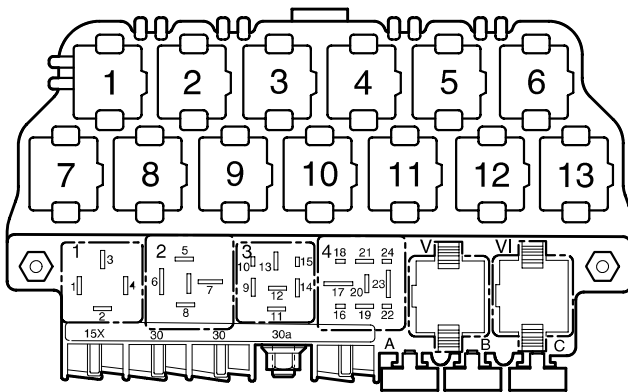


Comfort system (vehicles without power windows),

from September 1998

- Anti-theft warning system
- Central locking system with remote control
- Fuel tank lid unlock system
- Heated outside mirrors
- Interior lights
- Luggage compartment light
- Power sunroof
- Rear lid unlock system

Deviate relay location and fuseplacements as well as the locations of multiple connectors see section "component locations".



97-14163

Relay location on the thirteenfold auxiliary relay panel, above relay panel:

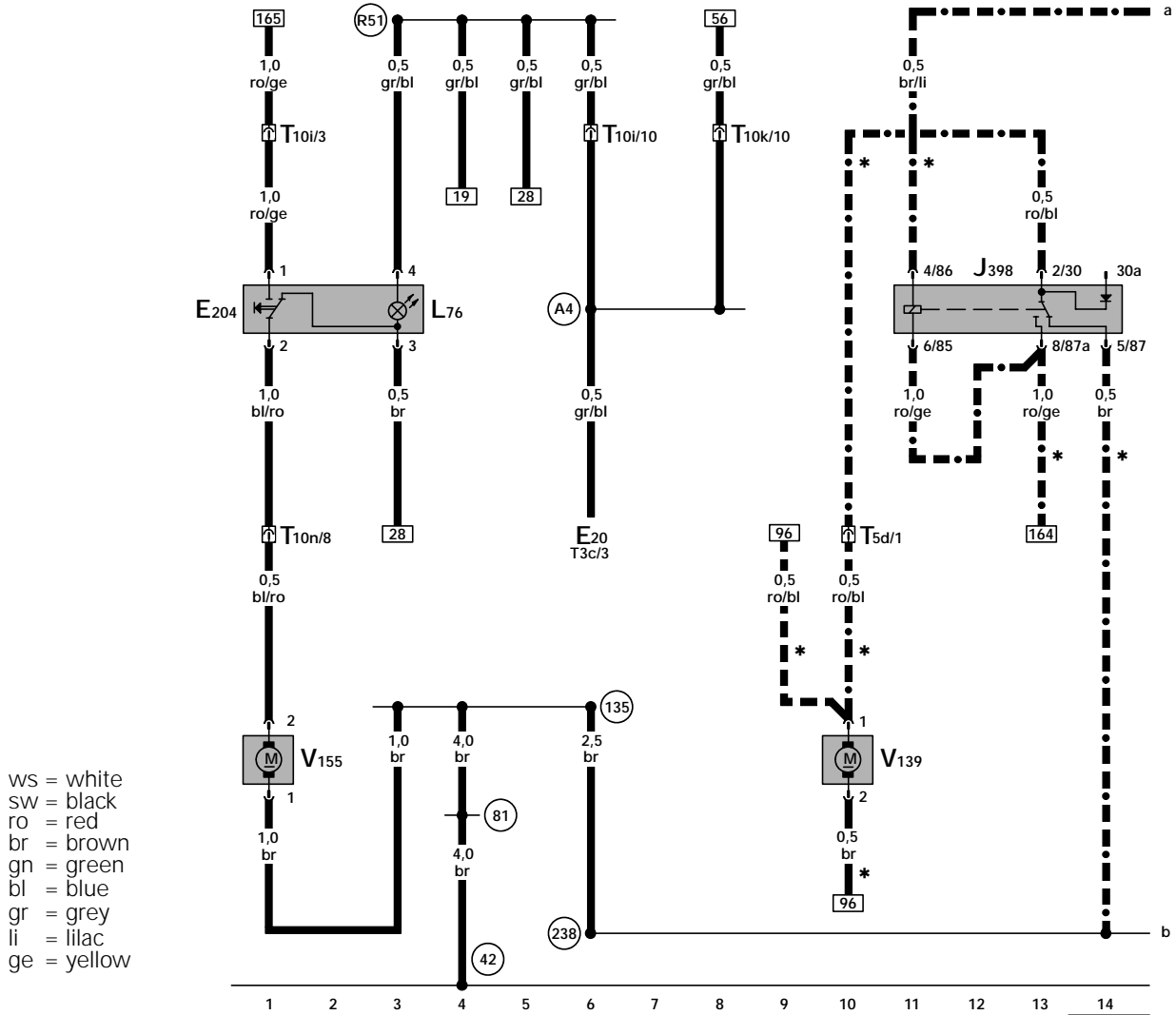
2 Relay for motor remote unlock rear lid (79)

Relay panel:

Note: Number in parentheses indicates production control number stamped on relay housing.

Fuse colors

- 30 A - green
- 25 A - white
- 20 A - yellow
- 15 A - blue
- 10 A - red
- 7,5 A - brown
- 5 A - beige
- 3 A - violet



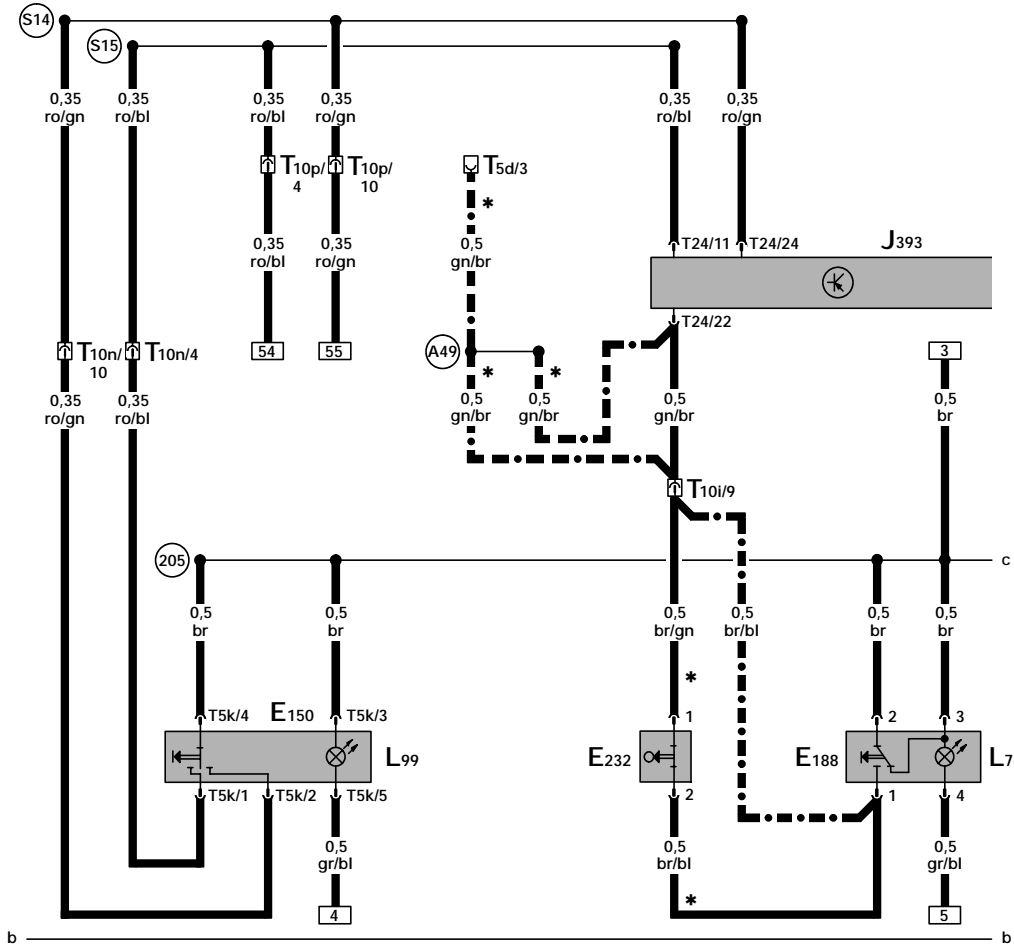
ws = white
 sw = black
 ro = red
 br = brown
 gn = green
 bl = blue
 gr = grey
 li = lilac
 ge = yellow

97-26583

- E20 - Instrument Panel Light Dimmer Switch
- E204 - Switch for remote/fuel tank door
- J398 - Relay for motor remote unlock rear lid, on the thirteenfold auxiliary relay panel, above relay panel (through January 1999)*
- L76 - Push Button Light
- T3c - 3-Pin Connector
- T5d - 5-Pin Connector, brown, connector station C-pillar, left
- T10i - 10-Pin Connector, black, connector station A-pillar, left
- T10k - 10-Pin Connector, black, connector station A-pillar, right
- T10n - 10-Pin Connector, brown, connector station A-pillar, left
- V139 - Motor to unlock rear lid*
- V155 - Motor for fuel tank lid unlock
- (42) - Ground connection, beside steering column
- (81) - Ground connection -1-, in instrument panel wiring harness
- (135) - Ground connection -2-, in instrument panel wiring harness
- (238) - Ground connection -1-, in wiring harness interior
- (A4) - Plus connection (58b), in instrument panel wiring harness
- (R51) - Connection (58b) in door wiring harness, driver side
- - Through January 1999
- * - Jetta only
- - - - Beginning February 1999



a - - - - - a

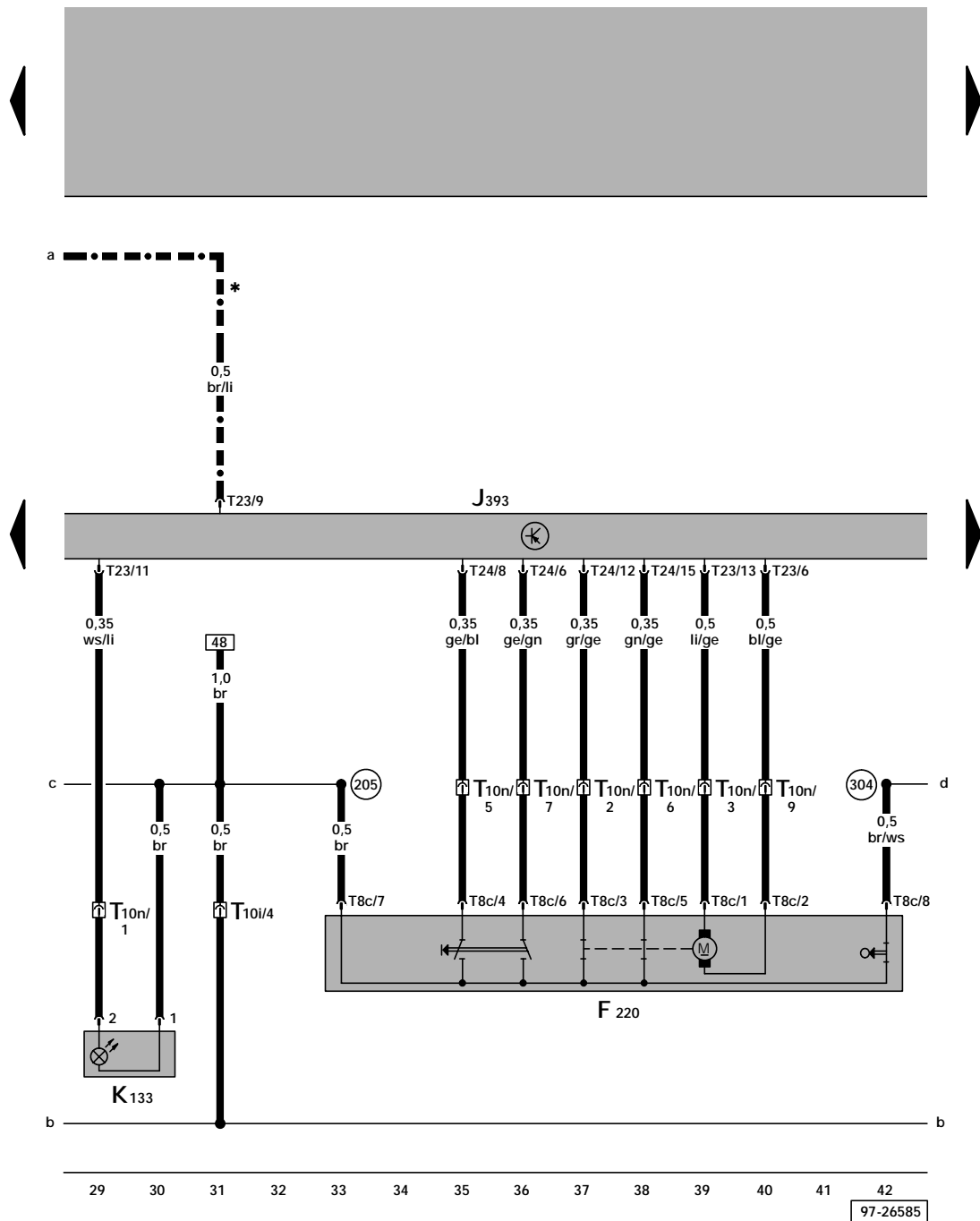


ws = white
 sw = black
 ro = red
 br = brown
 gn = green
 bl = blue
 gr = grey
 li = lilac
 ge = yellow

15 16 17 18 19 20 21 22 23 24 25 26 27 28
 97-26584

- E150 - Switch for interior lock, driver side
- E188 - Switch for remote unlock, rear lid, driver side
- E232 - Key switch for switching off remote unlock rear lid
- J393 - Central control module for comfort system, behind instrument panel, left
- L76 - Push Button Light
- L99 - Lighting for switch interior lock
- T5d - 5-Pin Connector, brown, connector station C-pillar, left
- T5k - 5-Pin Connector
- T10i - 10-Pin Connector, black, connector station A-pillar, left
- T10n - 10-Pin Connector, brown, connector station A-pillar, left
- T10p - 10-Pin Connector, brown, connector station A-pillar, right

- T24 - 24-Pin Connector
- (205) - Ground connection, in driver's door wiring harness
- (A49) - Wire connection -1-, in instrument panel wiring harness
- (S14) - Wire connection (open), in central locking system wiring harness
- (S15) - Wire connection (closed), in central locking system wiring harness
- - Through January 1999
- * - Jetta only
- - Golf only

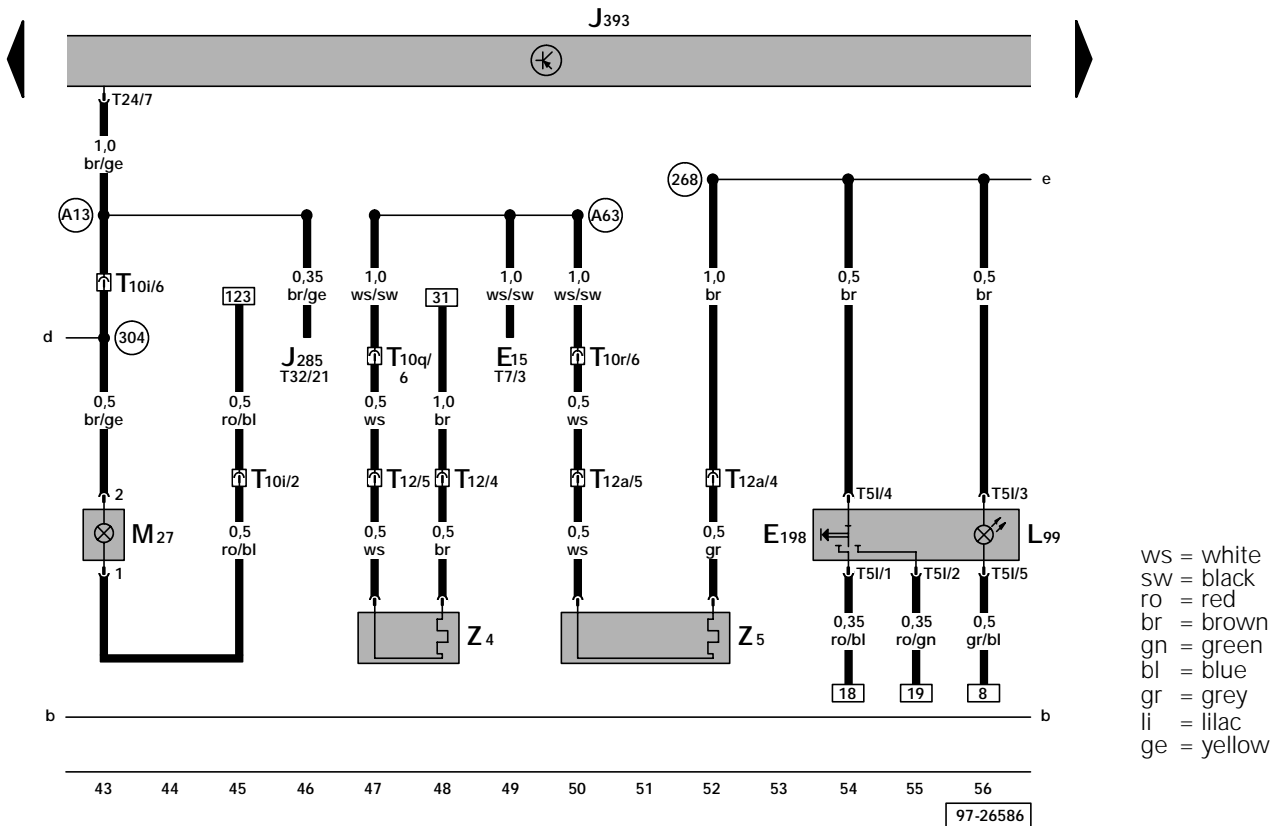


ws = white
 sw = black
 ro = red
 br = brown
 gn = green
 bl = blue
 gr = grey
 li = lilac
 ge = yellow

- F220 - Lock unit for central locking, driver side
- J393 - Central control module for comfort system, behind instrument panel, left
- K133 - Warning light for central locking -SAFE-
- T8c - 8-Pin Connector
- T10i - 10-Pin Connector, black, connector station A-pillar, left
- T10n - 10-Pin Connector, brown, connector station A-pillar, left
- T23 - 23-Pin Connector
- T24 - 24-Pin Connector

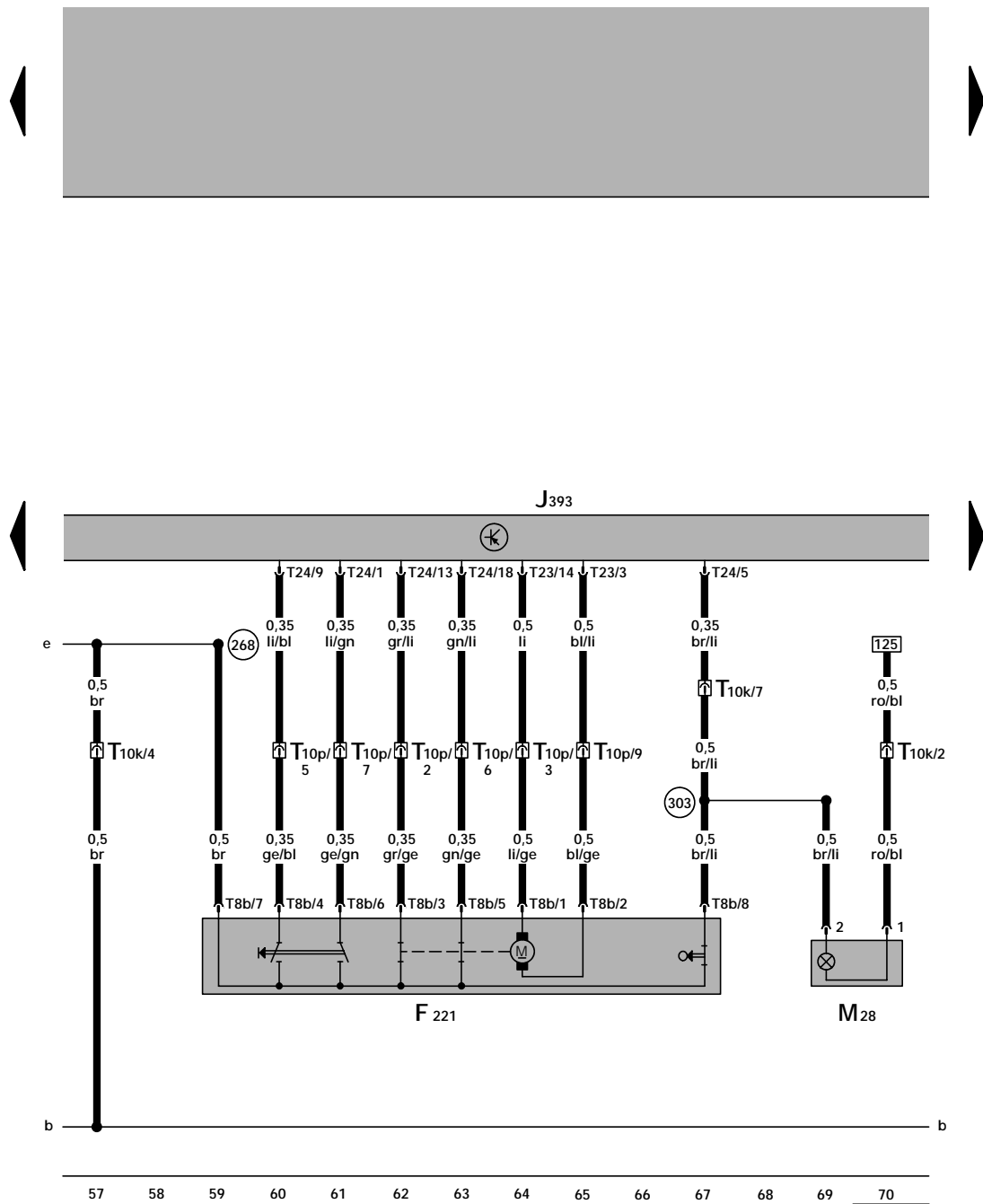
- (205) - Ground connection, in driver's door wiring harness
- (304) - Ground connector -3-, in wiring harness door cable - driver side

* - Jetta only
 -•-•- - Through January 1999



- E15 - Rear window defogger switch
- E198 - Switch for interior lock, passenger side
- J285 - Control module with indicator unit in instrument panel insert
- J393 - Central control module for comfort system, behind instrument panel, left
- L99 - Lighting for switch interior lock
- M27 - Left Door Warning Light
- T51 - 5-Pin Connector
- T7 - 7-Pin Connector
- T10i - 10-Pin Connector, black, connector station A-pillar, left
- T10q - 10-Pin Connector, blue, connector station A-pillar, left
- T10r - 10-Pin Connector, blue, connector station A-pillar, right

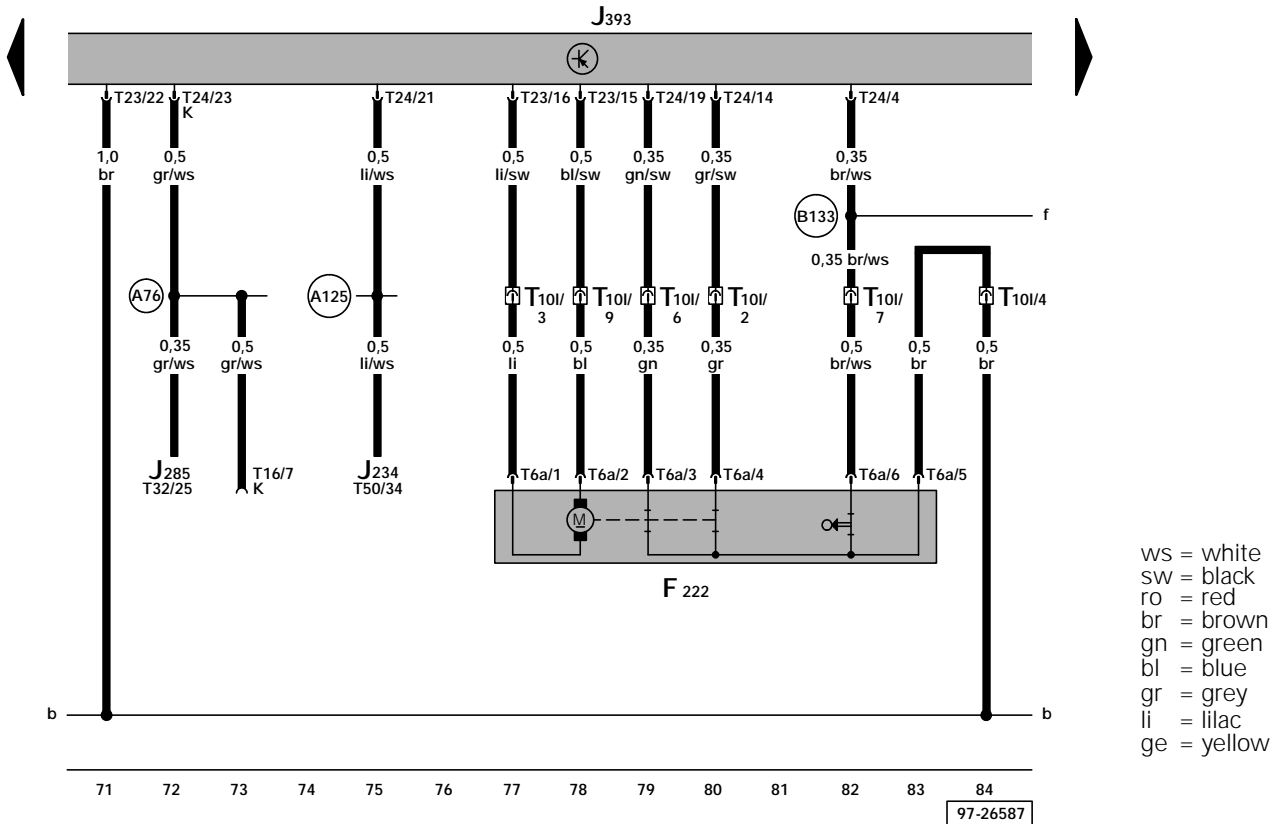
- T12 - 12-Pin Connector
- T12a - 12-Pin Connector
- T24 - 24-Pin Connector
- T32 - 32-Pin Connector, blue
- Z4 - Heated outside mirror, driver side
- Z5 - Heated outside mirror, passenger side
- (268) - Ground connector -2-, in wiring harness door cable - passenger side
- (304) - Ground connector -3-, in wiring harness door cable - driver side
- (A13) - Wire connection (door contact switch) in instrument panel wiring harness
- (A63) - Connector (mirror adjustment/-heated) in instrument panel wiring harness



ws = white
 sw = black
 ro = red
 br = brown
 gn = green
 bl = blue
 gr = grey
 li = lilac
 ge = yellow

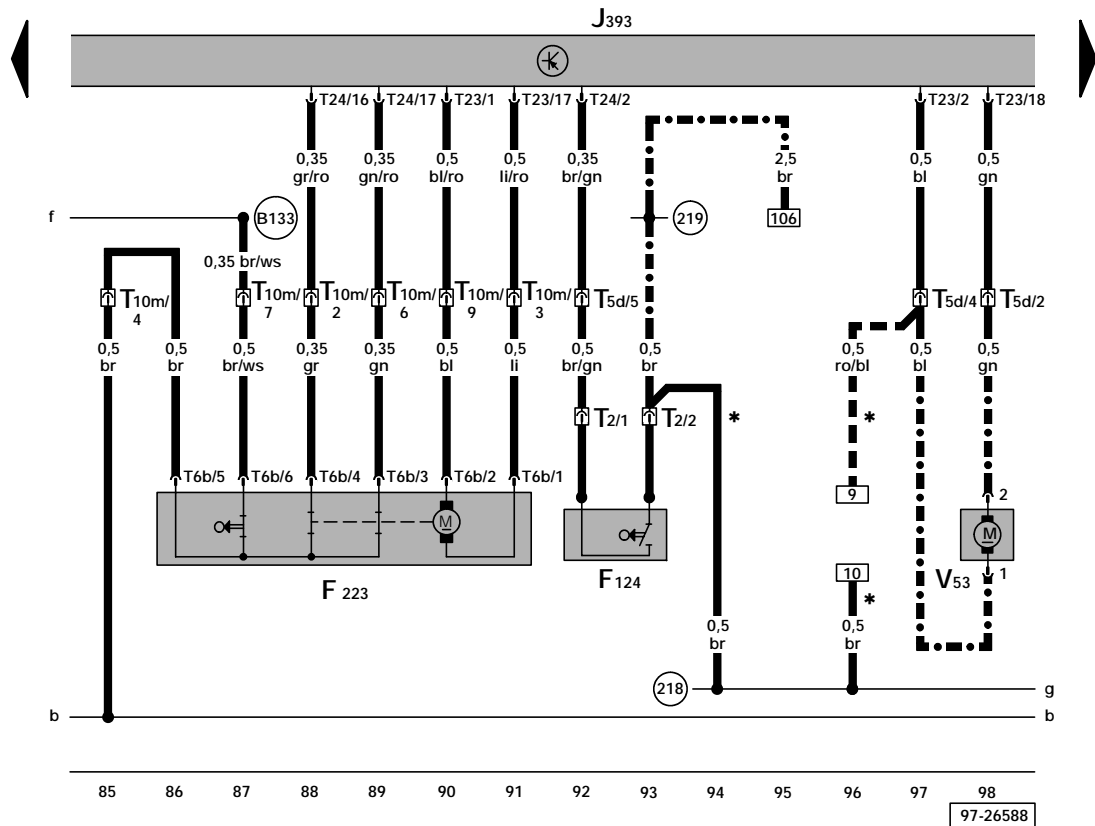
- F221 - Lock unit for central locking, passenger side
- J393 - Central control module for comfort system, behind instrument panel, left
- M28 - Right Door Warning Light
- T8b - 8-Pin Connector
- T10k - 10-Pin Connector, black, connector station A-pillar, right
- T10p - 10-Pin Connector, brown, connector station A-pillar, right
- T23 - 23-Pin Connector
- T24 - 24-Pin Connector

- (268) - Ground connector -2-, in wiring harness door cable - passenger side
- (303) - Ground connector -3-, in wiring harness door cable - passenger side



- F222 - Lock unit for central locking, rear, left
- J234 - Airbag Control Module, behind console, lower part
- J285 - Control module with indicator unit in instrument panel insert
- J393 - Central control module for comfort system, behind instrument panel, left
- T6a - 6-Pin Connector
- T10I - 10-Pin Connector, black, connector station B-pillar, left
- T16 - Data Link Connector (DLC), below instrument panel, left
- T23 - 23-Pin Connector
- T24 - 24-Pin Connector
- T32 - 32-Pin Connector, blue
- T50 - 50-Pin Connector

- (A76) - Connector (K-diagnosis wire) in instrument panel wiring harness
- (A125) - Connection (crash signal) in instrument panel wiring harness
- (B133) - Connector (central locking open), in wiring harness interior

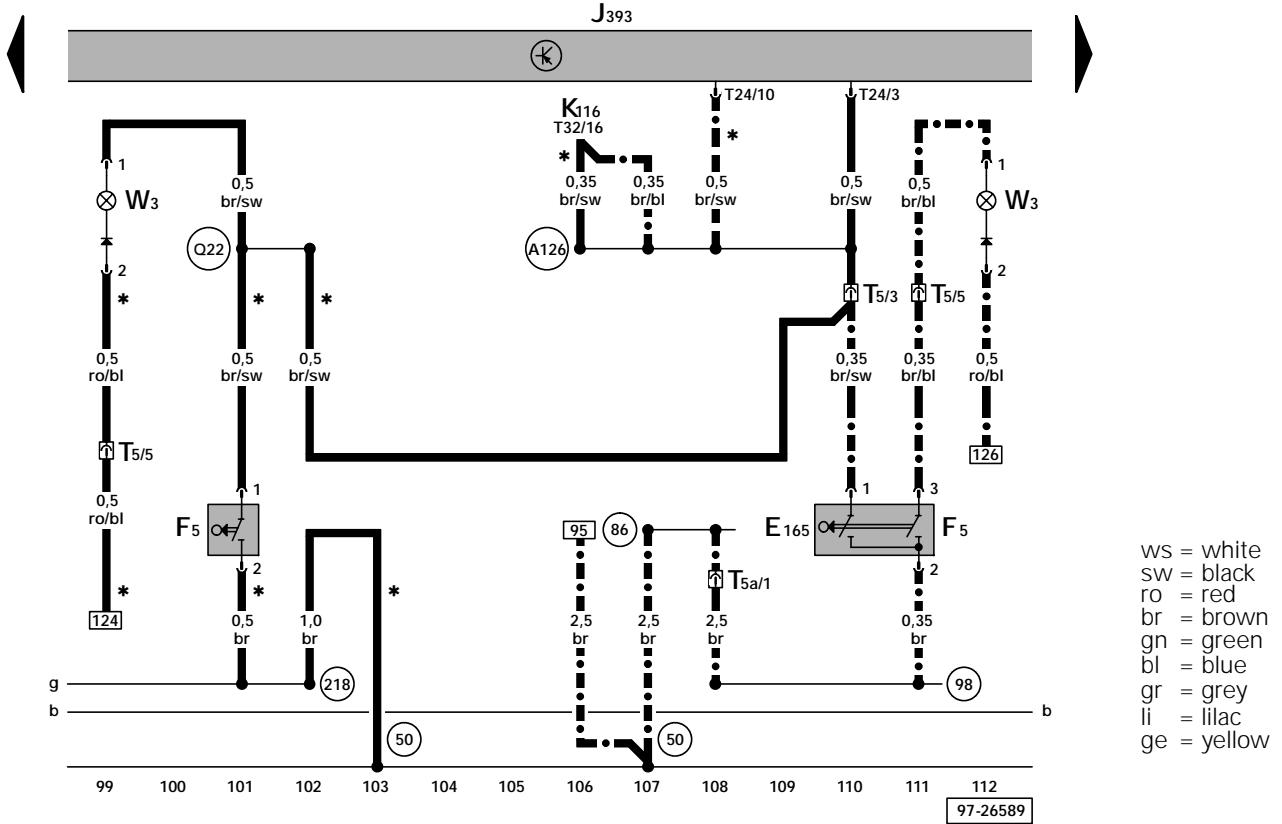


ws = white
 sw = black
 ro = red
 br = brown
 gn = green
 bl = blue
 gr = grey
 li = lilac
 ge = yellow

97-26588

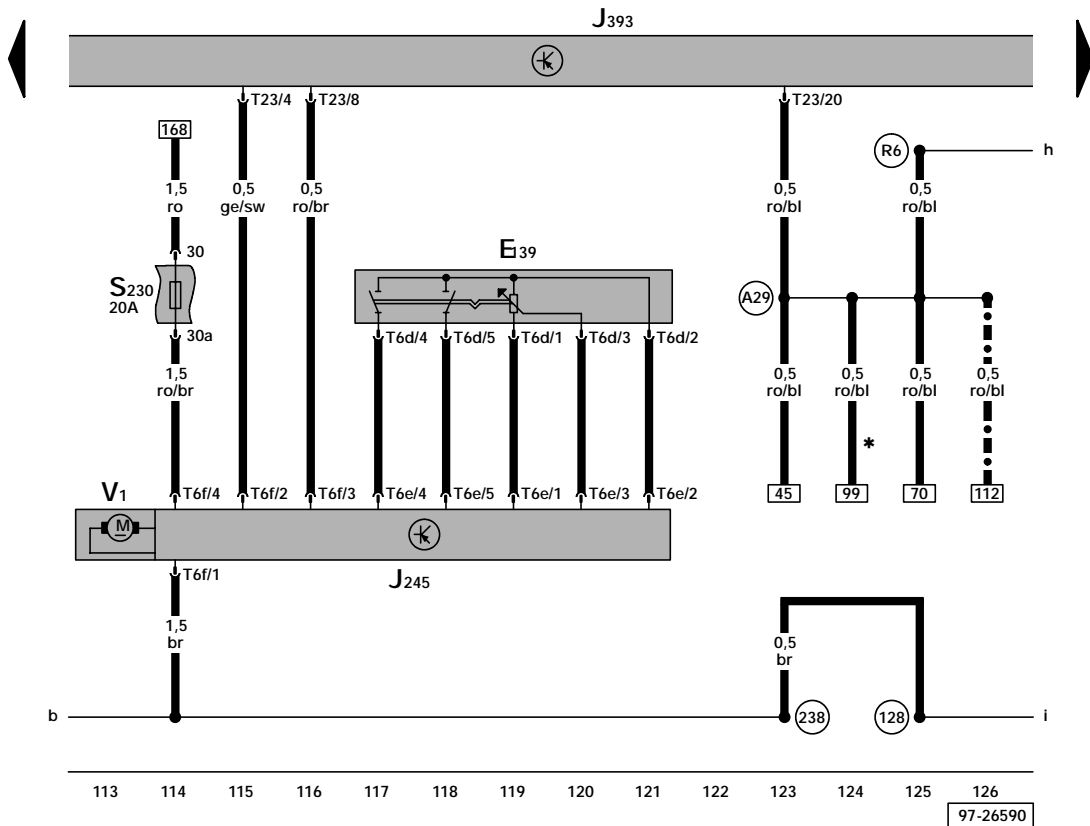
- F124 - Trunk Lock Alarm/Central Locking Switch
- F223 - Lock unit for central locking, rear, right
- J393 - Central control module for comfort system, behind instrument panel, left
- T2 - Double Connector, in rear lid
- T5d - 5-Pin Connector, brown, connector station C-pillar, left
- T6b - 6-Pin Connector
- T10m- 10-Pin Connector, black, connector station B-pillar, right
- T23 - 23-Pin Connector
- T24 - 24-Pin Connector
- V53 - Decklid Central Locking System Motor (Golf only)

- (218) - Ground connection -1-, in rear lid wiring harness
- (219) - Ground connection -2-, in rear lid wiring harness
- (B133) - Connector (central locking open), in wiring harness interior
- * - Jetta only
- - Beginning February 1999
- - Golf only



- E165 - Trunk Lid Release Switch
- F5 - Luggage Compartment Light Switch
- J393 - Central control module for comfort system, behind instrument panel, left
- K116 - Warning light for rear lid unlocked, in Instrument cluster
- T5 - 5-Pin Connector, black, connector station C-pillar, left
- T5a - 5-Pin Connector, pink, connector station C-pillar, left (Golf only)
- T24 - 24-Pin Connector
- T32 - 32-Pin Connector, blue, on Instrument cluster
- W3 - Luggage compartment Light
- (50) - Ground connection, in luggage compartment, left

- (86) - Ground connection -1-, in rear wiring harness
- (98) - Ground connection, in rear lid wiring harness
- (218) - Ground connection -1-, in rear lid wiring harness
- (A126) - Connection (contact switch in rear lid) in instrument panel wiring harness
- (Q22) - Wire connection -1-, in rear lid wiring harness
- .-.- - Through January 1999
- * - Jetta only
- - Golf only

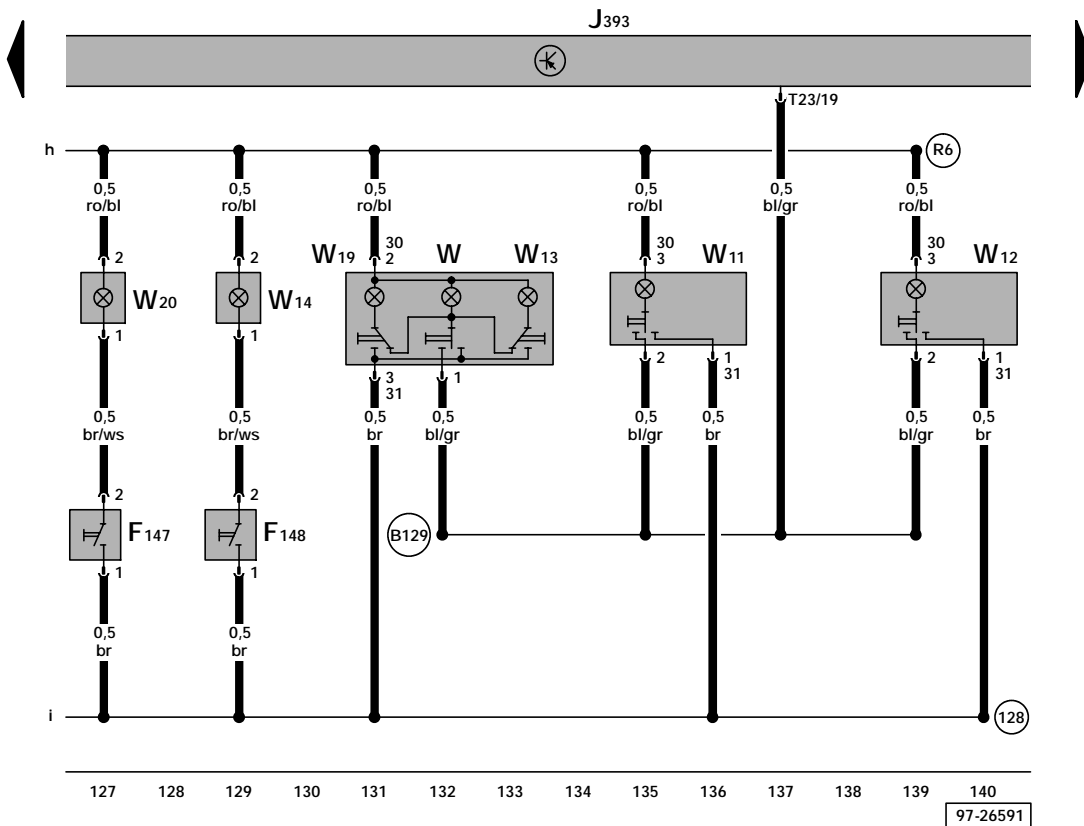


ws = white
 sw = black
 ro = red
 br = brown
 gn = green
 bl = blue
 gr = grey
 li = lilac
 ge = yellow

- E139 - Sunroof Regulator
- J245 - Power Sunroof Control Module
- J393 - Central control module for comfort system, behind instrument panel, left
- S230 - Fuse 30 in fuse holder
- T6d - 6-Pin Connector
- T6e - 6-Pin Connector
- T6f - 6-Pin Connector
- T23 - 23-Pin Connector
- V1 - Sunroof Motor

- (A29) - Wire connection (interior light), in instrument panel wiring harness
- (R6) - Plus connection -1-, in interior light wiring harness
- * - Jetta only
- Golf only

- (128) - Ground connection -1-, in interior light wiring harness
- (238) - Ground connection -1-, in wiring harness interior

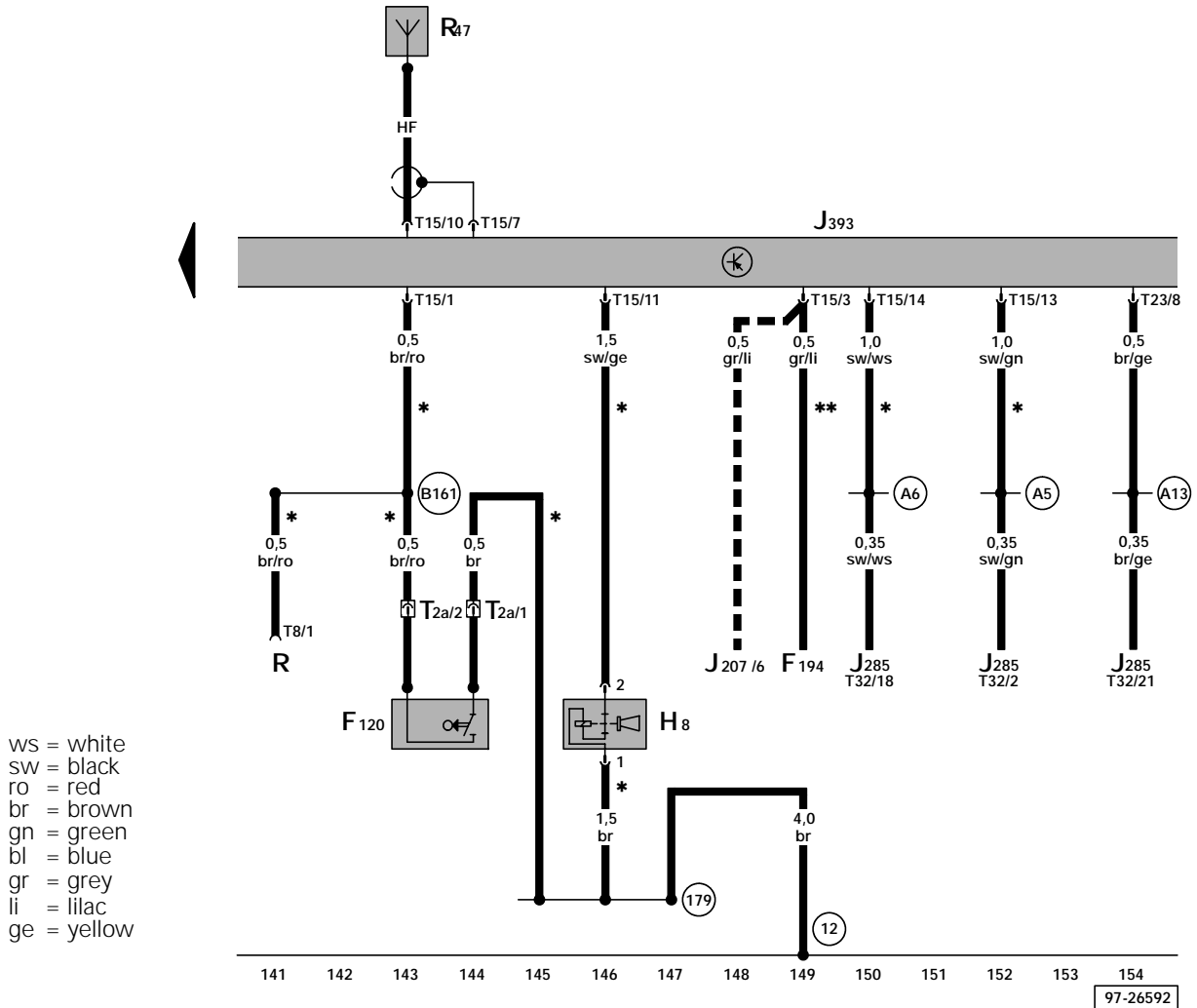


ws = white
 sw = black
 ro = red
 br = brown
 gn = green
 bl = blue
 gr = grey
 li = lilac
 ge = yellow

- F147 - Left Make-Up Mirror Light Switch
- F148 - Right Make-Up Mirror Light Switch
- J393 - Central control module for comfort system, behind instrument panel, left
- W - Front Interior Light
- W11 - Left Rear Reading Light
- W12 - Right Rear Reading Light
- W13 - Right Front Map/Reading Light
- W14 - Right Make-up Mirror Light
- W19 - Left Front Reading Light
- W20 - Left Make-up Mirror Light
- T23 - 23-Pin Connector

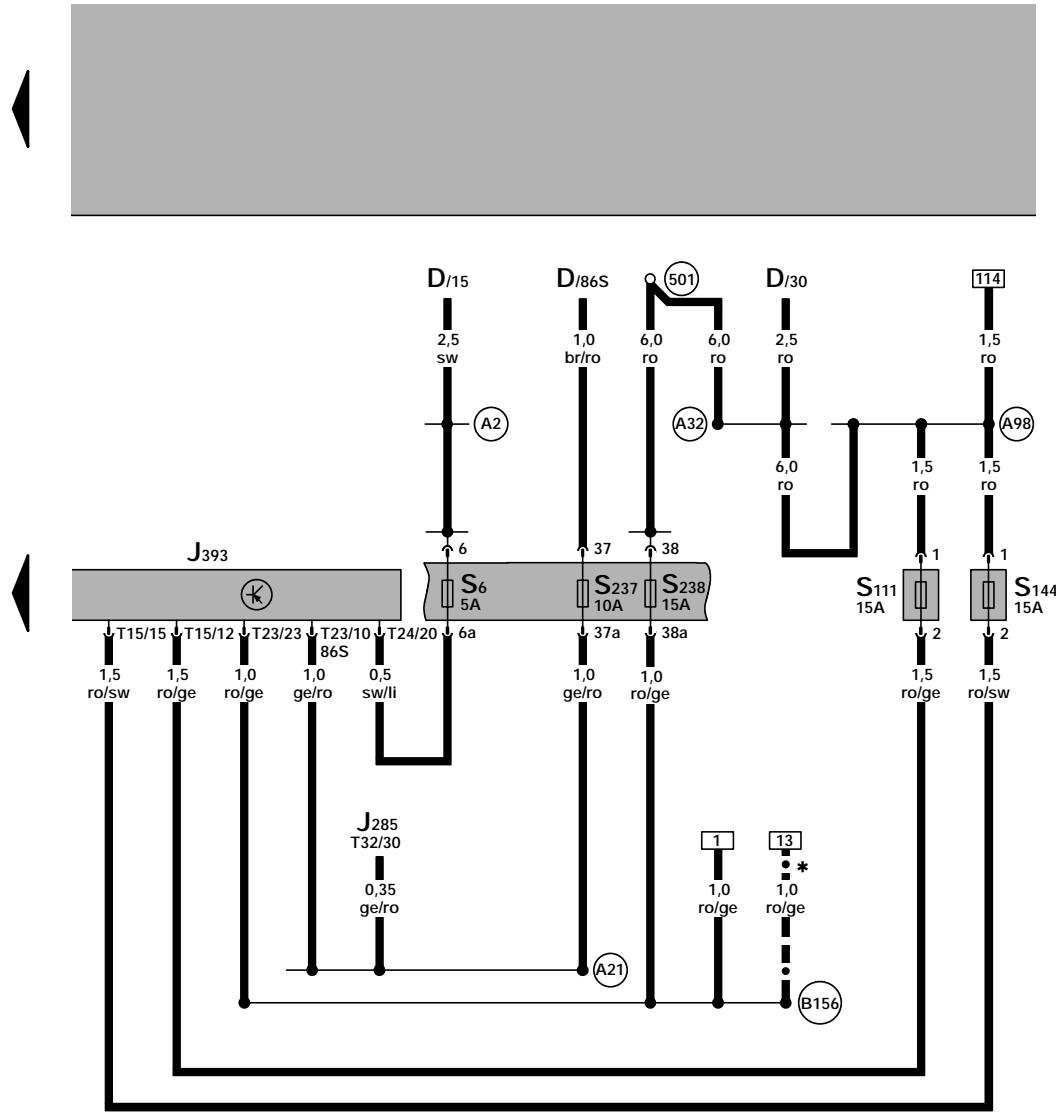
- (B129) - Connector (interior light 3/L) in wiring harness interior
- (R6) - Plus connection -1-, in interior light wiring harness

- (128) - Ground connection -1-, in interior light wiring harness



- F120 - Hood Alarm Switch*
- F194 - Clutch Pedal Position (CPP) Switch**
- H8 - Alarm Horn*
- J207 - Starting Interlock Relay
- J285 - Control module with indicator unit in instrument panel insert
- J393 - Central control module for comfort system, behind instrument panel, left
- R - Radio
- R47 - Antenna wire for central locking and antitheft warning system
- T2a - Double Connector, near headlight, right
- T8 - 8-Pin Connector, on radio
- T15 - 15-Pin Connector
- T23 - 23-Pin Connector
- T32 - 32-Pin Connector, blue, on Instrument cluster

- (12) - Ground connection, in engine compartment, left
- (179) - Ground connection, in left headlight wiring harness
- (A5) - Plus connection (right turn signal), in instrument panel wiring harness
- (A6) - Plus connection (left turn signal), in instrument panel wiring harness
- (A13) - Wire connection (door contact switch) in instrument panel wiring harness
- (B161) - Connector (anti-theft warning system), in wiring harness interior
- * - Vehicles with anti-theft warning system only
- ** - Manual transmission only
- - - - Automatic transmission only



ws = white
 sw = black
 ro = red
 br = brown
 gn = green
 bl = blue
 gr = grey
 li = lilac
 ge = yellow

155 156 157 158 159 160 161 162 163 164 165 166 167 168
 97-26593

- D - Ignition/Starter Switch
- J285 - Control module with indicator unit in instrument panel insert
- J393 - Central control module for comfort system, behind instrument panel, left
- S6 - Fuse 6 in fuse holder
- S111 - Alarm System and Anti-Theft Fuse, above the thirteenfold auxiliary relay panel
- S144 - Fuse for central locking/anti-theft warning system, above the thirteenfold auxiliary relay panel
- S237 - Fuse 37 in fuse holder
- S238 - Fuse 38 in fuse holder
- T15 - 15-Pin Connector
- T23 - 23-Pin Connector
- T24 - 24-Pin Connector

- T32 - 32-Pin Connector, blue
- (501) - Threaded connection -2- (30) on the relay plate
- (A2) - Plus connection (15), in instrument panel wiring harness
- (A21) - Wire connection (86s), in instrument panel wiring harness
- (A32) - Plus connection (30), in instrument panel wiring harness
- (A98) - Plus connector -4- (30), in instrument panel wiring harness
- (B156) - Plus connector (30a), in wiring harness interior
- * - Jetta only
- - Through January 1999