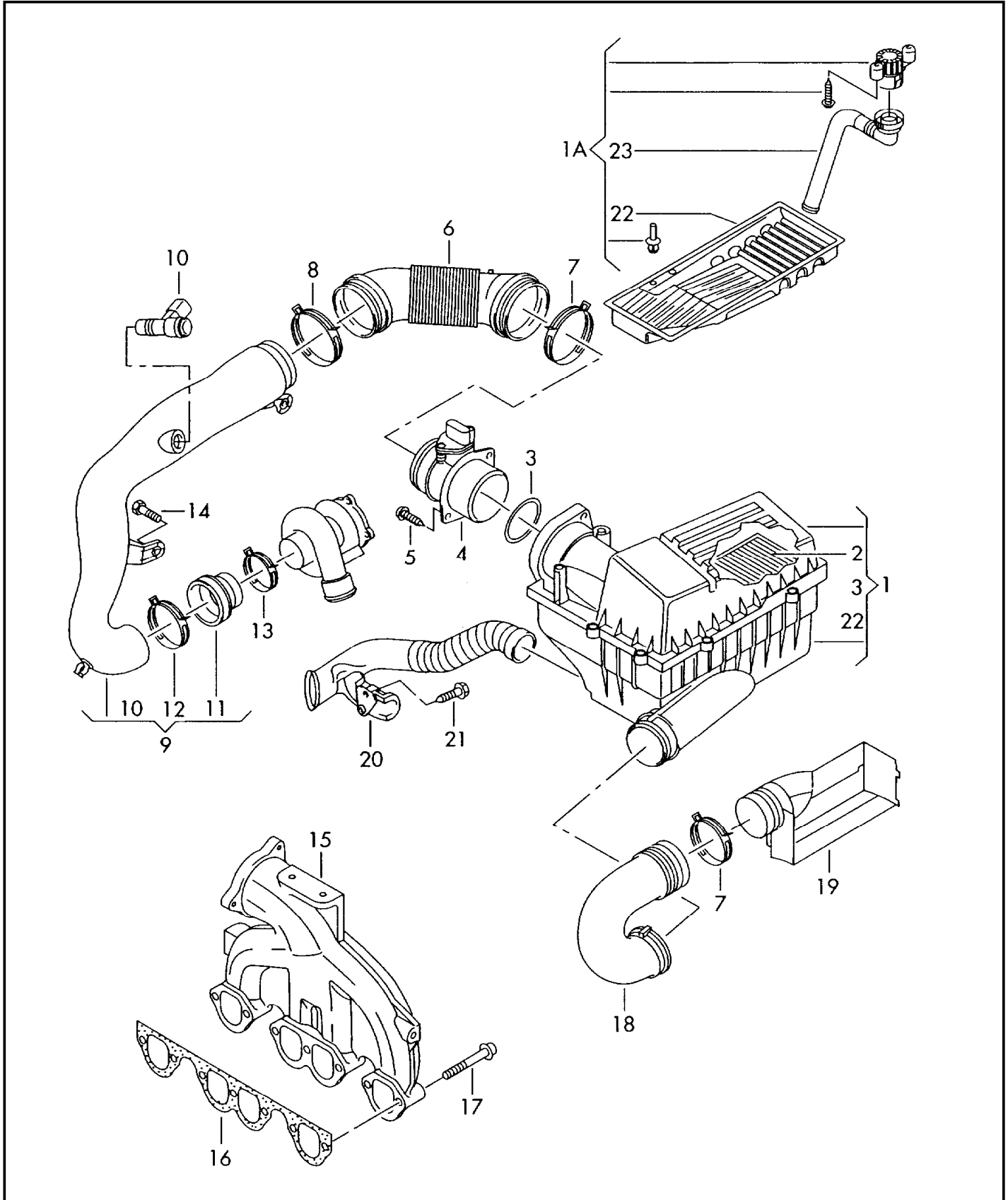




ETKA

Model	Year	MG	SG	Illustration	Restrictions	UPD	5:15	28.02.2007
JE	2007	1	29	129-30	Jetta	623	OTHER	





ETKA

Model	Year	MG	SG	Illustration	Restrictions	UPD	5:15	28.02.2007
JE	2007	1	29	129-30	Jetta	623	OTHER	

Pos	Part Number	Name	Remarks	Qty	Model
		intake manifold air cleaner with connecting parts	1.9ltr.		diesel eng.+ BKC,BLS,BXE
1	3C0 129 607 AD	air cleaner			
		as required use: F >> 1K-6-899 000*	3C0 129 637 B	1 1	
(1)	3C0 129 607 BA	air cleaner			
		as required use: F 1K-7-000 001>>*	3C0 129 637 B	1 1	
(1)	3C0 129 607 AE	air cleaner for vehicle use in cold countries			
		as required use: F >> 1K-6-899 000*	3C0 129 637 B	1 1	
(1)	3C0 129 607 BB	air cleaner for vehicle use in cold countries			
		as required use: F 1K-7-000 001>>*	3C0 129 637 B	1 1	
2	b 1K0 129 620 D	air cleaner element		1	
(2)	b 1K0 129 620 E	air cleaner element for vehicle use in cold countries		1	
3	028 129 646	sealing washer	69X6	1	
4	>038 906 461 B	mass air flow sensor		1	
(4)	#038 906 461 BX	mass air flow sensor		1	
5	+ N 901 720 01	tapping screw, fill. hd.	5X22		
		F >> 1K-6-899 000*		2	
(5)	N 901 720 03	screw, hex. hd.	5X22		
		F 1K-7-000 001>>*		2	
6	1K0 129 684 B	connecting pipe		1	
7	N 102 960 01	clamp	75X12	2	
8	N 102 960 01	clamp	75X12	1	
9	1K0 129 654 AA	intake hose			
		F >> 1K-6-899 000*		1	BKC,BXE
(9)	1K0 129 654 AD	intake hose			
		F 1K-7-000 001>>*		1	BKC,BXE
(9)	3C0 129 654 M	intake hose		1	BLS
(9)	1K0 129 654 AB	intake hose for vehicle use in cold countries			
		F >> 1K-6-899 000*		1	BKC,BXE



ETKA

Model	Year	MG	SG	Illustration	Restrictions	UPD	5:15	28.02.2007
JE	2007	1	29	129-30	Jetta	623	OTHER	

Pos	Part Number	Name	Remarks	Qty	Model
(9)	1K0 129 654 AG	intake hose for vehicle use in cold countries F 1K-7-000 001>>*		1	BKC,BXE
(9)	3C0 129 654 N	intake hose for vehicle use in cold countries		1	BLS
10	1J0 906 391 B	heater pipe for vehicle use in cold countries		1	
11	1J0 129 627 D	intake hose F >> 1K-6-899 000*		1	BKC,BXE
(11)	1K0 129 627 B	intake hose F 1K-7-600 001>>*		1	BKC,BXE
12	N 906 562 01	spring clip	70X12	1	
13	N 906 560 01	spring clip	55X12	1	
14	N 101 894 03	bolt, hex. hd. (combi.)	M6X25Z2	2	
15	03G 129 713 C	intake manifold		1	BKC,BXE
(15)	03G 129 713 K	intake manifold		1	BLS
16	028 129 717 D	gasket		1	
17	N 902 006 04	bolt, with hex. socket hd. (combi.)	M8X45	6	BKC,BXE
(17)	N 902 006 04	bolt, with hex. socket hd. (combi.)	M8X45	6	BLS
18	1K0 129 618 AE	intake air duct		1	BKC,BXE
(18)	1K0 129 618 AT	intake air duct		1	BLS
19		see illustration:	805-00		
20	1K0 129 565 C	intake pipe for vehicle use in cold countries		1	BKC,BXE
(20)	3C0 129 565 B	intake pipe for vehicle use in cold countries		1	BLS
21	N 101 579 02	screw, hex. hd.	M6X25	1	BKC,BXE
(21)	N 909 936 01	hexagon socket head bolt, self-locking		X	BLS
22	3C0 129 668	grille for air cleaner		1	



ETKA

Model	Year	MG	SG	Illustration	Restrictions	UPD	5:15	28.02.2007
JE	2007	1	29	129-30	Jetta	623	OTHER	

Pos	Part Number	Name	Remarks	Qty	Model
(22)	3C0 129 668 A	grille for air cleaner for vehicle use in cold countries	MANN U. HUMMEL	1	
23	3C0 129 637 B	water pipe		1	