
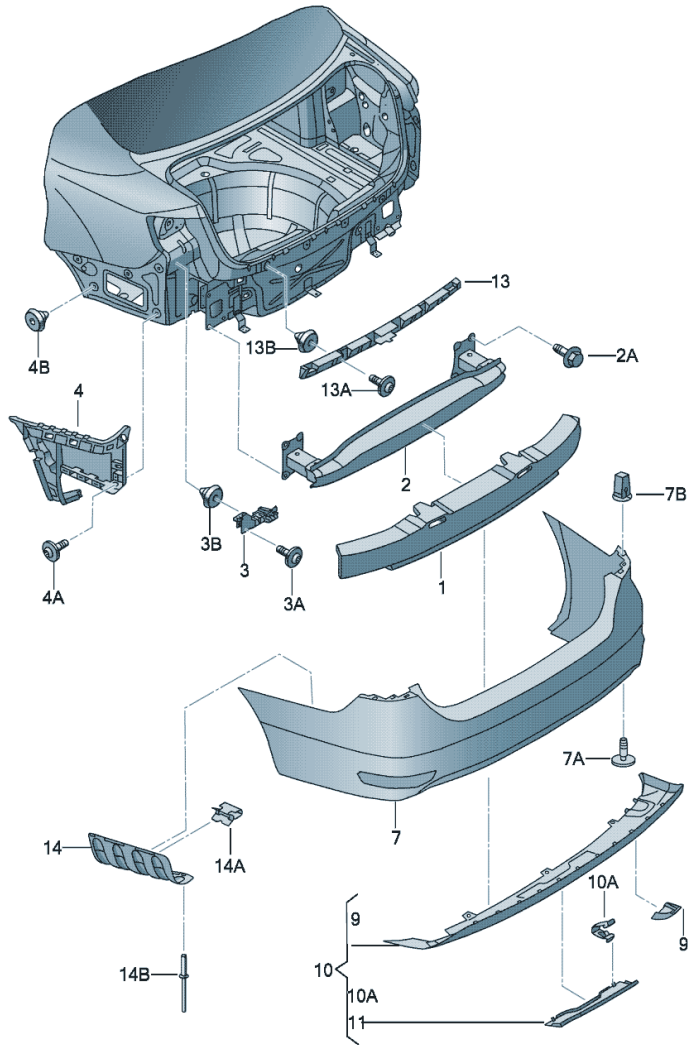



Model	Year	MG	SG	Illustration	Restrictions	UPD	19:14	28.05.2013		ETKA
JE	2013	8	07	807-50		963				



Pos	Part Number	Name	Remark	Qty	Model
		bumper	rear		
1	5C6 807 251	foam insert D >> - 31.07.2011	rear	1	
(1)	5C6 807 251 B	foam insert D - 01.08.2011>>	rear	1	
(1)	5C6 807 251 B	foam insert	rear	1	
(1)	5C6 807 251 A	foam insert	rear	1	
2	5C6 807 305	bumper	rear	1	PR-5C0.5C7
(2)	5C6 807 305 A	bumper D >> - 30.06.2011	rear	1	PR-5C1
(2)	5C6 807 305 B	bumper D - 01.07.2011>>	rear	1	
(2)	5C6 807 305 B	bumper	rear	1	
2A	N 019 530 6	bolt, hex. hd. with shoulder	M8X25	6	
3	5C6 807 393 A	guide piece	left rear	1	
(3)	5C6 807 394 A	guide piece	right rear	1	
3A	N 103 546 02	hexagon socket head panel bolt	5X16Z2	6	
3B	N 106 213 01	expanding nut	5X13,2	6	
4	5C6 807 393	guide piece	left rear	1	
(4)	5C6 807 394	guide piece	right rear	1	
4A	N 103 546 02	hexagon socket head panel bolt	5X16Z2	10	
4B	N 106 213 01	expanding nut	5X13,2	10	
7	5C6 807 418 A	cover for bumper	rear	1	PR-5C1
	04/10-07/11GRU	primed			
(7)	5C6 807 418 A	cover for bumper	rear	1	PR-5C1
	07/11 GRU	primed			
(7)	5C6 807 417	cover for bumper	rear	1	PR-5C0, 5C7 7X2
	04/10 GRU	primed			
(7)	5C6 807 421	cover for bumper	rear	1	PR-5C0, 7X0
	10/10 GRU	primed			

Model	Year	MG	SG	Illustration	Restrictions	UPD	19:14	28.05.2013		ETKA
JE	2013	8	07	807-50		963				

Pos	Part Number	Name	Remark	Qty	Model	Pos	Part Number	Name	Remark	Qty	Model
(7)	5C6 807 421	cover for bumper	rear	1	PR-5C7,7X0	14	5C6 825 715	heat protection plate for bumper	left rear lower	1	
	03/11 GRU	primed									
(7)	5C6 807 421	cover for bumper	rear	1	PR-A8H.5C0 5C1	14A	N 911 467 01	clamp	4X18,8	3	
	03/11 GRU	primed				14B	N 903 463 01	pop-rivet	4X19X8	3	
7A	N 103 546 02	hexagon socket head panel bolt	5X16Z2	20							
7B	6N0 809 966 A	expanding nut	M6X12	3							
9	5C6 807 441	cover for towing eye		1	PR-5C1						
	04/10 GRU	primed									
(9)	5C6 807 441 A	cover for towing eye		1	PR-5C0						
	10/10 9B9	satin black									
(9)	5C6 807 441 B	cover for towing eye	'GLI'	1							
	03/11 9B9	satin black									
(9)	5C6 807 441 C	cover for towing eye	'HIBRYD'	1							
	07/12 9B9	satin black									
10	5C6 807 433	spoiler		1	PR-1D0						
(10)	5C6 807 433 A	spoiler		1	PR-1D2						
(10)	5C6 807 433 B	spoiler		1	PR-1D2						
(10)	5C6 807 433 C	spoiler		1	PR-1D0						
(10)	5C6 807 433 D	spoiler	'GLI'	1							
(10)	5C6 807 433 E	spoiler	'HIBRYD'	1							
10A	1K0 867 388 A	clamp		X							
11	5C6 807 397	cover for vehicles with detachable towing attachment (ball type)		1	PR-1D2						
	10/10 9B9	satin black									
13	5C6 807 863	attachment strip bumper	rear center	1							
13A	N 103 546 02	hexagon socket head panel bolt	5X16Z2	4							
13B	N 106 213 01	expanding nut	5X13,2	4							