
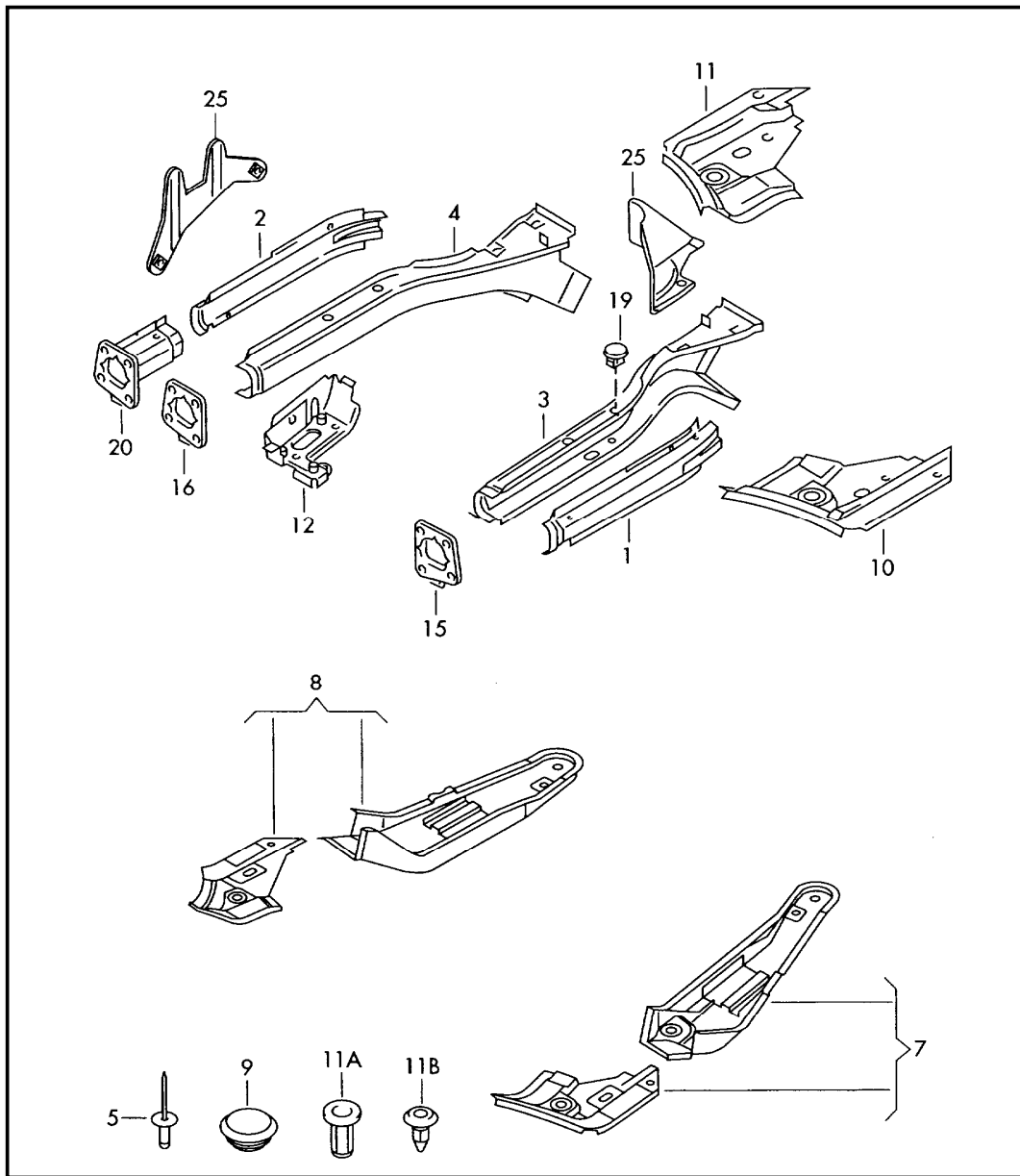




Model	Year	MG	SG	Illustration	Restrictions	UPD	21:55	11.12.2006		ETKA
PA	2005	8	03	803-10		597	USA			

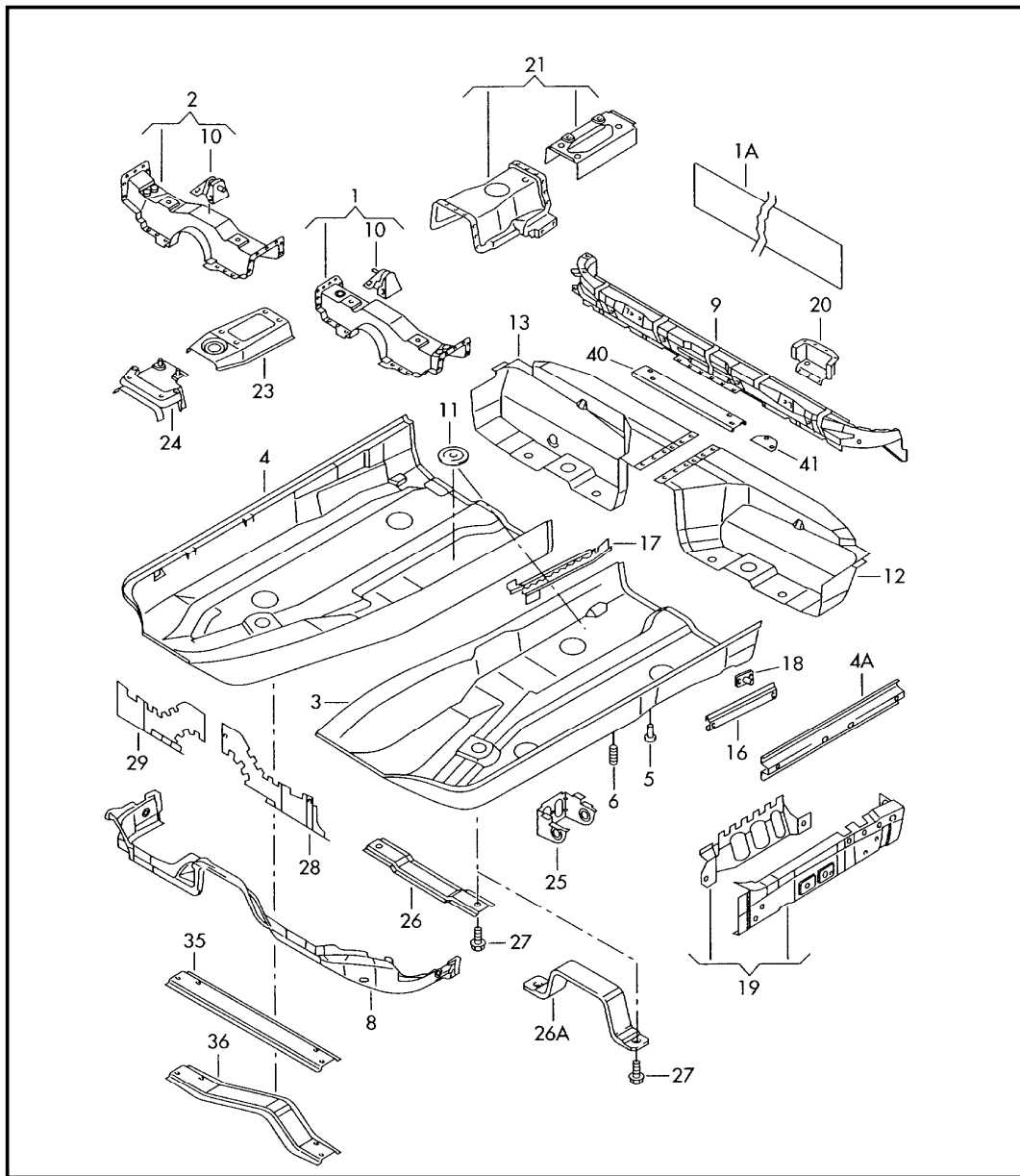


Pos	Part Number	Name	Remarks	Qty	Model
		side member	front		
-	000 800 981	sheet metal plate	200X1500X0,8	1	
-	000 800 981 A	sheet metal plate	300X1500X0,8	1	
-	000 800 981 B	sheet metal plate	500X1500X0,8	1	
-	000 800 981 C	sheet metal plate	800X1500X0,8	1	
1	8D0 802 157 A	filler plate for side member	left front	1	
2	8D0 802 158 A	filler plate for side member	right front	1	
3	8D0 803 103	side member	left front	1	
4	8D0 803 104	side member	right front	1	
5 +	N 905 344 03	pop-rivet	A4,8X9	X	
7	8D0 803 109 A	side member	front left rear	1	
8	8D0 803 110 A	side member	front right rear	1	
9	893 803 593	drain tube grommet	19,8	2	
11	8D0 802 172 C	mounting plate	right	1	
11A +	N 906 481 01	rivetted cap nut	M6/0,7-3B	1	
11B +	N 908 214 01	expanding nut	D4,8	2	
(12)	8D0 803 117	reinforcement for side member	left	1	
12	8D0 803 118 A	reinforcement for side member	right	1	
		also use:	7M0 804 198	1	
-	7M0 804 198	weld nut	M8	1	
-	811 803 593	plug	46X30	2	
15	8D0 805 747	buffer mounting	left	1	
16	8D0 805 748	buffer mounting	right	1	
19	893 803 593 A	plug	20	X	
(20)	8D0 803 103 A	sectional part-side member	left front	1	
20	8D0 803 104 A	sectional part-side member	right front	1	


Model	Year	MG	SG	Illustration	Restrictions	UPD	21:55	11.12.2006		ETKA
PA	2005	8	03	803-10		597	USA			

Pos	Part Number	Name	Remarks	Qty	Model	Pos	Part Number	Name	Remarks	Qty	Model
25		see illustration:	805-00								


Model	Year	MG	SG	Illustration	Restrictions	UPD	21:56	11.12.2006		ETKA
PA	2005	8	03	803-30		597	USA			

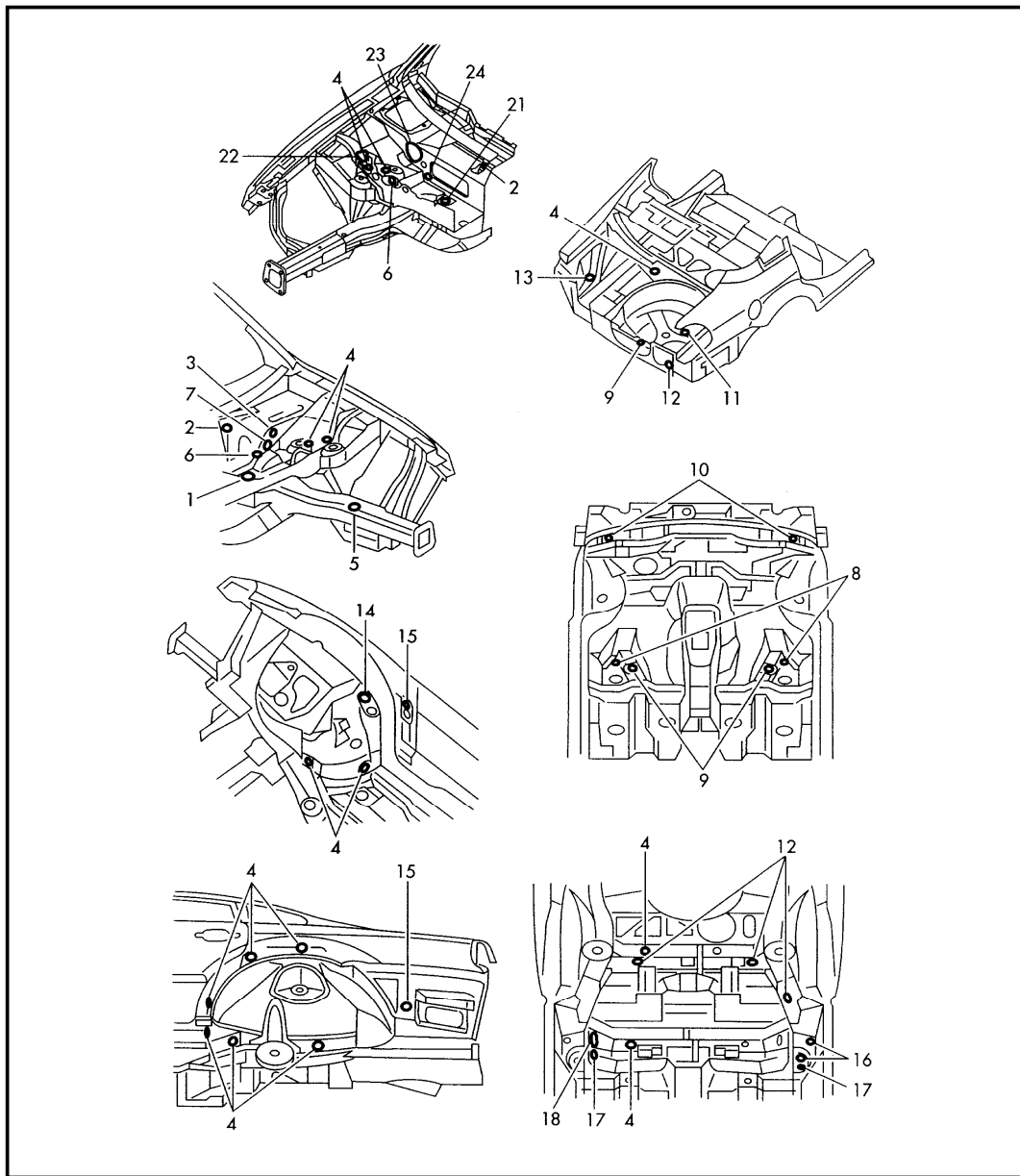


Pos	Part Number	Name	Remarks	Qty	Model
		floor assembly	front		
1A	000 800 981	sheet metal plate	200X1500X0,8	1	
1A	000 800 981 A	sheet metal plate	300X1500X0,8	1	
1A	000 800 981 B	sheet metal plate	500X1500X0,8	1	
1A	000 800 981 C	sheet metal plate	800X1500X0,8	1	
1	8E0 803 173	seat support	left	1	
2	8E0 803 174	seat support	right	1	
3	8E0 803 205	floor pan	left front	1	
4	8E0 803 206	floor pan	right front	1	
4A	3B0 804 243	reinforcement for side member		2	
5	N 901 495 02	t-bolt	5X10	1	
6	N 902 316 01	welded pin	FD-5X25	*	
8	3B7 803 141	cross member		1	
12	3B0 802 085 D	rear apron	left	1	sedan
(12)	3B0 802 085 E	rear apron	left	1	WAGON
13	3B0 802 086 D	rear apron	right	1	sedan
(13)	3B0 802 086 E	rear apron	right	1	WAGON
(16)	1J0 802 259	channel	left outer	1	
16	1J0 802 260	channel	right outer	1	
16	443 803 253	channel	outer	2	
17	3B0 803 251	channel	left inner	1	
(17)	3B0 803 252	channel	right inner	1	
(17)	8E0 803 251	channel	left inner	1	
(17)	8E0 803 252	channel	right inner	1	
23	3B0 803 977	mounting for shift mechanism		1	


Model	Year	MG	SG	Illustration	Restrictions	UPD	21:56	11.12.2006		ETKA
PA	2005	8	03	803-30		597	USA			

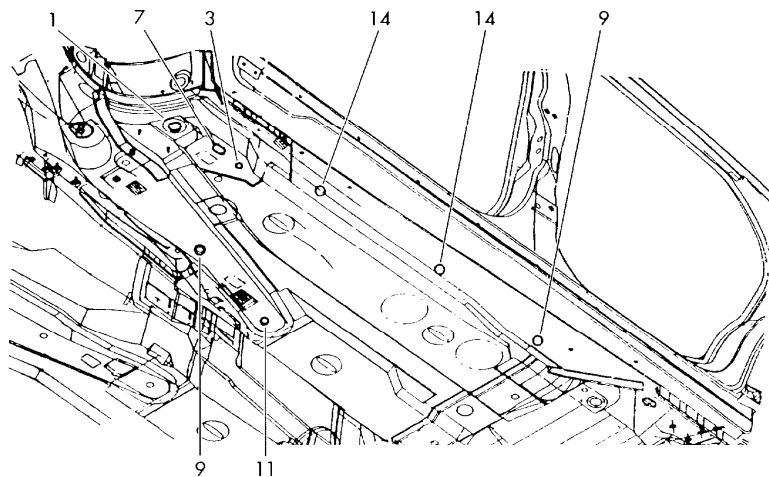
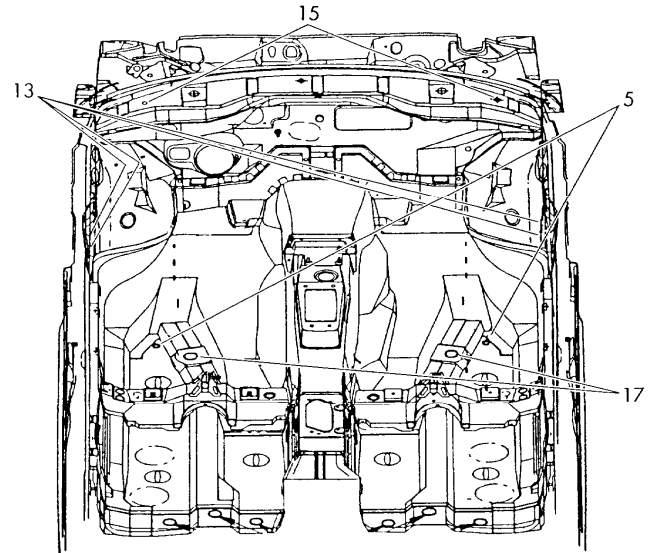
Pos	Part Number	Name	Remarks	Qty	Model	Pos	Part Number	Name	Remarks	Qty	Model
26	8D0 804 813 E	reinforcement for tunnel	lower	1							
26A	8D0 804 813 J	reinforcement for tunnel		1							
(27)	N 104 605 01	screw, hex. hd.	M10X18	2							
27 +	N 010 238 20	screw, hex. hd.	M8X15	2							
28	8D0 805 501	filler plate	left	1							
29	8D0 805 502 A	filler plate for vehicles with air condit.	right lhd	1							

Model	Year	MG	SG	Illustration	Restrictions	UPD	21:56	11.12.2006		ETKA
PA	2005	8	03	803-35		597	USA			




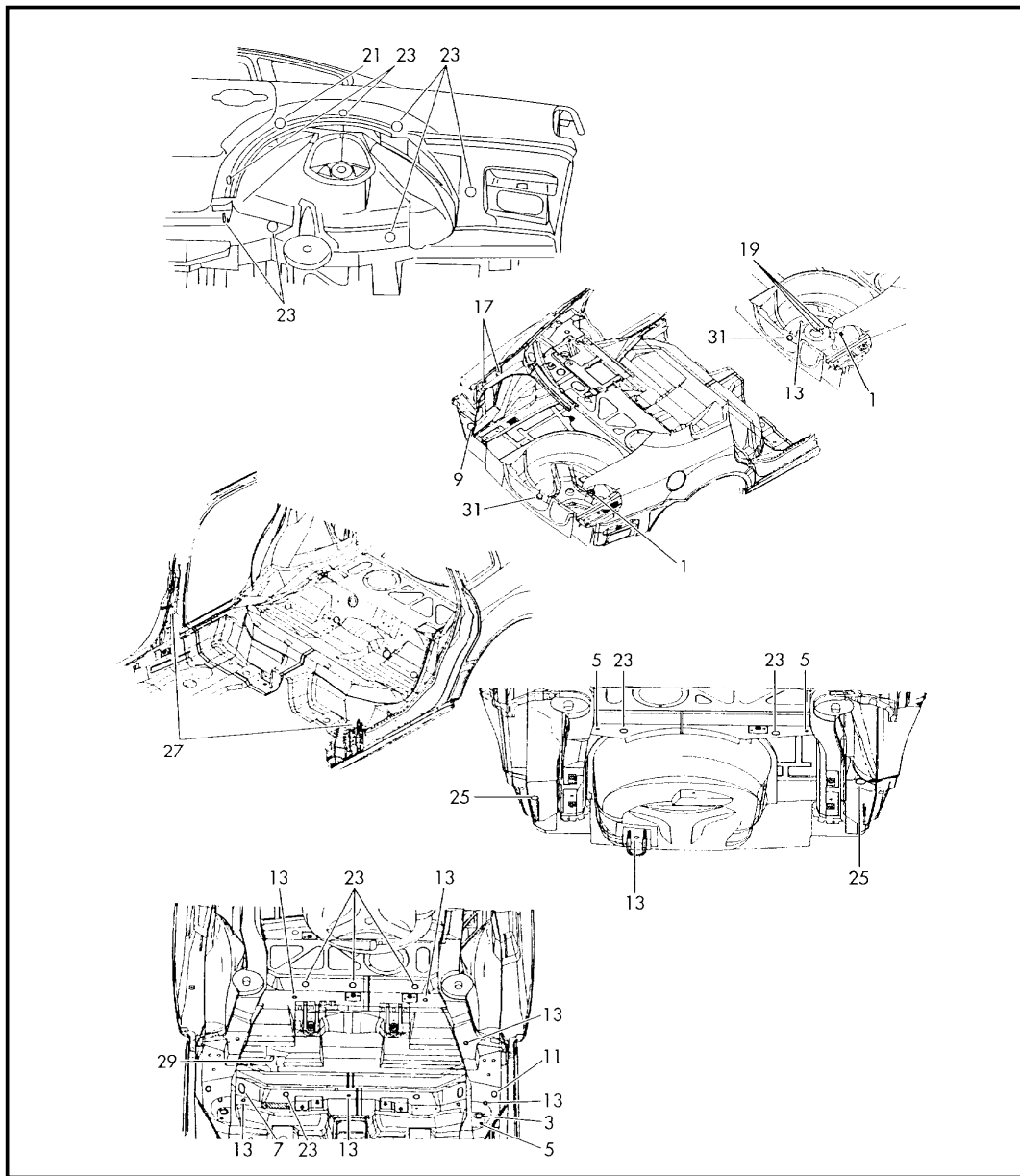
Pos	Part Number	Name	Remarks	Qty	Model
		plug body shell			
1	8D0 819 419 A	water drain valve		1	
-	3B0 819 500	plug		1	
-	N 020 025 1	plug side member	A12X1 upper	1	
2	8D0 803 583 D	plug cross panel	1.9ltr.	1	
3	8D0 721 495 B	grommet		1	
4	N 102 265 01	plug	A30	X	
5	893 803 593 A	plug	20	X	
6	893 971 863 C	grommet	31	1	
7	8D0 804 297	plug	25	1	
8	N 906 527 01	plug	40MM	X	
9	3B0 803 583 B	drain tube grommet		1	
10	N 102 267 01	plug	A20	X	
11	811 803 583 D	rubber valve for vehicles with evaporative emission canister	29,6	4	
12	893 803 593	drain tube grommet	19,8	X	
13	803 803 583 B	plug	40	X	
14	357 971 908 A	plug	49,5	2	
16	811 803 593	plug		4	
17	443 803 583 M	drain valve	14,5	X	
18	8A0 803 583 H	plug	76X46	X	
21	8D0 819 419	water drain valve		1	
23	8D0 820 992	plug	96X85,4	1	

Model	Year	MG	SG	Illustration	Restrictions	UPD	21:56	11.12.2006		ETKA
PA	2005	8	03	803-36		597	USA			




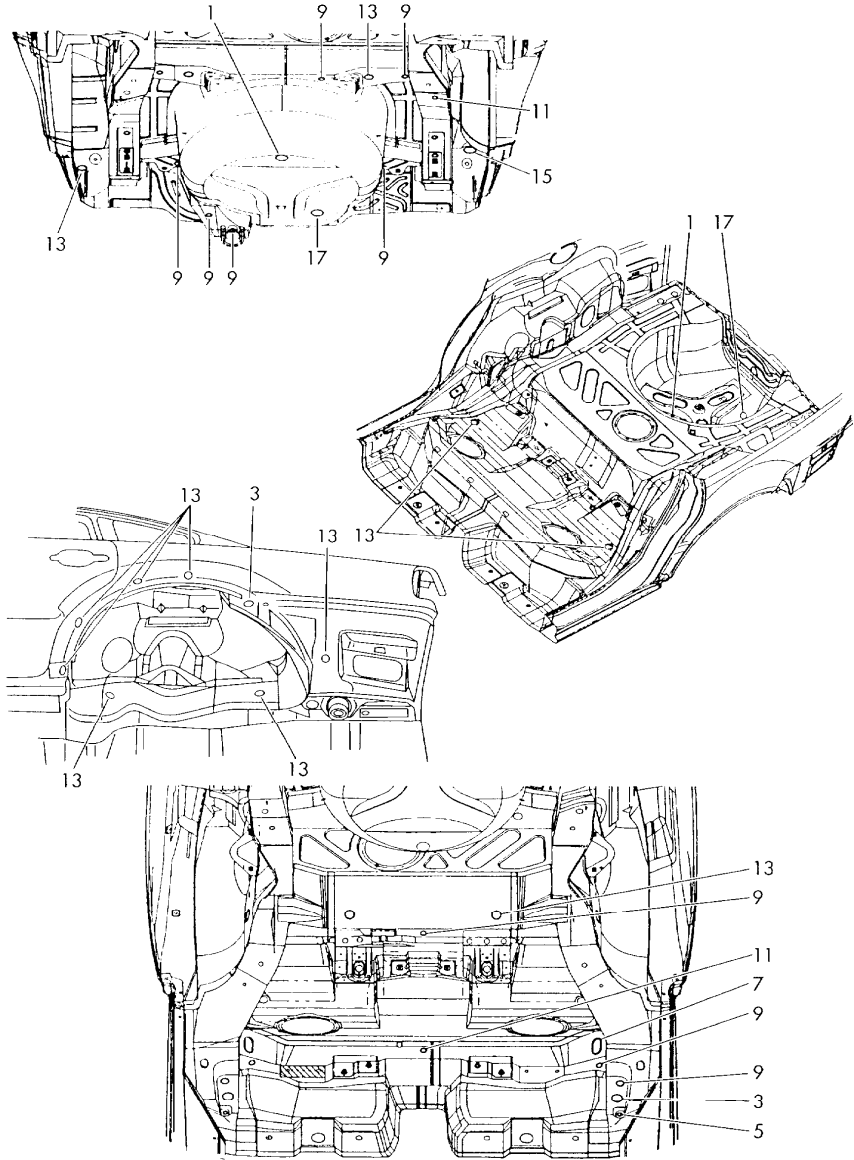
Pos	Part Number	Name	Remarks	Qty	Model
		plug body shell	center		
1	4D0 803 583 G	plug	30	2	
3	443 803 583 M	drain valve	14,5	2	
5	8D0 803 583 H	plug (hot melt adhesive)	19,8	2	
7	811 803 593	plug	46X30	2	
9	893 803 593	drain tube grommet	19,8	4	
11	893 803 593 A	plug	20	2	
13	191 971 928	grommet	27	4	
14	N 102 265 01	plug	A30	4	
15	N 102 267 01	plug	A20	2	
17	N 906 527 01	plug	40MM	8	

Model	Year	MG	SG	Illustration	Restrictions	UPD	21:56	11.12.2006		ETKA
PA	2005	8	03	803-37		597	USA			




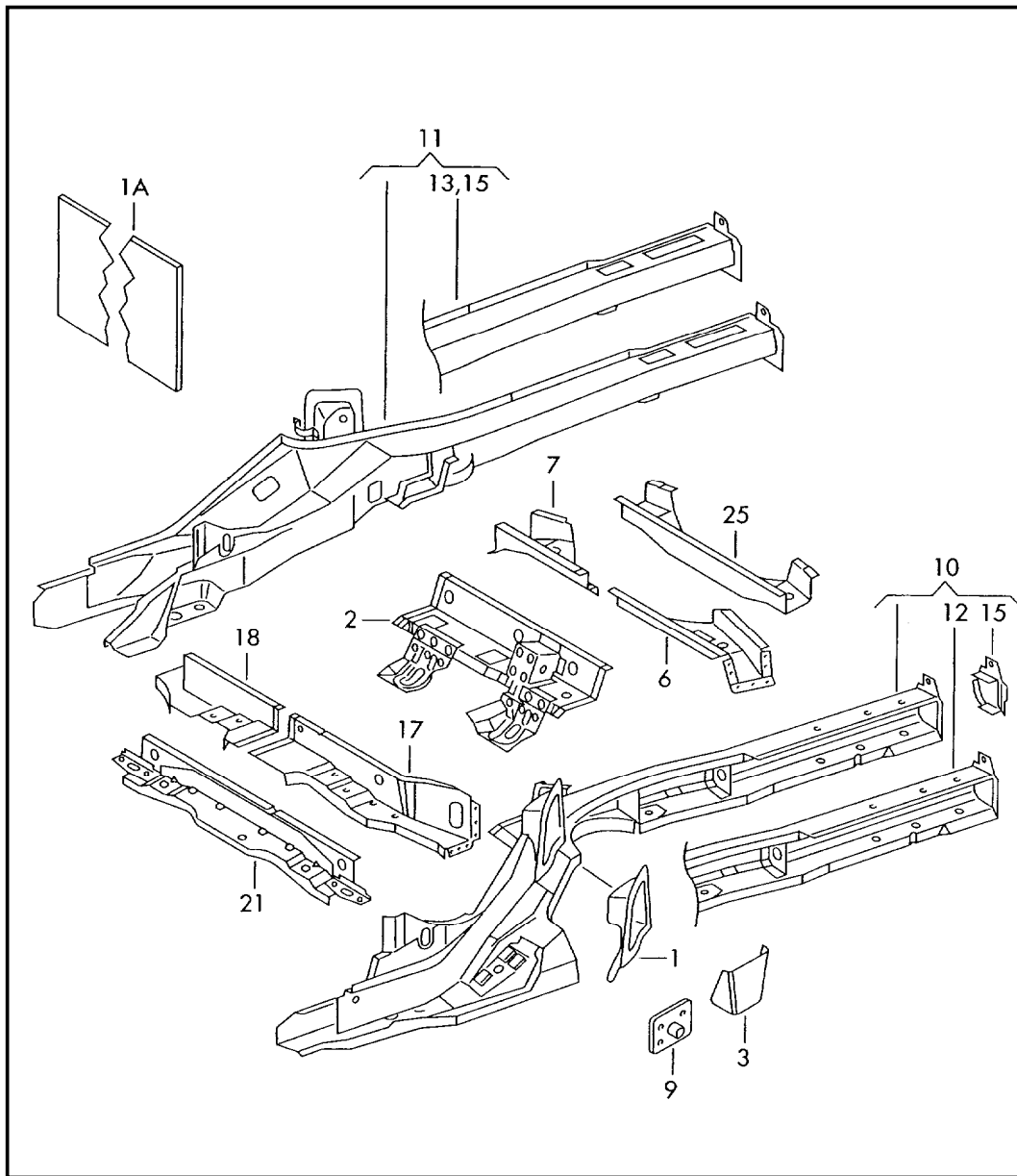
Pos	Part Number	Name	Remarks	Qty	Model
		plug body shell	rear		fr.wheel drv
1	3B0 803 583 B	drain tube grommet		1	
3	4D0 803 583 G	plug	30	2	
5	443 803 583 M	drain valve	14,5	4	
7	8A0 803 583 H	plug	76X46	2	
9	803 803 583 B	plug	40	1	
11	811 803 593	plug	46X30	2	
13	893 803 593	drain tube grommet	19,8	X	
15	893 803 593	drain tube grommet	19,8	X	
17	861 827 365	gasket		4	
21	N 101 821 01	plug	A40	2	
23	N 102 265 01	plug	A30	X	
25	N 906 527 01	plug	40MM	2	
27	N 102 497 01	plug	15	2	
29	N 905 088 01	sealing cap	B25X45	2	
31	N 906 527 01	plug	40MM	1	

Model	Year	MG	SG	Illustration	Restrictions	UPD	21:56	11.12.2006		ETKA
PA	2005	8	03	803-38		597	USA			




Pos	Part Number	Name	Remarks	Qty	Model
		plug body shell	rear		4motion
1	3B0 803 583 B	drain tube grommet		1	
3	4D0 803 583 G	plug	30	2	
5	443 803 583 M	drain valve	14,5	2	
7	8A0 803 583 H	plug	76X46	2	
9	893 803 593	drain tube grommet	19,8	X	
11	893 803 593 A	plug	20	2	
13	N 102 265 01	plug	A30	X	
15	N 906 527 01	plug	40MM	1	
17	N 906 527 01	plug	40MM	2	


Model	Year	MG	SG	Illustration	Restrictions	UPD	21:56	11.12.2006		ETKA
PA	2005	8	03	803-40		597	USA			

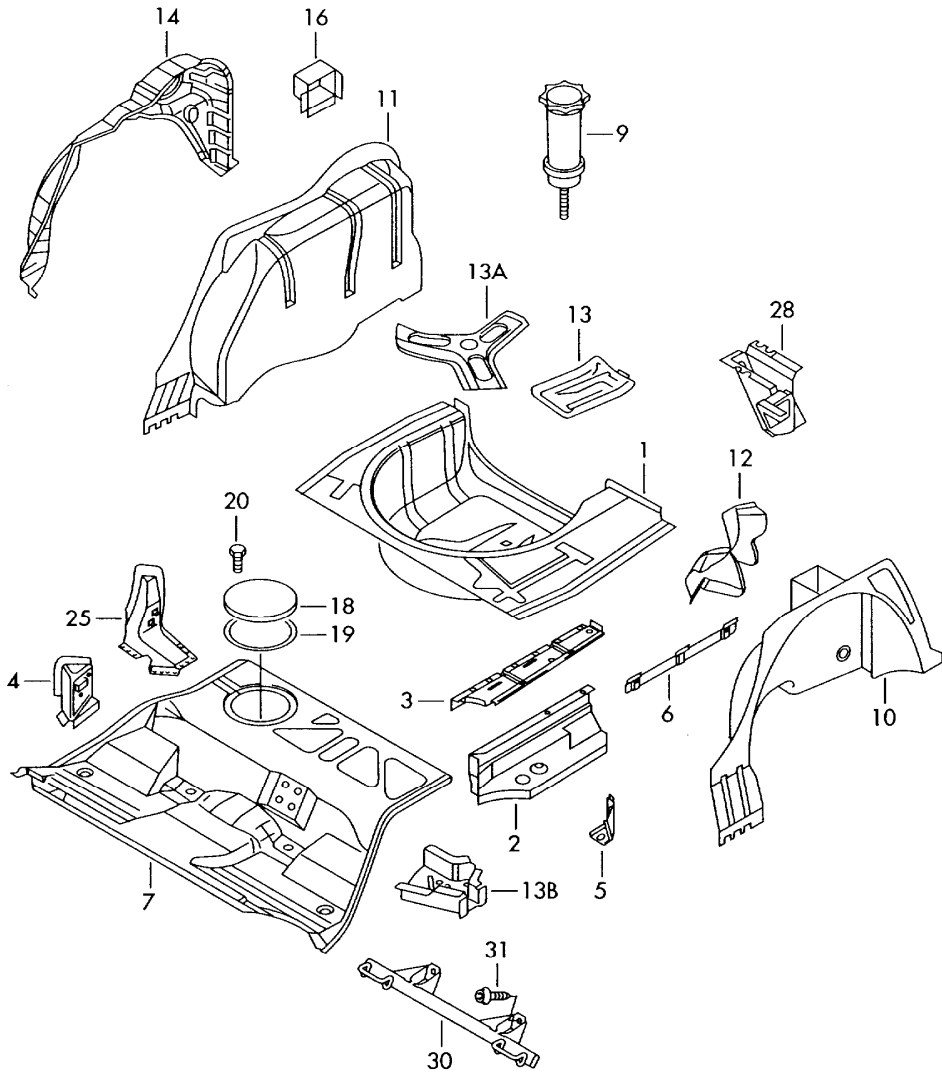


Pos	Part Number	Name	Remarks	Qty	Model
		frame	rear		
1A	000 800 981	sheet metal plate	200X1500X0,8	1	
(1A)	000 800 981 A	sheet metal plate	300X1500X0,8	1	
(1A)	000 800 981 B	sheet metal plate	500X1500X0,8	1	
(1A)	000 800 981 C	sheet metal plate	800X1500X0,8	1	
1	8E0 802 225	mounting for hinged backrest	left	1	fr.wheel drv
(1)	8E0 802 225 B	mounting for hinged backrest	left	1	4motion
(1)	8E0 802 226	mounting for hinged backrest	right	1	fr.wheel drv
(1)	8E0 802 226 B	mounting for hinged backrest	right	1	4motion
2	8E0 802 299 A	cross member		1	fr.wheel drv
(2)	8E0 802 299 B	cross member		1	4motion
6	8E0 803 345	cross member for spare wheel well	left	1	fr.wheel drv
(6)	8E0 803 347 B	cross member for spare wheel well	left	1	4motion
7	8E0 803 348	cross member for spare wheel well	right	1	fr.wheel drv
(7)	8E0 803 348 B	cross member for spare wheel well	right	1	4motion
-	443 803 583 M	drain valve	14,5	2	
9	443 803 377 B	reinforcement plate for seat belt mounting		2	
10	3B0 803 401 S	side member with reinforcement and welded nut	left rear	1	fr.wheel drv
(10)	3B0 803 401 N	side member with reinforcement and welded nut	left rear	1	4motion
11	3B0 803 402 S	side member with reinforcement and welded nut	right rear	1	fr.wheel drv
(11)	3B0 803 402 N	side member with reinforcement and welded nut	right rear	1	4motion


Model	Year	MG	SG	Illustration	Restrictions	UPD	21:56	11.12.2006		ETKA
PA	2005	8	03	803-40		597	USA			

Pos	Part Number	Name	Remarks	Qty	Model	Pos	Part Number	Name	Remarks	Qty	Model
12	3B0 803 401 S	side member with reinforcement and welded nut can be used as a section part	left rear	1	fr.wheel drv						
(12)	3B0 803 401 N	side member with reinforcement and welded nut can be used as a section part	left rear	1	4motion						
13	3B0 803 402 S	side member with reinforcement and welded nut can be used as a section part	right rear	1	fr.wheel drv						
(13)	3B0 803 402 N	side member with reinforcement and welded nut can be used as a section part	right rear	1	4motion						
21	8E0 803 535	cross member		1	4motion						
25	8E0 801 601	cross member		1	4motion						


Model	Year	MG	SG	Illustration	Restrictions	UPD	21:56	11.12.2006		ETKA
PA	2005	8	03	803-50		597	USA			




Pos	Part Number	Name	Remarks	Qty	Model
		luggage compartment floor wheelhouse protector	rear		
-	000 800 981	sheet metal plate	200X1500X0,8	1	
-	000 800 981 A	sheet metal plate	300X1500X0,8	1	
-	000 800 981 B	sheet metal plate	500X1500X0,8	1	
-	000 800 981 C	sheet metal plate	800X1500X0,8	1	
1	8E0 802 088	floor pan	rear	1	fr.wheel drv
(1)	8E0 802 088 P	floor pan for vehicles with evaporative emission canister	rear	1	otto engine fr.wheel drv
		as required use:	rear N 910 412 01	2	
(1)	8E0 802 088 P	floor pan for vehicles with particulate filter	rear	1	diesel eng.+ fr.wheel drv
		as required use:	rear N 910 412 01	2	
(1)	8E0 803 094 D	floor pan	rear	1	4motion
(1)	8E0 802 088 Q	floor pan for vehicles with evaporative emission canister	rear	1	4motion
(1)	3B7 802 088	floor pan	rear	1	W8
-		towing eye contained in key:	13		fr.wheel drv
2	8E0 802 091	floor pan	left rear	1	fr.wheel drv
(2)	3B0 802 091 A	floor pan	left rear	1	4motion
(2)	8E0 802 092	floor pan	right rear	1	fr.wheel drv
(2)	3B0 802 092 A	floor pan	right rear	1	4motion
(3)	3B9 813 227 C	connecting plate		1	WAGON: 4motion
		05/02-06/0501C	satin black		
(3)	3B9 813 228 C	connecting plate		1	WAGON: 4motion
		05/02-06/0501C	satin black		
(4)	8E0 802 225	mounting for hinged backrest	left	1	fr.wheel drv
(4)	8E0 802 225 B	mounting for hinged backrest	left	1	4motion

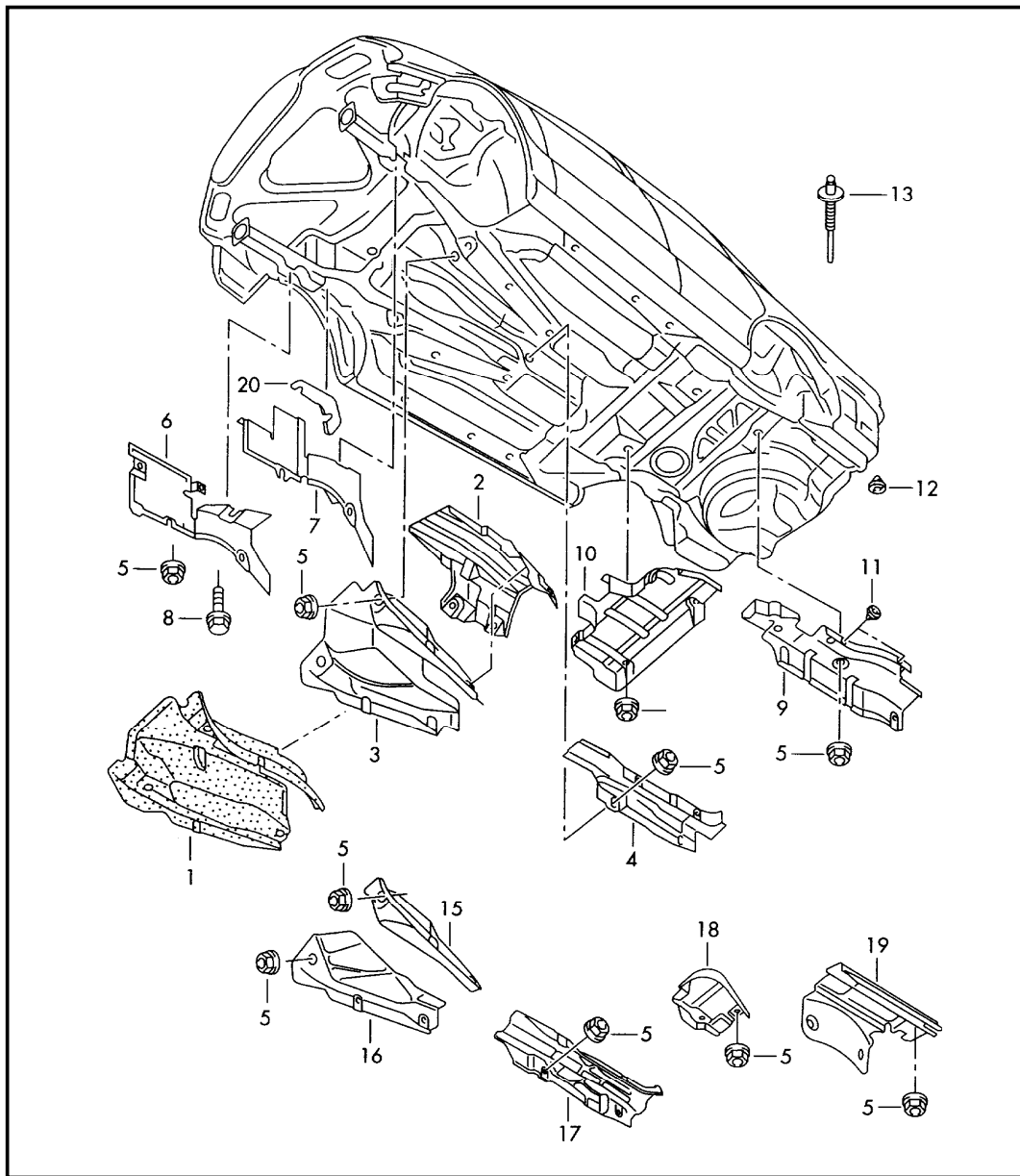
Model	Year	MG	SG	Illustration	Restrictions	UPD	21:56	11.12.2006		ETKA
PA	2005	8	03	803-50		597	USA			

Pos	Part Number	Name	Remarks	Qty	Model	Pos	Part Number	Name	Remarks	Qty	Model
4	8E0 802 226	mounting for hinged backrest	right	1	fr.wheel drv	(9)	3B0 803 899 L	bolt for spare wheel mounting	205/55X16 steel	1	sedan: 4motion
(4)	8E0 802 226 B	mounting for hinged backrest	right	1	4motion	(9)	3B5 803 899 K	bolt for spare wheel mounting	195/65X15 steel	1	sedan: 4motion
5	3B0 802 369	retaining clamp	left rear	1		10	3B5 803 423	wheelhouse protector	left rear inner	1	fr.wheel drv
(5)	3B0 802 370	retaining clamp	right rear	1		10	3B5 803 423 A	wheelhouse protector	left rear inner	1	4motion
6	3B0 802 939	bracket	left	1	4motion						
(7)	3B0 803 093 F	floor pan	center	1	fr.wheel drv	11	3B5 803 424	wheelhouse protector	right rear inner	1	fr.wheel drv
7	8E0 803 093 Q	floor pan	center	1	4motion						
(9)	3B7 803 899 C	bolt for spare wheel mounting		1	W8	(11)	3B5 803 422 D	wheelhouse protector	right rear inner	1	4motion
(9)	3B7 803 899	bolt for spare wheel mounting for temporary spare wheel		1	W8	12	3B9 803 433 A	reinforcem. for wheel housing	left rear	1	WAGON: 4motion
9	3B0 803 899 N	bolt for spare wheel mounting	195/65X15 aluminium	1	wagon	(12)	3B9 803 434 A	reinforcem. for wheel housing	right rear	1	WAGON: 4motion
(9)	3B5 803 899 P	bolt for spare wheel mounting	205/55,225/45 aluminium	1	wagon	(13A)	8E0 802 715 B	reinforcement for trunk floor		1	fr.wheel drv
(9)	3B9 803 899 F	bolt for spare wheel mounting	195/65X15 aluminium	1	sedan: fr.wheel drv	13A	8E0 802 715 A	reinforcement for trunk floor		1	4motion
(9)	3B0 803 899 N	bolt for spare wheel mounting	195/65X15 aluminium	1	sedan: 4motion	13B	8E0 804 893 A	bracket bracket for exhaust system	left rear	1	4motion
(9)	3B5 803 899 N	bolt for spare wheel mounting	205/55X16 225/45X17 aluminium	1	sedan: fr.wheel drv	(13B)	8E0 804 894 A	bracket bracket for exhaust system	right rear	1	4motion
(9)	3B5 803 899 P	bolt for spare wheel mounting	205/55X16 225/45X17 aluminium	1	sedan: 4motion	(14)	3B5 803 435 B	wheelhouse protector	left rear outer	1	sedan
(9)	3B5 803 899 P	bolt for spare wheel mounting	205/55X16 225/45X17 aluminium	1	sedan: 4motion	(14)	3B9 803 435 C	wheelhouse protector	left rear outer	1	WAGON:
(9)	3B0 803 899 L	bolt for spare wheel mounting	195/65 6X15 steel	1		14	3B5 803 436 B	wheelhouse protector	right rear outer	1	sedan
(9)	3B5 803 899 K	bolt for spare wheel mounting	195/65X15 7X15 steel	1	wagon	(14)	3B9 803 436 C	wheelhouse protector	right rear outer	1	WAGON:
(9)	3B0 803 899 M	bolt for spare wheel mounting	205/55X16 7X15 steel	1	wagon	-	3B0 810 931 A	bracket f.throttle contr.elem.	right	1	
(9)	3B5 803 899 M	bolt for spare wheel mounting	205/55X16 steel	1	sedan: fr.wheel drv	18	6X0 803 959	cover for sender unit		1	
						19	321 803 963	sealing washer		1	
						20	+ N 013 965 5	tapping screw, fill. hd.	B4,2X9,5	3	
						(25)	3B0 804 479 G	reinforcem. for wheel housing	left rear	1	wagon: fr.wheel drv


Model	Year	MG	SG	Illustration	Restrictions	UPD	21:56	11.12.2006		ETKA
PA	2005	8	03	803-50		597	USA			

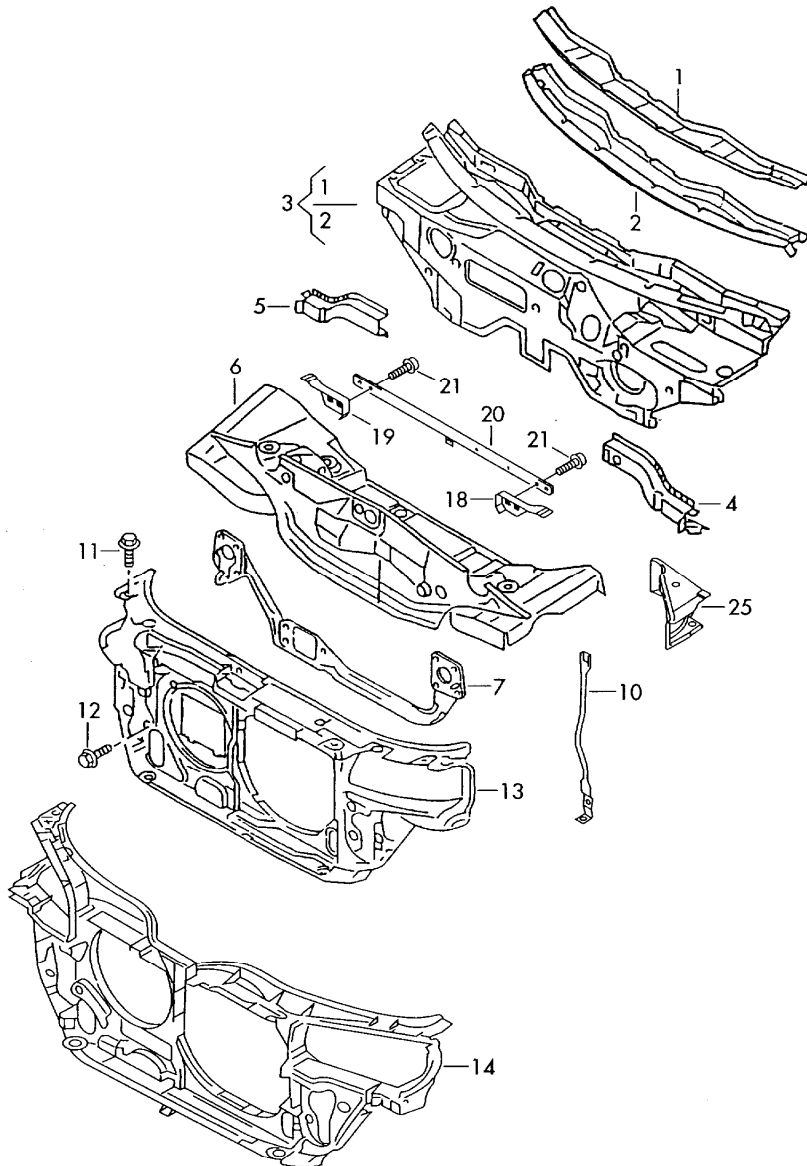
Pos	Part Number	Name	Remarks	Qty	Model	Pos	Part Number	Name	Remarks	Qty	Model
(25)	3B0 804 479 F	reinforcem. for wheel housing	left rear	1	4motion						
25	3B0 804 480 G	reinforcem. for wheel housing	right rear	1	wagon: fr.wheel drv						
(25)	3B0 804 480 F	reinforcem. for wheel housing	right rear	1	4motion						
28	3B5 809 301	bracket for wheel housing	left rear	1	sedan fr.wheel drv						
(28)	3B5 809 301 A	bracket for wheel housing	left rear	1	sedan 4motion						
(28)	3B9 809 301 F	bracket for wheel housing	left rear	1	WAGON: fr.wheel drv						
(28)	3B9 809 301 G	bracket for wheel housing	left rear	1	WAGON: 4motion						
(28)	3B5 809 302	bracket for wheel housing	right rear	1	sedan fr.wheel drv						
(28)	3B5 809 302 A	bracket for wheel housing	right rear	1	sedan 4motion						
(28)	3B9 809 302 F	bracket for wheel housing	right rear	1	WAGON: fr.wheel drv						
(28)	3B9 809 302 G	bracket for wheel housing	right rear	1	WAGON: 4motion						
30	8D0 813 545	bracket for child seat	-LATCH-	2	fr.wheel drv						
(30)	3B5 813 545 A	bracket for child seat	-LATCH- left	1	4motion						
(30)	3B5 813 546	bracket for child seat	-LATCH- right	1	4motion						
31	8L0 837 453	innensechsrund-zyl-bundschr.	M8X27-H-V	4							

Model	Year	MG	SG	Illustration	Restrictions	UPD	21:57	11.12.2006		ETKA
PA	2005	8	04	804-10		597	USA			




Pos	Part Number	Name	Remarks	Qty	Model
		cover plates			
1		see illustration:	825-20		
2	8D0 804 159 AF	heat shield for tunnel		1	
3		see illustration:	825-20		
4	3B0 804 159 A	heat shield for tunnel	rear	1	fr.wheel drv
(4)	3B0 804 160 C	heat shield for tunnel	rear	1	4motion
5 +	N 907 088 01	speed nut	AM5	X	
(6)	8D0 804 166 D	heat protection plate for floor plate	right front	1	4motion
6	8D0 804 162 B	heat shield for side member	right	1	fr.wheel drv
(7)	8D0 804 165 A	heat protection plate for floor plate	left front	1	4motion
7	8D0 804 161 F	heat shield for side member	left	1	6 cylinder fr.wheel drv
8	N 090 148 4	bolt, hex. hd. (combi.)	M6X15Z2	1	
9	8E0 804 171 E	heat shield for exhaust muffler, rear	rear	1	fr.wheel drv
(9)	8E0 804 171 C	heat shield for exhaust muffler, rear	left rear	1	4motion
(9)	3B0 804 172 C	heat shield for exhaust muffler, rear	rear	1	4motion
10	8E0 804 173 B	heat shield for middle exhaust muffler		1	fr.wheel drv
11	431 253 149 B	buffer		2	
12	N 020 025 1	plug	A12X1	2	
13	N 907 161 01	pop-rivet with sealing washer	A4, 8X6, 5X22	X	


Model	Year	MG	SG	Illustration	Restrictions	UPD	21:57	11.12.2006		ETKA
PA	2005	8	05	805-00		597	USA			

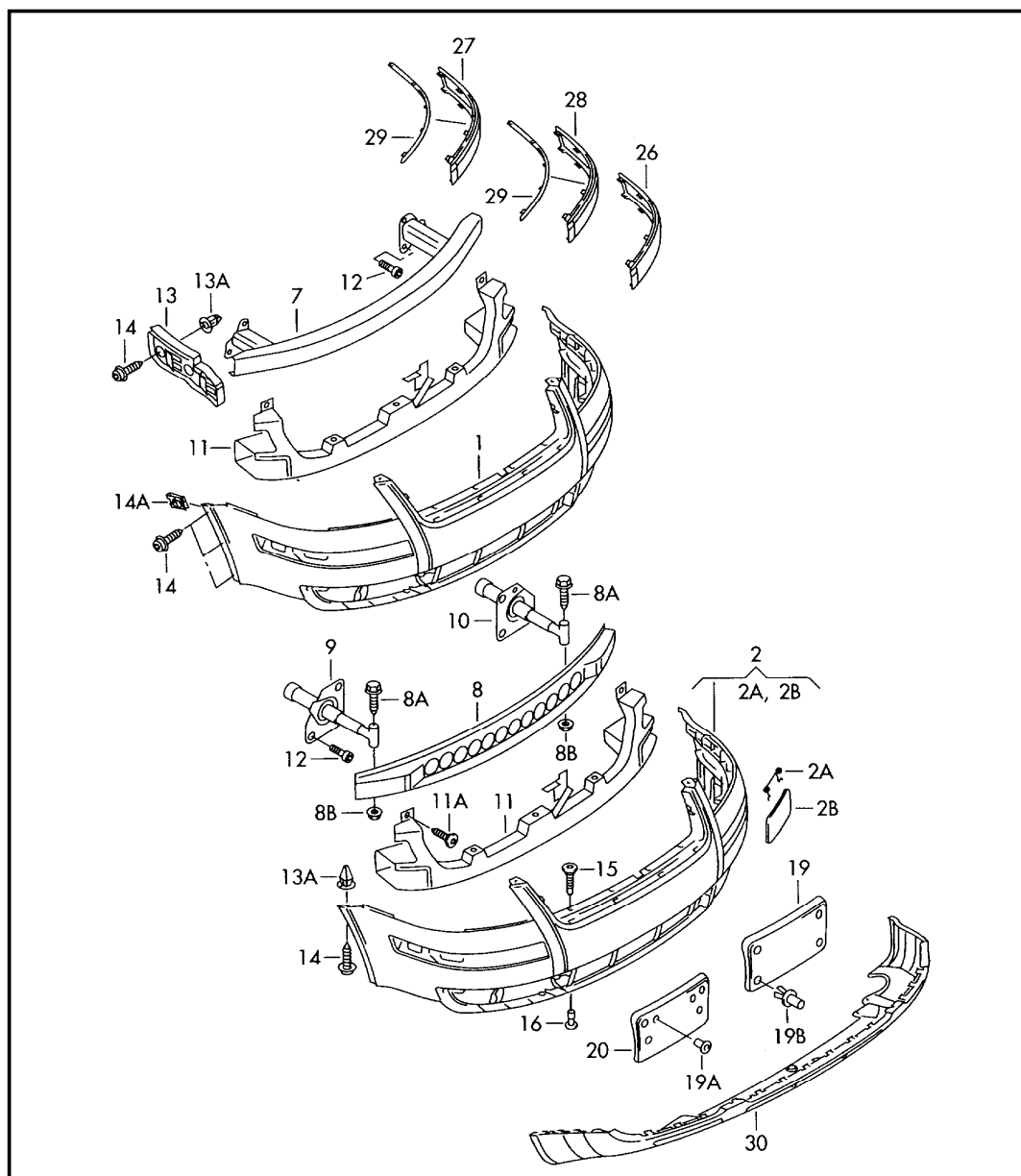


Pos	Part Number	Name	Remarks	Qty	Model
		body front section cross panel			
1	3B0 805 321 B	filler plate for cross member		1	
2	3B0 805 310 C	cross member		1	
3	3B1 805 431 E	cross panel		1	
4	8D0 806 355 B	cross member	left	1	
5	8D0 806 356 B	cross member	right	1	
6	3B1 806 603 K	cross member suspension strut mounting		1	lhd
7	3B0 805 851	cross member towing eye		1	
(7)	3B7 805 851 A	cross member towing eye		1	8 cylinder
-	+ N 902 631 02	riveted cap nut	M6/0,7-3-ET	X	
(7)		cross tube	see illustration: see illustration: see illustration:		199-21 199-40 199-42
10	3B0 805 489 F	radius rod		1	
(10)	3B7 805 489	radius rod		1	8 cylinder
11	N 906 833 02	halbrundschaube (kombi) mit innensechsrund	M6X20-TC-S11	3	
12	+ N 906 832 01	innensechsrund-zylinderbund- schraube (kombi)	M8X45-S23-SV	7	
14	3B0 805 594 BL	lock carrier		1	4 cylinder
(14)	3B0 805 594 BJ	lock carrier		1	6 cylinder
(14)	3B7 805 594 F	lock carrier	as required use:	1	8 cylinder
-	3B0 823 409	bolt, with polygon socket hd. (combi.)	M6X20	2	
-	N 907 710 01	riveted cap nut	M6/2,4-4,5-AR	X	
18	8D0 803 357 A	retainer	left	1	PR-T6V, T7F, T9H
19	8D0 803 358 A	retainer	right	1	PR-T6V, T7F, T9H


Model	Year	MG	SG	Illustration	Restrictions	UPD	21:57	11.12.2006		ETKA
PA	2005	8	05	805-00		597	USA			

Pos	Part Number	Name	Remarks	Qty	Model	Pos	Part Number	Name	Remarks	Qty	Model
20	8D0 805 645 A	cross support	front	1	PR-T6V, T7F, T9H						
21	N 902 218 03	bolt, with hex. socket hd. (combi.)	M8X20	4							
25	3B7 806 607 A	reinforcement for cross member	left	1							
(25)	3B7 806 608 A	reinforcement for cross member	right	1							


Model	Year	MG	SG	Illustration	Restrictions	UPD	21:57	11.12.2006		ETKA
PA	2005	8	07	807-00		597	USA			

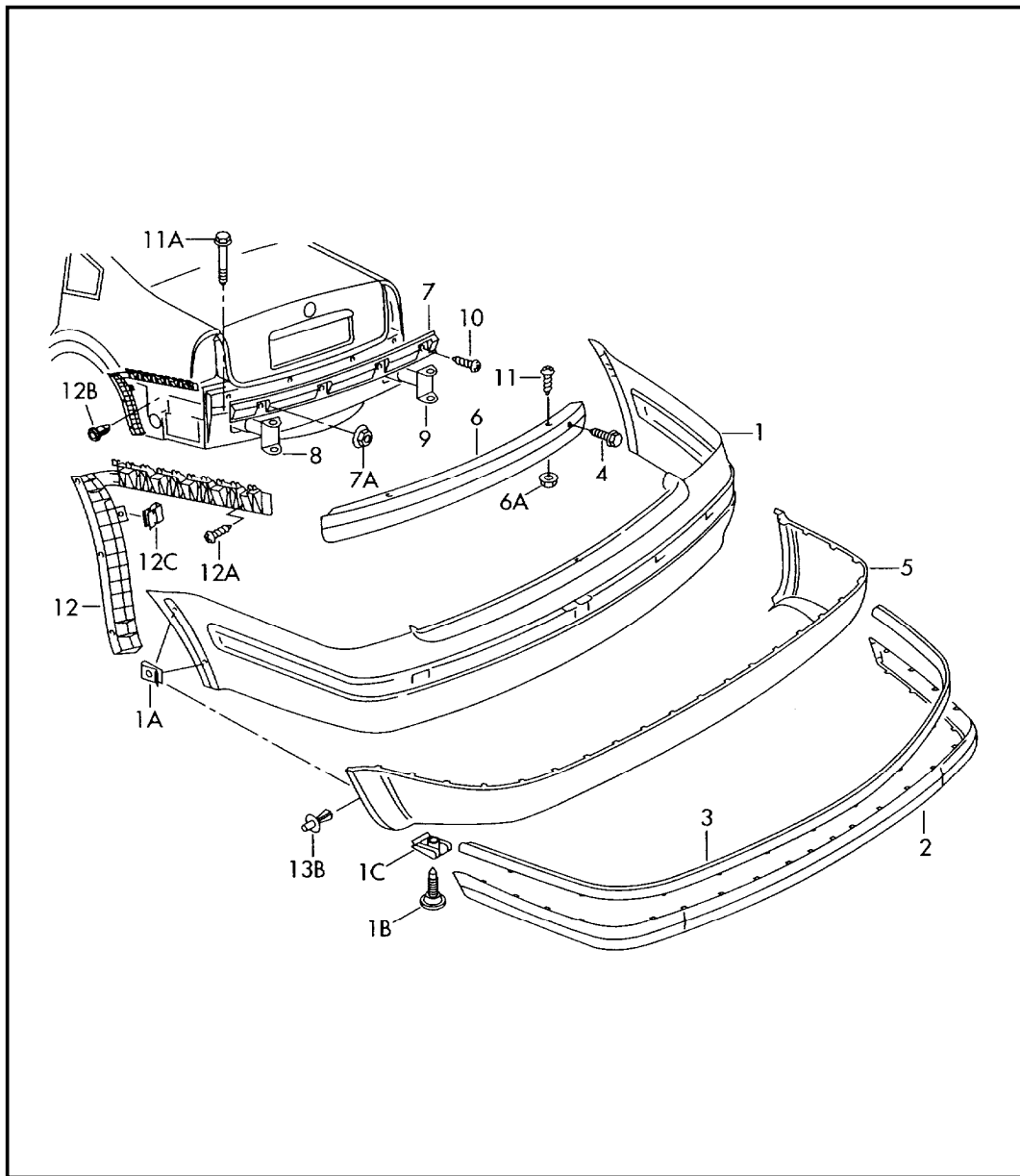


Pos	Part Number	Name	Remarks	Qty	Model
		bumper	front		
		spoiler damping pan	see illustration: 863-25		
2	3B0 807 217 M	cover		1	
	05/02-06/05GRU	primed			
(2)	3B0 807 217 N	cover	for vehicles with headlight washer system	1	
	05/02-06/05GRU	primed			
2A	3B0 807 947	retaining clip	for headlight washer system	2	
2B	3B0 807 937 A	cap	for headlight washer system	1	left
	05/02-06/05GRU	primed			
(2B)	3B0 807 938 A	cap	for headlight washer system	1	right
	05/02-06/05GRU	primed			
8	3B0 807 109 B	impact beam	front	1	
8A	N 101 418 01	bolt, hex. hd. (combi.)	M12X1,5X100	2	
8B	N 015 081 4	shouldered hex. nut	M12X1,5	2	
9	3B0 807 271 C	buffer	left front	1	
10	3B0 807 272 C	buffer	right front	1	
-	N 907 075 01	bolt, hex. hd. (combi.)	M8X100X41	2	
11	3B0 807 469 C	support part		1	
11A	N 908 259 01	innensechsrund-zyl-bundschr.	M6X27	5	
12 +	N 906 832 01	innensechsrund-zylinderbundschrabe (kombi)	M8X45-S23-SV	7	
13	3B0 807 183 E	guide piece	left	1	
(13)	3B0 807 184 E	guide piece	right	1	
13A	N 103 180 01	expanding nut	D4,8	X	
14 +	N 907 750 01	innensechsrund-blechschrabe	4,8X16	X	


Model	Year	MG	SG	Illustration	Restrictions	UPD	21:57	11.12.2006		ETKA
PA	2005	8	07	807-00		597	USA			

Pos	Part Number	Name	Remarks	Qty	Model	Pos	Part Number	Name	Remarks	Qty	Model
15	N 908 259 01	innensechsrund-zyl-bundschr.	M6X27	6							
16	+ 8D0 805 121 B	dowel pin	6X20MM								
		F >> 3B-3E140 427		3							
		F >> 3B-3P189 537		3							
16	N 090 148 4	bolt, hex. hd. (combi.)	6X20MM								
		F 3BZ3E140428>>		3							
		F 3BZ3P189538>>		3							
19	3B0 807 287 B	license plate bracket		1							
	05/02-06/05GRU	primed									
19B+	N 038 549 1	rivet	8X12	4							
-	+ N 102 593 01	rivet	A5X11	2							
28	3B0 807 717 C	protective strip	left	1							
	05/02-06/05GRU	primed									
(28)	3B0 807 718 C	protective strip	right	1							
	05/02-06/05GRU	primed									
29	3B0 807 243	decorative molding	left	1							
	05/02-06/052ZZ	chrome									
(29)	3B0 807 244	decorative molding	right	1							
	05/02-06/052ZZ	chrome									
(30)	3B0 805 903 F	spoiler		1							
	05/02-06/05B41	satin black									
-	+ N 102 593 01	rivet	A5X11	4							
-	+ N 909 707 01	speed nut	ST4, 8X17X11,3	6							
-	D 007 700	plastic-repair kits		1							
-	LSP 787 100 A1	2k-fine filler, flexibel	1KG	1							


Model	Year	MG	SG	Illustration	Restrictions	UPD	21:57	11.12.2006		ETKA
PA	2005	8	07	807-50		597	USA			

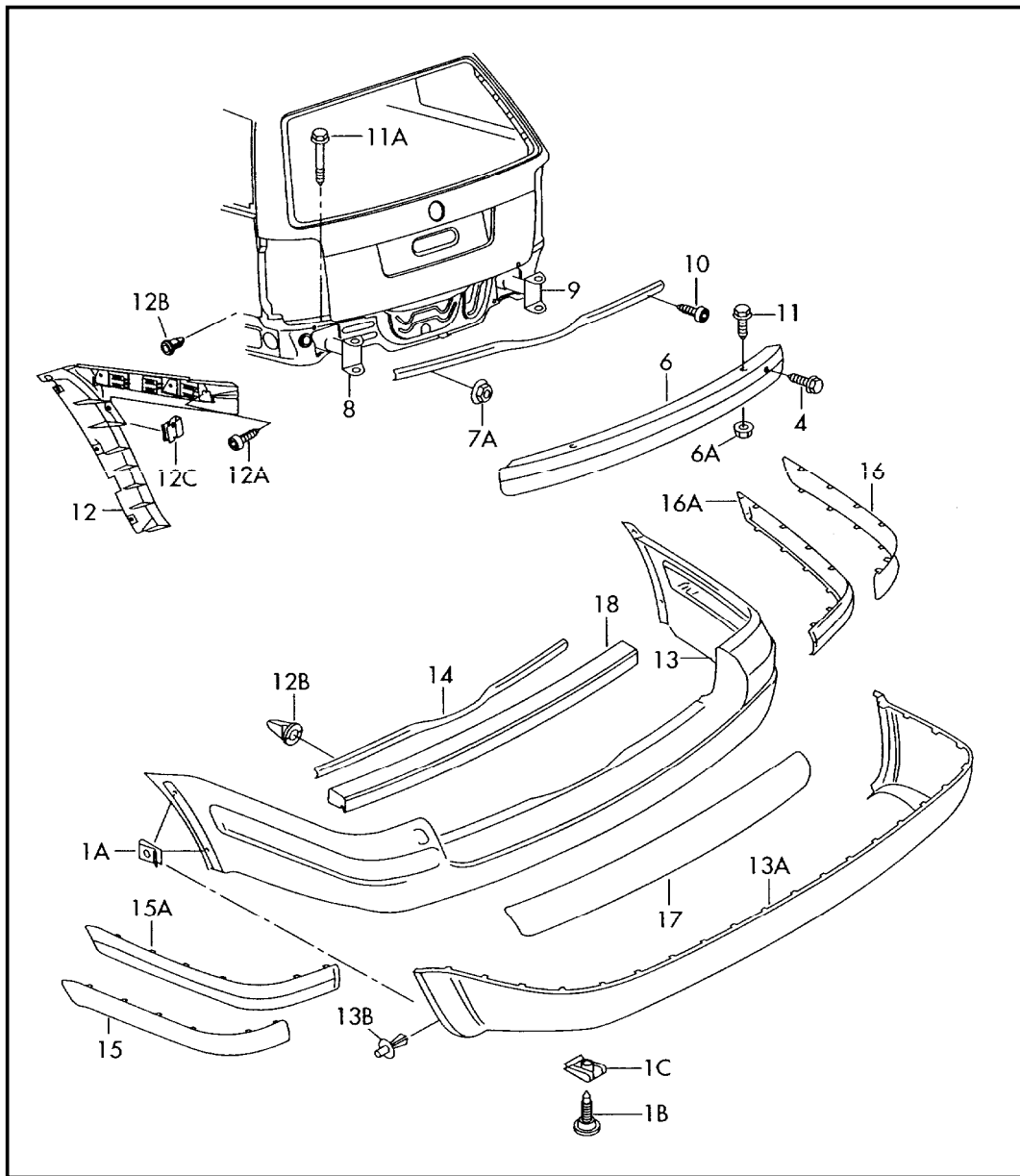


Pos	Part Number	Name	Remarks	Qty	Model
		bumper	rear		
1	3B5 807 417 H	cover		1	sedan:
	05/02-06/05GRU	primed			4-,6-cyl.
(1)	3B5 807 417 J	cover		1	sedan:
	05/02-06/05GRU	primed			8 cylinder
1A	+ N 909 707 01	speed nut	ST4, 8X17X11,3	6	
1B	N 908 259 01	innensechsrund-zyl-bundschr.	M6X27	7	
1C	N 904 101 02	speed nut	M6X17X16	7	
(2)	3B5 807 423 F	protective strip		1	sedan
	05/02-06/05GRU	primed			
3	3B5 807 443	decorative molding		1	sedan
	05/02-06/052ZZ	chrome			
(5)	3B5 807 521	spoiler	lower	1	sedan:
	05/02-06/05B41	satin black			4-,5-,6-cyl.
(5)	3B5 807 434	spoiler	lower	1	sedan:
	05/02-06/05B41	satin black			8 cylinder
6	3B5 807 311 A	bumper bracket		1	sedan
7	3B5 807 861 C	attachment strip	rear	1	sedan
7A	+ N 901 326 03	hex. nut with washer	M6	2	
(8)	3B0 807 335 H	buffer	left	1	sedan:
			also use: N 908 432 02	2	fr.wheel drv
(8)	3B0 807 335 J	buffer	left	1	sedan:
			also use: N 908 432 02	2	4motion
9	3B0 807 336 H	buffer	right	1	sedan:
			also use: N 908 432 02	2	fr.wheel drv
(9)	3B0 807 336 J	buffer	right	1	sedan:
			also use: N 908 432 02		4motion
10	+ N 907 750 01	innensechsrund-blechschaube	4,8X16	5	
11	N 907 465 01	bolt, hex. hd. (combi.)	M8X100X40	X	


Model	Year	MG	SG	Illustration	Restrictions	UPD	21:57	11.12.2006		ETKA
PA	2005	8	07	807-50		597	USA			

Pos	Part Number	Name	Remarks	Qty	Model	Pos	Part Number	Name	Remarks	Qty	Model
(11)	N 907 075 01	bolt, hex. hd. (combi.)	M8X100X41	X							
11A	N 907 721 01	bolt, hex. hd. (combi.)	BM10X105	X							
(12)	3B5 807 393 C	guide piece	left	1	sedan						
(12)	3B5 807 394 C	guide piece	right	1	sedan						
12A+	N 907 750 01	innensechsrund-blechschraube	4,8X16	12							
12B+	N 908 214 01	expanding nut	D4,8	8							
(12B)	N 105 366 01	expanding nut	3MX28	X							
12C	N 905 319 01	clamp	A13X13X3	3							
18	3B5 807 252	plastic foam	rear	1	sedan						
-	D 007 700	plastic-repair kits		1							
-	LSP 787 100 A1	2k-fine filler, flexibel	1KG	1							


Model	Year	MG	SG	Illustration	Restrictions	UPD	21:57	11.12.2006		ETKA
PA	2005	8	07	807-51		597	USA			

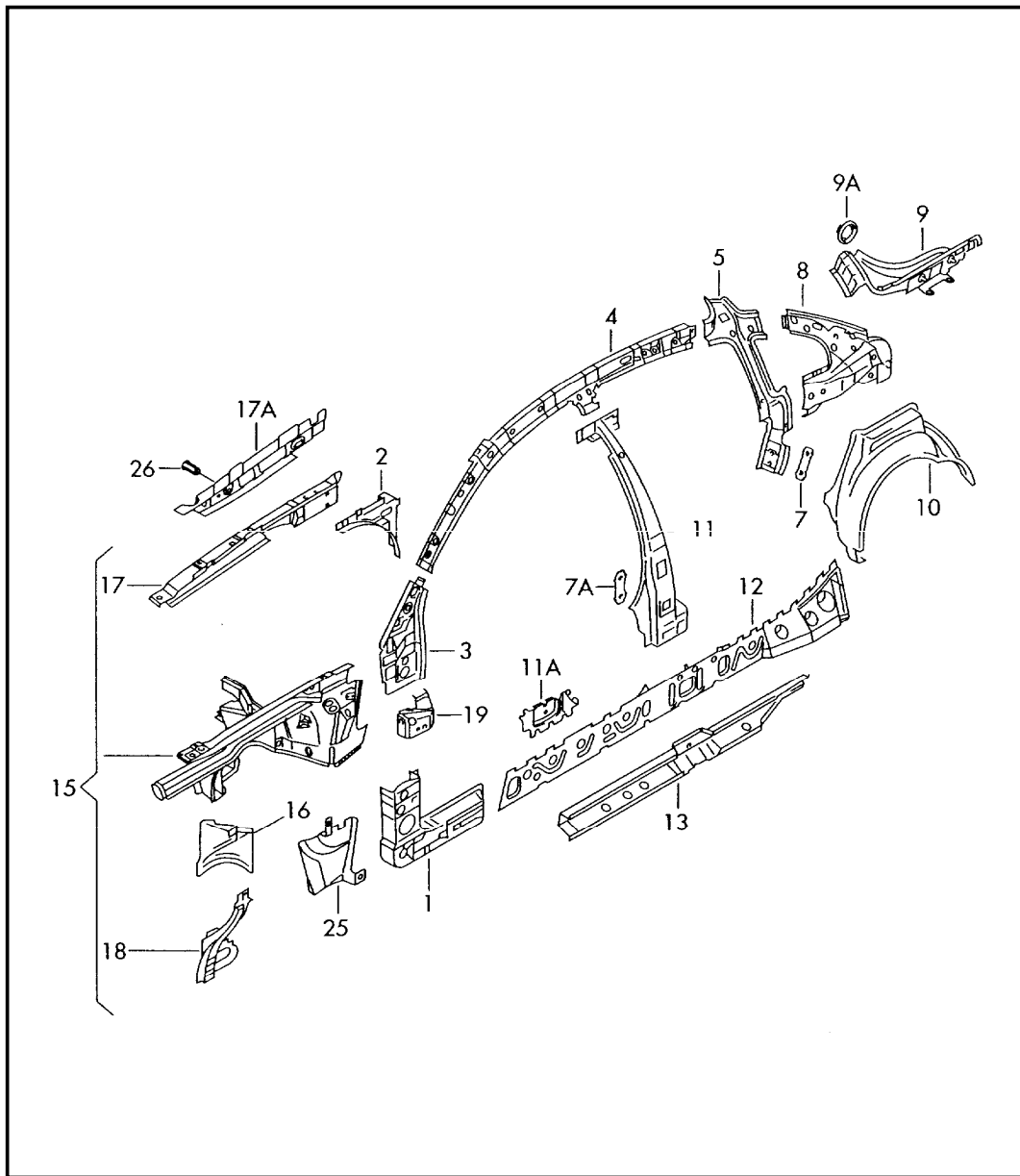


Pos	Part Number	Name	Remarks	Qty	Model
		bumper	rear		
1A	+ N 909 707 01	speed nut	ST4, 8X17X11,3	6	
1B	N 908 259 01	innensechsrund-zyl-bundschr.	M6X27	7	
1C	N 904 101 02	speed nut	M6X17X16	7	
(6)	3B0 807 311 A	bumper bracket		1	WAGON
7A	+ N 901 326 03	hex. nut with washer	M6	2	
(8)	3B0 807 335 K	buffer	left	1	WAGON:
			also use: N 907 075 01	2	4motion
(8)	3B9 807 335	buffer	left	1	WAGON:
			also use: N 907 075 01	2	fr.wheel drv
(9)	3B9 807 336	buffer	right	1	WAGON:
			also use: N 907 075 01	2	fr.wheel drv
(9)	3B0 807 336 K	buffer	right	1	WAGON:
			also use: N 907 075 01	2	4motion
10	+ N 907 750 01	innensechsrund-blechschaube	4,8X16	5	
11	N 907 465 01	bolt, hex. hd. (combi.)	M8X100X40	X	
(11)	N 907 075 01	bolt, hex. hd. (combi.)	M8X100X41	X	
11A	N 907 721 01	bolt, hex. hd. (combi.)	BM10X105	X	
(12)	3B9 807 393 C	guide piece	left	1	WAGON
(12)	3B9 807 394 C	guide piece	right	1	WAGON
12A	+ N 907 750 01	innensechsrund-blechschaube	4,8X16	12	
12B	+ N 908 214 01	expanding nut	D4, 8	8	
(12B)	N 105 366 01	expanding nut	3MX28	X	
12C	N 905 319 01	clamp	A13X13X3	3	
(13)	3B9 807 417 B	cover		1	WAGON:
	05/02-06/05GRU	primed			4-, 5-, 6-cyl.
(13)	3B9 807 417 C	cover		1	WAGON:
	05/02-06/05GRU	primed			8 cylinder
13A		not a spare part use instead -> -> -> -> ->	POS.13		
14	3B9 807 863 B	attachment strip	rear	1	WAGON


Model	Year	MG	SG	Illustration	Restrictions	UPD	21:57	11.12.2006		ETKA
PA	2005	8	07	807-51		597	USA			

Pos	Part Number	Name	Remarks	Qty	Model	Pos	Part Number	Name	Remarks	Qty	Model
15	3B9 807 791 D	protective strip	left	1	WAGON						
	05/02-06/05GRU	primed									
15A	3B9 807 459	decorative molding	left upper	1	WAGON						
	05/02-06/052ZZ	chrome									
16	3B9 807 792 D	protective strip	right	1	WAGON						
	05/02-06/05GRU	primed									
16A	3B9 807 460	decorative molding	right upper	1	WAGON						
	05/02-06/052ZZ	chrome									
17	3B9 807 602 B	protective foil		1	WAGON						
(18)	3B9 807 251	plastic foam	rear	1	WAGON						


Model	Year	MG	SG	Illustration	Restrictions	UPD	21:57	11.12.2006		ETKA
PA	2005	8	09	809-30		597	USA			

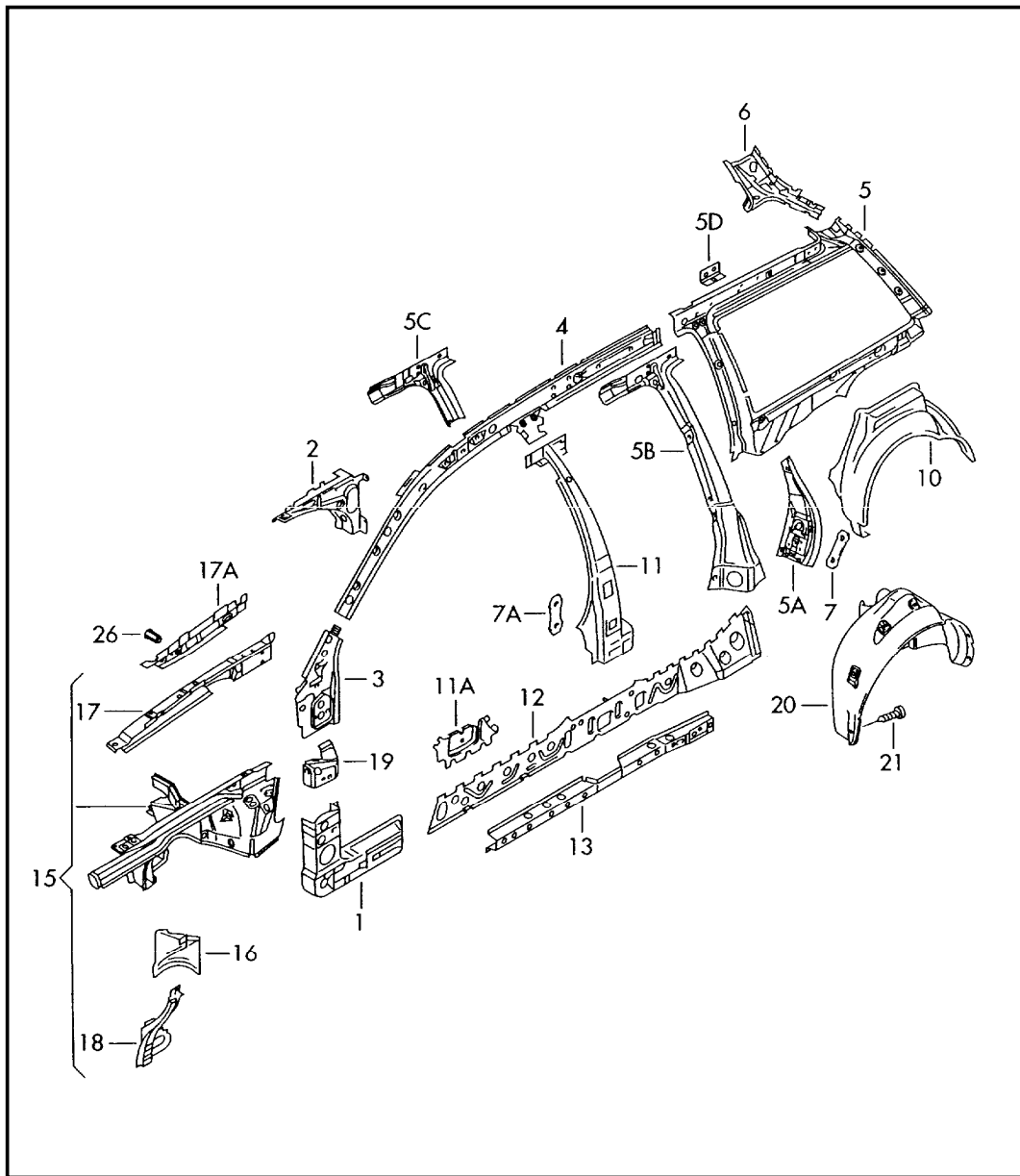


Pos	Part Number	Name	Remarks	Qty	Model
		side panel wheel housing with side member	inner front		sedan
1	3B0 809 203 C	reinforcement for pillar a	left lower	1	
(1)	3B0 809 204 C	reinforcement for pillar a	right lower	1	
2	3B0 810 231 C	outrigger-pillar a	left	1	
(2)	3B0 810 232 C	outrigger-pillar a	right	1	
(3)	3B0 810 179 D	pillar a inner	left	1	
(3)	3B0 810 180 D	pillar a inner	right	1	
(4)	3B5 809 429 G	side panel, inner	left upper	1	
(4)	3B5 809 430 G	side panel, inner	right upper	1	
(5)	3B5 809 261 F	reinforcement for pillar c	left inner	1	
(5)	3B5 809 262 F	reinforcement for pillar c	right inner	1	
7	3B0 809 237	threaded plate		1	
7A	3B0 809 237 A	threaded plate locking catch		1	
(8)	3B5 809 405 D	side panel, inner	left rear	1	
(8)	3B5 809 406 D	side panel, inner	right rear	1	
9	3B5 809 641 C	water drain channel	left rear	1	
(9)	3B5 809 642 C	water drain channel	right rear	1	
		as required use:	191 807 196		
9A	191 807 196	plug		2	
10		see illustration:	803-50		
11	3B4 809 219 B	pillar b inner	left	1	
(11)	3B4 809 220 B	pillar b inner	right	1	
11A	3B0 810 319 B	end plate pillar b inner	left lower	1	
(11A)	3B0 810 320 B	end plate pillar b inner	right lower	1	
12	3B4 810 599 D	rip plate	left inner	1	
(12)	3B4 810 600 D	rip plate	right inner	1	
13	3B4 810 607 C	reinforcement for side member	left	1	


Model	Year	MG	SG	Illustration	Restrictions	UPD	21:57	11.12.2006		ETKA
PA	2005	8	09	809-30		597	USA			

Pos	Part Number	Name	Remarks	Qty	Model	Pos	Part Number	Name	Remarks	Qty	Model
(13)	3B4 810 608 C	reinforcement for side member	right	1							
15	3B0 809 101 F	wheel housing with side member	left	1							
-	8D0 809 153 B	wheel housing rear part	left front	1							
(15)	3B0 809 102 F	wheel housing with side member	right	1							
		also use:	7M0 804 198	1							
-	8D0 809 154 A	wheel housing rear part	right front	1							
16	3B0 805 085	gusset plate for wheel housing	left	1							
(16)	3B0 805 086	gusset plate for wheel housing	right	1							
-	N 907 057 01	rivettted cap nut	M6/0,7-3-A	2							
-	7M0 804 198	weld nut	M8	1							
17	3B0 805 303 D	filler plate	left	1							
(17)	3B0 805 304 D	filler plate	right	1							
17A	3B0 805 361 E	end plate	left	1							
(17A)	3B0 805 362 E	end plate	right	1							
18	3B0 805 869 B	support	left	1							
(18)	3B0 805 870 B	support	right	1							
19	3B0 809 621 A	reinforcement for pillar a	left upper	1							
(19)	3B0 809 622 A	reinforcement for pillar a	right upper	1							
		wheelhouse liner									
		see illustration:	809-70								
26	N 907 057 01	rivettted cap nut	M6/0,7-3-A	2							
(26)	N 904 085 01	rivettted cap nut	M8	2							


Model	Year	MG	SG	Illustration	Restrictions	UPD	21:57	11.12.2006		ETKA
PA	2005	8	09	809-50		597	USA			

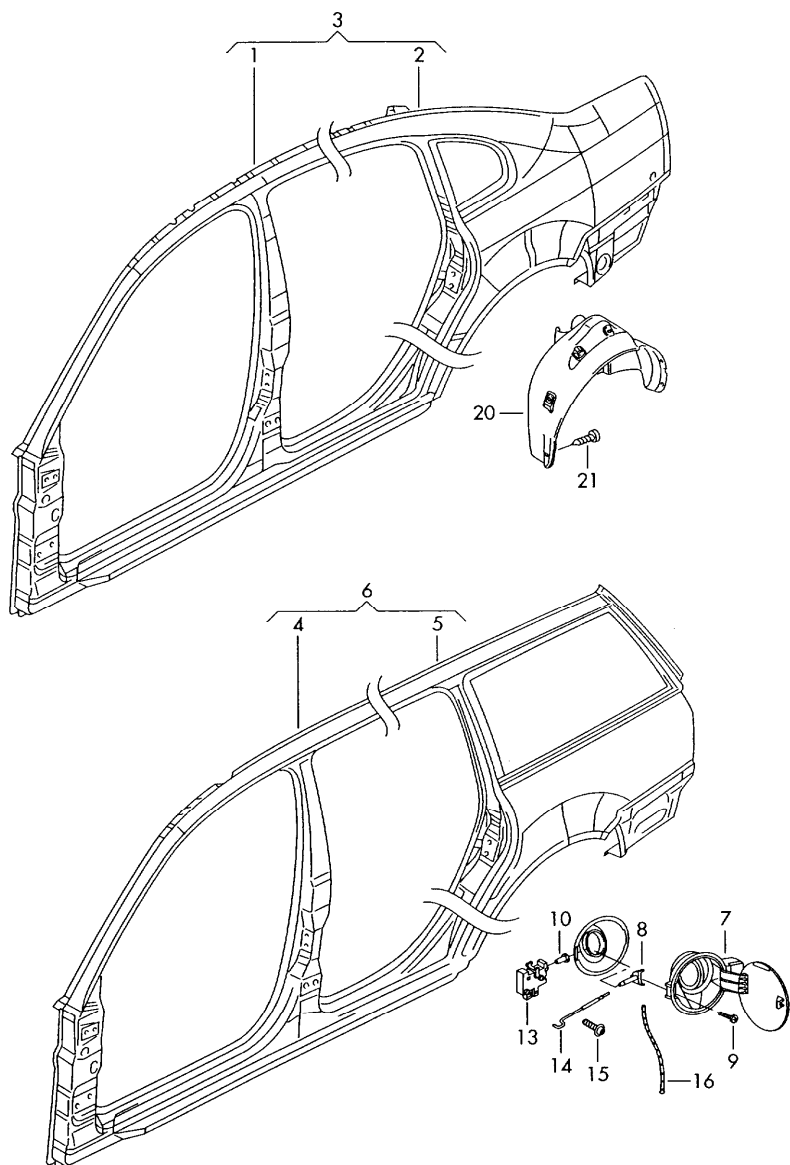


Pos	Part Number	Name	Remarks	Qty	Model
		side panel wheel housing with side member	inner front		WAGON
1	3B0 809 203 C	reinforcement for pillar a	left lower	1	
(1)	3B0 809 204 C	reinforcement for pillar a	right lower	1	
2	3B0 810 231 C	outrigger-pillar a	left	1	
(2)	3B0 810 232 C	outrigger-pillar a	right	1	
3	3B0 810 179 D	pillar a inner	left	1	
(3)	3B0 810 180 D	pillar a inner	right	1	
(4)	3B9 809 427 F	side panel, inner	left upper	1	
(4)	3B9 809 428 F	side panel, inner	right upper	1	
(5)	3B9 809 405 H	side panel	left inner	1	
(5)	3B9 809 406 H	side panel	right inner	1	
5A	3B9 809 611 A	reinforcement for pillar c	left	1	
(5A)	3B9 809 612 A	reinforcement for pillar c	right	1	
5B	3B9 809 261 A	reinforcement for pillar c	left	1	
(5B)	3B9 809 262 A	reinforcement for pillar c	right	1	
5D	3B9 810 543 A	reinforcement for vehicles with roof rails	rear	2	
6	3B9 810 263 D	reinforcement for side panel	left inner	1	
(6)	3B9 810 264 D	reinforcement for side panel	right inner	1	
7	3B0 809 237	threaded plate		2	
7A	3B0 809 237 A	threaded plate locking catch		2	
10		see illustration:	803-50		
(11)	3B4 809 219 B	pillar b inner	left	1	
(11)	3B4 809 220 B	pillar b inner	right	1	
11A	3B0 810 319 B	end plate pillar b inner	left lower	1	
(11A)	3B0 810 320 B	end plate pillar b inner	right lower	1	
12	3B4 810 599 D	rip plate	left inner	1	


Model	Year	MG	SG	Illustration	Restrictions	UPD	21:57	11.12.2006		ETKA
PA	2005	8	09	809-50		597	USA			

Pos	Part Number	Name	Remarks	Qty	Model	Pos	Part Number	Name	Remarks	Qty	Model
(12)	3B4 810 600 D	rip plate	right inner	1							
13	3B4 810 607 C	reinforcement for side member	left	1							
(13)	3B4 810 608 C	reinforcement for side member	right	1							
15	3B0 809 101 F	wheel housing with side member	left	1							
(15)	3B0 809 102 F	wheel housing with side member	right	1							
		also use:	7M0 804 198	1							
16	3B0 805 085	gusset plate for wheel housing	left	1							
(16)	3B0 805 086	gusset plate for wheel housing	right	1							
17	3B0 805 303 D	filler plate	left	1							
(17)	3B0 805 304 D	filler plate	right	1							
17A	3B0 805 361 E	end plate	left	1							
(17A)	3B0 805 362 E	end plate	right	1							
18	3B0 805 869 B	support	left	1							
(18)	3B0 805 870 B	support	right	1							
19	3B0 809 621 A	reinforcement for pillar a	left upper	1							
(19)	3B0 809 622 A	reinforcement for pillar a	right upper	1							
20	3B0 810 971 E	wheelhouse liner	left	1	fr.wheel drv						
	05/02-06/0501C	satin black									
(20)	3B0 810 973 A	wheelhouse liner	left	1	4motion						
	05/02-06/0501C	satin black									
20	3B0 810 970	wheelhouse liner	right	1	fr.wheel drv						
		F 3B-3-050 001>>*									
(20)	3B0 810 974 C	wheelhouse liner	right	1	4motion						
	05/02-06/0501C	satin black									
21	+ N 907 750 01	innensechsrund-blechschaube	4,8X16	X							
26	N 907 057 01	rivetted cap nut	M6/0,7-3-A	2							
(26)	N 904 085 01	rivetted cap nut	M8	2							


Model	Year	MG	SG	Illustration	Restrictions	UPD	21:58	11.12.2006		ETKA
PA	2005	8	09	809-70		597	USA			

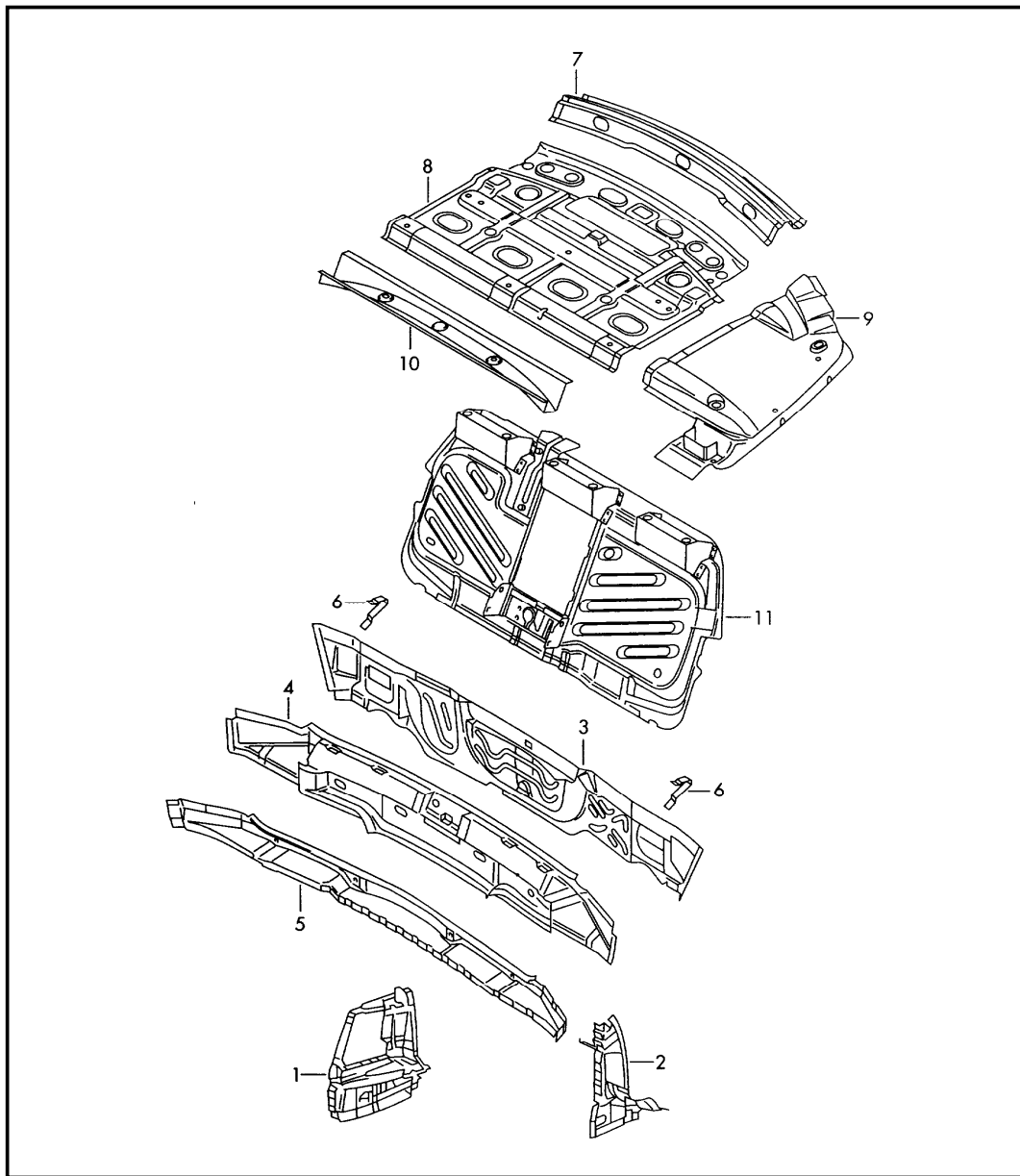


Pos	Part Number	Name	Remarks	Qty	Model
		sectionl parts - side panel frame flap for fuel filler			
-	000 800 981	sheet metal plate	200X1500X0,8	1	
-	000 800 981 A	sheet metal plate	300X1500X0,8	1	
-	000 800 981 B	sheet metal plate	500X1500X0,8	1	
-	000 800 981 C	sheet metal plate	800X1500X0,8	1	
1	3B5 809 835 B	sectional part-pillar a/b with side member	left	1	sedan
(1)	3B5 809 836 B	sectional part-pillar a/b with side member	right	1	sedan
2	3B5 809 843 B	sectionl parts - side panel frame	left rear	1	sedan
(2)	3B5 809 844 B	sectionl parts - side panel frame	right rear	1	sedan
3	3B5 809 605 G	side panel	left	1	sedan
(3)	3B5 809 606 G	side panel	right	1	sedan
-	3B0 807 905 A	protective foil	left rear	1	
-	3B0 807 906 A	protective foil	right rear	1	
4	3B9 809 835	sectional part-pillar a/b with side member	left	1	WAGON
(4)	3B9 809 836	sectional part-pillar a/b with side member	right	1	WAGON
5	3B9 809 843 C	sectionl parts - side panel frame	left	1	WAGON
(5)	3B9 809 844 C	sectionl parts - side panel frame	right	1	WAGON
-	3B9 809 665	mounting for gas-filled strut		1	WAGON
-	3B9 809 666	mounting for gas-filled strut		1	WAGON
6	3B9 809 605 J	side panel	left outer	1	WAGON
(6)	3B9 809 606 J	side panel	right outer	1	WAGON
-	3B0 807 905 A	protective foil	left rear	1	
-	3B0 807 906 A	protective foil	right rear	1	


Model	Year	MG	SG	Illustration	Restrictions	UPD	21:58	11.12.2006		ETKA
PA	2005	8	09	809-70		597	USA			

Pos	Part Number	Name	Remarks	Qty	Model	Pos	Part Number	Name	Remarks	Qty	Model
7	3B7 809 857 A	flap for fuel filler		1							
	05/02-06/05GRU	primed									
(7)	3B9 809 857 A	flap for fuel filler		1							
	05/02-06/05GRU	primed									
8	3B0 810 899	guide sleeve		1							
-	3B0 809 931	spring flap for fuel filler		1							
9	N 907 321 01	innensechsrund-blechschraube	4X16-Q	1							
10	3B0 810 911 A	sealing washer		1							
13	3B0 959 782	motor for adjustment for central locking system flap for fuel filler		1							
14	3B0 959 789	release rod		1							
15	N 905 942 01	tapping screw,fill.hd. (combi.)	E4X16	2							
16	893 809 937	hose		1							
20	3B0 810 971 E	wheelhouse liner	left rear	1	fr.wheel drv						
	05/02-06/0501C	satin black									
(20)	3B0 810 970	wheelhouse liner F 3B-3-050 001>>*	right rear	1	fr.wheel drv						
(20)	3B0 810 973 A	wheelhouse liner	left rear	1	4motion						
	05/02-06/0501C	satin black									
(20)	3B0 810 974 C	wheelhouse liner	right rear	1	4motion						
	05/02-06/0501C	satin black									
21 +	N 907 750 01	innensechsrund-blechschraube	4,8X16	X							


Model	Year	MG	SG	Illustration	Restrictions	UPD	21:58	11.12.2006		ETKA
PA	2005	8	13	813-00		597	USA			

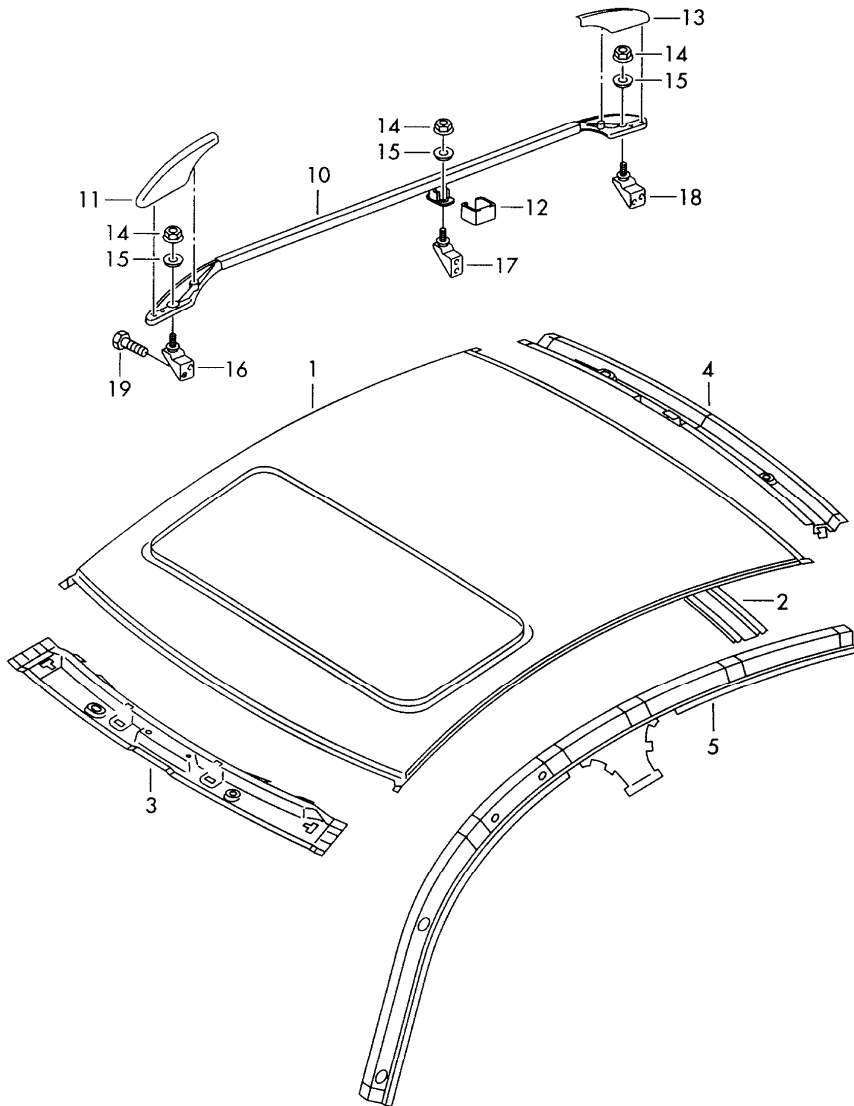


Pos	Part Number	Name	Remarks	Qty	Model
		rear apron			
-	000 800 981	sheet metal plate	200X1500X0,8	1	
-	000 800 981 A	sheet metal plate	300X1500X0,8	1	
-	000 800 981 B	sheet metal plate	500X1500X0,8	1	
-	000 800 981 C	sheet metal plate	800X1500X0,8	1	
1	3B5 813 327 B	mounting for taillight	left	1	sedan
(1)	3B9 813 319 D	mounting for taillight	left	1	WAGON
(1)	3B5 813 328 B	mounting for taillight	right	1	sedan
(1)	3B9 813 320 D	mounting for taillight	right	1	WAGON
-	010 321 314	washer	5,1X10,5X2	X	
2	3B5 813 331 B	reinforcement	left	1	sedan
(2)	3B9 813 331 E	reinforcement	left	1	WAGON
(2)	3B5 813 332 B	reinforcement	right	1	sedan
(2)	3B9 813 332 E	reinforcement	right	1	WAGON
3	3B0 813 341 F	reinforcement for apron		1	LIMOUSINE: fr.wheel drv
(3)	3B0 813 341 G	reinforcement for apron		1	LIMOUSINE: 4motion
(3)	3B9 813 341	reinforcement for apron		1	VARIANT: fr.wheel drv
(3)	3B9 814 339 D	reinforcement for apron		1	VARIANT: 4motion
4	3B5 813 301 C	end plate	upper	1	sedan
(4)	3B9 813 301 F	end plate	upper	1	WAGON
(5)	3B9 813 309 G	end plate	lower	1	WAGON
-	3B0 971 908 C	plug	40MM	1	
-	3B0 971 908 D	plug	32MM	1	
7	3B5 813 525 A	cross support		1	sedan
8	3B5 813 514	rear panel upper part		1	sedan
9	3B5 813 561	filler plate rear panel upper part	left	1	sedan


Model	Year	MG	SG	Illustration	Restrictions	UPD	21:58	11.12.2006		ETKA
PA	2005	8	13	813-00		597	USA			

Pos	Part Number	Name	Remarks	Qty	Model	Pos	Part Number	Name	Remarks	Qty	Model
(9)	3B5 813 562	filler plate rear panel upper part	right	1	sedan						
10	3B5 813 528	cross member	rear	1	sedan						
11	3B5 813 501 B	rear panel		1	sedan						


Model	Year	MG	SG	Illustration	Restrictions	UPD	21:58	11.12.2006		ETKA
PA	2005	8	17	817-10		597	USA			

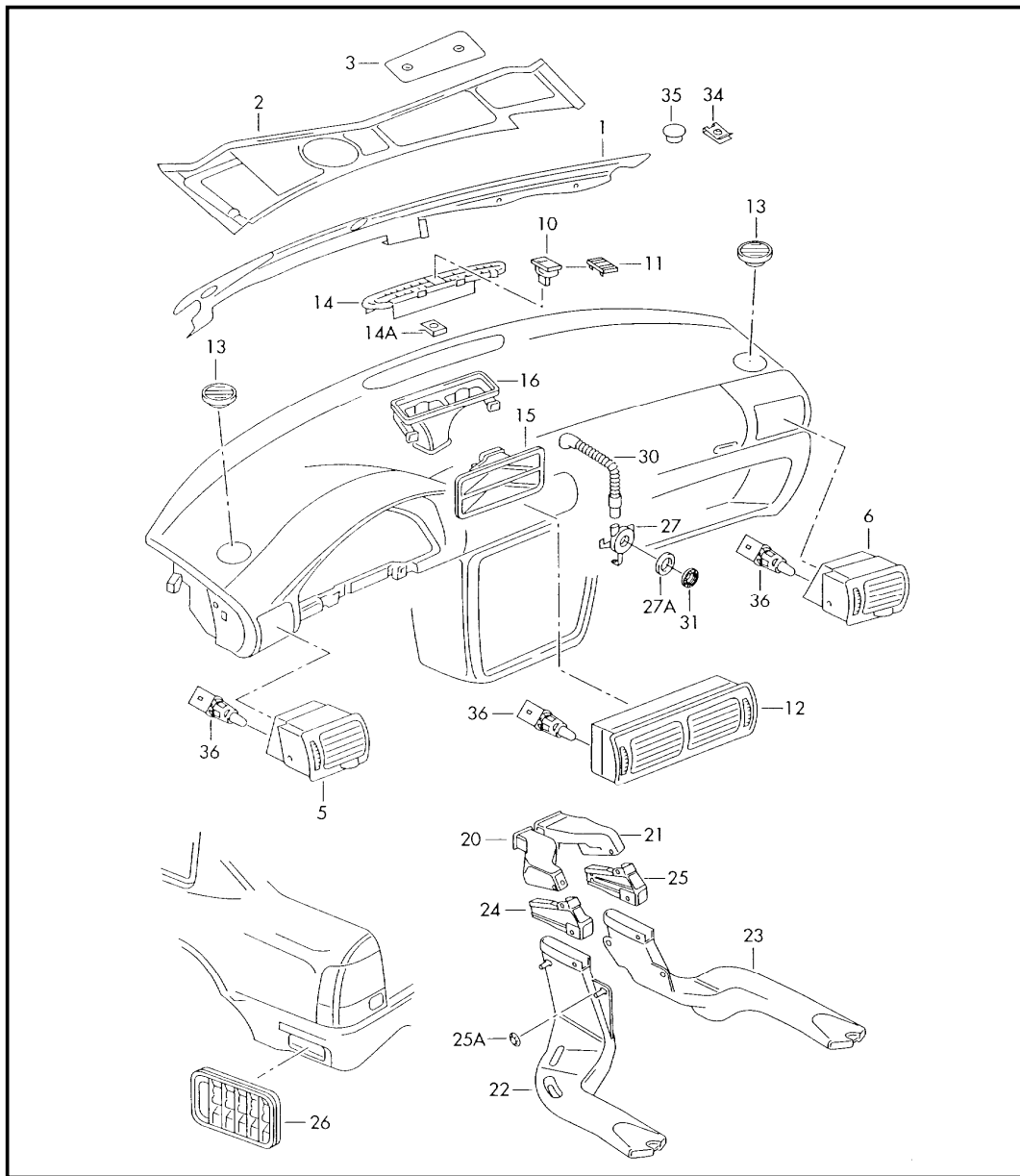


Pos	Part Number	Name	Remarks	Qty	Model
1	3B5 817 101 A	roof		1	sedan
(1)	3B9 817 101 M	roof for vehicles with sliding roof		1	WAGON
(1)	3B5 817 111 B	roof		1	sedan
(1)	3B9 817 111 AG	roof	also use: >>>3B-4-360000 3B9 827 301 F	2	wagon
(2)	3B0 817 119	roof cross member	center	2	
3	3B0 817 121 B	roof cross member	front	1	
4	3B5 817 164	roof cross member	rear	1	sedan
(4)	3B9 817 161 C	roof cross member	rear	1	WAGON
5		roof frame	side see illustration: 809-30		sedan
(5)		roof frame	side see illustration: 809-50		WAGON
(10)	3B9 860 025 B	roof rail	left	1	WAGON
(10)	05/02-06/0503C	rally black			
(10)	3B9 860 033 A	roof rail	left	1	
(10)	05/02-06/052ZZ	chrome			
10	3B9 860 026 B	roof rail	right	1	
(10)	05/02-06/0503C	rally black			
(10)	3B9 860 034 A	roof rail	right	1	
(10)	05/02-06/052ZZ	chrome			
(11)	3B9 860 145 B	cover roof rail	left front	1	
(11)	05/02-06/05B41	satin black			
(11)	3B9 860 145 C	cover roof rail	left front	1	


Model	Year	MG	SG	Illustration	Restrictions	UPD	21:58	11.12.2006		ETKA
PA	2005	8	17	817-10		597	USA			

Pos	Part Number	Name	Remarks	Qty	Model	Pos	Part Number	Name	Remarks	Qty	Model
	05/02-06/052ZZ	chrome				16	3B9 860 197 A	retaining clamp	left/right front	2	
11	3B9 860 146 B	cover roof rail	right front	1		17	3B9 860 199 B	retaining clamp	left/right	2	
	05/02-06/05B41	satin black				(18)	3B9 860 201 A	retaining clamp	left rear	1	
(11)	3B9 860 146 C	cover roof rail	right front	1		18	3B9 860 202 A	retaining clamp	right rear	1	
	05/02-06/052ZZ	chrome				19	N 100 493 03	bolt, hex. hd. (combi.)	M8X20	12	
(12)	3B9 860 147 A	cover roof rail	left, center	1		-	WHT 000 808	washer	A8,4X20X0,8	6	
	05/02-06/05B41	satin black				-	3B9 860 151	set of gaskets for roof rail		1	
(12)	3B9 860 147 B	cover roof rail	left, center	1		-		carrier bar	** see accessories catalog **		
	05/02-06/052ZZ	chrome									
12	3B9 860 148 A	cover roof rail	right, center	1							
	05/02-06/05B41	satin black									
(12)	3B9 860 148 B	cover roof rail	right, center	1							
	05/02-06/052ZZ	chrome									
(13)	3B9 860 149 B	cover roof rail	left rear	1							
	05/02-06/05B41	satin black									
(13)	3B9 860 149 C	cover roof rail	left rear	1							
	05/02-06/052ZZ	chrome									
13	3B9 860 150 B	cover roof rail	right rear	1							
	05/02-06/05B41	satin black									
(13)	3B9 860 150 C	cover roof rail	right rear	1							
	05/02-06/052ZZ	chrome									
(14)	+ N 023 003 8	shouldered hex. nut, self-locking	AM8	6							
15	N 023 732 1	retaining washer	C10,5	6							


Model	Year	MG	SG	Illustration	Restrictions	UPD	21:58	11.12.2006		ETKA
PA	2005	8	19	819-31		597	USA			




Pos	Part Number	Name	Remarks	Qty	Model
		air and footwell heater ducts, air hoses and vents water deflector			
(1)	3B1 819 415 E	water deflector		lhd 1	
	05/02-06/05B41	satin black			
(2)	3B1 819 447 A	cover plate for water box		lhd 1	
	05/02-05/03B41	satin black		lhd 1	
(2)	3B1 819 447 B	cover plate for water box		lhd 1	
	06/03-06/05B41	satin black		lhd 1	
(3)	3B1 819 422 A	cover		lhd 1	
	05/02-05/0301C	satin black			
(3)	3B1 819 422 B	cover		lhd 1	
	06/03-06/05B41	satin black			
4	3B0 815 947 B	bracket inspection cover dust and pollen filter			1
	05/02-06/05B41	satin black			
-	AKD 497 010 04	sealing cord in coils of 10m 'order qty. 1'			*
	05/02-06/05R10	sealing cord	10X2MM		
(5)	3B0 819 703 D	air vent	left		1
	05/02-06/052AQ	black	-GA, JJ, JL, RW, TW, VA, XR, XT, YU, YY, ZA, ZR, ZT, 53, BJ, FP, NG, RW		
	05/02-06/054ET	platinum	-GB, GC, JC, JD, RN, TX, TY, VB, VD, XS, YT, ZH, ZJ, ZS, 54, FQ, NJ, NH		

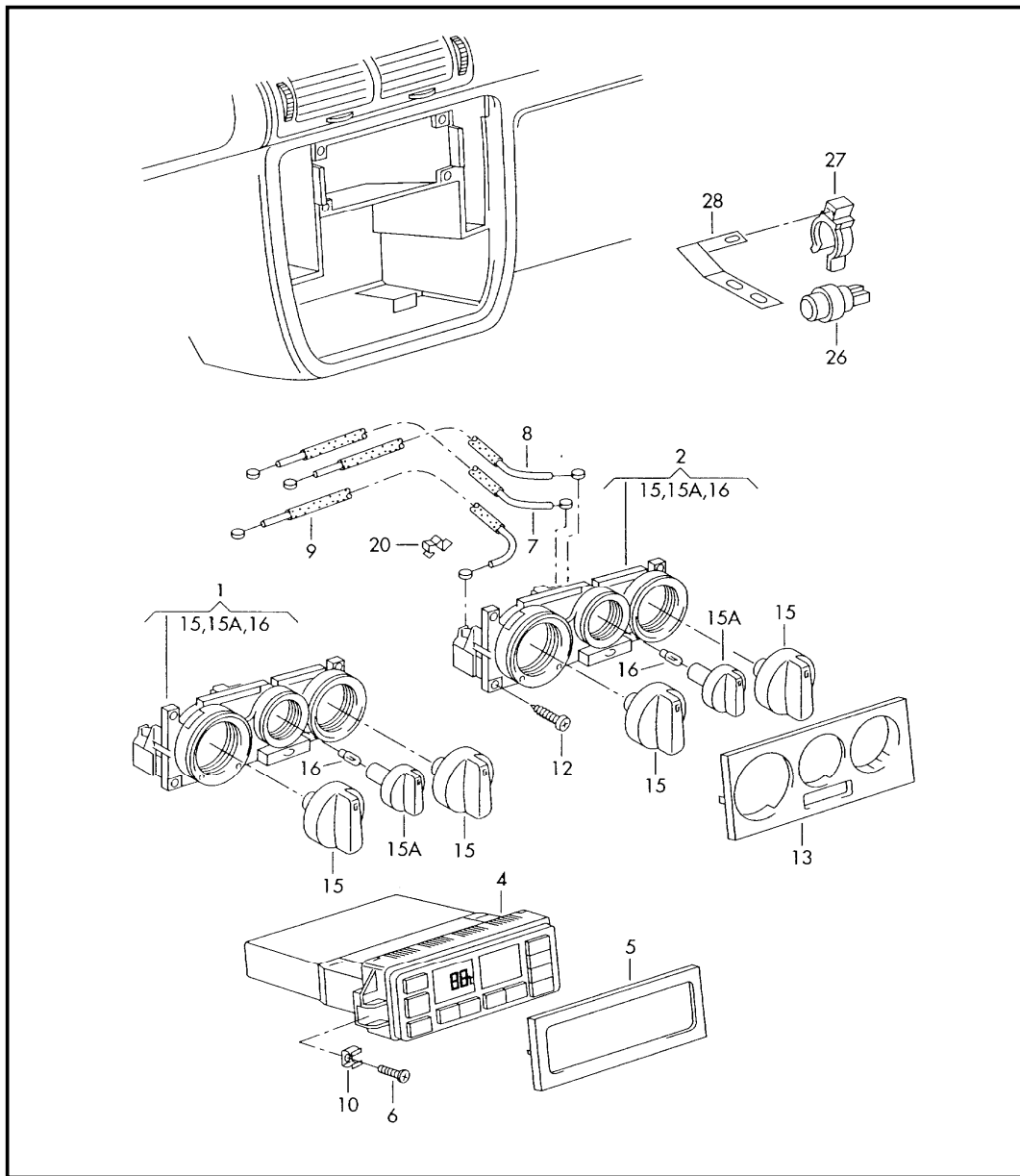
Model	Year	MG	SG	Illustration	Restrictions	UPD	21:58	11.12.2006		ETKA
PA	2005	8	19	819-31		597	USA			

Pos	Part Number	Name	Remarks	Qty	Model	Pos	Part Number	Name	Remarks	Qty	Model
	11/03-06/0575R	anthracite	-BH, BK, GT, GU, JF, JH, LM, LP, MX, MY, NM, NO, QW, QZ, VN, VP, VT, XA, XB, 93, 94, 95, BM, FA, FH, NC, ND, RU, RV, 92, 96				05/02-06/052AQ	black	-GA, JJ, JL, RW, TW, VA, XR, XT, YU, YY, ZA, ZR, ZT, 53, BJ, FP, NG, RW		
	11/03-06/056BK	walnut	-BL, GV, JG, LT, MZ, NN, QY, VU, XE				05/02-06/054ET	platinum	-GB, GC, JC, JD, RN, TX, TY, VB, VD, XS, YT, ZH, ZJ, ZS, 54, FQ, NJ, NH		
(6)	3B0 819 704 D	air vent	right	1			11/03-06/056BK	walnut	-BL, GV, JG, LT, MZ, NN, QY, VU, XE		
	05/02-06/052AQ	black	-GA, JJ, JL, RW, TW, VA, XR, XT, YU, YY, ZA, ZR, ZT, 53, BJ, FP, NG, RW				11/03-06/0575R	anthracite	-BH, BK, GT, GU, JF, JH, LM, LP, MX, MY, NM, NO, QW, QZ, VN, VP, VT, XA, XB, 93, 94, 95, BM, FA, FH, NC, ND, RU, RV, 92, 96		
	05/02-06/054ET	platinum	-GB, GC, JC, JD, RN, TX, TY, VB, VD, XS, YT, ZH, ZJ, ZS, 54, FQ, NJ, NH								
	11/03-06/0575R	anthracite	-BH, BK, GT, GU, JF, JH, LM, LP, MX, MY, NM, NO, QW, QZ, VN, VP, VT, XA, XB, 93, 94, 95, BM, FA, FH, NC, ND, RU, RV, 92, 96			13	3B1 819 705	air vent for door window	left lhd	1	
	11/03-06/056BK	walnut	-BL, GV, JG, LT, MZ, NN, QY, VU, XE				05/02-06/052AQ	black	-GA, JJ, JL, RW, TW, VA, XR, XT, YU, YY, ZA, ZR, ZT, 53, BJ, FP, NG, RW		
	11/03-06/054ET						05/02-06/054ET	platinum	-GB, GC, JC, JD, RN, TX, TY, VB, VD, XS, YT, ZH, ZJ, ZS, 54, FQ, NJ, NH		
10		see illustration:	941-50				11/03-06/056BK	walnut	-BL, GV, JG, LT, MZ, NN, QY, VU, XE		
11	3B0 819 681	cover		1			11/03-06/0575R	anthracite	-BH, BK, GT, GU, JF, JH, LM, LP, MX, MY, NM, NO, QW, QZ, VN, VP, VT, XA, XB, 93, 94, 95, BM, FA, FH, NC, ND, RU, RV, 92, 96		
	05/02-06/052AQ	black	-GA, JJ, JL, RW, TW, VA, XR, XT, YU, YY, ZA, ZR, ZT, 53, BJ, FP, NG, RW								
	05/02-06/054ET	platinum	-GB, GC, JC, JD, RN, TX, TY, VB, VD, XS, YT, ZH, ZJ, ZS, 54, FQ, NJ, NH			(13)	3B0 819 706	air vent for door window	right lhd left rhd	1 1	
(12)	3B0 819 728 D	air vent	center	1							


Model	Year	MG	SG	Illustration	Restrictions	UPD	21:58	11.12.2006		ETKA
PA	2005	8	19	819-31		597	USA			

Pos	Part Number	Name	Remarks	Qty	Model	Pos	Part Number	Name	Remarks	Qty	Model
	05/02-06/052AQ	black	-GA, JJ, JL, RW, TW, VA, XR, XT, YU, YY, ZA, ZR, ZT, 53, BJ, FP, NG, RW			(15)	3B1 816 363 F	intermediate plate for air distribution housing	lhd	1	
								also use:	8D0 819 598	1	PR-9AA, 9AB
	05/02-06/054ET	platinum	-GB, GC, JC, JD, RN, TX, TY, VB, VD, XS, YT, ZH, ZJ, ZS, 54, FQ, NJ, NH			28	4B0 820 539	temperature sensor		1	
						29	8D0 819 598	plug		1	PR-9AA, 9AB
	11/03-06/056BK	walnut	-BL, GV, JG, LT, MZ, NN, QY, VU, XE			16	3B1 819 081 C	intermediate piece	lhd	1	
						20	3B0 819 503	air duct for rear footwell heating	left front	1	
	11/03-06/0575R	anthracite	-BH, BK, GT, GU, JF, JH, LM, LP, MX, MY, NM, NQ, QW, QZ, VN, VP, VT, XA, XB, 93, 94, 95, BM, FA, FH, NC, ND, RU, RV, 92, 96			21	3B0 819 504	air duct for rear footwell heating	right front	1	
						24	3B0 819 513 A	air duct	left lower	1	
						25	3B0 819 514 A	air duct	right lower	1	
(14)	3B1 819 635	air vent	center	lhd 1		(25A) +	N 907 965 01	clamping washer	B5X30X0,4	4	
	05/02-06/052AQ	black	-GA, JJ, JL, RW, TW, VA, XR, XT, YU, YY, ZA, ZR, ZT, 53, BJ, FP, NG, RW			26	4A0 819 181	vent trim		2	
						27	3B1 820 701	fresh air outlet	lhd	1	air condit.
	05/02-06/054ET	platinum	-GB, GC, JC, JD, RN, TX, TY, VB, VD, XS, YT, ZH, ZJ, ZS, 54, FQ, NJ, NH			27A	3B0 820 702	gasket		1	air condit.
						-	N 904 130 04	screw, hex. hd.	6X19	2	
	11/03-06/056BK	walnut	-BL, GV, JG, LT, MZ, NN, QY, VU, XE			30	3B1 816 311	air hose	lhd	1	air condit.
						31	3B0 816 355	valve		1	air condit.
	11/03-06/0575R	anthracite	-BH, BK, GT, GU, JF, JH, LM, LP, MX, MY, NM, NQ, QW, QZ, VN, VP, VT, XA, XB, 93, 94, 95, BM, FA, FH, NC, ND, RU, RV, 92, 96				05/02-06/0501C	satin black		2	
						34	3B0 819 145	clamp		2	
						35	3B1 819 425	cap	lhd	1	
							05/02-06/05B41	satin black			
						36 +	3B0 919 243 B	bulb holder with bulb air vent		3	
-	N 013 950 2	tapping screw, fill. hd.	B3,5X19	3							
14A	411 853 731	speed nut		3							


Model	Year	MG	SG	Illustration	Restrictions	UPD	21:58	11.12.2006		ETKA
PA	2005	8	19	819-41		597	USA			

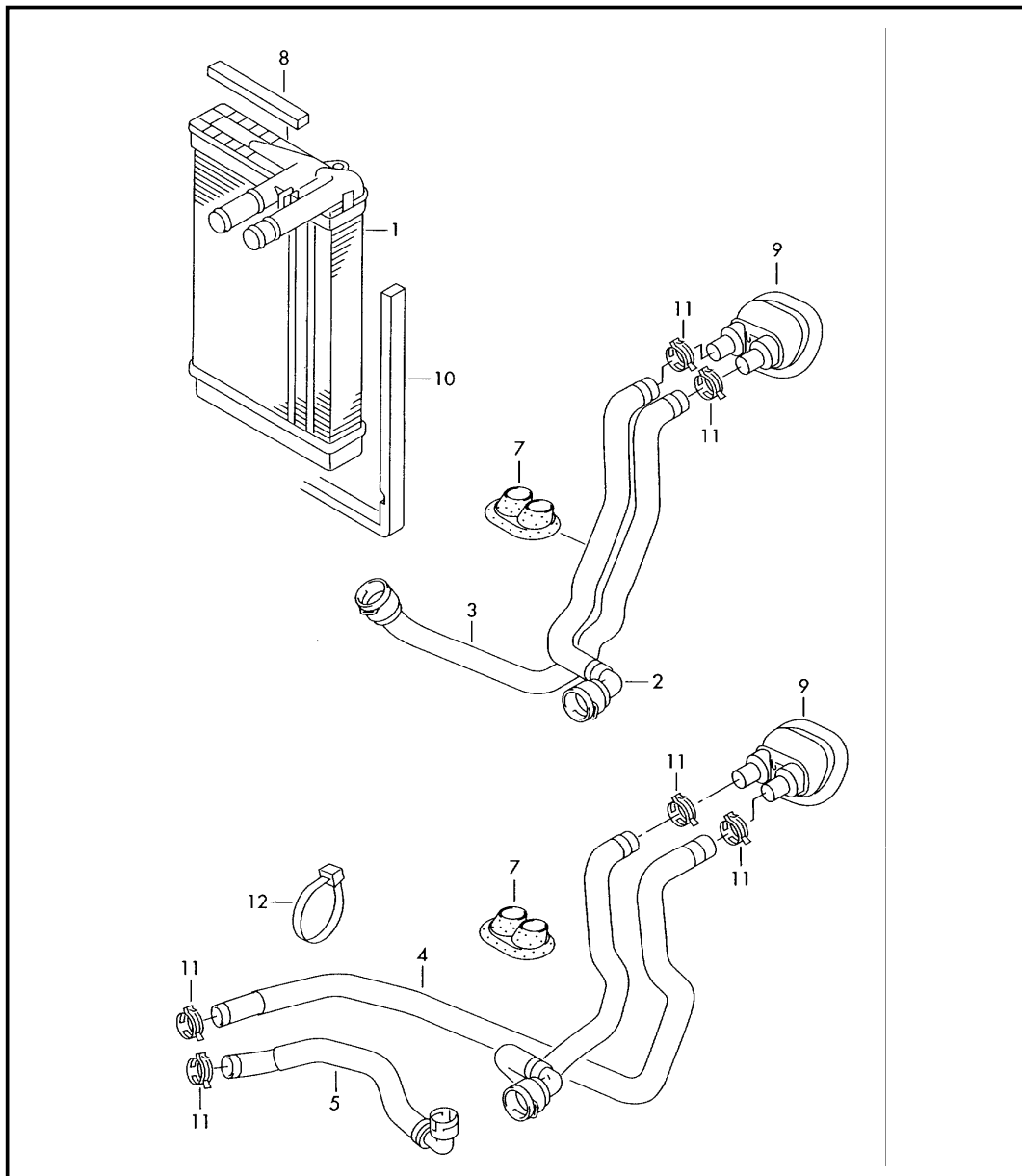


Pos	Part Number	Name	Remarks	Qty	Model
(1)	1J0 819 045 G	fresh air and heater controls		1	
(2)	1J0 820 045 G	fresh air and heater controls for vehicles with manually regulated air conditioner		1	
(4)		see illustration:	941-50		
(5)		see illustration:	941-50		
(7)	3B1 819 831	cable for control flap	694MM black lhd	1	
(8)	3B1 819 835	cable for defroster flap	548MM white lhd	1	
(9)	3B1 819 837	cable for temp. control flap	415MM red lhd	1	
11	N 902 825 01	speed nut	3,1X13X11,5	4	
(12) +	N 902 412 03	fillister hd. screw	M4X20	X	
(13)	3B0 819 075 C	trim for fresh air and heater controls and/or for vehicles with manually regulated air conditioner		1	
	05/02-06/0501C	satin black		1	
(13)	1J0 819 157 G	trim for fresh air and heater controls and/or for vehicles with manually regulated air conditioner		1	PR-5MA, 2T1
	05/02-06/052AQ	black			
(13)	3B0 819 075 D	trim for fresh air and heater controls and/or for vehicles with manually regulated air conditioner		1	
	05/02-06/052WE	burr walnut			
	05/02-11/0393G	vavona (amber)			


Model	Year	MG	SG	Illustration	Restrictions	UPD	21:58	11.12.2006		ETKA
PA	2005	8	19	819-41		597	USA			

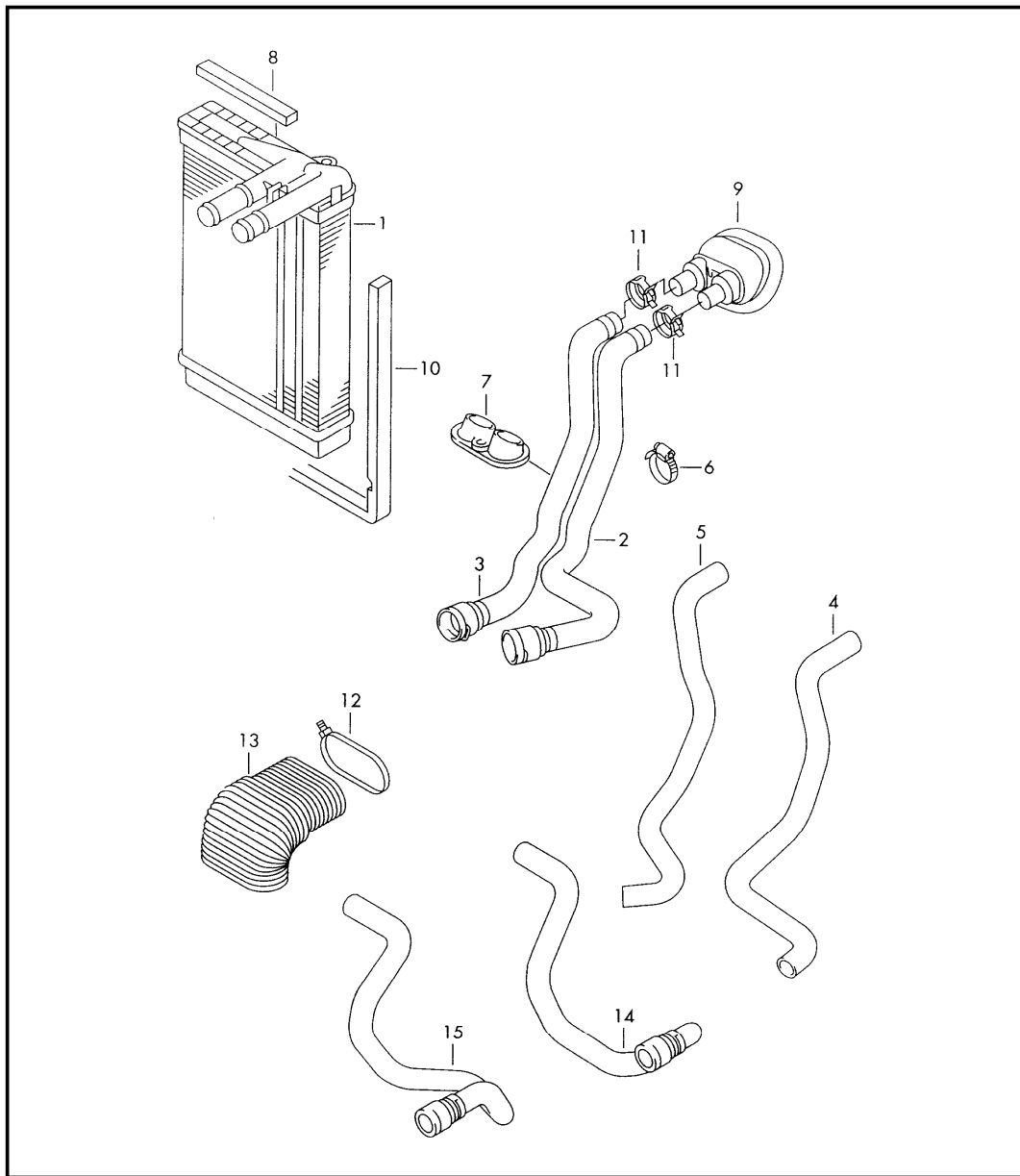
Pos	Part Number	Name	Remarks	Qty	Model	Pos	Part Number	Name	Remarks	Qty	Model
	05/02-06/054BA	tamo (root brown)									
(13)	3B0 819 075 E	trim for fresh air and heater controls and/or for vehicles with manually regulated air conditioner		1							
	05/02-06/052ZS	black/brown-netoptic		1							
(13)	1J0 819 157 B	trim for fresh air and heater controls		1	PR-5MD,2T1						
	05/02-06/052ZS	black/brown-netoptic									
(13)	1J0 819 157 A	trim for fresh air and heater controls		1	PR-2T1						
	05/02-06/052WE	burr walnut			PR-5MG						
	05/02-11/0393G	vavona (amber)			PR-5TW						
	05/02-06/054BA	tamo (root brown)			PR-5TK						
(15)	1J0 819 129	button		2							
	05/02-06/0501C	satin black		1							
15A	1J0 819 129 A	button		1							
	05/02-06/0501C	satin black		1							
16 +	N 017 751 2	bulb illumination for fresh air controls	W5/1,2W12V1,2W front center	1							
26	1H0 959 625	temperature switch for vehicles with manually regulated air conditioner	outer	1							

Model	Year	MG	SG	Illustration	Restrictions	UPD	21:59	11.12.2006		ETKA
PA	2005	8	19	819-51		597	USA			




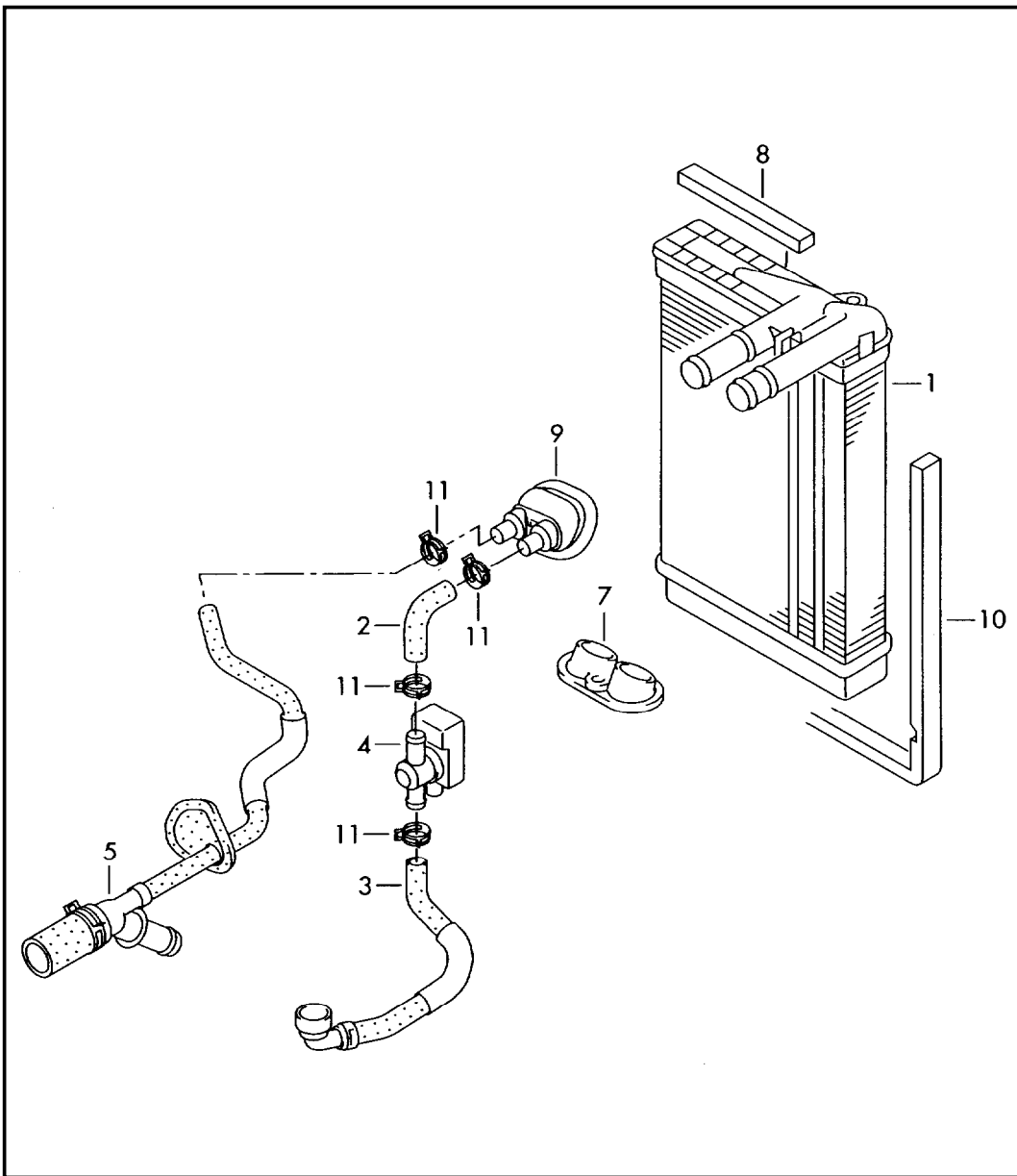
Pos	Part Number	Name	Remarks	Qty	Model
		heat exchanger water hoses	heater air condit.		4-cylinder+ AWM diesel eng.+ BHW
(1)	8D1 819 031 C	heat exchanger	lhd	1	
2	8D0 819 373 N	water hose (heat exchanger > water pipe)	return	lhd	1
3	8D0 819 371 H	water hose (flange > heat exchanger)	feed	lhd	1
(2)		see illustration:	121-41		BHW
4	3B0 819 374 B	water hose	lhd	1	
7	8D0 819 699	double grommet water hose		1	
8	321 819 017	gasket	680X8X10	1	
9	8D0 819 699 A	double grommet heat exchanger adapter		1	
10	7D0 819 069	gasket	810X25X6	1	
(11)	N 906 870 01	spring clip	B27X12	1	

Model	Year	MG	SG	Illustration	Restrictions	UPD	21:59	11.12.2006		ETKA
PA	2005	8	19	819-61		597	USA			




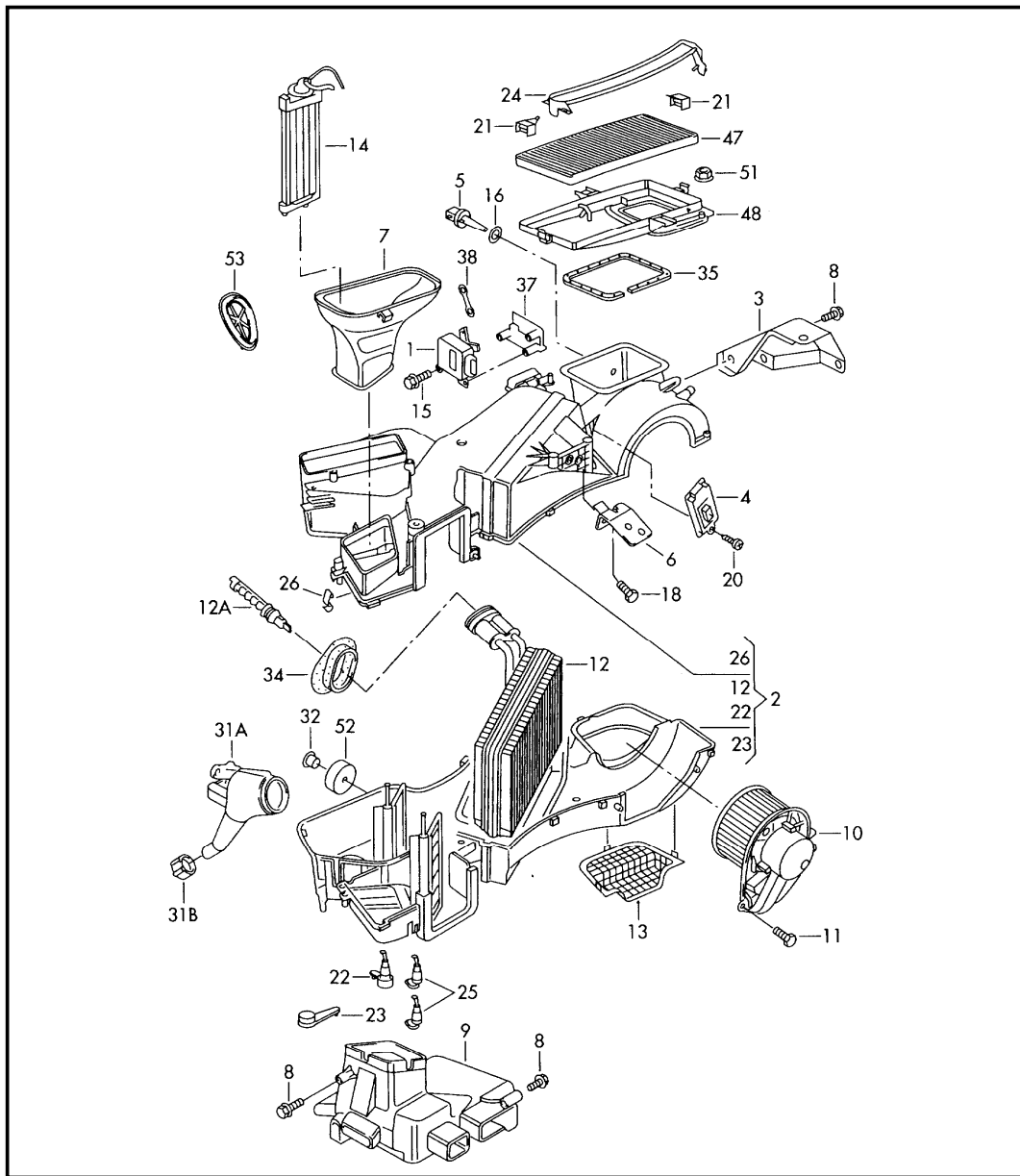
Pos	Part Number	Name	Remarks	Qty	Model
		heat exchanger water hoses	heater air condit.		6-cylinder+ ATQ
(1)	8D1 819 031 C	heat exchanger	lhd	1	
(2)	8D0 819 371 BB	water hose (flange > heat exchanger)	feed	lhd	1
(3)	8D0 819 373 AF	water hose (heat exchanger > water pipe)	return	lhd	1
6 +	N 905 618 01	clamp	AL16-28	4	
7	8D0 819 699	double grommet		1	
8	321 819 017	gasket	680X8X10	1	
9	8D0 819 699 A	double grommet		1	
10	7D0 819 069	gasket	810X25X6	1	
(11)	N 906 870 01	spring clip	B27X12	1	
12 +	N 906 661 01	tie wrap	5X6,5	X	
13	8D0 819 387	protective pipe		1	

Model	Year	MG	SG	Illustration	Restrictions	UPD	21:59	11.12.2006		ETKA
PA	2005	8	19	819-81		597	USA			




Pos	Part Number	Name	Remarks	Qty	Model
		heat exchanger water hoses			8 cylinder
1	8D1 819 031 C	heat exchanger	lhd	1	
2		see illustration:	121-64		
3		see illustration:	121-64		
4	3B7 819 809	heater valve		1	
5		see illustration:	121-64		
8	191 819 069	gasket		1	
(9)	8D0 819 699 B	double grommet		1	
10	321 819 069 C	gasket	390X20X3	1	


Model	Year	MG	SG	Illustration	Restrictions	UPD	21:59	11.12.2006		ETKA
PA	2005	8	20	820-10		597	USA			

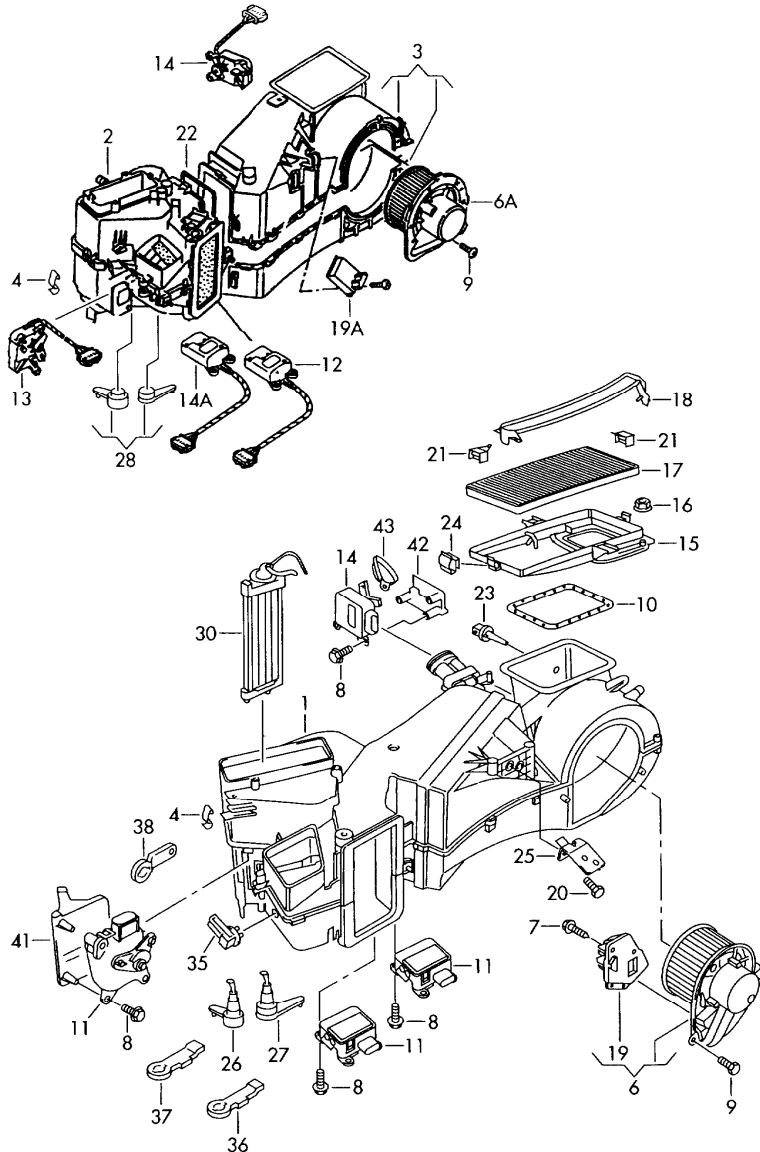


Pos	Part Number	Name	Remarks	Qty	Model
-	8D1 820 005 M	air distribution housing evaporator housing evaporator fan		1	air condit.
1	1J0 907 511	air conditioner		1	
		control motor for recirculated air operation possibility	V154	1	
(2)	3B1 820 024	evaporator housing for vehicles with manually regulated air conditioner		lhd 1	
(3)	8D1 819 079 A	retainer heater fan		lhd 1	
4	8D0 959 263	series resistor		lhd 1	
5	1H0 959 625	temperature switch	F38	1	
6		not a spare part			
7	3B1 819 081 C	intermediate piece		lhd 1	
8	N 904 130 04	screw, hex. hd.	6X19	2	
(9)	3B1 819 151 B	footwell vent		lhd 1	
10	8D1 820 021 A	fan		lhd 1	
11	N 014 098 6	tapping screw, csk.	V2 B4, 8X16	3	
(12)	8D1 820 103 D	evaporator		lhd 1	
12A	4B0 820 177	restrictor		1	
13	8D0 820 585	grill	LLKG	1	
15	N 104 241 01	tapping screw, hex. hd.	4X16H	1	
(16)	1H0 959 671 A	bracket for thermostat switch for vehicles with manually regulated air conditioner		1	
17	N 015 458 1	speed nut	B4, 8X19X16	4	
18	N 014 098 6	tapping screw, csk.	B4, 8X16	4	
21	3B0 819 817	lug dust and pollen filter		2	


Model	Year	MG	SG	Illustration	Restrictions	UPD	21:59	11.12.2006		ETKA
PA	2005	8	20	820-10		597	USA			

Pos	Part Number	Name	Remarks	Qty	Model	Pos	Part Number	Name	Remarks	Qty	Model
22	3B1 819 125	lever for temperature regulating flap for vehicles with manually regulated air conditioner	red lhd	1							
23	3B1 820 333	lever for air distribution for vehicles with manually regulated air conditioner	blue lhd	1							
24	3B1 819 979	rain channel		lhd	1						
25	3B1 820 279	intermediate lever for vehicles with manually regulated air conditioner	blue lhd	1							
26	8D1 820 245	clamp		lhd	X						
27	191 819 370	gasket			1						
30 +	N 013 965 5	tapping screw, fill. hd.	B4,2X9,5		2						
31A	8D1 260 113 B	water drain pipe		lhd	1						
(31)	3B7 260 113	water drain pipe		lhd	1	8 cylinder					
31B	1H0 820 119	water drain valve			1						
32	8D0 260 155	drain tube grommet			1						
(34)	8D0 820 119 A	double grommet			1						
35	8D0 819 165 B	gasket intake manifold	14X20X560		1						
36		not a spare part									
37	3B1 820 515	bracket f.throttle contr.elem.		lhd	1						
41	N 903 425 03	speed nut	M6X19,5X18		2						
(47)	1H0 819 644 B	dust and pollen filterelement			1						
(48)	3B1 819 640 A	filter housing for vehicles with dust and pollen filter		lhd	1						
(49)	8D0 819 449	clamp frame			1						
51	N 023 002 6	hex. nut, self-locking	AM6		3						
52	8D0 260 115	gasket			1						


Model	Year	MG	SG	Illustration	Restrictions	UPD	21:59	11.12.2006		ETKA
PA	2005	8	20	820-20		597	USA			

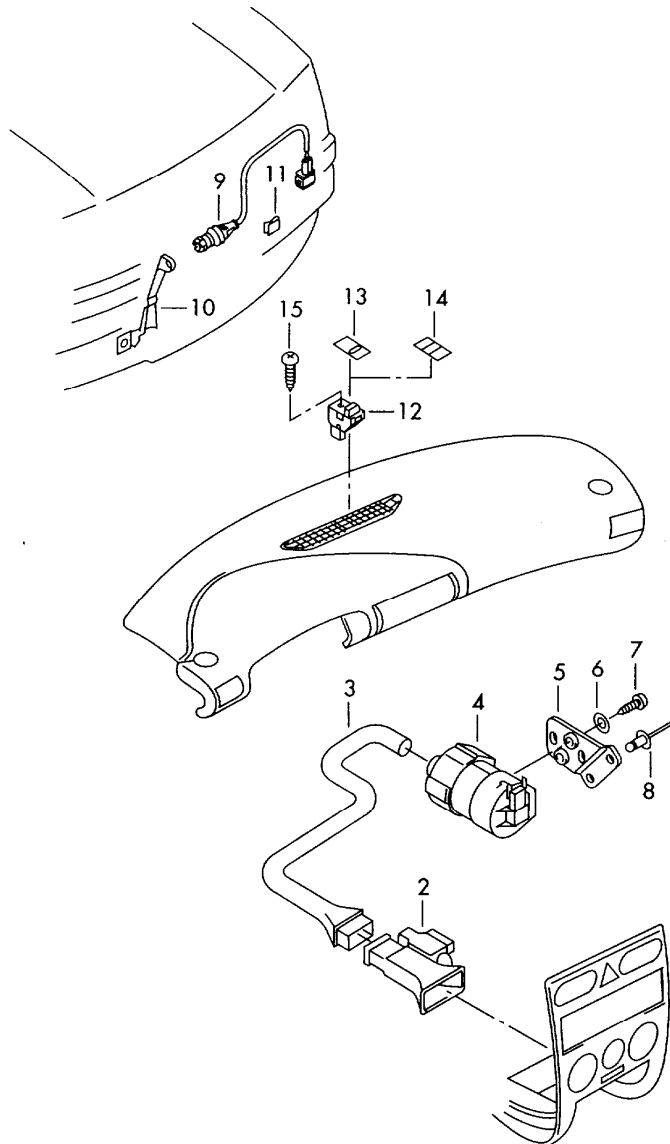


Pos	Part Number	Name	Remarks	Qty	Model
		air conditioner with electronic regulation			
1	8D1 820 024 B	evaporator housing	lhd	1	
4	321 819 059	clamp		X	
(4)	8D1 820 245	clamp	lhd	X	
5	191 819 370	gasket		1	
6	8D1 820 021	fan	lhd	1	
8	N 104 241 01	tapping screw, hex. hd.	4X16H	1	
9	N 014 098 6	tapping screw, csk.	B4, 8X16	4	
(10)	8D0 819 165 B	gasket intake manifold	14X20X560	1	
(11)	8D1 820 511 B	motor for adjustment	V68, V70, V85	lhd 1	
(14)	8D1 820 511 E	control motor for recirculated air operation possibility	V71	lhd	1
(15)	3B1 819 640 A	filter housing for vehicles with dust and pollen filter		lhd	1
16	N 023 002 6	hex. nut, self-locking	AM6	1	
(17)	1H0 819 644 B	dust and pollen filterelement		1	
18	3B1 819 979	rain channel		lhd	1
19	8D1 907 521	blower control	J26	lhd	1
20	+ N 010 217 10	screw, hex. hd.	M6X20	1	
21	3B0 819 817	lug dust and pollen filter		2	
23	4A0 820 539	temperature sensor	G89	1	
24	8D0 819 449	clamp for dust-pollen filter		1	
26	8D1 820 358	lever for air distribution for vehicles with electronically regulated air condit.		lhd lhd	1
25		not a spare part			


Model	Year	MG	SG	Illustration	Restrictions	UPD	21:59	11.12.2006		ETKA
PA	2005	8	20	820-20		597	USA			

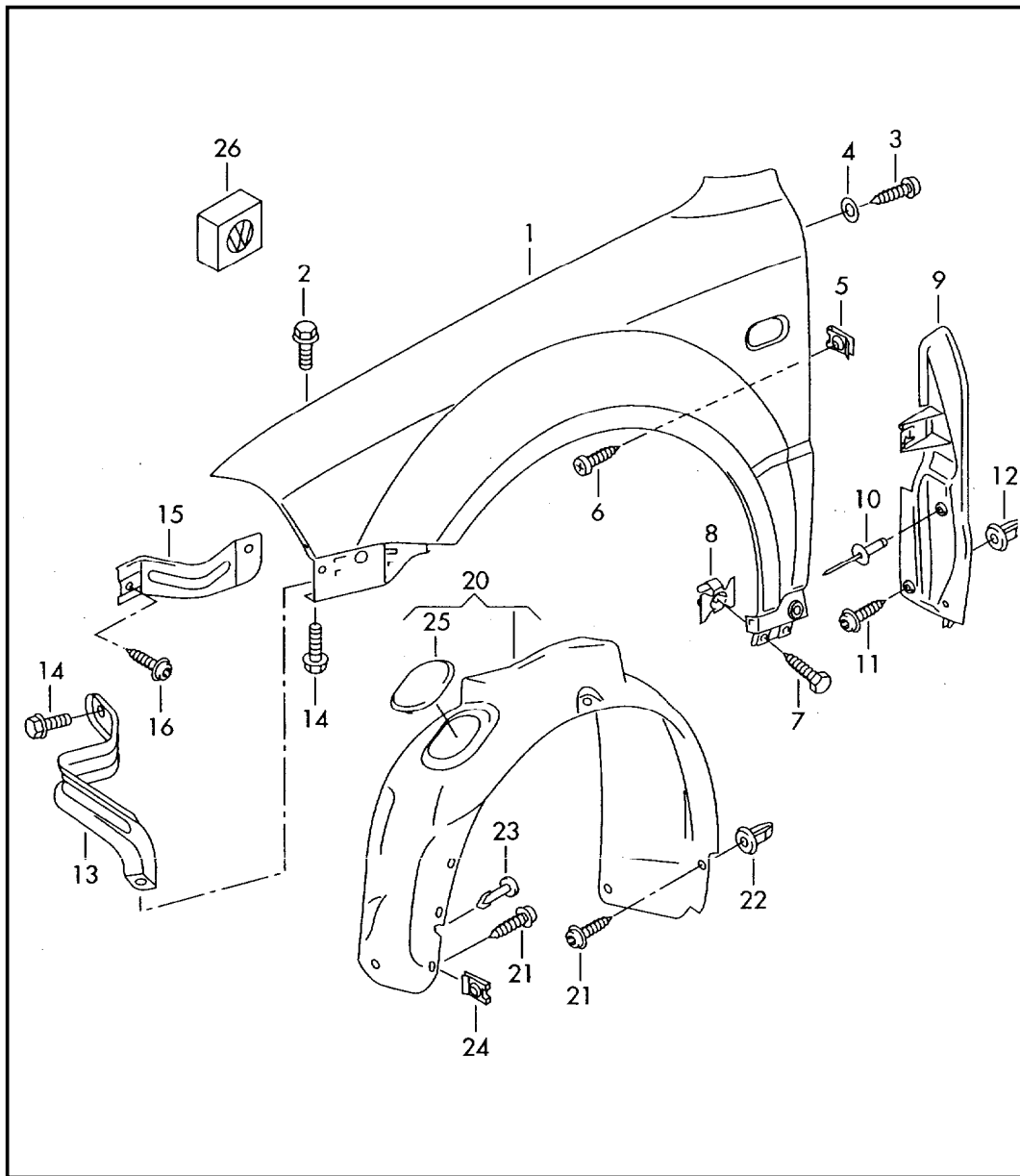
Pos	Part Number	Name	Remarks	Qty	Model	Pos	Part Number	Name	Remarks	Qty	Model
27	8D1 820 553	lever for defroster flap	red lhd	1							
32	N 903 425 03	speed nut	M6X19,5X18	2							
35	1H0 907 543 A	temperature sensor	G192	1							
36	8D1 820 277	connecting rod	blue	1							
37	8D1 820 277 A	connecting rod	red	1							
38	8D1 820 657 B	connecting rod	natural lhd	1							
41	3B1 820 514	bracket f.throttle contr.elem.	lhd	1							
42	3B1 820 515	bracket f.throttle contr.elem.	lhd	1							

Model	Year	MG	SG	Illustration	Restrictions	UPD	22:01	11.12.2006		ETKA
PA	2005	8	20	820-31		597	USA			




Pos	Part Number	Name	Remarks	Qty	Model
		fan temperature sensor for vehicles with electronically regulated air condit.			
9	8Z0 820 535	outside temperature sensor		1	
10	8D0 820 536 C	bracket temperature sensor	outer	1	
-	N 906 539 01	retaining clip	C16X7,6	4	
15	N 013 950 2	tapping screw, fill. hd.	B3,5X19	3	
12	8D0 907 539	sun sensor		1	
		see illustration:	819-31		
14		see illustration:	941-50		


Model	Year	MG	SG	Illustration	Restrictions	UPD	22:01	11.12.2006		ETKA
PA	2005	8	21	821-10		597	USA			

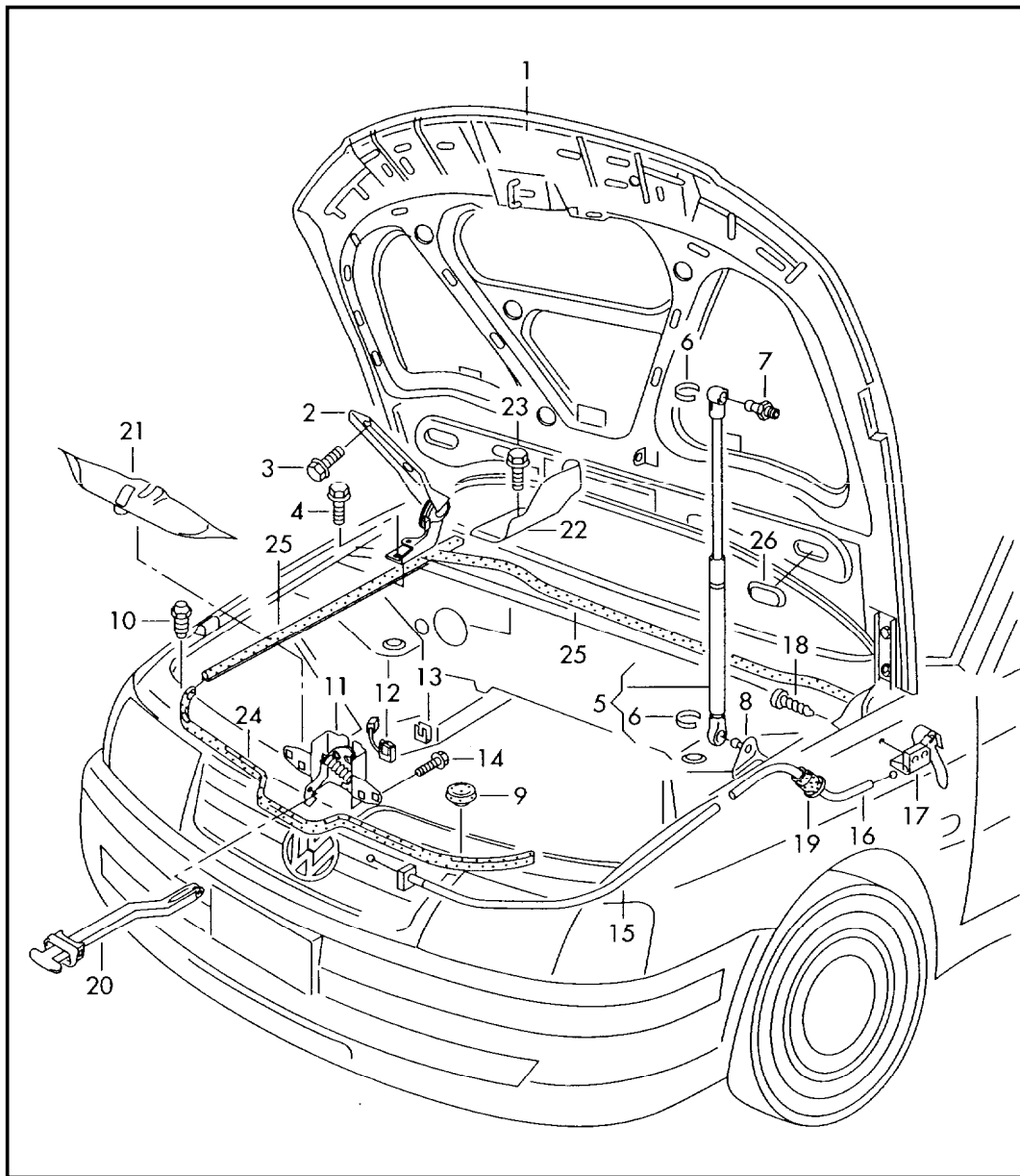


Pos	Part Number	Name	Remarks	Qty	Model
		fender wheelhouse protector	front		
1	3B0 821 105 E	fender F >> 3B-4P152 545 F >> 3B-4E187 002*	left	1 1	
(1)	3B0 821 105 G	fender F 3B-4P152 546>> F 3B-4E187 003>>*	left	1 1	
(1)	3B0 821 106 E	fender F >> 3B-4P152 545* F >> 3B-4E187 002*	right	1 1	
(1)	3B0 821 106 G	fender F 3B-4P152 546>> F 3B-4E187 003>>*	right	1 1	
2	+ N 100 091 04	bolt, hex. hd. (combi.)	M6X12	8	
3	+ N 013 968 19	tapping screw, fill. hd.	ST4,8X13-C	2	
4	N 011 692 9	washer	5,1X15X1	2	
5	N 906 584 01	speed nut	M6X24X14	4	
6	+ N 100 091 04	bolt, hex. hd. (combi.)	M6X12	4	
7	N 102 668 02	tapping screw, hex. hd. (combi)	ST6,3X16-Z2	4	
8	+ N 103 055 02	speed nut	B6,3	4	
9	3B0 821 111 B	end plate	left	1	
(9)	3B0 821 112 B	end plate	right	1	
10	N 908 131 01	pop-rivet	A6X8	2	
11	+ N 907 750 01	innensechsrund-blechschaube	4,8X16	2	
12	+ N 908 214 01	expanding nut	D4,8	2	
13	3B0 821 135 D	cross support	left	1	
(13)	3B0 821 136 C	cross support	right	1	
14	+ N 100 091 04	bolt, hex. hd. (combi.)	M6X12	8	
15	3B0 821 237 A	support plate	left	1	
(15)	3B0 821 238 A	support plate	right	1	
16	N 908 913 01	innensechsrund-linsenschraube (kombi)	M6X20-E-SP	4	
20	3B0 809 957	wheelhouse protector	left front	1	


Model	Year	MG	SG	Illustration	Restrictions	UPD	22:01	11.12.2006		ETKA
PA	2005	8	21	821-10		597	USA			

Pos	Part Number	Name	Remarks	Qty	Model	Pos	Part Number	Name	Remarks	Qty	Model
	05/02-06/0501C	satin black									
(20)	3B7 809 961 A	wheelhouse protector	left front	1	W8						
	05/02-06/0501C	satin black									
(20)	3B0 809 958	wheelhouse protector	right front	1							
	05/02-06/0501C	satin black									
(20)	3B7 809 962 A	wheelhouse protector	right front	1	W8						
	05/02-06/0501C	satin black									
21	+ N 907 750 01	innensechsrund-blechschraube	4,8X16	4							
22	+ N 908 214 01	expanding nut	D4,8	10							
23	+ 4A0 805 121 A	dowel pin		4							
24	+ N 909 707 01	speed nut	ST4,8X17X11,3	6							
25	3B0 809 967	cover		2							
26		attachment parts for one fender ** variant being prepared **		1							


Model	Year	MG	SG	Illustration	Restrictions	UPD	22:01	11.12.2006		ETKA
PA	2005	8	23	823-10		597	USA			

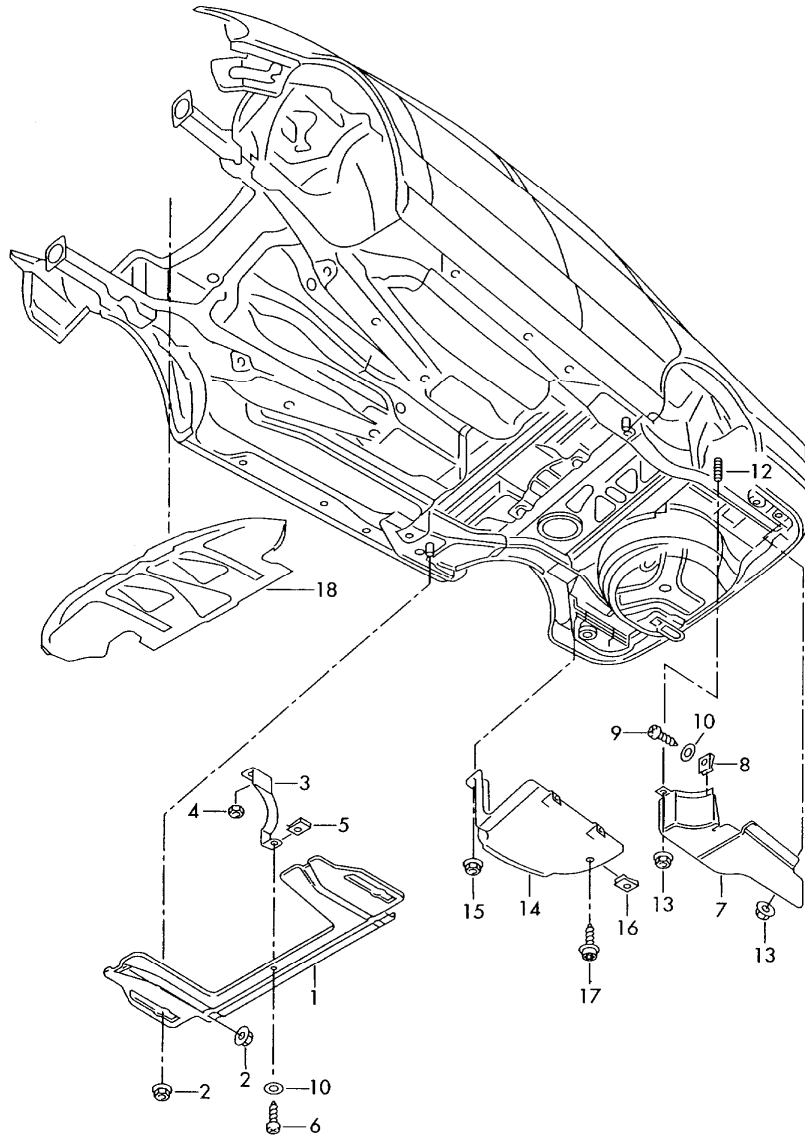


Pos	Part Number	Name	Remarks	Qty	Model
		front hood			
1	3B0 823 031 K	front hood		1	
-		protective foil (adhesive)	left a. right	2	
			make up from: AKL 448 300 04		
		to fit use workshop material			
-	AKL 448 300 04	protective foil	290X210MM	X	
(2)	3B0 823 301 A	hinge - hood	left	1	
2	3B0 823 302 A	hinge - hood	right	1	
3	+ N 101 559 01	bolt, hex. hd. with shoulder	M8X20	4	
4	+ N 101 559 01	bolt, hex. hd. with shoulder	M8X20	4	
5	3B0 823 359 C	gas-filled strut F	aluminium	1	
		>> 3B-4-080 000*			
5	3B0 823 359 C	gas-filled strut F 3B-4-080 001>>*	aluminium	1	8 cylinder
(5)	3B0 823 359 D	gas-filled strut F 3B-4-080 001>>*	black	1	
6	443 823 397	clamp		2	
7	1J6 827 439	ball pin		1	
8	3B0 823 401 B	mounting for gas-filled strut	left lower	1	
9	3B0 823 433 E	buffer	left	1	
(9)	3B0 823 434 C	buffer	right	1	
(9)	3B0 823 481 A	buffer	front center	1	
-	N 907 884 01	fitted bolt	M6X9X16	2	
10	3B0 823 499 B	buffer	23,5X22	2	
11	3B0 823 509 AB	hood - lock	as required use: 3B0 953 236 D	1	
12	3B0 953 236 D	micro switch for vehicles with alarm system		1	
13	3B0 953 248	clamp		1	
14	N 908 204 01	bolt, hex. hd. (combi.) self-locking	M6X16	2	
15	3B1 823 531 D	cable - hood lock	front lhd	1	


Model	Year	MG	SG	Illustration	Restrictions	UPD	22:01	11.12.2006		ETKA
PA	2005	8	23	823-10		597	USA			

Pos	Part Number	Name	Remarks	Qty	Model	Pos	Part Number	Name	Remarks	Qty	Model
16	3B1 823 535 D	cable - hood lock	rear	lhd	1						
17	3B1 823 533	handle for hood lock cable		lhd	1						
	05/02-06/0501C	satin black									
18	N 905 488 01	tapping screw	4,8X19		2						
19	8D0 823 591 A	grommet	26,5/4MM		1						
20	3B0 823 593 D	release rod			1						
	05/02-06/0501C	satin black									
21	3B0 823 603 C	cap for trunk lock			1						
	05/02-06/05B41	satin black									
(22)	3B7 823 629	hinge cover	left		1						
	05/02-06/05B41	satin black									
22	3B7 823 630	hinge cover	right		1						
	05/02-06/05B41	satin black									
23	+ N 905 988 04	innensechsrund-linsenschraube	M6X12-H		2						
24	3B0 823 707 C	gasket for flap	front		1						
25	3B0 823 725 B	gasket			1						
		also use:	3B0 819 145 B		2						
-	3B0 819 145 B	clamp			2						
26	1C0 955 440	plug			2						


Model	Year	MG	SG	Illustration	Restrictions	UPD	22:01	11.12.2006		ETKA
PA	2005	8	25	825-10		597	USA			

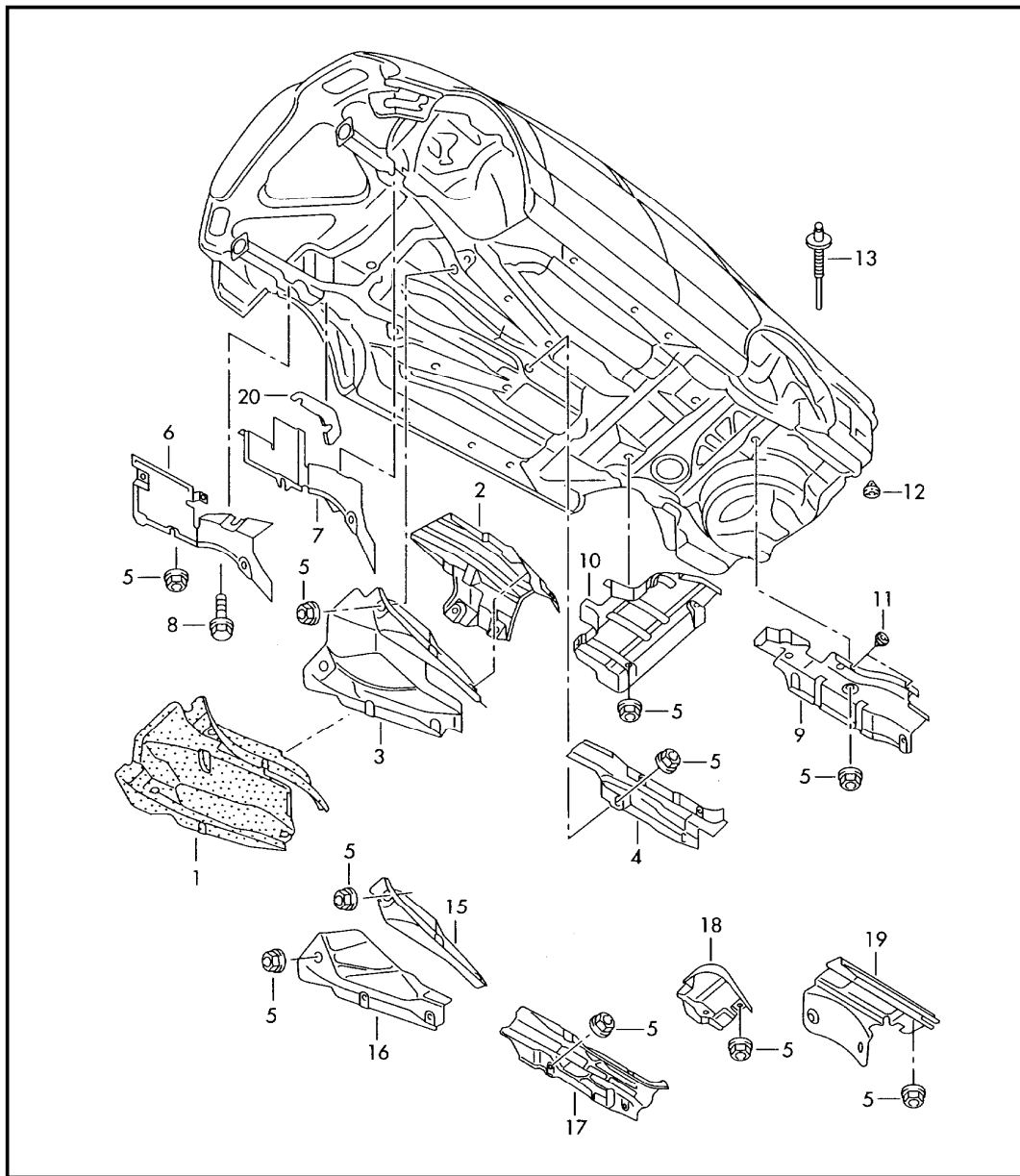


Pos	Part Number	Name	Remarks	Qty	Model
1	8E0 825 215 A	lining floor pan	rear, lower		
		lining	centre/rear	1	fr.wheel drv
2	+ N 902 867 03	hex. nut, self-locking with washer	M6	4	fr.wheel drv
3	8E0 802 417	bracket		1	fr.wheel drv
4	+ N 902 867 03	hex. nut, self-locking with washer	M6	1	fr.wheel drv
5	N 015 436 1	speed nut	ST4,8X15X16,2	1	fr.wheel drv
6	+ N 013 969 4	tapping screw, fill. hd.	B4,8X16	1	fr.wheel drv
7	3B0 825 217 E	lining	left rear	1	fr.wheeldrv: 4-cylinder/ 6 cylinder
(7)	3B0 825 201 E	lining	left rear	1	4motion
7	3B0 825 202 C	lining	right rear	1	4motion
(8)	+ N 015 439 1	speed nut	ST4,8X16,5X13	4	
8	N 015 436 1	speed nut	ST4,8X15X16,2	1	
9	+ N 013 969 4	tapping screw, fill. hd.	B4,8X16	1	
(9)	+ N 907 750 01	innensechsrund-blechschaube	4,8X16	8	
-	+ N 908 338 01	expanding nut	4,8	4	4motion
10	N 011 692 9	washer	5,1X15X1	1	
12	N 906 547 01	threaded pin	FD-M6X18	2	
13	+ N 902 867 03	hex. nut, self-locking with washer	M6	2	
(14)	3B0 825 197 A	lining	right rear	1	AWM,ATQ
(14)	3B0 825 197 B	lining F 3B-4-200 001>>*	right rear	1	BHW
15	+ N 902 867 03	hex. nut, self-locking with washer	M6	2	
16	+ N 015 439 1	speed nut	ST4,8X16,5X13	1	
(16)	N 900 942 01	speed nut	ST4,8X16,5X11	2	
17	+ N 907 750 01	innensechsrund-blechschaube	4,8X16	1	


Model	Year	MG	SG	Illustration	Restrictions	UPD	22:01	11.12.2006		ETKA
PA	2005	8	25	825-10		597	USA			

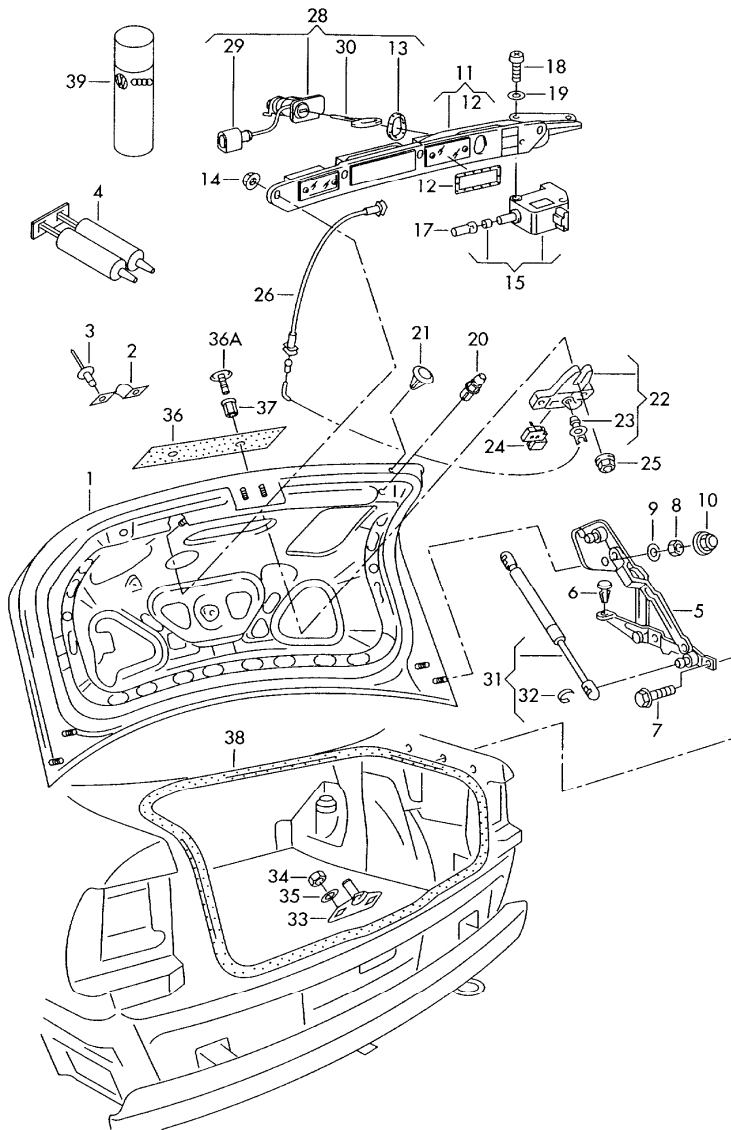
Pos	Part Number	Name	Remarks	Qty	Model	Pos	Part Number	Name	Remarks	Qty	Model
18		damping pan see illustration:	front 863-25								

Model	Year	MG	SG	Illustration	Restrictions	UPD	22:02	11.12.2006		ETKA
PA	2005	8	25	825-20		597	USA			




Pos	Part Number	Name	Remarks	Qty	Model
		heatshield			
1	3B0 825 635 K	heat shield for tunnel for manual transmission	front	1	gas engine: 4-cylinder; 5-,6-,8-cyl. 8 cylinder
		to fit use workshop material			
(1)	3B0 825 635 K	heat shield for tunnel for vehicles with automatic	front	1	gas engine: 4-cylinder; 5-,6-,8-cyl. 1 diesel eng.: 4 cylinder 8 cylinder TDI
		to fit use workshop material			
3	3B0 825 661	heat shield for tunnel for manual transmission	front	1	fr.wheeldrv: 4-,6-cyl. gas engine
(4)	3B7 825 691	heat shield for tunnel	rear	1	8 cylinder
5	+ N 907 088 01	speed nut	AM5	X	
(6)	3B7 825 640 B	heat shield for side member	right	1	8 cylinder
(7)	3B7 825 639 A	heat shield for side member	left	1	8 cylinder
(8)	N 100 004 03	tapping screw, fill. hd.	B4,8X16	1	8 cylinder
8	N 104 065 01	innensechsrund-linsenschraube	M6X12-H	1	8 cylinder
-	+ 811 807 577 C	speed nut		1	8 cylinder
9	3B7 825 711 A	heat shield for exhaust muffler, rear	left rear	1	8 cylinder
(9)	3B7 825 712 B	heat shield for exhaust muffler, rear	right rear	1	8 cylinder
-	3B7 825 627	heat protection plate for cross panel	front	1	8 cylinder
-		cover plates see illustration:	804-10		


Model	Year	MG	SG	Illustration	Restrictions	UPD	22:02	11.12.2006		ETKA
PA	2005	8	27	827-10		597	USA			

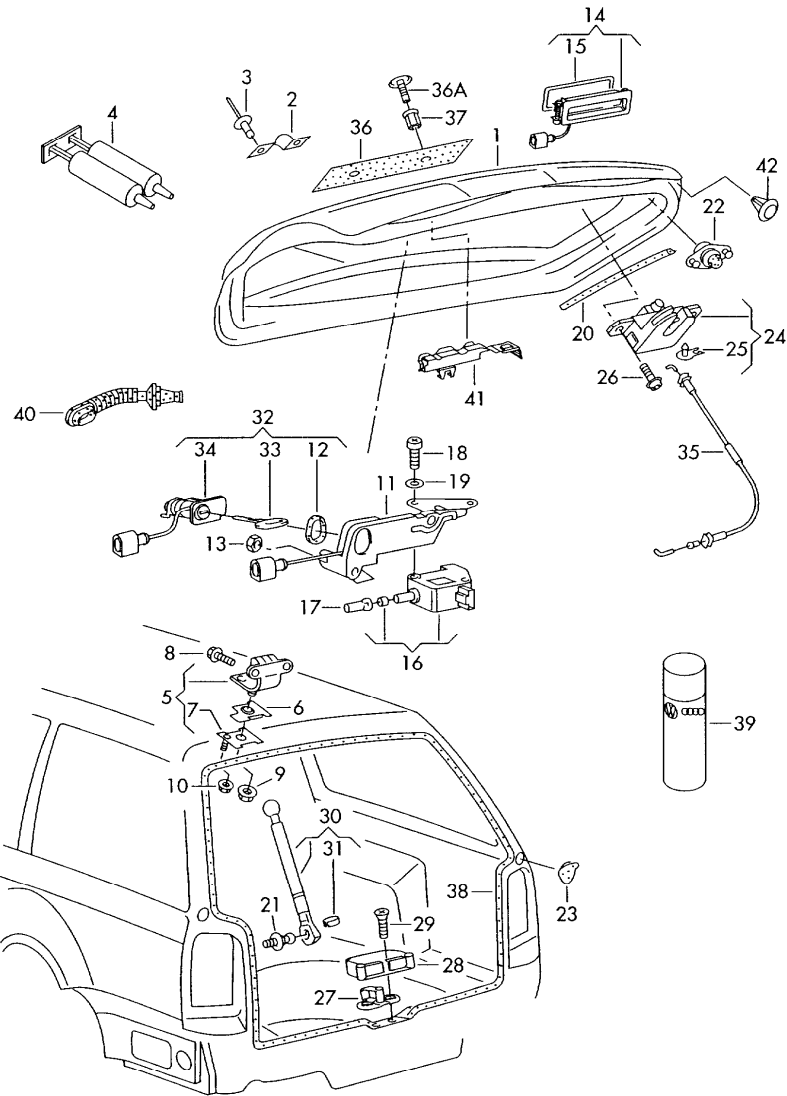


Pos	Part Number	Name	Remarks	Qty	Model
		hood, rear hood - lock			sedan
(1)	3B5 827 025 AL	hood, rear		1	"J.", "MEX", "ROK".
(5)	3B5 827 301 B	hinge - hood	left	1	
5	3B5 827 302 B	hinge - hood	right	1	
6	8D5 827 499	stop		2	
7	+ N 101 559 01	bolt, hex. hd. with shoulder	M8X20	4	
8	+ N 015 083 11	shouldered hex. nut	M8	4	
9	N 900 641 01	lock washer	8, 2X22, 25X1, 4	4	
10	N 906 500 01	cap	17X13 black	4	
11	3B5 827 297 C	grip molding		1	
-	+ 411 945 279	washer		2	
12	3B5 827 359	gasket		2	
13	3B5 827 634	gasket		1	
	05/02-06/05B41	satin black			
14	N 023 002 8	hex. nut, self-locking	AM6	4	
15	3B5 827 061 C	motor for adjustment remote control		1	
17	3B0 862 247 B	connecting piece remote control		1	
18	+ N 014 123 3	fillister hd. screw	M4X10	2	
19	N 012 097 3	lock washer	A4, 3	2	
20	6X0 827 499 B	buffer, adjustable for flap, rear F	>> 3B-3-350 000*	2	
(20)	1J0 827 761	buffer, adjustable for flap, rear F 3B-3-350 001>>*		2	
21	1J0 827 713	plug	9, 3	2	
22	3B5 827 505 M	hood - lock	rear as required use:	1 1	8D5 959 489
23	+ 191 837 199	clip		1	


Model	Year	MG	SG	Illustration	Restrictions	UPD	22:02	11.12.2006		ETKA
PA	2005	8	27	827-10		597	USA			

Pos	Part Number	Name	Remarks	Qty	Model	Pos	Part Number	Name	Remarks	Qty	Model
24	8D5 959 489	switch		1		37	+ N 907 667 01	rivetted cap nut	M6X18,2	2 4	
25	N 023 002 8	hex. nut, self-locking	AM6	2		38	3B5 827 705 G	gasket		1	
26	3B5 827 531 A	cable - hood lock	rear	1		39	G 052 778 A2	lock cylinder lubricant spray	50ML	1	
(26)	3B5 827 532	cable - hood lock emergency release		1							
-		grip for release lever emergency release see illustration:	868-00								
28	>3B0 827 573 H	lock cylinder with keys and housing * cannot be used to restore * the one key locking * system !!	WITTE	1							
(28)	f 107 827 573 JF	lock cylinder without key * to retain the one key * system the key code * number and/or vehicle * ident.number (vin) must * be quoted when ordering	WITTE	1							
30		main key see illustration:	837-00								
31	3B5 827 550 E	gas-filled strut F >> 3B-4-080 000*	aluminium								
(31)	3B5 827 550 E	gas-filled strut F 3B-4-080 001>>*	aluminium	2	8 cylinder						
(31)	3B5 827 550 G	gas-filled strut F 3B-4-080 001>>*	black	2							
32	443 823 397	clamp		4							
33	3B5 827 619	striker		1							
34	+ N 011 006 24	hex. nut	M6	2							
35	N 900 662 02	washer	6,4X22X2,75	2							
36	3B0 827 633 C	packing shorten if necessary F >> 3B-3-384 510* F >> 3B-3E366 507*		1 1							
36A	6Q0 860 137 A	plug F 3B-3-384 511>>* F 3B-3E366 508>>*		2 2							


Model	Year	MG	SG	Illustration	Restrictions	UPD	22:02	11.12.2006		ETKA
PA	2005	8	27	827-20		597	USA			

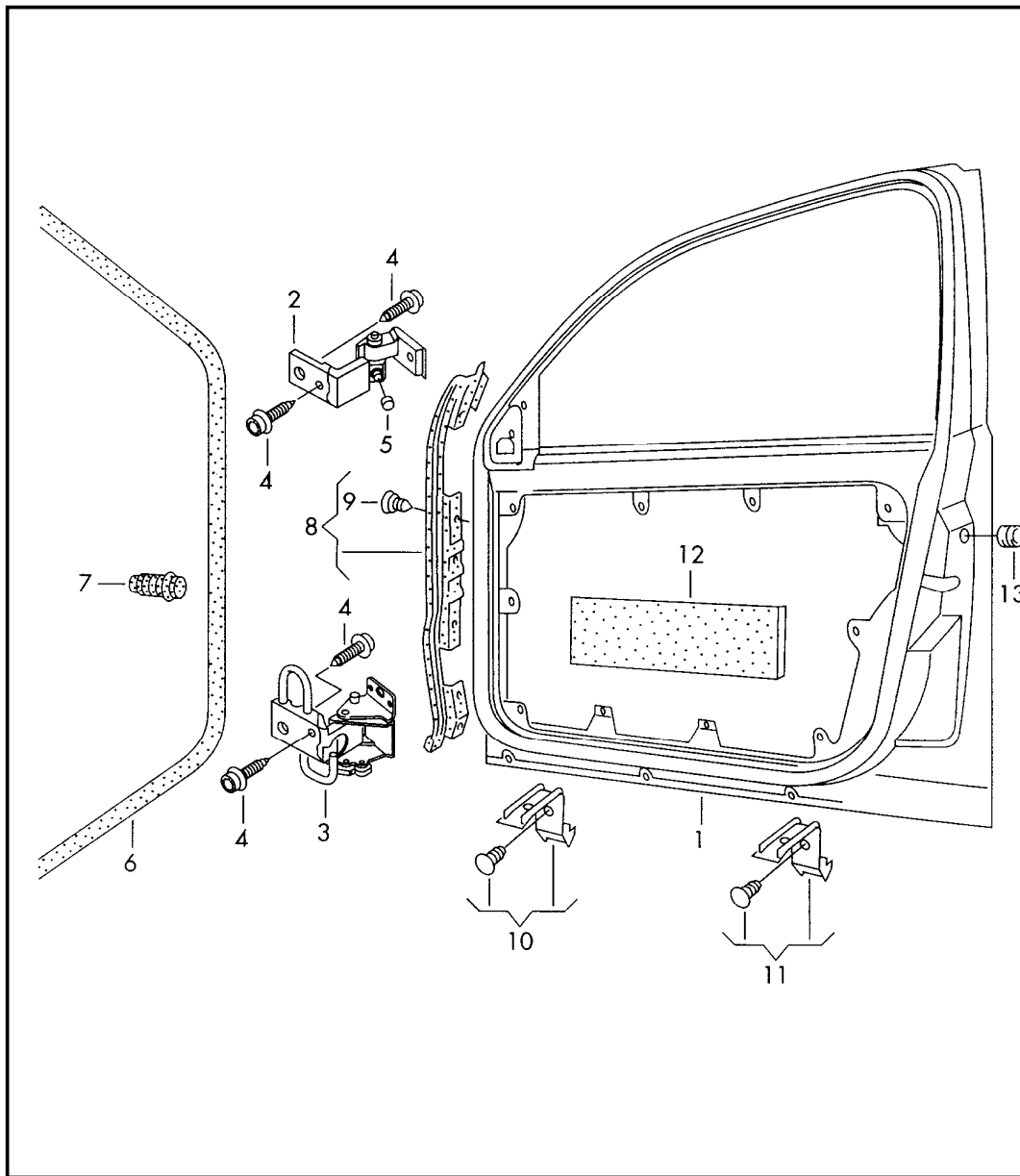


Pos	Part Number	Name	Remarks	Qty	Model
		hood, rear hood - lock			WAGON
(1)	3B9 827 025 AM	hood, rear F >> 3B-5-037 900* F >> 3B-5E068 900*		1	
(1)	3B9 827 025 AR	hood, rear F 3B-5-037 901>>* F 3B-5E068 901>>*		1	
5	3B9 827 301 E	hinge - hood F >> 3B-4-360 000*		2	
(5)	3B9 827 301 F	hinge - hood F 3B-4-360 001>>*		2	
6	3B9 827 157 A	gasket F >> 3B-4-360 000*		2	
8	N 907 322 01	12-point socket shoulder screw	M6X18-V	4	
9	+ N 015 083 11	shouldered hex. nut	M8	2	
10	+ N 022 148 11	hex. nut, self-locking F >> 3B-4-360 000*	VM6	2	
11	3B9 827 297 C	bracket		1	
12	3B5 827 634	gasket		1	
	05/02-06/05B41	satin black			
13	N 023 002 8	hex. nut, self-locking	AM6	2	
14	3B9 827 566 C	button for electrically operated flap - lock		1	
15	3B9 827 669	gasket		1	
16	3B5 827 061 C	motor for adjustment remote control		1	
17	3B0 862 247 B	connecting piece remote control		1	
18	+ N 014 123 3	fillister hd. screw	M4X10	2	
19	N 012 097 3	lock washer	A4,3	2	
20	3B9 827 319	gasket (adhesive) F >> 3B-5-037 900* F >> 3B-5E068 900*	left/right	2	
21	1J6 827 439	ball pin		4	
22	1H9 827 499	buffer	satin black	2	


Model	Year	MG	SG	Illustration	Restrictions	UPD	22:02	11.12.2006		ETKA
PA	2005	8	27	827-20		597	USA			

Pos	Part Number	Name	Remarks	Qty	Model	Pos	Part Number	Name	Remarks	Qty	Model
23		protective foil		2		36	3B0 827 633 C	packing			
-	AKL 448 030 05	protective foil	AKL 448 03 05 0,03X5M transparent	1				shorten if necessary F >> 3B-3-384 511* F >> 3B-3E366 508		1 1	
24	3B9 827 505 E	hood - lock	inner	1		36A	6Q0 860 137 A	plug F 3B-3-384 512>>* F 3B-3E366 508>>*		2 2	
		micro switch	with:								
	05/02-06/05B41	satin black				37	+ N 907 667 01	rivetted cap nut	M6X18,2	2 4	
25	+ 191 837 199	clip		1		38	3B9 827 705 C	gasket	3942MM	1	
26	N 907 449 03	bolt, with polygon socket hd.	M8X20	2		39	G 052 778 A2	lock cylinder lubricant spray	50ML	1	
27	1T0 827 517	striker plate		1		40		grommet	see illustration:	972-86	
28	3B9 864 301 C	cap	black/chrome	1		41	3B9 827 569	cover		1	
	05/02-06/0501C	satin black				42	1J0 827 713	plug	9,3	2	
29	N 908 406 01	fitted bolt	M8X12X23-J	2							
30	1J6 827 550 C	gas-filled strut	aluminium	2							
		F >> 3B-4-080 000*									
30	1J6 827 550 C	gas-filled strut	aluminium	2	8 cylinder						
		F 3B-4-080 001>>									
(30)	1J6 827 550 E	gas-filled strut	black	2							
		F 3B-4-080 001>>*									
31	443 823 397	clamp		2							
(31)	1H5 827 905	safety clamp		2							
32	3B0 827 573 H	lock cylinder with keys and housing	WITTE	1							
		* cannot be used to restore * the one key locking * system !!									
(32)	F 107 827 573 JF	lock cylinder without key	WITTE	1							
		* to retain the one key * system the key code * number and/or vehicle * ident.number (vin) must * be quoted when ordering									
33		main key									
		see illustration:	837-00								
35	3B9 827 531 A	cable - hood lock	rear	1							


Model	Year	MG	SG	Illustration	Restrictions	UPD	22:02	11.12.2006		ETKA
PA	2005	8	31	831-10		597	USA			

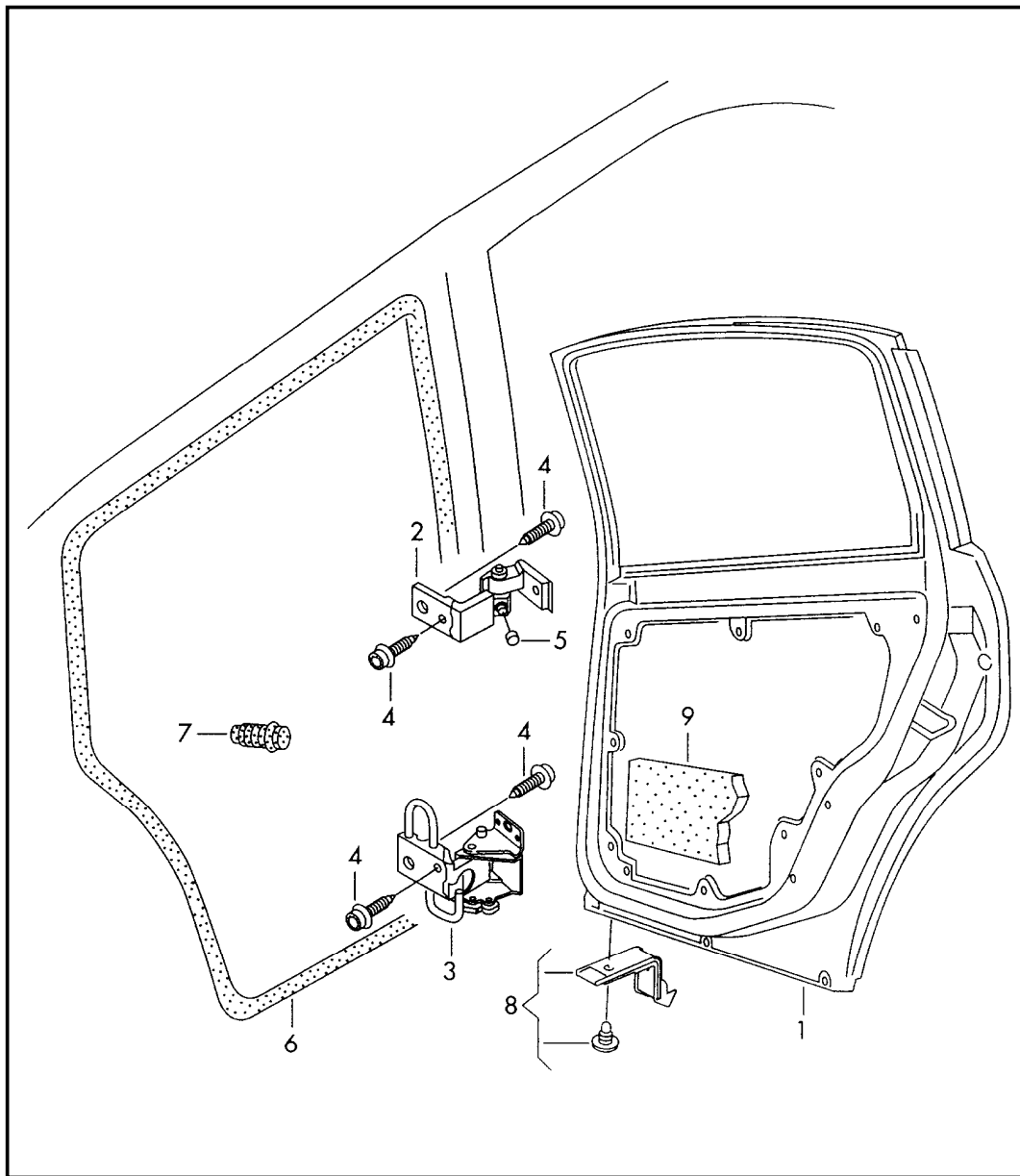


Pos	Part Number	Name	Remarks	Qty	Model
		doors door hinge door seal	front		
(1)	3B4 831 051 BE	door	left also use: *->3B-4-120000 3B0 971 341 D N 903 565 02	1	
(1)	3B4 831 051 BF	door for vehicles with additional seal	left also use: *->3B-4-120000 3B0 971 341 D N 903 565 02	1	PR-6U1
(1)	3B4 831 052 BE	door	right also use: *->3B-4-120000 3B0 971 342 D N 903 565 02	1	
(1)	3B4 831 052 BF	door for vehicles with additional seal	right also use: *->3B-4-120000 3B0 971 342 D N 903 565 02	1	PR-6U1
-	3B0 831 741	buffer	100X30X4	2	
-	3B0 971 341 D	wiring conduit	driver's door	1	
-	3B0 971 342 D	wiring conduit	passenger door	1	
-	N 903 565 02	tapping screw	E4,2X9,5	8	
(2)	1J0 831 401 C	door hinge	left upper	X	
(2)	1J0 831 402 C	door hinge	right upper	X	
(3)	4B0 831 411 B	door hinge	left lower	1	
(3)	4B0 831 412 B	door hinge	right lower	1	
4	N 908 234 03	bolt, with polygon socket hd. door see workshop manual	M8X24-H-TM upper/lower	6	
(4)	N 908 232 01	bolt, with polygon socket hd. pillar a outer see workshop manual	M8X28-H-TM lower	6	


Model	Year	MG	SG	Illustration	Restrictions	UPD	22:02	11.12.2006		ETKA
PA	2005	8	31	831-10		597	USA			

Pos	Part Number	Name	Remarks	Qty	Model	Pos	Part Number	Name	Remarks	Qty	Model
(4)	N 908 233 01	bolt, with polygon socket hd. (combi.) pillar a inner see workshop manual	M8X22 upper	2		7		boot see illustration:	959-00		
(5)	1J0 831 700 A	bolt, hex. hd. with shoulder only for:	M6X10,3/SW13 1J0 831 401 C 1J0 831 402 C	2		(8)	3B0 837 725 A	door seal, outer for vehicles with additional seal	left front	1	PR-6U1
(5)	WHT 000 328	tapered nut only for:	M8X1 6E0 831 401 C 6E0 831 402 C	2		8	3B0 837 726 A	door seal, outer for vehicles with additional seal	right front	1	PR-6U1
(5)	N 904 030 03	cap only for:	13X14 6E0 831 401 C 6E0 831 402 C	2		10	3B0 837 733 B	gasket	front, lower	2	
6	3B0 867 365 M	door seal, inner	left	1			05/02-08/03B41	satin black			
	05/02-06/05MGT	satin black/pearl grey	-BJ, FP, FQ, GA, GB, JC, JJ, JL, NG, NJ, RN, RW, TW, TX, TZ, VA, VB, XR, XT, YU, YY, ZA, ZH, ZR, ZT, 53, BH, BK, GT, GU, LM, LP, MX, RU, QW, VT			-	AKL 448 300 04	protective foil to fit use workshop material	290X210MM	1	
	05/02-10/03MGU	satin black/sunshine beige	-GC, JD, NH, TY, VD, XS, YT, ZJ, ZS, 54			-	893 877 665 A	plug	5X0,8	12	
	11/03-06/05SCJ	satin black/beige	-BL, GV, JG, LT, MZ, NN, QY, VU, XE			12	323 863 950	sound absorber (adhesive) 'order qty. 6' to fit use workshop material	550X250X2	X	
6	3B0 867 366 M	door seal, inner	right	1		(12)	3B0 868 699 A	impact padding	left outer	1	
	05/02-06/05MGT	satin black/pearl grey	-BJ, FP, FQ, GA, GB, JC, JJ, JL, NG, NJ, RN, RW, TW, TX, TZ, VA, VB, XR, XT, YU, YY, ZA, ZH, ZR, ZT, 53, BH, BK, GT, GU, LM, LP, RU, MX, QW			(12)	3B0 868 700 A	impact padding	right outer	1	
	05/02-10/03MGU	satin black/sunshine beige	-GC, JD, NH, TY, VD, XS, YT, ZJ, ZS, 54			-	3B0 868 772	retaining clip		2	
	11/03-06/05SCJ	satin black/beige	-BL, GV, LT, MZ, QY			(12)	3B5 868 697	impact padding	left inner	1	
	05/02-10/03MGU	satin black/sunshine beige	-GC, JD, NH, TY, VD, XS, YT, ZJ, ZS, 54			(12)	3B5 868 698	impact padding	right inner	1	
	11/03-06/05SCJ	satin black/beige	-BL, GV, LT, MZ, QY			13	3B0 837 111	plug	16	2	
							05/02-06/05B41	satin black			
						(13)	N 104 581 01	buffer (self-adhesive)	12,7X3,5	2	
						-		beading impact beam			
						-		make up from:	321 877 209 A	X	
						-		fluorescent strip see illustration:	947-00		


Model	Year	MG	SG	Illustration	Restrictions	UPD	22:02	11.12.2006		ETKA
PA	2005	8	33	833-10		597	USA			

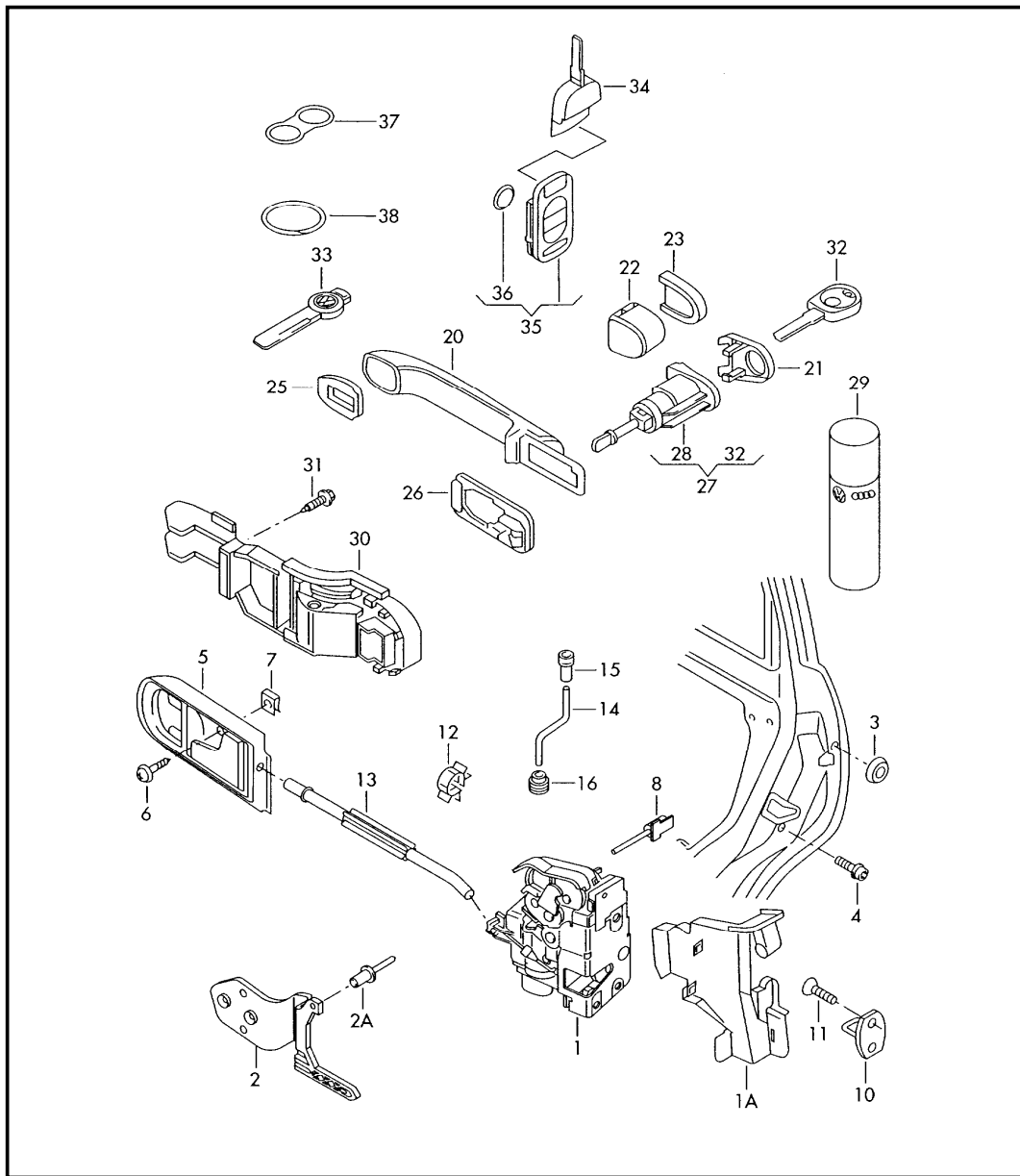


Pos	Part Number	Name	Remarks	Qty	Model
		doors door hinge door seal	rear		
(1)	3B5 833 051 AB	door	left rear also use: *>>3B-4-120000 3B4 971 341 N 903 565 02	1	sedan
(1)	3B9 833 051 AC	door	left also use: *>>3B-4-120000 3B4 971 341 N 903 565 01	1	WAGON
1	3B5 833 052 AB	door	right rear also use: *>>3B-4-120000 3B4 971 342 N 903 565 02	1	sedan
(1)	3B9 833 052 AC	door	right also use: *>>3B-4-120000 3B4 971 342 N 903 565 02	1	WAGON
-	3B4 971 341	wiring conduit	rear door	1	
-	3B4 971 342	wiring conduit	rear door	1	
-	N 903 565 02	tapping screw	E4,2X9,5	2	
(2)	3B4 833 401 E	door hinge	left rear upper	1	
2	3B4 833 402 E	door hinge	right rear upper	1	
(3)	3B4 833 411 D	door hinge	left lower	1	
3	3B4 833 412 D	door hinge	right lower	1	
4	N 908 234 03	bolt, with polygon socket hd.	M8X24-H-TM	6	
		door	upper/lower		
(4)	N 908 233 01	bolt, with polygon socket hd. (combi.)	M8X22	2	
		pillar b inner	upper		
(4)	N 908 232 01	bolt, with polygon socket hd.	M8X28-H-TM	6	
		pillar b outer	lower		
(5)	WHT 000 328	tapered nut	M8X1	2	
		pin - hinge	for:		
(5)	N 904 030 03	cap	13X14	2	


Model	Year	MG	SG	Illustration	Restrictions	UPD	22:02	11.12.2006		ETKA
PA	2005	8	33	833-10		597	USA			

Pos	Part Number	Name	Remarks	Qty	Model	Pos	Part Number	Name	Remarks	Qty	Model
(6)	3B5 867 367 K	door seal, inner	left rear	1	sedan						
	11/03-06/05SCJ	satin black/beige	-BL, GV, JG, LT, MZ, NN, QY, VU, XE								
(6)	3B5 867 367 P	door seal, inner for vehicles with side and head airbag	left rear	1	sedan						
	05/02-06/05MGT	satin black/pearl grey	-GA, GB, VA, VB								
	05/02-06/05MGU	satin black/sunshine beige	-GC, VD								
6	3B5 867 368 K	door seal, inner	right rear	1	sedan						
	11/03-06/05SCJ	satin black/beige	-BL, GV, JG, LT, MZ, NN, QY, VU, XE								
6	3B5 867 368 P	door seal, inner for vehicles with side and head airbag	right rear	1	sedan						
	05/02-06/05MGT	satin black/pearl grey	-GA, GB, VA, VB								
	05/02-06/05MGU	satin black/sunshine beige	-GC, VD								
(6)	3B9 867 367 P	door seal, inner for vehicles with side and head airbag	left rear	1	WAGON						
	05/02-06/05MGT	satin black/pearl grey	-GA, GB, VA, VB								
	05/02-06/05MGU	satin black/sunshine beige	-GC, VD								
(6)	3B9 867 368 P	door seal, inner for vehicles with side and head airbag	right rear	1	WAGON						
	05/02-06/05MGT	satin black/pearl grey	-GA, GB, VA, VB								
	05/02-06/05MGU	satin black/sunshine beige	-GC, VD								
7		boot see illustration:	959-00								
8	3B0 839 733 A	gasket	rear	2							
	05/02-08/03B41	satin black									
-	AKL 448 300 04	protective foil to fit use workshop material	290X210MM	1							
9	323 863 950	sound absorber (adhesive) 'order qty. 6' to fit use workshop material	550X250X2	X							


Model	Year	MG	SG	Illustration	Restrictions	UPD	22:02	11.12.2006		ETKA
PA	2005	8	37	837-00		597	USA			




Pos	Part Number	Name	Remarks	Qty	Model
		door lock	front		
(1)	3B1 837 015 AK	door lock	left	1	
1	3B1 837 016 BH	door lock	right	1	
(1A)	3B0 837 349 A	cap	left	1	
1A	3B0 837 350 A	cap	right	1	
(2)	1J0 837 867	retaining bracket door lock	left	1	
2	1J0 837 868	retaining bracket door lock	right	1	
2A	+ N 906 349 01	pop-rivet	A4X14	2	
3	3B0 837 111	plug	16	2	
	05/02-06/05B41	satin black			
4	+ N 908 005 01	innensechsrund-linsenschraube (kombi), selbstsichernd	M8X14-S13	4	
		interior operation	front		
(5)	3B1 837 113 L	interior operation	left lhd	1	
	05/02-06/052AQ	black	-BJ, FP, GA, JJ, JL, NG, RW, TW, VA, XR, XT, YU, YY, ZA, ZR, ZT		
	05/02-06/054ET	platinum	-FQ, GB, GC, JC, JD, NH, NJ, RN, TX, TY, VB, VD, XS, YT, ZH, ZJ, ZS		
	04/03-06/056BK	walnut	-BL, GV, JG, LT, MZ, NN, QY, VU, XE		
	04/03-06/0575R	anthracite	-BH, BK, BM, FA, FH, GT, GU, JF, JH, LM, LP, MX, MY, NC, ND, NM, NQ, QW, QZ, RU, RV, VN, VP, VT, XA, XB, XF		
(5)	3B1 837 114 AA	interior operation	right lhd	1	

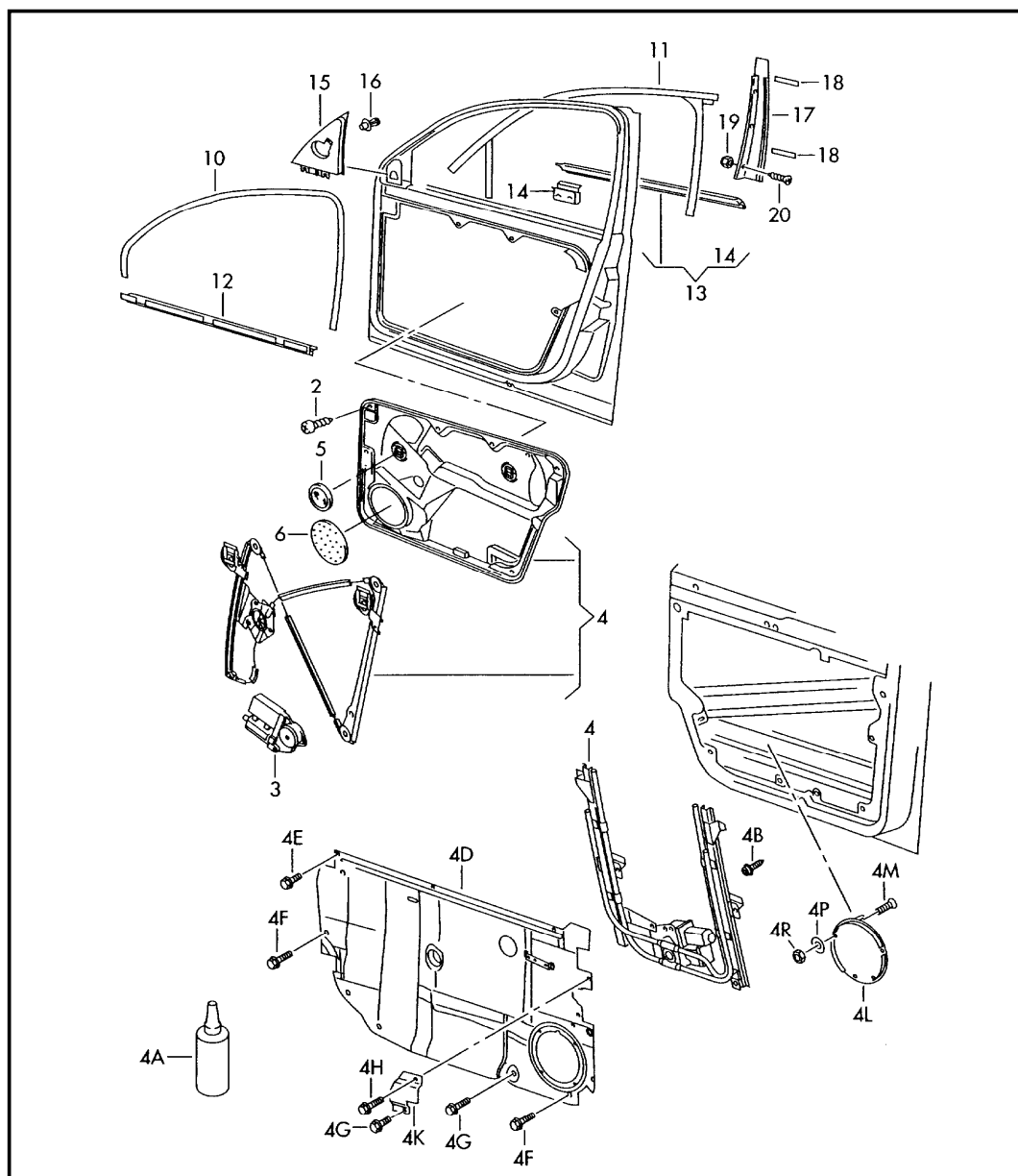
Model	Year	MG	SG	Illustration	Restrictions	UPD	22:02	11.12.2006		ETKA
PA	2005	8	37	837-00		597	USA			

Pos	Part Number	Name	Remarks	Qty	Model	Pos	Part Number	Name	Remarks	Qty	Model
	05/02-06/052AQ	black	-BJ, FP, GA, JJ, JL, NG, RW, TW, VA, XR, XT, YU, YY, ZA, ZR, ZT			-	3B9 800 375 DF	1 lock cylinder set for door handle, rear flap, ignition starter switch, glove box lid and backrest		1	WAGON
	05/02-06/054ET	platinum	-FQ, GB, GC, JC, JD, NH, NJ, RN, TX, TY, VB, VD, XS, YT, ZH, ZJ, ZS			f	05/02-06/0501C	satin black			
	04/03-06/056BK	walnut	-BL, GV, JG, LT, MZ, NN, QY, VU, XE			(20)	3B0 837 207 G	door handle, outer		2	
	04/03-06/0575R	anthracite	-BH, BK, BM, FA, FH, GT, GU, JF, JH, LM, LP, MX, MY, NC, ND, NM, NQ, QW, QZ, RU, RV, VN, VP, VT, XA, XB, XF			(21)	05/02-06/05GRU	primed		2	
							3B0 837 879	cap		2	
							05/02-06/053FZ	satin black			
						21	3B0 837 879 A	cap		2	
							05/02-06/05GRU	primed			
						22	1K4 839 167	housing		2	
						23	3B4 839 879	cap		2	
6	+ N 013 966 26	tapping screw, fill. hd.	4, 2X13STC	2			05/02-06/053FZ	satin black			
7	N 015 448 7	speed nut	ST4, 2X16, 3X11	2		(23)	3B4 839 879 A	cap		2	
(8)	3B0 837 069 B	bowden cable with clip	left	1			05/02-06/05GRU	primed			
8	3B0 837 070 B	bowden cable with clip	right	1		25	3B0 837 209 A	packing	front	2	
10	3B0 837 033 T	striker		2			05/02-06/0501C	satin black			
11	N 907 985 02	screw, csk. hd. with polygon socket hd.	M8X16, 5-SP	4		26	3B0 837 211	packing	rear	2	
13	3B0 837 085 E	bowden cable		2			05/02-06/0501C	satin black			
(14)	3B0 837 183 B	locking rod	left	1		(27)	3B0 837 167 G	lock cylinder with keys and housing * cannot be used to restore * the one key locking * system !!	left	1	
14	3B0 837 184 B	locking rod	right	1							
15	3B0 837 187 B	knob for locking rod		2		(27)	3B0 837 168 E	lock cylinder with keys and housing * cannot be used to restore * the one key locking * system !!	right	1	
	05/02-06/0501C	satin black									
		door handle, outer	front								
-	3B5 800 375 DM	1 lock cylinder set for door handle, rear flap, ignition starter switch, glove box lid and backrest		1	sedan	(28) f	107 837 167 JG	lock cylinder with housing * to retain the one key * system the key code * number and/or vehicle * ident.number (vin) must * be quoted when ordering	left	1	
	f 05/02-06/0501C	satin black									


Model	Year	MG	SG	Illustration	Restrictions	UPD	22:02	11.12.2006		ETKA
PA	2005	8	37	837-00		597	USA			

Pos	Part Number	Name	Remarks	Qty	Model	Pos	Part Number	Name	Remarks	Qty	Model
(28)	f 107 837 168 JE	lock cylinder with housing * to retain the one key * system the key code * number and/or vehicle * ident.number (vin) must * be quoted when ordering	right	1							
29	G 052 778 A2	lock cylinder lubricant spray	50ML	1							
(30)	3B0 837 885 F	bow	left	lhd	1						
(30)	3B0 837 886 E	bow	right	lhd	1						
31	N 908 976 01	innensechsrund-linsenschraube	M5X9,7	2							
32	3B0 837 219 AK	secondary key with change code transponder *indicate vin number when *ordering		1							
	f 05/02-06/05INB	inner profile									
34	1J0 837 246 F	main key with change code transponder for radio control central locking system (folding key shaft, for rectangular key pad) *indicate vin number when *ordering		1							
	f 05/02-06/05INB	inner profile									
35	1J0 959 753 AM	remote control transmitter for led-radio control central locking system (square key pad)	3 buttons 315MHZ	2	PR-5D2						
36	+ N 105 283 01	micro-cell battery	3,0V	1							
37	4D0 905 835	key ring		1							
38	181 837 220	key ring		X							


Model	Year	MG	SG	Illustration	Restrictions	UPD	22:02	11.12.2006		ETKA
PA	2005	8	37	837-60		597	USA			

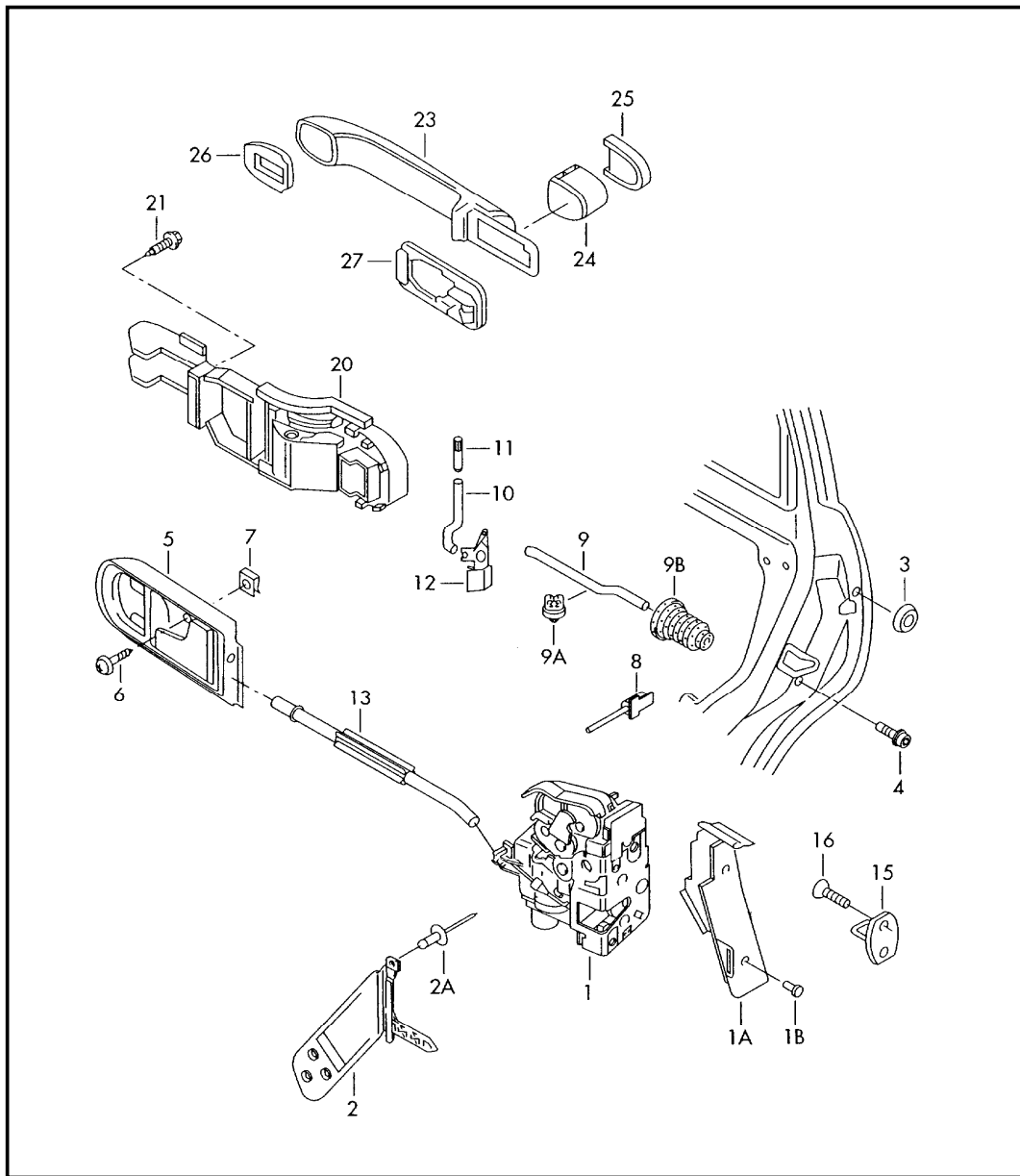


Pos	Part Number	Name	Remarks	Qty	Model
		window lifter	front		
(2) +	N 100 091 04	bolt, hex. hd. (combi.)	M6X12	X	
3		see illustration:	959-10		
(4)	3B1 837 461	window lifter without motor	left lhd	1	
4	3B1 837 462	window lifter without motor	right lhd	1	
4A	D 185 400 A2	liquid sealant	10ML	10	
4E	N 103 389 01	bolt, hex. hd. with shoulder	M6X16	X	
4G	N 102 856 01	bolt, hex. hd. (combi.)	M6X25	X	
4H	N 909 673 01	bolt, hex. hd. with shoulder	M6X38-W	X	
4P +	N 011 523 18	washer	A5,3X10X1	8	
4R	N 100 173 03	shouldered hex. nut	M5	8	
5	357 971 908	plug	60	4	
6	3B0 837 903	cover	173MM	2	
		window guide	front		
10	3B0 837 439 G	window guide	left inner	1	
	05/02-06/05B41	satin black			
(10)	3B0 837 440 G	window guide	right inner	1	
	05/02-06/05B41	satin black			
(11)	3B0 837 431 C	window guide	left outer	1	
	05/02-06/05B41	satin black			
11	3B0 837 432 C	window guide	right outer	1	
	05/02-06/05B41	satin black			
		window slot seal	front		
(12)	3B0 837 471 C	window slot seal	left inner	1	
	05/02-06/05B41	satin black			
(12)	3B0 837 472 C	window slot seal	right inner	1	
	05/02-06/05B41	satin black			


Model	Year	MG	SG	Illustration	Restrictions	UPD	22:02	11.12.2006		ETKA
PA	2005	8	37	837-60		597	USA			

Pos	Part Number	Name	Remarks	Qty	Model	Pos	Part Number	Name	Remarks	Qty	Model
(13)	3B0 837 477 C	window slot seal	left outer	1							
	05/02-06/05B41	satin black									
(13)	3B0 837 475	window slot seal	left outer	1							
	05/02-06/057Z7	aluminium-glossy									
13	3B0 837 478 C	window slot seal	right outer	1							
	05/02-06/05B41	satin black									
(13)	3B0 837 476	window slot seal	right outer	1							
	05/02-06/057Z7	aluminium-glossy									
14	3B0 837 073	spring clip		X							
		trim for door	front								
(15)	3B0 837 993 A	cover	left inner	1							
	05/02-06/05B41	satin black									
(15)	3B0 837 994 A	cover	right inner	1							
	05/02-06/05B41	satin black									
16 +	3B0 837 732	clip		6							
(17)	3B0 837 901 F	trim for door window frame	left	1							
	05/02-06/05041	black									
17	3B0 837 902 F	trim for door window frame	right	1							
	05/02-06/05041	black									
18	3B0 837 735	cover strip	10X70X2MM	X							
19 +	N 902 577 03	speed nut	ST4,2	6							
20	N 909 884 01	tapp. screw, csk.hd.	ST4,2X16-C	6							


Model	Year	MG	SG	Illustration	Restrictions	UPD	22:03	11.12.2006		ETKA
PA	2005	8	39	839-00		597	USA			




Pos	Part Number	Name	Remarks	Qty	Model
		door lock	rear		
(1)	3B4 839 015 AE	door lock	left	1	
1	3B4 839 016 AE	door lock	right	1	
1A	3B4 839 349	door lock cover	left rear	1	
(1A)	3B4 839 350	door lock cover	right rear	1	
1B	+ N 908 005 01	innensechsrund-linsenschraube (kombi), selbstsichernd	M8X14-S13	4	
(2)	1J0 837 867	retaining bracket door lock	left	1	
2	1J0 837 868	retaining bracket door lock	right	1	
2A	+ N 906 349 01	pop-rivet	A4X14	2	
4	+ N 908 005 01	innensechsrund-linsenschraube (kombi), selbstsichernd	M8X14-S13	4	
		interior operation	rear		
(5)	3B0 839 113 BC	interior operation	left	1	
	05/02-06/052AQ	black	-BJ, FP, GA, JJ, JL, NG, RW, TW, VA, XR, XT, YU, YY, ZA, ZR, ZT		
	05/02-06/054ET	platinum	WFQ, GB, GC, JC, JD, NH, NJ, RN, TX, TY, VB, VD, XS, YT, ZH, ZJ, ZS		
	04/03-06/0575R	anthracite	-BH, BK, BM, FA, FH, GT, GU, JF, JH, LM, LP, MX, MY, NC, ND, NM, NO, QW, QZ, RU, RV, VN, VP, VT, XA, XB, XF		
(5)	3B0 839 113 BD	door inner release lever with loudspeaker	left	1	
	05/02-06/052AQ	black	-BJ, FP, GA, JJ, JL, NG, RW, TW, VA, XR, XT, YU, YY, ZA, ZR, ZT		

Model	Year	MG	SG	Illustration	Restrictions	UPD	22:03	11.12.2006		ETKA
PA	2005	8	39	839-00		597	USA			


Pos	Part Number	Name	Remarks	Qty	Model	Pos	Part Number	Name	Remarks	Qty	Model
	05/02-06/054ET	platinum	-FQ, GB, GC, JC, JD, NH, NJ, RN, TX, TY, VB, VD, XS, YT, ZH, ZJ, ZS				04/03-06/0575R	anthracite	-BH, BK, BM, FA, FH, GT, GU, JF, JH, LM, LP, MX, MY, NC, ND, NM, NO, QW, QZ, RU, RV, VN, VP, VT, XA, XB, XF		
	04/03-06/0575R	anthracite	-BH, BK, BM, FA, FH, GT, GU, JF, JH, LM, LP, MX, MY, NC, ND, NM, NO, QW, QZ, RU, RV, VN, VP, VT, XA, XB, XF			(5)	3B0 839 113 BF	door inner release lever with loudspeaker for vehicles with electrically operated windows	left	1	PR-8RM
(5)	3B0 839 113 BK	door inner release lever with loudspeaker for vehicles with sound system	left	1	PR-9VG		05/02-06/052AQ	black	-BJ, FP, GA, JJ, JL, NG, RW, TW, VA, XR, XT, YU, YY, ZA, ZR, ZT		
	05/02-06/052AQ	black	-BJ, FP, GA, JJ, JL, NG, RW, TW, VA, XR, XT, YU, YY, ZA, ZR, ZT				05/02-06/054ET	platinum	-FQ, GB, GC, JC, JD, NH, NJ, RN, TX, TY, VB, VD, XS, YT, ZH, ZJ, ZS		
	05/02-06/054ET	platinum	-FQ, GB, GC, JC, JD, NH, NJ, RN, TX, TY, VB, VD, XS, YT, ZH, ZJ, ZS				04/03-06/056BK	walnut	-BL, GV, JG, LT, MZ, NN, QY, VU, XE		
	04/03-06/0575R	anthracite	-BH, BK, BM, FA, FH, GT, GU, JF, JH, LM, LP, MX, MY, NC, ND, NM, NO, QW, QZ, RU, RV, VN, VP, VT, XA, XB, XF				04/03-06/0575R	anthracite	-BH, BK, BM, FA, FH, GT, GU, JF, JH, LM, LP, MX, MY, NC, ND, NM, NO, QW, QZ, RU, RV, VN, VP, VT, XA, XB, XF		
(5)	3B0 839 113 BE	interior operation for vehicles with electrically operated windows	left	1	PR-8RA, 8RE	(5)	3B0 839 113 BJ	door inner release lever with loudspeaker for vehicles with electrically operated windows for vehicles with sound system	left	1	PR-9VG
	05/02-06/052AQ	black	-BJ, FP, GA, JJ, JL, NG, RW, TW, VA, XR, XT, YU, YY, ZA, ZR, ZT				05/02-06/052AQ	black	-BJ, FP, GA, JJ, JL, NG, RW, TW, VA, XR, XT, YU, YY, ZA, ZR, ZT		
	05/02-06/054ET	platinum	-FQ, GB, GC, JC, JD, NH, NJ, RN, TX, TY, VB, VD, XS, YT, ZH, ZJ, ZS				05/02-06/054ET	platinum	-FQ, GB, GC, JC, JD, NH, NJ, RN, TX, TY, VB, VD, XS, YT, ZH, ZJ, ZS		
	04/03-06/056BK	walnut	-BL, GV, JG, LT, MZ, NN, QY, VU, XE				04/03-06/056BK	walnut	-BL, GV, JG, LT, MZ, NN, QY, VU, XE		

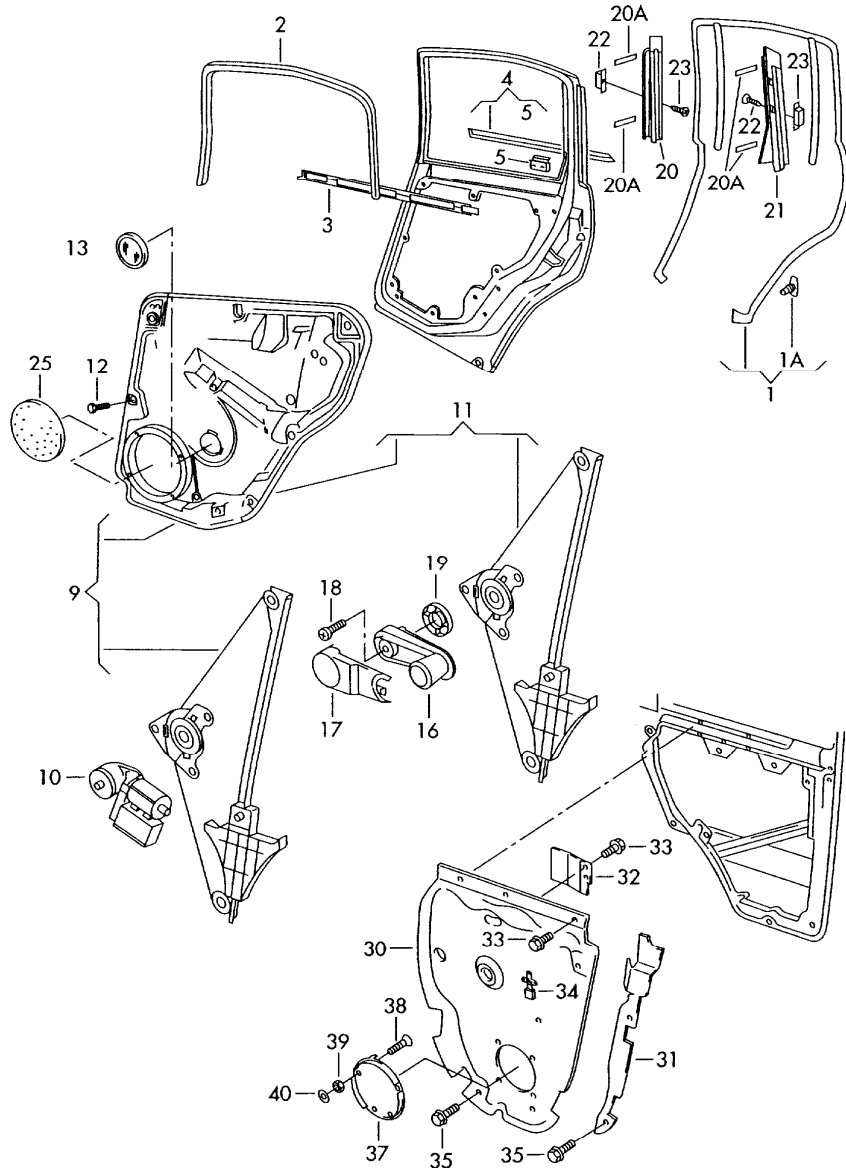
Model	Year	MG	SG	Illustration	Restrictions	UPD	22:03	11.12.2006		ETKA
PA	2005	8	39	839-00		597	USA			

Pos	Part Number	Name	Remarks	Qty	Model	Pos	Part Number	Name	Remarks	Qty	Model
	04/03-06/0575R	anthracite	-BH, BK, BM, FA, FH, GT, GU, JF, JH, LM, LP, MX, MY, NC, ND, NM, NQ, QW, QZ, RU, RV, VN, VP, VT, XA, XB, XF				05/02-06/052AQ	black	-BJ, FP, GA, JJ, JL, NG, RW, TW, VA, XR, XT, YU, YY, ZA, ZR, ZT		
(5)	3B0 839 114 BC	interior operation	right	1			05/02-06/054ET	platinum	-FQ, GB, GC, JC, JD, NH, NJ, RN, TX, TY, VB, VD, XS, YT, ZH, ZJ, ZS		
	05/02-06/052AQ	black	-BJ, FP, GA, JJ, JL, NG, RW, TW, VA, XR, XT, YU, YY, ZA, ZR, ZT				04/03-06/0575R	anthracite	-BH, BK, BM, FA, FH, GT, GU, JF, JH, LM, LP, MX, MY, NC, ND, NM, NQ, QW, QZ, RU, RV, VN, VP, VT, XA, XB, XF		
	05/02-06/054ET	platinum	-FQ, GB, GC, JC, JD, NH, NJ, RN, TX, TY, VB, VD, XS, YT, ZH, ZJ, ZS			(5)	3B0 839 114 BE	interior operation for vehicles with electrically operated windows	right	1	
	04/03-06/0575R	anthracite	-BH, BK, BM, FA, FH, GT, GU, JF, JH, LM, LP, MX, MY, NC, ND, NM, NQ, QW, QZ, RU, RV, VN, VP, VT, XA, XB, XF				05/02-06/052AQ	black	-BJ, FP, GA, JJ, JL, NG, RW, TW, VA, XR, XT, YU, YY, ZA, ZR, ZT		
(5)	3B0 839 114 BD	door inner release lever with loudspeaker	right	1			05/02-06/054ET	platinum	-FQ, GB, GC, JC, JD, NH, NJ, RN, TX, TY, VB, VD, XS, YT, ZH, ZJ, ZS		
	05/02-06/052AQ	black	-BJ, FP, GA, JJ, JL, NG, RW, TW, VA, XR, XT, YU, YY, ZA, ZR, ZT				04/03-06/056BK	walnut	-BL, GV, JG, LT, MZ, NN, QY, VU, XE		
	05/02-06/054ET	platinum	-FQ, GB, GC, JC, JD, NH, NJ, RN, TX, TY, VB, VD, XS, YT, ZH, ZJ, ZS				04/03-06/0575R	anthracite	-BH, BK, BM, FA, FH, GT, GU, JF, JH, LM, LP, MX, MY, NC, ND, NM, NQ, QW, QZ, RU, RV, VN, VP, VT, XA, XB, XF		
	04/03-06/0575R	anthracite	-BH, BK, BM, FA, FH, GT, GU, JF, JH, LM, LP, MX, MY, NC, ND, NM, NQ, QW, QZ, RU, RV, VN, VP, VT, XA, XB, XF			(5)	3B0 839 114 BF	door inner release lever with loudspeaker for vehicles with electrically operated windows	right	1	
(5)	3B0 839 114 BK	door inner release lever with loudspeaker for vehicles with sound system	right	1	PR-9VG		05/02-06/052AQ	black	-BJ, FP, GA, JJ, JL, NG, RW, TW, VA, XR, XT, YU, YY, ZA, ZR, ZT		


Model	Year	MG	SG	Illustration	Restrictions	UPD	22:03	11.12.2006		ETKA
PA	2005	8	39	839-00		597	USA			

Pos	Part Number	Name	Remarks	Qty	Model	Pos	Part Number	Name	Remarks	Qty	Model
(5)	05/02-06/054ET	platinum	-FQ, GB, GC, JC, JD, NH, NJ, RN, TX, TY, VB, VD, XS, YT, ZH, ZJ, ZS	1	PR-9VG	(8)	3B9 839 060 A	bowden cable with clip	right	1	WAGON
	04/03-06/056BK	walnut	-BL, GV, JG, LT, MZ, NN, QY, VU, XE			(9)	3B0 839 811 A	locking rod	left	1	
						9	3B0 839 812 A	locking rod	right	1	
						9A	3B0 837 199 A	clip	2		
	04/03-06/0575R	anthracite	-BH, BK, BM, FA, FH, GT, GU, JF, JH, LM, LP, MX, MY, NC, ND, NM, NQ, QW, QZ, RU, RV, VN. VP, VT, XA, XB, XF			9B	3B0 837 861 A	boot	1		
						(10)	3B0 839 183 A	locking rod	left	1	
	3B0 839 114 BJ	door inner release lever with loudspeaker for vehicles with electrically operated windows for vehicles with sound system	right			10	3B0 839 184 A	locking rod	right	1	
						11	3B0 837 187 B	knob for locking rod	2		
	05/02-06/052AQ	black	-BJ, FP, GA, JJ, JL, NG, RW, TW, VA, XR, XT, YU, YY, ZA, ZR, ZT			05/02-06/0501C		satin black			
	05/02-06/054ET	platinum	-FQ, GB, GC, JC, JD, NH, NJ, RN, TX, TY, VB, VD, XS, YT, ZH, ZJ, ZS			12	3B0 839 833 D	relay lever	2		
						13	3B0 839 085 F	bowden cable	2		
	04/03-06/056BK	walnut	-BL, GV, JG, LT, MZ, NN, QY, VU, XE			15	3B0 837 033 T	striker	2		
						16	N 907 985 02	screw, csk. hd. with polygon socket hd.	M8X16,5-SP	4	
	04/03-06/0575R	anthracite	-BH, BK, BM, FA, FH, GT, GU, JF, JH, LM, LP, MX, MY, NC, ND, NM, NQ, QW, QZ, RU, RV, VN. VP, VT, XA, XB, XF			(20)	3B0 837 885 D	door handle, outer	rear		
						20	3B0 837 886 D	bow	left	1	
04/03-06/056BK	walnut	-BL, GV, JG, LT, MZ, NN, QY, VU, XE	21	N 908 976 01	innensechsrund-linsenschraube	M5X9,7	2				
			(23)	3B0 837 207 G	door handle, outer	2					
04/03-06/0575R	anthracite	-BH, BK, BM, FA, FH, GT, GU, JF, JH, LM, LP, MX, MY, NC, ND, NM, NQ, QW, QZ, RU, RV, VN. VP, VT, XA, XB, XF		05/02-06/05GRU	primed						
			24	1K4 839 167	housing	2					
6 + N	013 966 26	tapping screw, fill. hd.	4,2X13STC	2		25	3B4 839 879 A	cap	2		
						26	3B0 837 209 A	packing	front	1	
7	N 015 448 7	speed nut	ST4,2X16,3X11	2		05/02-06/0501C	satin black				
(8)	3B5 839 059 A	bowden cable with clip	left	1	sedan	27	3B0 837 211	packing	rear	1	
(8)	3B9 839 059 A	bowden cable with clip	left	1	WAGON		05/02-06/0501C	satin black			
8	3B5 839 060 A	bowden cable with clip	right	1	sedan						


Model	Year	MG	SG	Illustration	Restrictions	UPD	22:03	11.12.2006		ETKA
PA	2005	8	39	839-60		597	USA			

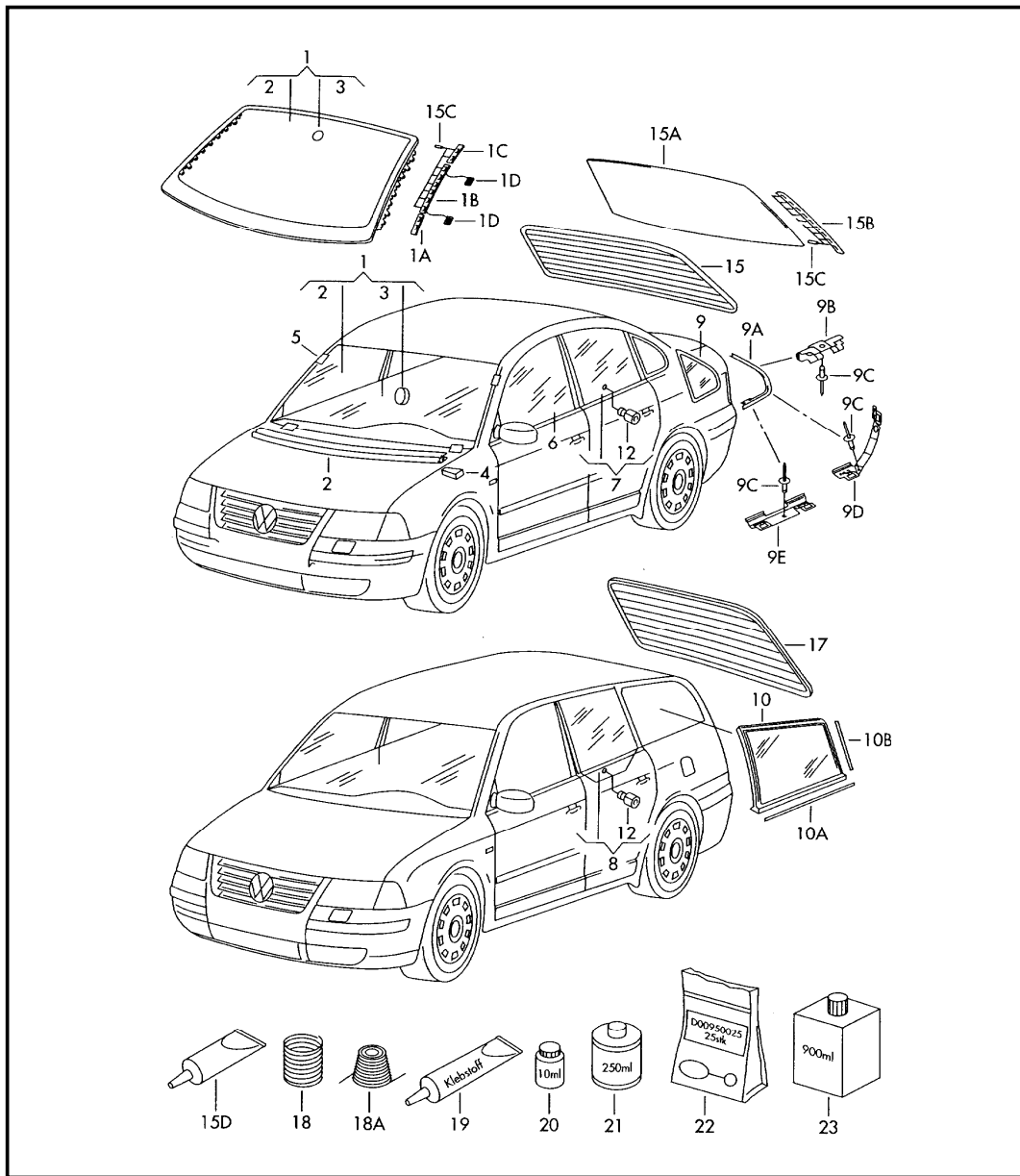


Pos	Part Number	Name	Remarks	Qty	Model
(1)	3B5 839 431 AB	window guide	rear		
		05/02-06/05B41	left outer	1	sedan: PR-6U0,6U1
(1)	3B9 839 431 T	window guide	left outer	1	wagon: PR-6U0,6U1
		05/02-06/05B41	left outer		
(1)	3B5 839 432 AB	window guide	right outer	1	sedan: PR-6U0,6U1
		05/02-06/05B41	right outer		
(1)	3B9 839 432 T	window guide	right outer	1	WAGON: PR-6U0,6U1
		05/02-06/05B41	right outer		
1A +	3B0 839 723	clip		30	sedan
(1A) +	3B0 839 723	clip		32	WAGON
(2)	3B5 839 439 J	window guide	left inner	1	sedan
		05/02-06/05B41	left inner		
(2)	3B9 839 439 G	window guide	left inner	1	wagon
		05/02-06/05B41	left inner		
2	3B5 839 440 J	window guide	right inner	1	sedan
		05/02-06/05B41	right inner		
(2)	3B9 839 440 G	window guide	right inner	1	wagon
		05/02-06/05B41	right inner		
(3)	3B0 839 471 C	window slot seal	rear		
		05/02-06/05B41	left inner	1	
3	3B0 839 472 C	window slot seal	right inner	1	
		05/02-06/05B41	right inner		
(4)	3B4 839 477	window slot seal	left outer	1	
		05/02-06/05B41	left outer		


Model	Year	MG	SG	Illustration	Restrictions	UPD	22:03	11.12.2006		ETKA
PA	2005	8	39	839-60		597	USA			

Pos	Part Number	Name	Remarks	Qty	Model	Pos	Part Number	Name	Remarks	Qty	Model
(4)	3B4 839 475	window slot seal	left outer	1		22	+ N 902 577 03	speed nut	ST4,2	X	
	05/02-06/057Z7	aluminium-glossy				23	N 013 997 2	tapp. screw, csk.hd.	ST4,2X13-C	X	
4	3B4 839 478	window slot seal	right outer	1		25	3B0 837 903	cover	173MM	2	
	05/02-06/05B41	satin black				33	N 103 389 01	bolt, hex. hd. with shoulder	M6X16	10	
(4)	3B4 839 476	window slot seal	right outer	1		34	+ N 011 183 12	hex. nut, self-locking	M6	4	
	05/02-06/057Z7	aluminium-glossy				39	+ N 011 523 18	washer	A5,3X10X1	8	
5	3B0 837 073	spring clip		X		40	N 100 173 03	shouldered hex. nut	M5	8	
		window lifter	rear electric								
(9)	3B5 839 461 A	window lifter without motor	left	1	sedan						
9	3B5 839 462 A	window lifter without motor	right	1	sedan						
(9)	3B9 839 461 A	window lifter without motor	left	1	WAGON						
(9)	3B9 839 462 A	window lifter without motor	right	1	WAGON						
10		see illustration:	959-10								
		trim for door	rear								
(20)	3B0 839 901 H	trim for door window frame	left front	1							
	05/02-06/05041	black									
(20)	3B0 839 902 H	trim for door window frame	right front	1							
	05/02-06/05041	black									
20A	3B0 837 735	cover strip	10X70X2MM	X							
(21)	3B5 839 901	trim for door window frame	left rear	1	sedan						
	05/02-06/05041	black									
(21)	3B9 839 901	trim for door window frame	left rear	1	WAGON						
	05/02-06/05041	black									
21	3B5 839 902	trim for door window frame	right rear	1	sedan						
	05/02-06/05041	black									
(21)	3B9 839 902	trim for door window frame	right rear	1	WAGON						
	05/02-06/05041	black									


Model	Year	MG	SG	Illustration	Restrictions	UPD	22:03	11.12.2006		ETKA
PA	2005	8	45	845-00		597	USA			




Pos	Part Number	Name	Remarks	Qty	Model
		window glasses			
(1)	3B0 845 011 S	windshield glass (laminated) with tinted zone and view window for chassis number (with molding)	green	1	
(1)	3B0 845 011 BH	windshield glass (laminated) with view window for vin number (with molding)	green	1	
(1)	3B0 845 011 T	windshield glass (laminated) with tinted zone and view window for chassis number (with molding) for vehicles with rain sensor as required use:	green	1	
		rain sensor	see illustration: 955-00		
(1)	3B0 845 011 BJ	windshield glass (laminated) with view window for vin number (with molding) for vehicles with rain sensor as required use:	green	1	
		rain sensor	see illustration: 955-00		
2	3B0 853 306	moulding frame	lower	1	
3	6N0 845 543	retaining plate for rear view mirror, inner		1	
		also use:	D 000 703 A1	1	
(3)	3B0 845 543 A	retaining plate for rear view mirror, inner for vehicles with rain sensor		1	
4	443 845 631 A	spacer	19X12X55	2	
6	3B4 845 201	door window	left front green	1	
(6)	3B4 845 202	door window	right front green	1	
7	3B5 845 025	door window	left rear green	1	sedan
(7)	3B5 845 026	door window	right rear green	1	sedan
8	3B9 845 025	door window	left rear green	1	WAGON

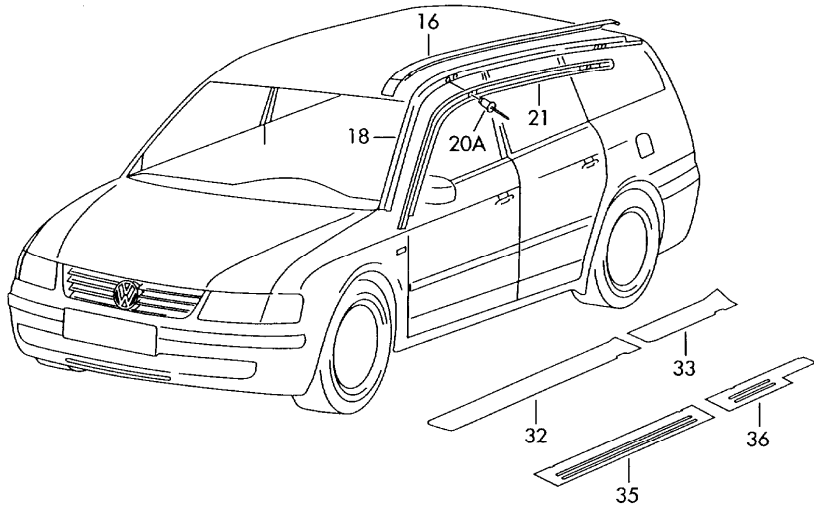
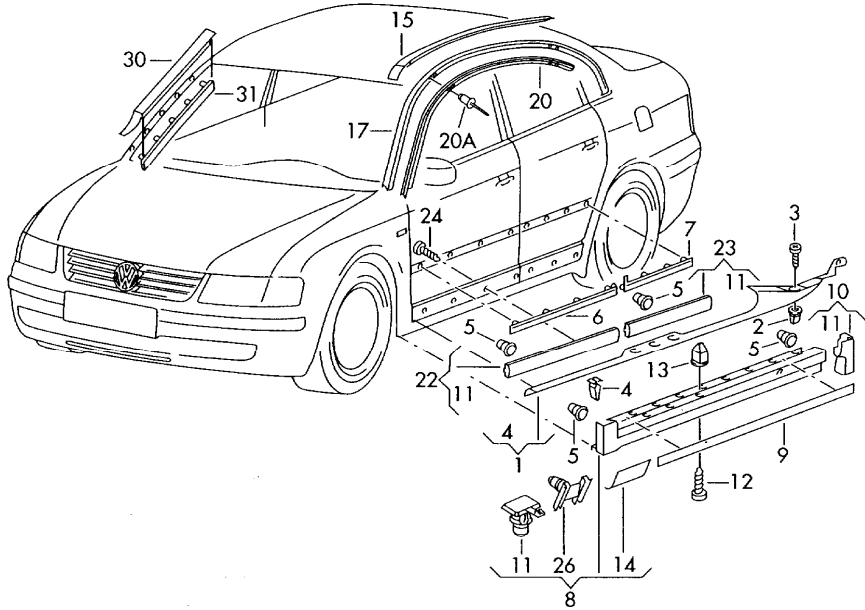
Model	Year	MG	SG	Illustration	Restrictions	UPD	22:03	11.12.2006		ETKA
PA	2005	8	45	845-00		597	USA			

Pos	Part Number	Name	Remarks	Qty	Model	Pos	Part Number	Name	Remarks	Qty	Model
(8)	3B9 845 026	door window	right rear green	1	WAGON		05/02-06/05B41	satin black			
9	3B5 845 297 J	side window	left green	1	limousine+ PR-4ZE	(10)	3B9 845 298 AE	side window	right green	1	variant+ PR-4TB
	05/02-06/05B41	satin black				(10)	3B9 845 298 AG	side window for vehicles with tv-reception	right green	1	variant+ PR-4KC, 4ZB, 8L5
(9)	3B5 845 297 Q	side window	left green	1	limousine+ PR-4ZB	10A	3B9 853 345	decorative molding	left lower	1	variant+ PR-4ZB
(9)	3B5 845 298 J	side window	right green	1	limousine+ PR-4ZE		05/02-06/057Z7	aluminium-glossy			
	05/02-06/05B41	satin black				(10A)	3B9 853 346	decorative molding	right lower	1	variant+ PR-4ZB
(9)	3B5 845 298 Q	side window	right green	1	limousine+ PR-4ZB		05/02-06/057Z7	aluminium-glossy			
9A	3B5 853 345 A	decorative molding	left	1	limousine+ PR-4ZB	10B	3B9 853 347 A	decorative molding	left rear	1	variant+ PR-4ZB
	05/02-06/057Z7	aluminium-glossy					05/02-06/057Z7	aluminium-glossy			
(9A)	3B5 853 346 A	decorative molding	right	1	limousine+ PR-4ZB	(10B)	3B9 853 348 A	decorative molding	right rear	1	variant+ PR-4ZB
	05/02-06/057Z7	aluminium-glossy					05/02-06/057Z7	aluminium-glossy			
9B	3B5 853 910 A	clamp	upper	6	limousine+ PR-4ZB	12	6N0 839 511	pin		2	
9C + N	907 878 02	rivet	AK3, 2X6, 5	X	limousine+ PR-4ZB	(15)	3B5 845 051 P	rear window glass heated	green	1	limousine+
9D	3B5 853 929 H	clamp	left rear	2	limousine+ PR-4ZB	(15)	3B5 845 051 M	rear window glass heated for vehicles with navigation system for vehicles with diversity window aerial	green	1	limousine+ PR-4KC
9D	3B5 853 929 J	clamp	right rear	2	limousine+ PR-4ZB	(15)	3B5 845 051 N	rear window glass heated for vehicles with navigation system for vehicles with diversity window aerial	green/black	1	limousine+ PR-4KF
9E	3B5 853 929 E	clamp	front, lower	2							
(10)	3B9 845 297 AG	side window	left green	1	variant+ PR-4ZE	15D	DH 009 100 03	1k window adhesive	110ML	1	
	05/02-06/05B41	satin black				17	3B9 845 051 E	rear window glass heated	green	1	wagon
(10)	3B9 845 297 AK	side window	left green	1	variant+ PR-4ZB	18	357 845 955	cutting wire for removing windows	0,6X0,6X50000	X	
(10)	3B9 845 297 AM	side window for vehicles with tv-reception	left green	1	variant+ PR-4ZB, QV1, QV2	18A	357 853 999 A	cutting cord for removing windows	1,25X6000	X	
(10)	3B9 845 298 AB	side window	right green	1	variant+ PR-4ZE	(19)	DH 009 100 03	1k window adhesive	110ML	X	


Model	Year	MG	SG	Illustration	Restrictions	UPD	22:03	11.12.2006		ETKA
PA	2005	8	45	845-00		597	USA			

Pos	Part Number	Name	Remarks	Qty	Model	Pos	Part Number	Name	Remarks	Qty	Model
(19)	DA 004 600 A2	2k-glass glue application set	400ML	X							
20	D 181 801 A1	activator for precoated windows	10ML	X							
(20)	D 009 200 02	primer for glass and paint	10ML	X							
21	D 009 401 04	all purpose cleaner	250ML	X							
22	D 009 500 25	applicator 'order qty. 25'		X							
23	D 002 000 10	adhesive remover	900ML	X							


Model	Year	MG	SG	Illustration	Restrictions	UPD	22:03	11.12.2006		ETKA
PA	2005	8	53	853-20		597	USA			




Pos	Part Number	Name	Remarks	Qty	Model
(1)	3B0 853 369 F	scuff plate - sill panel		1	
	05/02-07/0289H	sunshine beige	left -GC, JD, NH, TY, VD, XS, YT, ZJ, ZS, 54		
	08/02-06/057H7	sunshine beige	-GC, JD, NH, TY, VD, XS, YT, ZJ, ZS, 54		
	05/02-06/0592F	petrol (green)	-JH, NQ, QZ, XF, TZ, XT, YU, ZT, 94		
(1)	3B0 853 369 G	scuff plate - sill panel	left	1	
	05/02-06/05B41	satin black	-BJ, FP, GA, JJ, JL, NG, RW, TW, VA, XR, YY, ZA, ZR, 53		
	05/02-06/05U71	flannel grey	-BK, FH, GU, LP, MY, ND, RV, VP, XB, FQ, GB, JC, TX, RN, VB, ZH		
	12/03-06/057G8	beige	-BL, GV, JG, LT, MZ, NN, QY, VU, XE		
	04/03-06/0571N	anthracite	-BH, BM, FA, GT, JF, LM, MX, NC, NM, QW, RU, VN, VT, XA, 93, 95		
(1)	3B0 853 370 F	scuff plate - sill panel	right	1	
	05/02-06/05U71	flannel grey	-BK, FH, GU, LP, MY, ND, RV, VP, XB, FQ, GB, JC, TX, RN, VB, ZH		
	05/02-07/0289H	sunshine beige	-GC, JD, NH, TY, VD, XS, YT, ZJ, ZS, 54		
	08/02-06/057H7	sunshine beige	-GC, JD, NH, TY, VD, XS, YT, ZJ, ZS, 54		
	05/02-06/0592F	petrol (green)	-JH, NQ, QZ, XF, TZ, XT, YU, ZT, 94		
(1)	3B0 853 370 G	scuff plate - sill panel	right	1	

Model	Year	MG	SG	Illustration	Restrictions	UPD	22:03	11.12.2006		ETKA
PA	2005	8	53	853-20		597	USA			


Pos	Part Number	Name	Remarks	Qty	Model	Pos	Part Number	Name	Remarks	Qty	Model
	05/02-06/05B41	satin black	-BJ, FP, GA, JJ, JL, NG, RW, TW, VA, XR, YY, ZA, ZR, 53			(8)	3B0 853 856 E	side member extension	right front	1	PR-4B9
	12/03-06/057G8	beige	-BL, GV, JG, LT, MZ, NN, QY, VU, XE			9	3B0 853 985	cover strip		2	
	04/03-06/0571N	anthracite	-BH, BM, FA, GT, JF, LM, MX, NC, NM, QW, RU, VN, VT, XA, 93, 95			10	3B0 853 897 A	side member extension	left rear	1	PR-4B1
							05/02-06/05B41	satin black			
						(10)	3B0 853 897 B	side member extension	left rear	1	PR-4B9
2	+ 4A0 857 610	expanding nut		4			05/02-06/043FZ	black			
3	N 907 321 01	innensechsrund-blechschraube	4X16-Q	4		(10)	3B0 853 898 A	side member extension	right rear	1	PR-4B1
4	+ 4B0 867 276 A	clamp		20			05/02-06/05B41	satin black			
5	1H0 853 586	grommet		X		(10)	3B0 853 898 B	side member extension	right rear	1	PR-4B9
		rubbing strips					05/02-06/043FZ	black			
(6)	3B0 853 515 C	protection strip for door	left front	1	PR-4B9	11	+ 3B0 853 575	clip		X	
	05/02-06/05GRU	primed				12	+ N 907 750 01	innensechsrund-blechschraube	4,8X16	X	
(6)	3B0 853 516 C	protection strip for door	right front	1	PR-4B9	13	+ N 908 214 01	expanding nut	D4,8	X	
	05/02-06/05GRU	primed				14	3B0 853 917	flap for jack-socket	left front	1	PR-4B1
(7)	3B0 853 753 D	protection strip for door	left rear	1	PR-4B9		05/02-06/05B41	satin black			
	05/02-06/05GRU	primed				(14)	3B0 853 917 A	flap for jack-socket	left front	1	PR-4B9
(7)	3B0 853 754 D	protection strip for door	right rear	1	PR-4B9		05/02-06/043FZ	black			
	05/02-06/05GRU	primed				(14)	3B0 853 918	flap for jack-socket	right front	1	PR-4B1
		side member extension					05/02-06/05B41	satin black			
8	3B0 853 855 D	side member extension	left front	1	PR-4B1	(14)	3B0 853 918 A	flap for jack-socket	right front	1	PR-4B9
	05/02-06/05B41	satin black					05/02-06/043FZ	black			
(8)	3B0 853 855 E	side member extension	left front	1	PR-4B9			molding - roof			
	05/02-06/043FZ	black						roof channel	left	1	sedan
(8)	3B0 853 856 D	side member extension	right front	1	PR-4B1	15	3B5 853 701 C	roof channel			
	05/02-06/05B41	satin black					05/02-06/0503C	rally black			

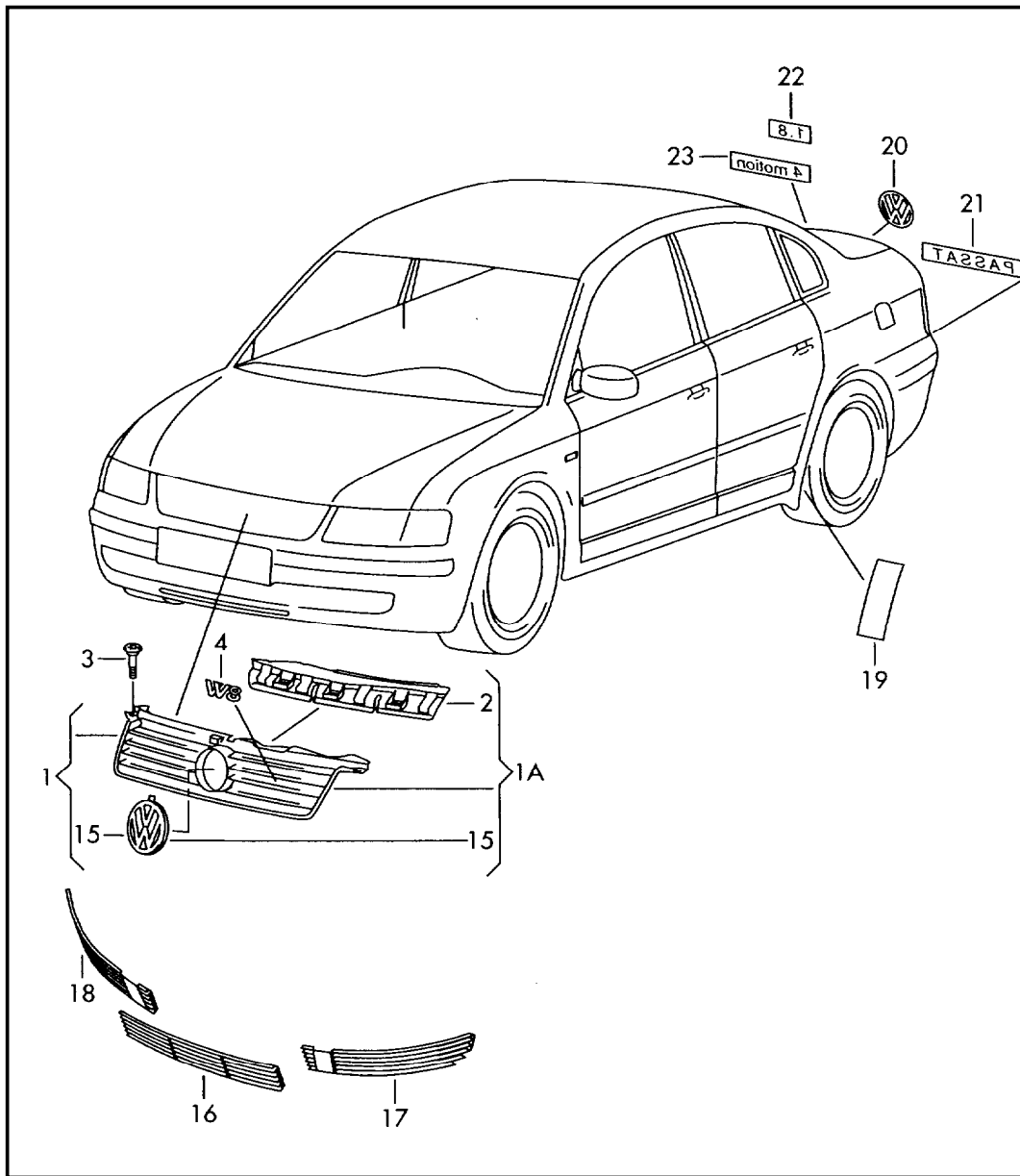
Model	Year	MG	SG	Illustration	Restrictions	UPD	22:03	11.12.2006		ETKA
PA	2005	8	53	853-20		597	USA			

Pos	Part Number	Name	Remarks	Qty	Model	Pos	Part Number	Name	Remarks	Qty	Model
(15)	3B5 853 702 C	roof channel	right	1	sedan	(20)	3B5 853 709 F	cover strip	left	1	sedan: PR-4ZB
	05/02-06/0503C	rally black					05/02-06/05B41	satin black			
16	3B9 853 701 D	roof channel	left	1	WAGON	(20)	3B5 853 710 E	cover strip	right	1	sedan: PR-Z4E
	05/02-06/0503C	rally black					05/02-06/05B41	satin black			
(16)	3B9 853 702 D	roof channel	right	1	WAGON	(20)	3B5 853 710 F	cover strip	right	1	sedan: PR-4ZB
	05/02-06/0503C	rally black					05/02-06/05B41	satin black			
17	3B5 854 701	surround molding	left	1	sedan: PR-4ZE	20A+	N 907 878 02	rivet	AK3, 2X6, 5	X	
	05/02-06/05B41	satin black				21	3B9 853 709 C	cover strip	left	1	WAGON: PR-4ZE
(17)	3B5 854 701 B	surround molding	left	1	sedan: PR-4ZB		05/02-06/05B41	satin black			
	05/02-06/057Z7	aluminium-glossy				(21)	3B9 853 709 D	cover strip	left	1	WAGON: PR-4ZB
(17)	3B5 854 702	surround molding	right	1	sedan: PR-4ZE		05/02-06/05B41	satin black			
	05/02-06/05B41	satin black				(21)	3B9 853 710 C	cover strip	right	1	WAGON: PR-4ZE
(17)	3B5 854 702 B	surround molding	right	1	sedan: PR-4ZB		05/03-06/05B41	satin black			
	05/02-06/057Z7	aluminium-glossy				(21)	3B9 853 710 D	cover strip	right	1	WAGON: PR-4ZB
18	3B9 854 701	surround molding	left	1	WAGON: PR-4ZE		05/02-06/05B41	satin black			
	05/02-06/05B41	satin black						cover for door			
(18)	3B9 854 701 C	surround molding	left	1	WAGON: PR-4ZB	22	3B0 854 939 B	cover for door	left front	1	PR-4B1
	05/02-06/057Z7	aluminium-glossy					05/02-06/05B41	satin black			
(18)	3B9 854 702	surround molding	right	1	WAGON: PR-4ZE	(22)	3B0 854 939 C	cover for door	left front	1	PR-4B9
	05/02-06/05B41	satin black					05/02-06/043FZ	black			
(18)	3B9 854 702 C	surround molding	right	1	WAGON: PR-4ZB	(22)	3B0 854 940 B	cover for door	right front	1	PR-4B1
	05/02-06/057Z7	aluminium-glossy					05/02-06/05B41	satin black			
20	3B5 853 709 E	cover strip	left	1	sedan: PR-4ZE	(22)	3B0 854 940 C	cover for door	right front	1	PR-4B9
	05/02-06/05B41	satin black					05/02-06/043FZ	black			


Model	Year	MG	SG	Illustration	Restrictions	UPD	22:03	11.12.2006		ETKA
PA	2005	8	53	853-20		597	USA			

Pos	Part Number	Name	Remarks	Qty	Model	Pos	Part Number	Name	Remarks	Qty	Model
23	3B0 854 949 B	cover for door	left rear	1	PR-4B1	35	3B0 853 803 C	protective strip foil	front	2	
	05/02-06/05B41	satin black					11/03-06/055Y7	silver			
(23)	3B0 854 949 C	cover for door	left rear	1	PR-4B9	36	3B0 853 805 A	protective strip foil	left rear	1	
	05/02-06/043FZ	black					05/02-09/044Q8	black/silver			
(23)	3B0 854 950 B	cover for door	right rear	1	PR-4B1	(36)	3B0 853 805 C	protective strip foil	left rear	1	
	05/02-06/05B41	satin black					11/03-06/055Y7	silver			
(23)	3B0 854 950 C	cover for door	right rear	1	PR-4B9	(36)	3B0 853 806 A	protective strip foil	right rear	1	
	05/02-06/043FZ	black					05/02-09/044Q8	black/silver			
24 +	N 103 091 01	tapping screw,fill.hd.(combi.)	B4,8X16Z2	X		(36)	3B0 853 806 C	protective strip foil	right rear	1	
26 +	3B0 853 576	clip		X			11/03-06/055Y7	silver			
		connecting strip pillar a									
(30)	3B0 854 327 C	connecting strip	left	1							
	05/02-06/05B41	satin black									
30	3B0 854 328 C	connecting strip	right	1							
	05/02-06/05B41	satin black									
(31)	3B0 854 541 B	retaining strip	left	1							
	05/02-06/05B41	satin black									
31	3B0 854 542	retaining strip as required use:	right D 438 515 A1	1							
	05/02-06/05B41	satin black									
32	3B0 853 803	protect. foil for side member	front	2							
	05/02-05/02B41	satin black									
33	3B0 853 805	protect. foil for side member	left rear	1							
	05/02-05/02B41	satin black									
(33)	3B0 853 806	protect. foil for side member	right rear	1							
	05/02-05/02B41	satin black									
35	3B0 853 803 A	protective strip foil	front	2							
	05/02-09/044Q8	black/silver									


Model	Year	MG	SG	Illustration	Restrictions	UPD	22:03	11.12.2006		ETKA
PA	2005	8	53	853-40		597	USA			

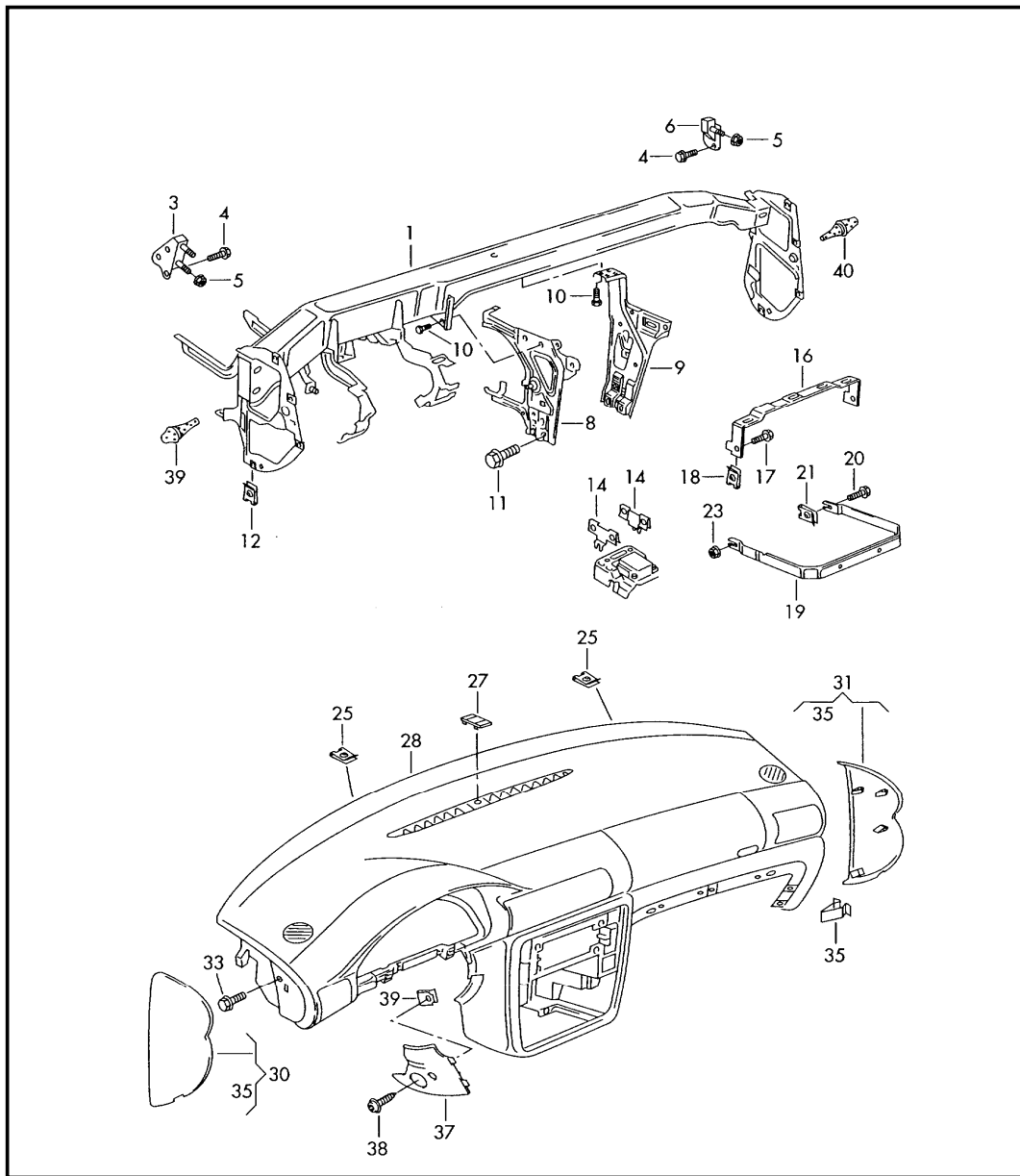


Pos	Part Number	Name	Remarks	Qty	Model
1	3B0 853 651 L	radiator grille		1	4 cylinder
	05/02-06/053FZ	satin black			
1A	3B0 853 651 K	radiator grille with chromed mouldings		1	6-, 8-cyl.
	05/02-06/053FZ	satin black			
-	100 853 001	cover foil radiator grille		1	
2	3B0 853 562	air duct		1	6-, 8-cyl.
3	N 908 259 01	innensechsrund-zyl-bundschr.	M6X27	X	
4	3B0 853 679 A	inscription radiator grille	'W8'	1	
	05/02-06/05PWV	satin black/chrom			
15	3B0 853 601 C	vw sign	front	1	
	05/02-06/05FDY	chrome			
16	3B0 853 677 E	cooling air grill	center	1	
	05/02-06/05B41	satin black			
17	3B0 853 665 H	cover	left	1	
	05/02-06/05B41	satin black			
(17)	3B0 853 665 L	cover for vehicles with fog lamps	left	1	
	05/02-06/05B41	satin black			
18	3B0 853 666 H	cover	right	1	
	05/02-06/05B41	satin black			
(18)	3B0 853 666 L	cover for vehicles with fog lamps	right	1	
	05/02-06/05B41	satin black			
19	3B0 807 905 A	protective foil	left	1	
(19)	3B0 807 906 A	protective foil	right	1	


Model	Year	MG	SG	Illustration	Restrictions	UPD	22:03	11.12.2006		ETKA
PA	2005	8	53	853-40		597	USA			

Pos	Part Number	Name	Remarks	Qty	Model	Pos	Part Number	Name	Remarks	Qty	Model
		inscriptions									
20	3B5 853 630	vw sign	rear	1	sedan						
	05/02-06/05FDY	chrome									
(20)	3B9 853 630	vw sign	rear	1	WAGON						
	05/02-06/05FDY	chrome									
21	3B0 853 687	inscription	'PASSAT'	1							
	05/02-06/05739	chrome									
22	3B0 853 675 A	inscription	'1.8T'	1							
	05/02-06/05739	chrome									
(22)	3B0 853 675 C	inscription	'V6'	1							
	05/02-06/05739	chrome									
(22)	1J0 853 675 H	inscription	'V6'	1							
	05/02-11/03GQF	chrome/red									
(22)	1J0 853 675 AA	inscription	'V6'	1							
	12/03-04/04GQF	chrome/red									
(22)	3B0 853 675 AL	inscription	'V6 TDI'	1							
	05/04-06/05739	chrome									
(22)	3B0 853 675 AD	inscription	'V6 TDI'	1							
	05/04-06/05GQF	chrome/red									
(22)	1J0 853 675 AC	inscription	'TDI'	1							
	12/03-04/04GQF	red									
(22)	3B0 853 675 AK	inscription	'2.0 TDI'	1							
	05/04-06/05739	chrome									
(22)	3B0 853 675 AE	inscription	'4MOTION'	1							
	05/02-06/05GQF	chrome/red									
(22)	3B0 853 675 R	inscription	'W8'	1							
	05/02-06/05739	chrome									


Model	Year	MG	SG	Illustration	Restrictions	UPD	22:03	11.12.2006		ETKA
PA	2005	8	57	857-00		597	USA			




Pos	Part Number	Name	Remarks	Qty	Model
		dashboard dashboard installation parts			
(1)	8D1 857 025 Q	cross member for dashbord	lhd	1	
3	8D1 857 087 C	retaining clamp cross member	left	lhd	1
4	443 845 643 C	screw, hex. hd.	M8X28	5	
5	N 907 684 01	hex. nut	M10	3	
6	8D1 857 088 B	retaining clamp cross member	right	lhd	1
(8)	3B1 857 319 B	support	left	lhd	1
(9)	3B1 857 320 A	support	right	lhd	1
10	N 906 546 01	bolt, hex. hd. with pin (combi)	M6X18,25-TO	4	
11	N 010 213 9	bolt, hex. hd., self-locking	M5X15	4	
12	+ N 903 562 03	speed nut	M5X17X17	4	
(12)	+ N 901 686 04	speed nut	M6X16X24	1	
14	8D0 867 199	speed nut	M5	2	
(16)	3B1 857 056 A	retaining plate	lhd center upper	1	PR-2T1
17	N 907 290 02	fill. hd. screw (combi.)	M5X16	5	
18	+ N 903 562 03	speed nut	M5X17X17	5	
19	3B0 858 385 A	retaining plate	center lower	1	
20	N 904 388 01	bolt, hex. hd. (combi.)	M5X15-LD	1	
21	N 904 759 02	speed nut	M5X13,6X11,5	1	
23	N 904 349 01	hex. nut with washer		1	
25	3B0 857 117	clamp		2	
27		see illustration:	820-31		
(28)	3B1 857 002 BL 05/02-10/03LWE	dashboard black/satin black	lhd	1	PR-2T1
			-BJ, FP, GA, JJ, JL, NG, RW, TW, VA, XR, YY, ZA, ZR, 53		

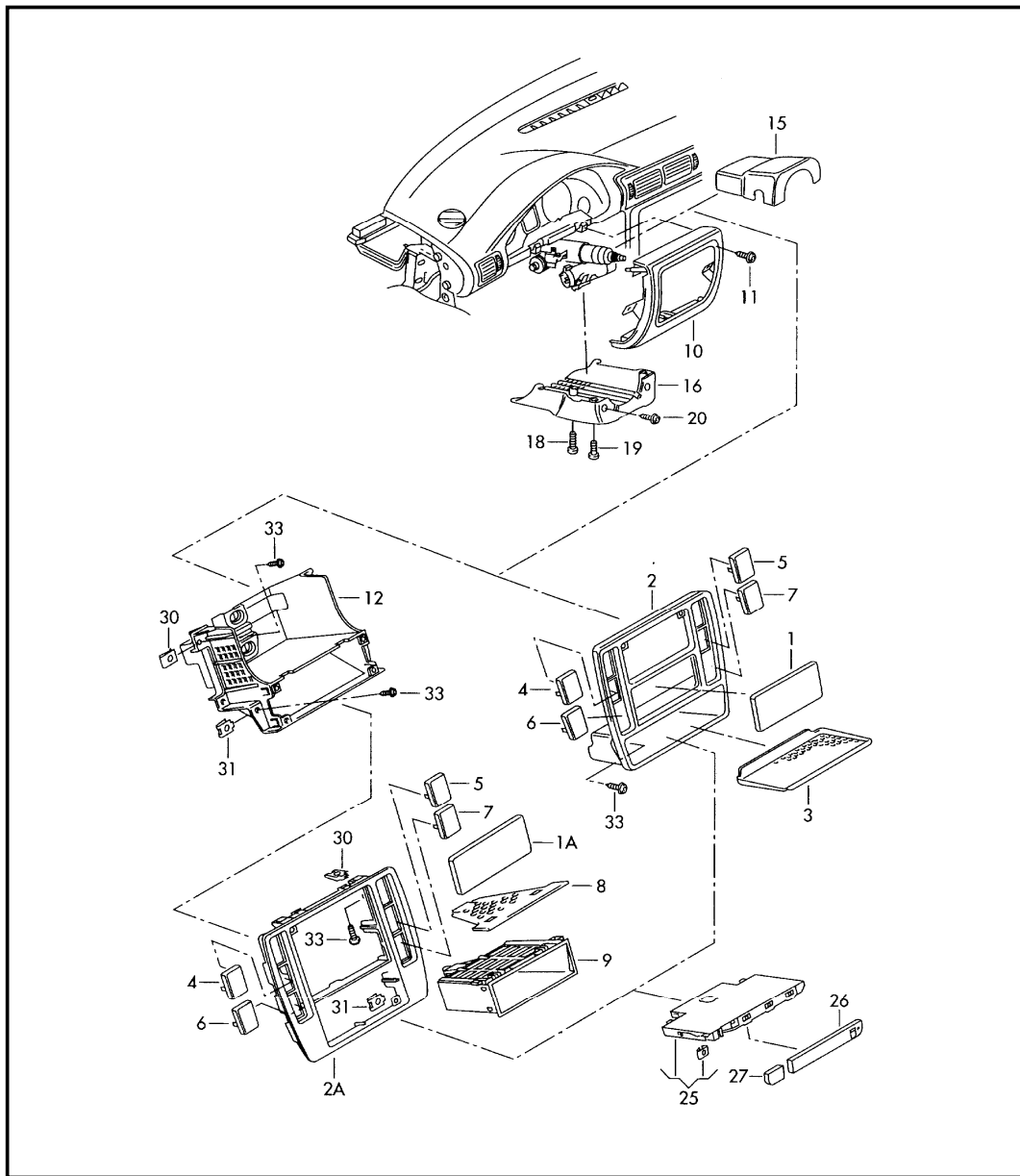
Model	Year	MG	SG	Illustration	Restrictions	UPD	22:03	11.12.2006		ETKA
PA	2005	8	57	857-00		597	USA			

Pos	Part Number	Name	Remarks	Qty	Model	Pos	Part Number	Name	Remarks	Qty	Model
	05/02-10/03LWF	platin/sun beige	-GC, JD, NH, TY, VD, XS, YT, ZJ, ZS, 54				11/03-06/0575R	anthracite	-BH, BK, BM, FA, FH, GT, GU, JF, JH, LM, LP, MX, MY, NC, ND, NM, NO, QW, QZ, RU, RV, VN, VP, VT, XA, XB, 92, 93, 94, 95, 96		
	05/02-10/03LWG	platin-dark/platin	-FQ, GB, JC, RN, TX, VB, ZH, NJ								
	11/03-06/05SCR	anthracite	-FA, GT, JF, LM, MX, NM, VN, VT, 92, 93, 95, BH, BM, RU, NC			(31)	3B0 858 036 A	cap	right	1	
	11/03-06/05SCS	anthracite/flannel gray	-GU, LP, MY, VP, BK, FH, RV, 96				05/02-10/032AQ	black	-BJ, FP, GA, JJ, JL, NG, RW, TW, TZ, VA, XR, XT, YU, YY, ZA, ZR, ZT, 53		
	11/03-06/05SCT	walnut/pure beige	-GV, JG, LT, MZ, NN, VU, BL				05/02-10/034ET	platinum	-FQ, GB, GC, JC, JD, NH, NJ, RN, TX, TY, VB, VD, XS, YT, ZH, ZJ, ZS, 54		
(28)	3B1 857 002 BQ	dashboard for vehicles with chromed mouldings		1	PR-2T1+QJ1						
	05/02-10/03NAA	black/satin black	-TW, XR, YY, ZR								
	05/02-10/03NAB	platin/sun beige	-TY, XS, YT, ZS				11/03-06/056BK	walnut	-BL, GV, JG, LT, MZ, NN, QY, VU, XE		
	05/02-10/03NAC	platin-dark/platin	-TX								
	11/03-06/05SCX	anthracite	-JF, LM, NM, QW, XA				11/03-06/0575R	anthracite	-BH, BK, BM, FA, FH, GT, GU, JF, JH, LM, LP, MX, MY, NC, ND, NM, NO, QW, QZ, RU, RV, VN, VP, VT, XA, XB, 92, 93, 94, 95, 96		
	11/03-06/05SCY	anthracite/flannel gray	-LP, XB								
	11/03-06/05SDA	walnut/pure beige	-JG, LT, NN, QY, XE								
-	3B0 857 314	felt strip	40X12X1MM	2		33	N 907 290 02	fill. hd. screw (combi.)	MSX16	8	
(30)	3B0 858 035 A	cap	left	1		35	+ 4B0 867 276 A	clamp		1	
	05/02-10/032AQ	black	-BJ, FP, GA, JJ, JL, NG, RW, TW, TZ, VA, XR, XT, YU, YY, ZA, ZR, ZT, 53			(35)	4D0 867 276 D	clamp		2	
	05/02-10/034ET	platinum	-FQ, GB, GC, JC, JD, NH, NJ, RN, TX, TY, VB, VD, XS, YT, ZH, ZJ, ZS, 54			37	3B1 858 207 D	cover for center console	left lhd	1	
	11/03-06/056BK	walnut	-BL, GV, JG, LT, MZ, NN, QY, VU, XE				05/02-10/03A94	satin black	-BJ, FP, GA, JJ, JL, NG, RW, TW, VA, XR, YY, ZA, ZR, 53		
							11/03-06/0575R	anthracite	-BH, BM, FA, GT, JF, LM, MX, NC, NM, QW, RU, VN, VT, XA, 92, 93, 95		


Model	Year	MG	SG	Illustration	Restrictions	UPD	22:03	11.12.2006		ETKA
PA	2005	8	57	857-00		597	USA			

Pos	Part Number	Name	Remarks	Qty	Model	Pos	Part Number	Name	Remarks	Qty	Model
	05/02-06/057DE	flannel grey	-FQ, GB, JC, RN, TX, VB, ZH, NJ, FH, GU, LP, MY, ND, RV, VP, XB, BK, 96								
	05/02-10/0392Y	sunshine beige	-GC, JD, NH, TY, VD, XS, YT, ZJ, ZS, 54								
	11/03-06/057R3	beige	-BL, GV, JG, LT, MZ, NN, QY, VU, XE								
	05/02-06/0593R	petrol (green)	-TZ, XT, YU, ZT, JH, NQ, QZ, 94								
(37)	3B1 858 208 E	cover for center console	right	1	lhd						
	05/02-10/03A94	satin black	-BJ, FP, GA, JJ, JL, NG, RW, TW, VA, XR, YY, ZA, ZR, 53								
	11/03-06/0575R	anthracite	-BH, BM, FA, GT, JF, LM, MX, NC, NM, QW, RU, VN, VT, XA, 92, 93, 95								
	05/02-06/057DE	flannel grey	-FQ, GB, JC, RN, TX, VB, ZH, NJ, BK, FH, GU, LP, MY, ND, RV, VP, XB, 96								
	05/02-10/0392Y	sunshine beige	-GC, JD, NH, TY, VD, XS, YT, ZJ, ZS, 54								
	11/03-06/057R3	beige	-BL, GV, JG, LT, MZ, NN, QY, VU, XE								
	05/02-06/0593R	petrol (green)	-TZ, XT, YU, ZT, JH, NQ, QZ, 94								
39	4B0 858 967	buffer (drivers side)		1							
40	4B0 858 968	buffer (passenger side)		1							


Model	Year	MG	SG	Illustration	Restrictions	UPD	22:04	11.12.2006		ETKA
PA	2005	8	57	857-10		597	USA			

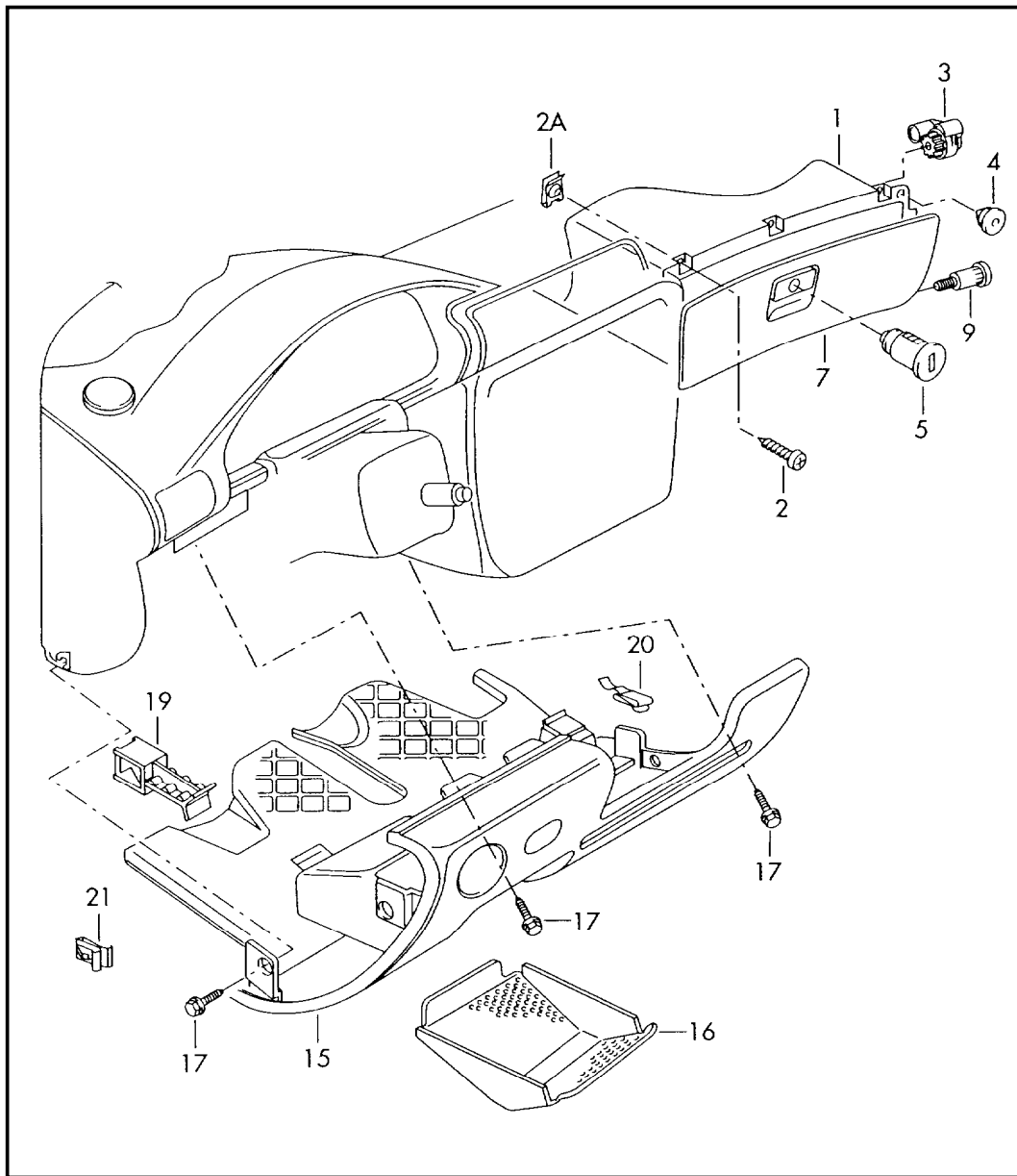


Pos	Part Number	Name	Remarks	Qty	Model
		dashboard installation parts			
1	1H0 857 231 A	trim for radio opening		1	
	05/02-06/0501C	satin black			
1A	1J0 857 231	trim for radio opening		1	
	05/02-06/053X1	black			
(2A)	3B0 858 069 AS	trim	center	1	PR-2T1
	05/02-06/052WE	burr walnut			PR-5MG
	05/02-06/056H3	zebrano (brown)	EXECUTIVE		PR-5TX
	05/02-10/0393G	vavona (amber)			PR-5TW
	11/03-06/054BA	tamo (root brown)			PR-5TK
	01/04-06/055BA	popular grain (brown)	EXCLUSIVE		PR-5TX
(2A)	3B0 858 069 AT	trim	center	1	PR-2T1+5MA
	05/02-06/052AQ	black			
(3)	3B0 858 169 B	insert for stowage compartment		1	
	05/02-06/0501C	satin black			
4	3B0 858 179	blind cover	left, center	1	
	05/02-06/052AQ	black			
5	3B0 858 179 A	blind cover	right, center	1	
	05/02-06/052AQ	black			
6	3B0 858 180	blind cover	left lower	1	
	05/02-06/052AQ	black			
7	3B0 858 180 A	blind cover	right lower	1	
	05/02-06/052AQ	black			
8	1J0 857 725 C	intermediate piece		1	
9	3B0 857 058	shelf	center	1	
	05/02-06/052AQ	black			
(10)	3B1 858 345 C	cover for steering column		1	lhd
	05/02-11/042AQ	black			
(10)	3B1 858 345 D	cover for steering column		1	lhd


Model	Year	MG	SG	Illustration	Restrictions	UPD	22:04	11.12.2006		ETKA
PA	2005	8	57	857-10		597	USA			

Pos	Part Number	Name	Remarks	Qty	Model	Pos	Part Number	Name	Remarks	Qty	Model
	12/04-06/052AQ	black									
11	N 907 357 01	innensechsrund-linsenbundschr.	M4X15-H	4							
-	+ N 904 190 02	speed nut	M4X15X17,5	2							
12	3B0 858 757	retaining frame	center	1	PR-2T1						
15	3B1 858 565 A	trim, upper part steering col. combi switch		1					lhd		
	05/02-06/052AQ	black									
16	3B1 858 559	trim, lower part steering col. combi switch		1					lhd		
	05/02-06/052AQ	black									
18	N 904 556 03	bolt, with hex. socket hd.	M5X15	1							
19	N 043 951 3	tapping screw, fill. hd.	BZ2,9X25	2							
20	N 102 853 01	fillister hd. screw	M3X12	2							
25		see illustration:	863-50 POS.5								
26-27	3B0 858 585	trim		X							
	05/02-06/052AQ	black									
26-27	3B0 858 585 A	trim		X							
	05/02-06/052ZS	black/brown-netoptic									
26-27	3B0 858 585 C	trim		1							
	05/02-06/052WE	burr walnut			PR-5MG						
	05/02-06/056H3	zebrano (brown)	EXECUTIVE		PR-5TX						
	05/02-10/0393G	vavona (amber)			PR-5TW						
	11/03-06/054BA	tamo (root brown)			PR-5TK						
	01/04-06/055BA	popular grain (brown)	EXCLUSIVE		PR-5TX						
30	N 906 988 01	speed nut	ST4,2X16X12	2							
31	N 906 989 01	speed nut	4,2X16X12	4							
33	+ N 906 986 03	innensechsrund-blechschrabe	ST4,2X16-C-T20	6							


Model	Year	MG	SG	Illustration	Restrictions	UPD	22:04	11.12.2006		ETKA
PA	2005	8	57	857-20		597	USA			




Pos	Part Number	Name	Remarks	Qty	Model
(1)	3B1 857 101 H	glove box shelf		1	
		glove box	lhd	1	
		as required use:	3B1 820 701		
	05/02-10/03A94	satin black	-BJ, FP, GA, JJ, JL, NG, RW, TW, VA, XR, YY, ZA, ZR, 53		
	11/03-06/0575R	anthracite	-BH, BM, FA, GT, JF, LM, MX, NC, NM, QW, RU, VN, VT, XA		
	05/02-06/057DE	flannel grey	-FQ, GB, JC, RN, TX, VB, ZH, NJ, BK, FH, GU, LP, MY, ND, RV, VP, XB		
	05/02-10/0392Y	sunshine beige	-GC, JD, NH, TY, VD, XS, YT, ZJ, ZS, 54		
	11/03-06/057R3	beige	-BL, GV, JG, LT, MZ, NN, QY, VU, XE		
	05/02-06/0593R	petrol (green)	-TZ, XT, YU, ZT, JH, NQ, QZ		
(1)	3B1 857 101 L	glove box	lhd	1	PR-4UF
	11/03-06/057DE	flannel grey	-BK, FH, GU, LP, MY, ND, RV, VP, XB		
	11/03-06/057R3	beige	-BL, GV, JG, LT, MZ, NN, QY, VU, XE		
	11/03-06/0575R	anthracite	-BH, BM, FA, GT, JF, LM, MX, NC, NM, QW, RU, VN, VT, XA, 93, 95		
	11/03-06/0593R	petrol (green)	-JH, NQ, QZ, 94		
2	+ N 906 986 03	innensechsrund-blechschraube	ST4, 2X16-C-T20	7	
2A	N 906 988 01	speed nut	ST4, 2X16X12	7	
3	3B1 858 309 B	brake element		lhd 1	
4	N 905 814 01	plug	A7X2	2	

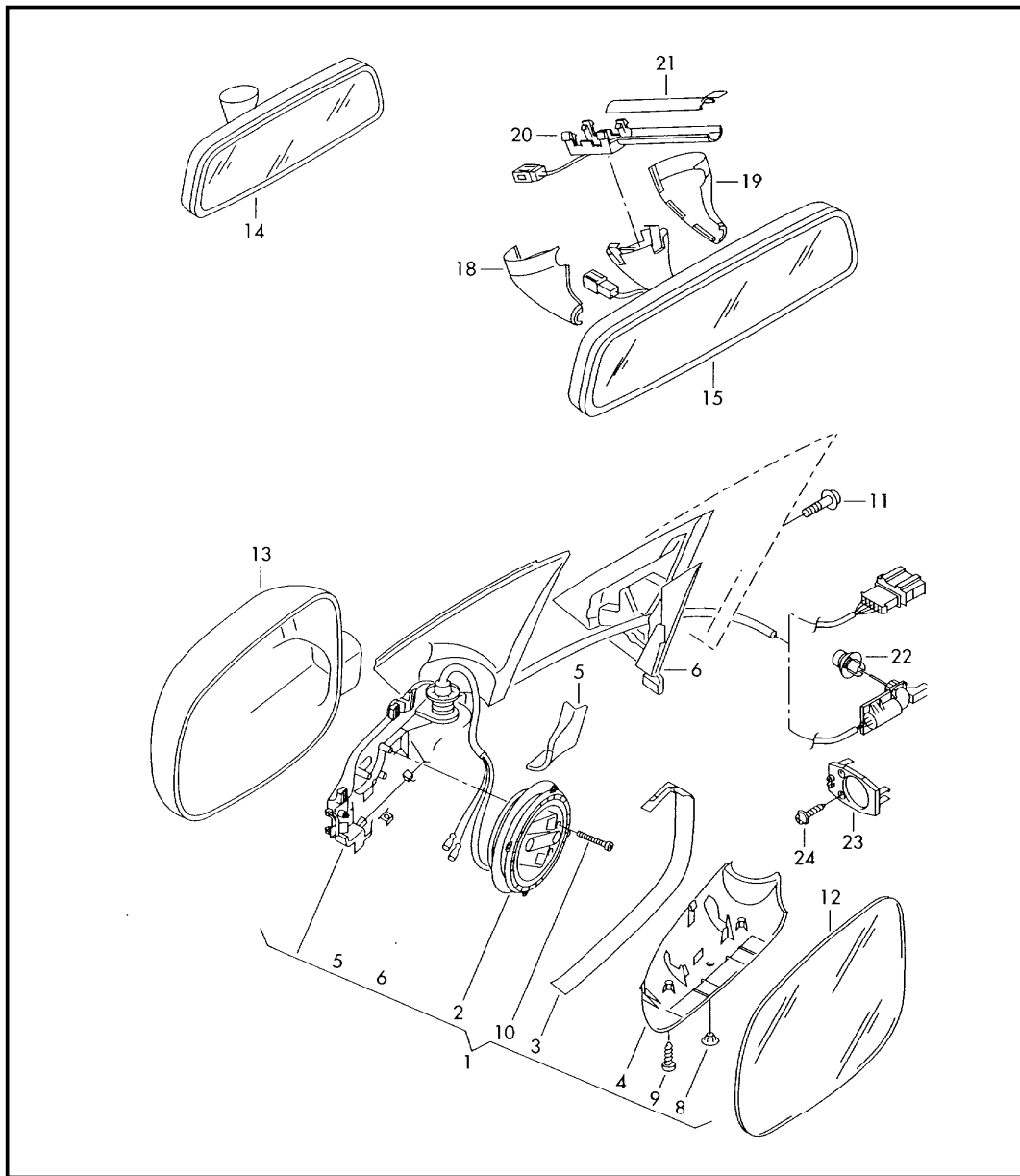
Model	Year	MG	SG	Illustration	Restrictions	UPD	22:04	11.12.2006		ETKA
PA	2005	8	57	857-20		597	USA			

Pos	Part Number	Name	Remarks	Qty	Model	Pos	Part Number	Name	Remarks	Qty	Model
5	f 107 857 113 JB	lock cylinder without key * to retain the one key * system the key code * number and/or vehicle * ident.number (vin) must * be quoted when ordering		1			11/03-06/057R3	beige	-LT,MZ,NN,QY, VU		
(7)	3B1 857 122 F	glove box lid	lhd	1		(15)	3B1 857 921 G	shelf for vehicles with chromed mouldings	left lhd	1	PR-QJ1
	05/02-10/03A94	satin black		1			05/02-09/02A94	satin black	-BJ,FP,GA,JJ, JL,NG,RW,TW, VA,XR,YY,ZA, ZR		
	11/03-06/0575R	anthracite					05/02-09/027DE	flannel grey	-FQ,GB,JC,RN, TX,VB,ZH		
	05/02-06/057DE	flannel grey					05/02-09/0292Y	sunshine beige	-GC,JD,NH,TY, VD,XS,YT,ZJ, ZS		
	05/02-10/0392Y	sunshine beige				(15)	3B1 857 921 L	shelf for vehicles with chromed mouldings	left lhd	1	PR-QJ1
	11/03-06/057R3	beige					10/02-10/03A94	satin black	-BJ,FP,GA,JJ, JL,NG,RW,TW, VA,XR,YY,ZA, ZR		
9	3B0 857 169	pin - hinge		2			11/03-06/0575R	anthracite	-JF,LM,NM,QW, XA		
15	3B1 857 921 K	shelf	left lhd	1			10/02-06/057DE	flannel grey	-FQ,GB,JC,RN, TX,VB,ZH,LP, XP		
	05/02-10/03A94	satin black					10/02-10/0392Y	sunshine beige	-GC,JD,NH,TY, VD,XS,YT,ZJ, ZS		
	11/03-06/0575R	anthracite					11/03-06/057R3	beige	-JG,LT,NN,QY, XE		
	05/02-06/057DE	flannel grey					10/02-06/0593R	petrol (green)	-TZ,XT,YU,ZT, JH,NQ,QZ		
	05/02-10/0392Y	sunshine beige				16	3B1 858 166	insert for stowage box	left lhd	1	
							05/02-06/0501C	satin black			
						17	N 904 388 01	bolt, hex. hd. (combi.)	M5X15-LD	X	
						19	893 863 096	bracket		1	
						20	8D0 857 119	spring clip		1	


Model	Year	MG	SG	Illustration	Restrictions	UPD	22:04	11.12.2006		ETKA
PA	2005	8	57	857-20		597	USA			

Pos	Part Number	Name	Remarks	Qty	Model	Pos	Part Number	Name	Remarks	Qty	Model
21	3B0 858 137	spring clip		2							


Model	Year	MG	SG	Illustration	Restrictions	UPD	22:04	11.12.2006		ETKA
PA	2005	8	57	857-40		597	USA			




Pos	Part Number	Name	Remarks	Qty	Model
		rear view mirror F >> 3B-4-160 000*			
(1)	3B1 857 507 K	rear view mirror housing for vehicles with rear view mirror electrically operated and heated	left	lhd	1
	05/02-10/0301C	satin black			
(1)	3B1 857 507 M	rear view mirror housing for vehicles with rear view mirror electrically operated, folding and heated	left	lhd	1
	05/02-10/0301C	satin black			
(1)	3B1 857 507 L	rear view mirror housing for vehicles with electrically operated folding rear mirror, heated and electric memory seat and backrest adjustment	left	lhd	1
	05/02-10/0301C	satin black			
(1)	3B1 857 508 AB	rear view mirror housing for vehicles with rear view mirror electrically operated and heated	right	lhd	1
	05/02-10/0301C	satin black			
(1)	3B1 857 508 AF	rear view mirror housing for vehicles with rear view mirror electrically operated, folding and heated	right	lhd	1
	05/02-10/0301C	satin black			
(1)	3B1 857 508 AD	rear view mirror housing for vehicles with electrically operated folding rear mirror, heated and electric memory seat and backrest adjustment	right	lhd	1
	05/02-10/0301C	satin black			
2	3D0 959 578 B	adjuster with motor for rear view mirror	left a. right		2
(2)	3D0 959 578 C	adjuster with motor for rear view mirror	left a. right		2
3	3B0 857 601	trim	left inner		1

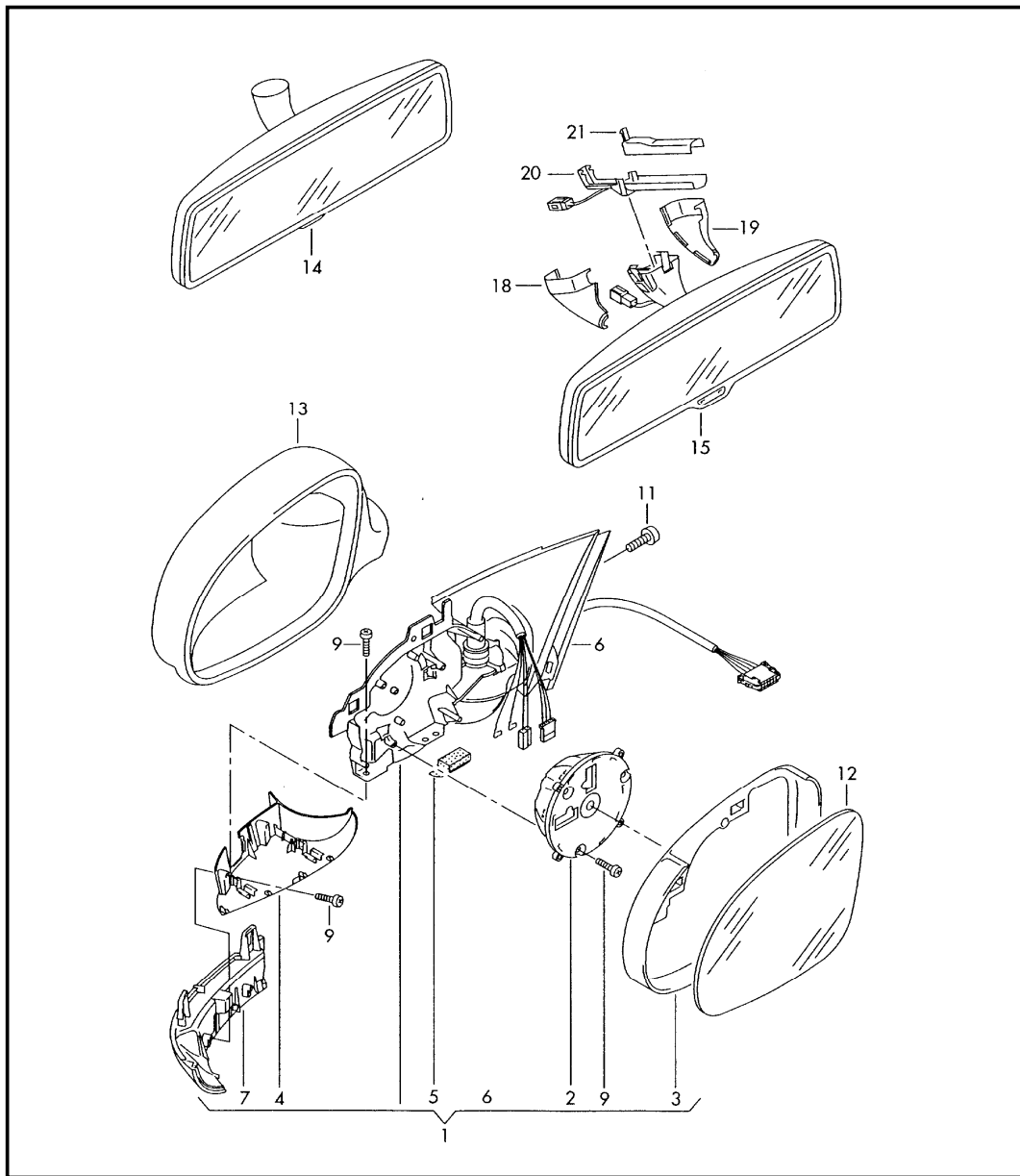
Model	Year	MG	SG	Illustration	Restrictions	UPD	22:04	11.12.2006		ETKA
PA	2005	8	57	857-40		597	USA			

Pos	Part Number	Name	Remarks	Qty	Model	Pos	Part Number	Name	Remarks	Qty	Model
	05/02-10/0301C	satin black					05/02-10/03Y20	pearl grey	-BJ, FP, FQ, GA, GB, JC, JJ, JL, NG, NJ, RN, RW, TW, TX, VA, VB, XR, XT, YU, YY, ZA, ZH, ZR, ZT, 53		
(3)	3B0 857 602	trim	right inner	1							
	05/02-10/0301C	satin black					05/02-10/0389H	sunshine beige	-GC, JD, NH, TY, VD, XS, YT, ZJ, ZS, 54		
4	3B0 857 603	trim	left lower	1							
	05/02-10/0301C	satin black									
(4)	3B0 857 604	trim	right lower	1		(15)	3B0 857 511 J	interior rear view mirror, automatic anti-dazzle for vehicles with rain sensor		1	
	05/02-10/0301C	satin black									
5	3B0 857 599	trim	left	1			05/02-10/03Y20	pearl grey	-GA, GB, VA, VB		
	05/02-10/0301C	satin black									
(5)	3B0 857 600	trim	right	1			05/02-10/0389H	sunshine beige	-GC, VD		
	05/02-10/0301C	satin black				(18)	3B0 858 547 A	cap for vehicles with rain sensor	left	1	
6	3B0 857 933 A	sound absorber	left	1							
(6)	3B0 857 934 A	sound absorber	right	1			05/02-10/03Y20	pearl grey	-BJ, FP, FQ, GA, GB, JC, JJ, JL, NG, RN, RW, TW, TX, TZ, VA, VB, XR, XT, YU, YY, ZA, ZH, ZR, ZT, NJ, 53		
8	6X0 839 939	plug		2							
9	N 102 853 01	fillister hd. screw	M3X12	X							
11	N 103 479 01	innensechsrund-zylinderbundschraube (kombi)	M8X25	2			05/02-10/0389H	sunshine beige	-GC, JD, NH, TY, VD, XS, YT, ZJ, ZS, 54		
12	3B1 857 521 A	mirror glass (flat) heated with plate	left 175X100MM	lhd 1							
(12)	3B1 857 522 A	mirror glass (convex) heated with carrier plate	right 175X100MM	lhd 1		(19)	3B0 858 548 A	cap for vehicles with rain sensor	right	1	
13	3B0 857 537 B	cap for rear view mirror	left	1			05/02-10/03Y20	pearl grey	-BJ, FP, FQ, GA, GB, JC, JJ, JL, NG, RN, RW, TW, TX, TZ, VA, VB, XR, XT, YU, YY, ZA, ZH, ZR, ZT, NJ, 53		
	05/02-10/03GRU	primed									
(13)	3B0 857 538 B	cap for rear view mirror	right	lhd 1			05/02-10/0389H	sunshine beige	-GC, JD, NH, TY, VD, XS, YT, ZJ, ZS, 54		
	05/02-10/03GRU	primed									
(14)	3B0 857 511 G	rear view mirror, inner anti-dazzle		1		(20)	3B0 857 591 A	wiring conduit, lower part for vehicles with rain sensor		1	


Model	Year	MG	SG	Illustration	Restrictions	UPD	22:04	11.12.2006		ETKA
PA	2005	8	57	857-40		597	USA			

Pos	Part Number	Name	Remarks	Qty	Model	Pos	Part Number	Name	Remarks	Qty	Model
	05/02-10/03Y20	pearl grey	-BJ, FP, FQ, GA, GB, JC, JJ, JL, NG, RN, RW, TW, TX, TZ, VA, VB, XR, XT, YU, YY, ZA, ZH, ZR, ZT, NJ, 53								
	05/02-10/0389H	sunshine beige	-GC, JD, NH, TY, VD, XS, YT, ZJ, ZS, 54								
(21)	3B0 857 594 A	wiring conduit, upper part for vehicles with rain sensor		1							
	05/02-10/03Y20	pearl grey	-BJ, FP, FQ, GA, GB, JC, JJ, JL, NG, RN, RW, TW, TX, TZ, VA, VB, XR, XT, YU, YY, ZA, ZH, ZR, ZT, NJ, 53								
	05/02-10/0389H	sunshine beige	-GC, JD, NH, TY, VD, XS, YT, ZJ, ZS, 54								


Model	Year	MG	SG	Illustration	Restrictions	UPD	22:04	11.12.2006		ETKA
PA	2005	8	57	857-42		597	USA			




Pos	Part Number	Name	Remarks	Qty	Model
		rearview mirror with flashing light F 3B-4-160 001>>*			
1	3B1 857 507 P	rear view mirror housing for vehicles with rear view mirror electrically operated and heated	left	lhd 1	
	11/03-07/0401C	satin black			
(1)	3B1 857 507 T	rear view mirror housing for vehicles with rear view mirror electrically operated and heated	left	lhd 1	
	08/04-06/0501C	satin black			
(1)	3B1 857 508 AL	rear view mirror housing for vehicles with rear view mirror electrically operated and heated	right	lhd 1	
	11/03-07/0401C	satin black			
(1)	3B1 857 508 AT	rear view mirror housing for vehicles with rear view mirror electrically operated and heated	right	lhd 1	
	08/04-06/0501C	satin black			
(1)	3B1 857 507 R	rear view mirror housing for vehicles with rear view mirror electrically operated, folding and heated	left	lhd 1	
	11/03-07/0401C	satin black			
(1)	3B1 857 507 AB	rear view mirror housing for vehicles with rear view mirror electrically operated, folding and heated	left	lhd 1	
	08/04-06/0501C	satin black			
(1)	3B1 857 508 AQ	rear view mirror housing for vehicles with rear view mirror electrically operated, folding and heated	right	lhd 1	
	11/03-07/0401C	satin black			
(1)	3B1 857 508 BB	rear view mirror housing for vehicles with rear view mirror electrically operated, folding and heated	right	lhd 1	

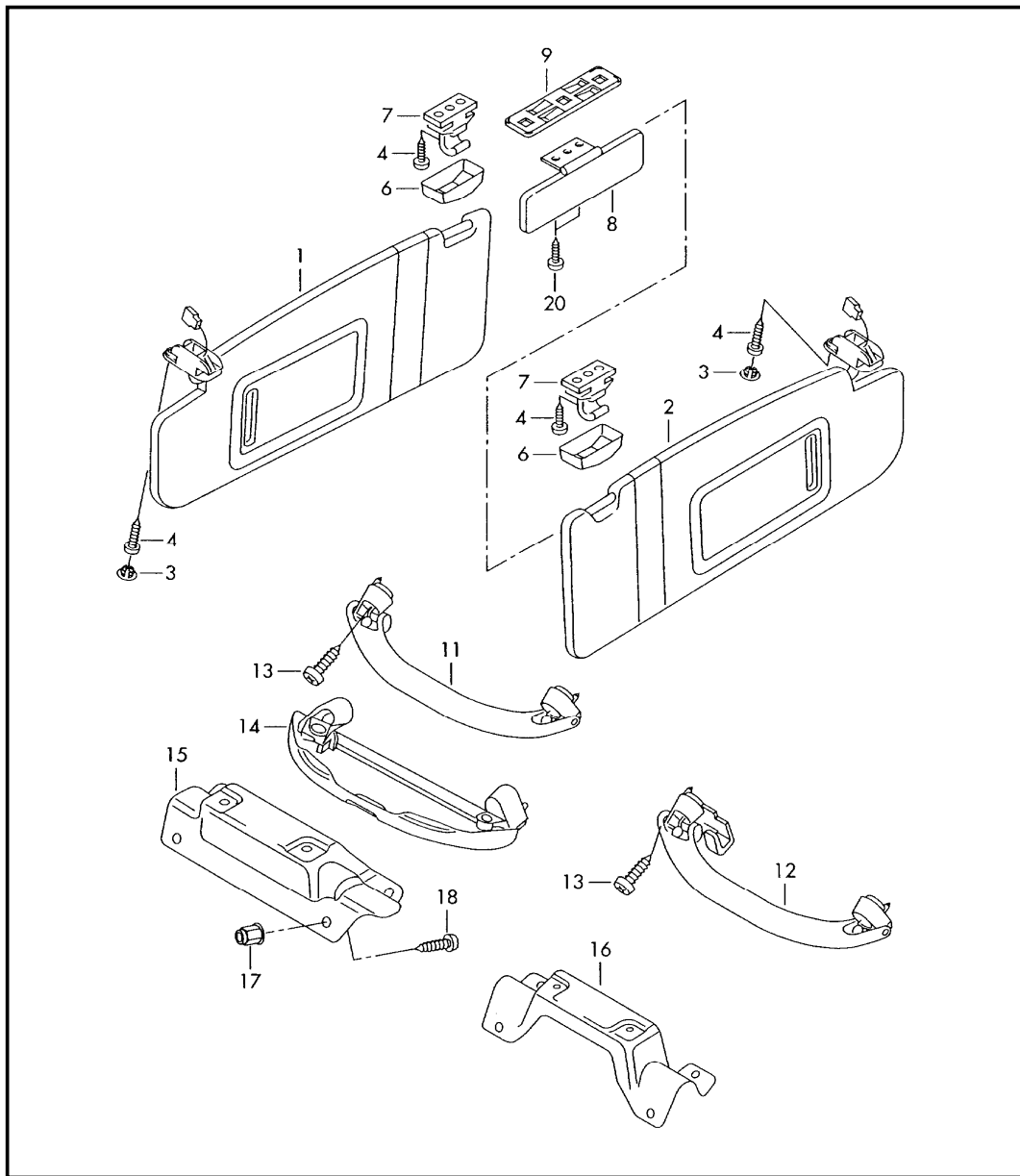
Model	Year	MG	SG	Illustration	Restrictions	UPD	22:04	11.12.2006		ETKA
PA	2005	8	57	857-42		597	USA			

Pos	Part Number	Name	Remarks	Qty	Model	Pos	Part Number	Name	Remarks	Qty	Model
	08/04-06/0501C	satin black					11/03-06/059B9	satin black			
(1)	3B1 857 507 Q	rear view mirror housing for vehicles with electrically operated folding rear mirror, heated and electric memory seat and backrest adjustment	left lhd	1		(4)	1K0 857 578	trim	right lower	1	
	11/03-07/0401C	satin black					11/03-06/059B9	satin black			
(1)	3B1 857 507 AA	rear view mirror housing for vehicles with electrically operated folding rear mirror, heated and electric memory seat and backrest adjustment	left lhd	1		5	3B0 857 369	plug	left	1	
	08/04-06/0501C	satin black				(5)	3B0 857 370	plug	right	1	
(1)	3B1 857 508 AN	rear view mirror housing for vehicles with electrically operated folding rear mirror, heated and electric memory seat and backrest adjustment	right lhd	1		6	3B0 857 933 B	sound absorber	left	1	
	11/03-07/0401C	satin black				(6)	3B0 857 934 B	sound absorber	right	1	
(1)	3B1 857 508 BA	rear view mirror housing for vehicles with electrically operated folding rear mirror, heated and electric memory seat and backrest adjustment	right lhd	1		7		turn signal	see illustration: 941-80	2	
	08/04-06/0501C	satin black				9	3B0 898 011	1 set of mounting parts for rear view mirror		X	
(1)	3D0 959 578 B	adjuster with motor for rear view mirror		2		11	N 103 479 01	innensechsrund-zyylinderbund-schraube (kombi)	M8X25	2	
	11/03-07/0401C	satin black				(12)	1K0 857 521 A	mirror glass (flat) heated with plate	left lhd	1	
(1)	3D0 959 578 C	adjuster with motor for rear view mirror for vehicles with electric memory adjustable rear view mirror		2		(12)	1K0 857 522 A	mirror glass (convex) heated with carrier plate with inscription in language: english-usa	right lhd	1	
	08/04-06/0501C	satin black				13	1K0 857 537	cap for rear view mirror	left	1	
2	1K0 857 601	trim	left inner	1			11/03-06/05GRU	primed for painting in color of vehicle			
	11/03-06/059B9	satin black				(13)	1K0 857 538	cap for rear view mirror	right	1	
(3)	1K0 857 602	trim	right inner	1			11/03-06/05GRU	primed for painting in color of vehicle			
	11/03-06/059B9	satin black				14	3B0 857 511 G	rear view mirror, inner anti-dazzle		1	
4	1K0 857 577	trim	left lower	1			11/03-06/05Y20	pearl grey	-BH, BK, BM, FA, FH, GT, GU, JF, JH, LM, LP, MX, MY, NC, ND, NM, NQ, QW, QZ, RU, RV, VN, VP, VT, XA, XB, 93, 94, 95		


Model	Year	MG	SG	Illustration	Restrictions	UPD	22:04	11.12.2006		ETKA
PA	2005	8	57	857-42		597	USA			

Pos	Part Number	Name	Remarks	Qty	Model	Pos	Part Number	Name	Remarks	Qty	Model
15	11/03-06/057G8	beige	-BL, GV, JG, LT, MZ, NN, QY, VU, XE	1			11/03-06/05Y20	pearl grey	-BH, BK, BM, FA, FH, GT, GU, JF, JH, LM, LP, MX, MY, NC, ND, NM, NO, QW, QZ, RU, RV, VN, VP, VT, XA, XB, 93, 94, 95		
	3B0 857 511 J	interior rear view mirror, automatic anti-dazzle for vehicles with rain sensor									
	11/03-06/05Y20	pearl grey	-BH, BK, BM, FA, FH, GT, GU, JF, JH, LM, LP, MX, MY, NC, ND, NM, NO, QW, QZ, RU, RV, VN, VP, VT, XA, XB, 93, 94, 95			21	3B0 857 594 A	wiring conduit, upper part for vehicles with rain sensor	-BL, GV, JG, LT, MZ, NN, QY, VU, XE	1	
18	11/03-06/057G8	beige	-BL, GV, JG, LT, MZ, NN, QY, VU, XE	1			11/03-06/05Y20	pearl grey	-BH, BK, BM, FA, FH, GT, GU, JF, JH, LM, LP, MX, MY, NC, ND, NM, NO, QW, QZ, RU, RV, VN, VP, VT, XA, XB, 93, 94, 95		
	3B0 858 547 A	cap for vehicles with rain sensor	left								
	11/03-06/05Y20	pearl grey	-BH, BK, BM, FA, FH, GT, GU, JF, JH, LM, LP, MX, MY, NC, ND, NM, NO, QW, QZ, RU, RV, VN, VP, VT, XA, XB, 93, 94, 95				11/03-06/057G8	beige	-BL, GV, JG, LT, MZ, NN, QY, VU, XE		
19	11/03-06/057G8	beige	-BL, GV, JG, LT, MZ, NN, QY, VU, XE	1							
	3B0 858 548 A	cap for vehicles with rain sensor	right								
	11/03-06/05Y20	pearl grey	-BH, BK, BM, FA, FH, GT, GU, JF, JH, LM, LP, MX, MY, NC, ND, NM, NO, QW, QZ, RU, RV, VN, VP, VT, XA, XB, 93, 94, 95								
20	11/03-06/057G8	beige	-BL, GV, JG, LT, MZ, NN, QY, VU, XE	1							
	3B0 857 591 A	wiring conduit, lower part for vehicles with rain sensor									


Model	Year	MG	SG	Illustration	Restrictions	UPD	22:04	11.12.2006		ETKA
PA	2005	8	57	857-50		597	USA			




Pos	Part Number	Name	Remarks	Qty	Model
(1)	3B0 857 551 S	sun vizors			
		sun vizor with mirror and cover	left	1	"USA"
	05/02-06/052F4	pearl grey	-BJ, FP, FQ, GA, GB, JC, JJ, JL, NG, NJ, RN, RW, TW, TX, TZ, VA, VB, XR, XT, YU, YY, ZA, ZH, ZR, ZT, 53, BH, BK, BM, FA, FH, GT, GU, JF, JH, LM, LP, MX, MY, NC, ND, NM, NQ, QW, QZ, RU, RV, VN, VP, VT, XA, XB		
	05/02-10/033B4	sunshine beige	-GC, JD, NH, TY, VD, XS, YT, ZJ, ZS, 54, BH, BK, BM, FA, FH, GT, GU, JF, JH, LM, LP, MQ, MR, MX, MY, NC, ND, NM, NQ, QW, QZ, RU, RV, VN, VP, VT, XA, XB		
	11/03-06/053V6	beige	-LT, VU, BL, GV		
(1)	3B0 857 551 AP	sunvisor with mirror, cover and control unit with actuator for remote garage door opener	left	1	"USA"
	05/02-06/052F4	pearl grey	-BH, BK, GT, GU, LM, LP, GA, GB, VA, VB, BJ, FP, FQ, JC, JJ, JL, NG, RN, RW, TW, TX, TZ, XR, XT, YU, YY, ZA, ZH, ZR, ZT, NJ, 53		
	06/03-10/033B4	sunshine beige	-GC, VD, JD, NH, TY, XS, YT, ZJ, ZS, 54		
	11/03-06/053V6	beige	-BL, GV, LT, VU		
(1)	3B0 857 551 AK	sun vizor with mirror and cover	left	1	"CDN"

Model	Year	MG	SG	Illustration	Restrictions	UPD	22:04	11.12.2006		ETKA
PA	2005	8	57	857-50		597	USA			


Pos	Part Number	Name	Remarks	Qty	Model	Pos	Part Number	Name	Remarks	Qty	Model
	05/02-06/052F4	pearl grey	-BJ, FP, FQ, GA, GB, JC, JJ, JL, NG, NJ, RN, RW, TW, TX, TZ, VA, VB, XR, XT, YU, YY, ZA, ZH, ZR, ZT, 53, BH, BK, BM, FA, FH, GT, GU, JF, JH, LM, LP, MX, MY, NC, ND, NM, NQ, QW, QZ, RU, RV, VN, VP, VT, XA, XB				10/02-06/032F4	pearl grey	-BJ, FP, FQ, GA, GB, JC, JJ, JL, NG, RN, RW, TW, TX, TZ, VA, VB, XR, XT, YU, YY, ZA, ZH, ZR, ZT, NJ, 53		
	05/02-10/033B4	sunshine beige	-GC, JD, NH, TY, VD, XS, YT, ZJ, ZS, 54, BH, BK, BM, FA, FH, XB, GU, JF, JH, LM, LP, MQ, MR, MX, MY, NC, ND, NM, NQ, QW, QZ, RU, RV, VN, VP, VT, XA,				10/02-06/033B4	sunshine beige	-GC, JD, NH, TY, VD, XS, YT, ZJ, ZS, 54		
	11/03-06/053V6	beige	-BL, GV, LT			(1)	3B0 857 551 AQ	sunvisor with mirror, cover and control unit with actuator for remote garage door opener for vehicles with radio wave garage door opener	left	1	"CDN"
(1)	3B0 857 551 AC	sunvisor with mirror, cover and control unit with actuator for remote garage door opener for vehicles with radio wave garage door opener	left	1	"CDN"	(2)	3B0 857 552 AM	sun vizor with mirror and cover	right	1	"USA"
	05/02-09/022F4	pearl grey	-BJ, FP, FQ, GA, GB, JC, JJ, JL, NG, RN, RW, TW, TX, TZ, VA, VB, XR, XT, YU, YY, ZA, ZH, ZR, ZT, NJ, 53				07/03-06/052F4	pearl grey	-BH, BK, GT, GU, LM, LP, GA, GB, VA, VB		
	05/02-09/023B4	sunshine beige	-GC, JD, NH, TY, VD, XS, YT, ZJ, ZS, 54				07/03-10/033B4	sunshine beige	-GC, VD		
(1)	3B0 857 551 AL	sunvisor with mirror, cover and control unit with actuator for remote garage door opener for vehicles with radio wave garage door opener	left	1	"CDN"	(2)	11/03-06/053V6	beige	-BL, GV, LT, VU		
							3B0 857 552 AH	sun vizor with mirror and cover	right	1	"CDN"
							05/02-06/052F4	pearl grey	-BH, BK, GT, GU, LM, LP, GA, GB, VA, VB, VN, VP, VT		
							07/03-10/033B4	sunshine beige	-GC, JD, NH, TY, VD, XS, YT, ZJ, ZS, 54		
							11/03-06/053V6	beige	-BL, GV, LT, VU		
							3B0 857 552 AH	sun vizor with mirror and cover	right	1	"CDN"
							05/02-06/052F4	pearl grey	-BJ, FP, FQ, GA, GB, JC, JJ, JL, NG, RN, RW, TW, TX, TZ, VA, VB, XR, XT, YU, YY, ZA, ZH, ZR, ZT, NJ, 53, BH, BK, GT, GU, LM, LP		
							05/02-10/033B4	sunshine beige	-GC, JD, NH, TY, VD, XS, YT, ZJ, ZS, 54		

Model	Year	MG	SG	Illustration	Restrictions	UPD	22:04	11.12.2006		ETKA
PA	2005	8	57	857-50		597	USA			


Pos	Part Number	Name	Remarks	Qty	Model	Pos	Part Number	Name	Remarks	Qty	Model
	11/03-06/053V6	beige	-BL, GV, LT				11/03-06/057G8	beige	-BL, GV, JG, LT, MZ, NN, QY, VU, XE		
(2)	3B0 857 552 AJ	sun vizor with mirror and cover AUSZIEHBAR	right	1	"CDN"						
	05/02-06/032F4	pearl grey	-BJ, FP, FQ, GA, GB, JC, JJ, JL, NG, RN, RW, TW, TX, TZ, VA, VB, XR, XT, YU, YY, ZA, ZH, ZR, ZT, NJ, 53			4 + N	013 964 9	tapping screw, fill. hd.	ST4, 2X16-C	6	
	05/02-06/033B4	sunshine beige	-GC, JD, NH, TY, VD, XS, YT, ZJ, ZS, 54			6	3B0 857 563	cap bracket for sun visor		2	
	05/02-06/033B4	sunshine beige	-GC, JD, NH, TY, VD, XS, YT, ZJ, ZS, 54				05/02-06/05Y20	pearl grey	-BJ, FP, FQ, GA, GB, JC, JJ, JL, NG, NJ, RN, RW, TW, TX, TZ, VA, VB, XR, XT, YU, YY, ZA, ZH, ZR, ZT, 53, BH, BK, BM, FA, FH, GT, GU, JF, JH, LM, LP, MX, MY, NC, ND, NM, NQ, QW, QZ, RU, RV, VN, VP, VT, XA, XB, 93, 94, 95, 92, 96		
(2)	3B0 857 552 AN	sun vizor with mirror and cover AUSZIEHBAR	right	1	"CDN"						
	07/03-06/052F4	pearl grey	-BH, BK, GT, GU, LM, LP, GA, GB, VA, VB								
	07/03-10/033B4	sunshine beige	-GC, VD				05/02-10/037H7	sunshine beige	-GC, JD, NH, TY, VD, XS, YT, ZJ, ZS, 54		
	11/03-06/053V6	beige	-BL, GV, LT				11/03-06/057G8	beige	-BL, GV, JG, LT, MZ, NN, QY, VU, XE		
3	895 857 621	cap		2							
	05/02-06/05Y20	pearl grey	-BJ, FP, FQ, GA, GB, JC, JJ, JL, NG, NJ, RN, RW, TW, TX, TZ, VA, VB, XR, XT, YU, YY, ZA, ZH, ZR, ZT, 53, BH, BK, BM, FA, FH, GT, GU, JF, JH, LM, LP, MX, MY, NC, ND, NM, NQ, QW, QZ, RU, RV, VN, VP, VT, XA, XB, 93, 94, 95			(7)	3B0 857 561 B	bracket for sun visor		2	
	05/02-07/0289H	sunshine beige	-GC, JD, NH, TY, VD, XS, YT, ZJ, ZS, 54				05/02-06/05Y20	pearl grey	-BJ, FP, FQ, GA, GB, JC, JJ, JL, NG, NJ, RN, RW, TW, TX, TZ, VA, VB, XR, XT, YU, YY, ZA, ZH, ZR, ZT, 53, BH, BK, BM, FA, FH, GT, GU, JF, JH, LM, LP, MX, MY, NC, ND, NM, NQ, QW, QZ, RU, RV, VN, VP, VT, XA, XB, 93, 94, 95, 92, 96		
	08/02-10/037H7	sunshine beige	-GC, JD, NH, TY, VD, XS, YT, ZJ, ZS, 54				05/02-10/037H7	sunshine beige	-GC, JD, NH, TY, VD, XS, YT, ZJ, ZS, 54		

Model	Year	MG	SG	Illustration	Restrictions	UPD	22:04	11.12.2006		ETKA
PA	2005	8	57	857-50		597	USA			


Pos	Part Number	Name	Remarks	Qty	Model	Pos	Part Number	Name	Remarks	Qty	Model
	11/03-06/057G8	beige	-BL, GV, JG, LT, MZ, NN, QY, VU, XE				05/02-06/05Y20	pearl grey	-BJ, FP, FQ, GA, GB, JC, JJ, JL, NG, NJ, RN, RW, TW, TX, TZ, VA, VB, XR, XT, YU, YY, ZA, ZH, ZR, ZT, 53, BH, BK, BM, FA, FH, GT, GU, JF, JH, LM, LP, MX, MY, NC, ND, NM, NQ, QW, QZ, RU, RV, VN, VP, VT, XA, XB, 93, 94, 95, 92, 96		
(8)	3B0 858 555 D	sun vizor	center	1							
	05/02-06/05Y20	pearl grey	-BJ, FP, FQ, GA, GB, JC, JJ, JL, NG, NJ, RN, RW, TW, TX, TZ, VA, VB, XR, XT, YU, YY, ZA, ZH, ZR, ZT, 53, BH, BK, BM, FA, FH, GT, GU, JF, JH, LM, LP, MX, MY, NC, ND, NM, NQ, QW, QZ, RU, RV, VN, VP, VT, XA, XB, 93, 94, 95, 92, 96				05/02-07/0289H	sunshine beige	-GC, JD, NH, TY, VD, XS, YT, ZJ, ZS, 54		
	05/02-07/0289H	sunshine beige	-GC, JD, NH, TY, VD, XS, YT, ZJ, ZS, 54				08/02-10/037H7	sunshine beige	-GC, JD, NH, TY, VD, XS, YT, ZJ, ZS, 54		
	08/02-10/037H7	sunshine beige	-GC, JD, NH, TY, VD, XS, YT, ZJ, ZS, 54				11/03-06/057G8	beige	-BL, GV, JG, LT, MZ, NN, QY, VU, XE		
	11/03-06/057G8	beige	-BL, GV, JG, LT, MZ, NN, QY, VU, XE			(12)	3B0 857 607 A	grab handle, folding with coat hook	left rear	1	PR-4X0/4X1
	3B0 858 593	bracket for sun visor		1			05/02-06/05Y20	pearl grey	-BJ, FP, FQ, GA, GB, JC, JJ, JL, NG, NJ, RN, RW, TW, TX, TZ, VA, VB, XR, XT, YU, YY, ZA, ZH, ZR, ZT, 53, BH, BK, BM, FA, FH, GT, GU, JF, JH, LM, LP, MX, MY, NC, ND, NM, NQ, QW, QZ, RU, RV, VN, VP, VT, XA, XB, 93, 94, 95, 92, 96		
-	+ N 013 964 9	tapping screw, fill. hd.	ST4,2X16-C	1							
-	N 906 987 01	speed nut	ST4,2X16X12	1							
		grab handle									
11	3B0 857 607	grab handle, folding	front	1			05/02-07/0289H	sunshine beige	-GC, JD, NH, TY, VD, XS, YT, ZJ, ZS, 54		
							08/02-10/037H7	sunshine beige	-GC, JD, NH, TY, VD, XS, YT, ZJ, ZS, 54		

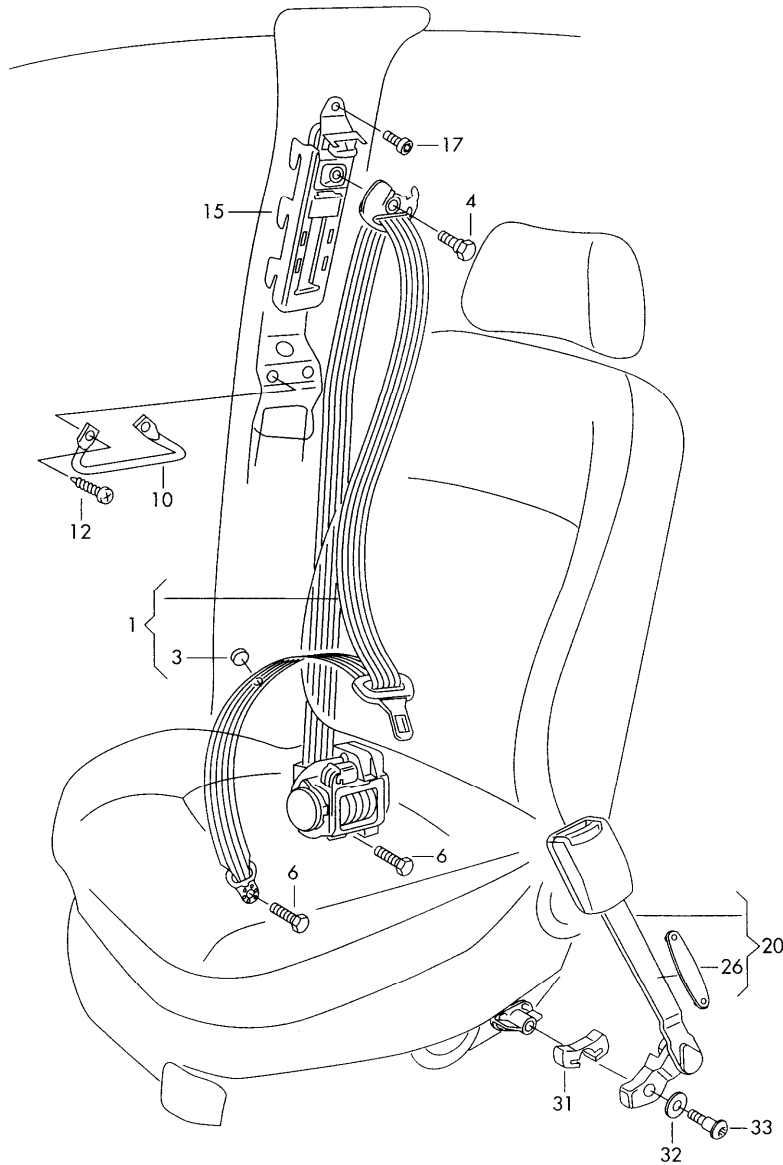
Model	Year	MG	SG	Illustration	Restrictions	UPD	22:04	11.12.2006		ETKA
PA	2005	8	57	857-50		597	USA			

Pos	Part Number	Name	Remarks	Qty	Model	Pos	Part Number	Name	Remarks	Qty	Model
	11/03-06/057G8	beige	-BL, GV, JG, LT, MZ, NN, QY, VU, XE				05/02-07/0289H	sunshine beige	-GC, JD, NH, TY, VD, XS, YT, ZJ, ZS, 54		
(12)	3B0 857 607 C	grab handle, folding with coat hook for vehicles with head airbag	left rear	1	PR-4X3/4X8		08/02-10/037H7	sunshine beige	-GC, JD, NH, TY, VD, XS, YT, ZJ, ZS, 54		
	05/02-06/05Y20	pearl grey	-BJ, FP, FQ, GA, GB, JC, JJ, JL, NG, NJ, RN, RW, TW, TX, TZ, VA, VB, XR, XT, YU, YY, ZA, ZH, ZR, ZT, 53, BH, BK, BM, FA, FH, GT, GU, JF, JH, LM, LP, MX, MY, NC, ND, NM, NQ, QW, QZ, RU, RV, VN, VP, VT, XA, XB, 93, 94, 95, 92, 96			(12)	3B0 857 608 B	grab handle, folding with coat hook for vehicles with head airbag	right rear	1	PR-4X3/4X8
	05/02-07/0289H	sunshine beige	-GC, JD, NH, TY, VD, XS, YT, ZJ, ZS, 54				05/02-06/05Y20	pearl grey	-BJ, FP, FQ, GA, GB, JC, JJ, JL, NG, NJ, RN, RW, TW, TX, TZ, VA, VB, XR, XT, YU, YY, ZA, ZH, ZR, ZT, 53, BH, BK, BM, FA, FH, GT, GU, JF, JH, LM, LP, MX, MY, NC, ND, NM, NQ, QW, QZ, RU, RV, VN, VP, VT, XA, XB, 93, 94, 95, 92, 96		
	08/02-10/037H7	sunshine beige	-GC, JD, NH, TY, VD, XS, YT, ZJ, ZS, 54				05/02-07/0289H	sunshine beige	-GC, JD, NH, TY, VD, XS, YT, ZJ, ZS, 54		
	11/03-06/057G8	beige	-BL, GV, JG, LT, MZ, NN, QY, VU, XE				08/02-10/037H7	sunshine beige	-GC, JD, NH, TY, VD, XS, YT, ZJ, ZS, 54		
12	3B0 857 608	grab handle, folding with coat hook	right rear	1	PR4X0/4X1		11/03-06/057G8	beige	-BL, GV, JG, LT, MZ, NN, QY, VU, XE		
	05/02-06/05Y20	pearl grey	-BJ, FP, FQ, GA, GB, JC, JJ, JL, NG, NJ, RN, RW, TW, TX, TZ, VA, VB, XR, XT, YU, YY, ZA, ZH, ZR, ZT, 53, BH, BK, BM, FA, FH, GT, GU, JF, JH, LM, LP, MX, MY, NC, ND, NM, NQ, QW, QZ, RU, RV, VN, VP, VT, XA, XB, 93, 94, 95, 92, 96			13	+ N 013 972 9	tapping screw, fill. hd.	ST4, 8X25-C	8	
								sunglass holder for service installation see catalogue:	226, MJ01		
						15	3B5 858 687 D	bracket for grab handle for vehicles with glass sliding and tilting roof and head airbag	left front	1	sedan


Model	Year	MG	SG	Illustration	Restrictions	UPD	22:04	11.12.2006		ETKA
PA	2005	8	57	857-50		597	USA			

Pos	Part Number	Name	Remarks	Qty	Model	Pos	Part Number	Name	Remarks	Qty	Model
(15)	3B9 858 687 D	bracket for grab handle for vehicles with glass sliding and tilting roof and head airbag	left front	1	wagon						
(15)	3B5 858 688 D	bracket for grab handle for vehicles with glass sliding and tilting roof and head airbag	right front	1	sedan						
(15)	3B9 858 688 D	bracket for grab handle for vehicles with glass sliding and tilting roof and head airbag	right front	1	wagon						
16	3B5 858 687 E	bracket for grab handle for vehicles with glass sliding and tilting roof and head airbag	left rear	1	sedan						
(16)	3B9 858 687 E	bracket for grab handle for vehicles with glass sliding and tilting roof and head airbag	left rear	1	wagon						
(16)	3B5 858 688 E	bracket for grab handle for vehicles with glass sliding and tilting roof and head airbag	right rear	1	sedan						
(16)	3B9 858 688 E	bracket for grab handle for vehicles with glass sliding and tilting roof and head airbag	right rear	1	wagon						


Model	Year	MG	SG	Illustration	Restrictions	UPD	22:04	11.12.2006		ETKA
PA	2005	8	57	857-60		597	USA			

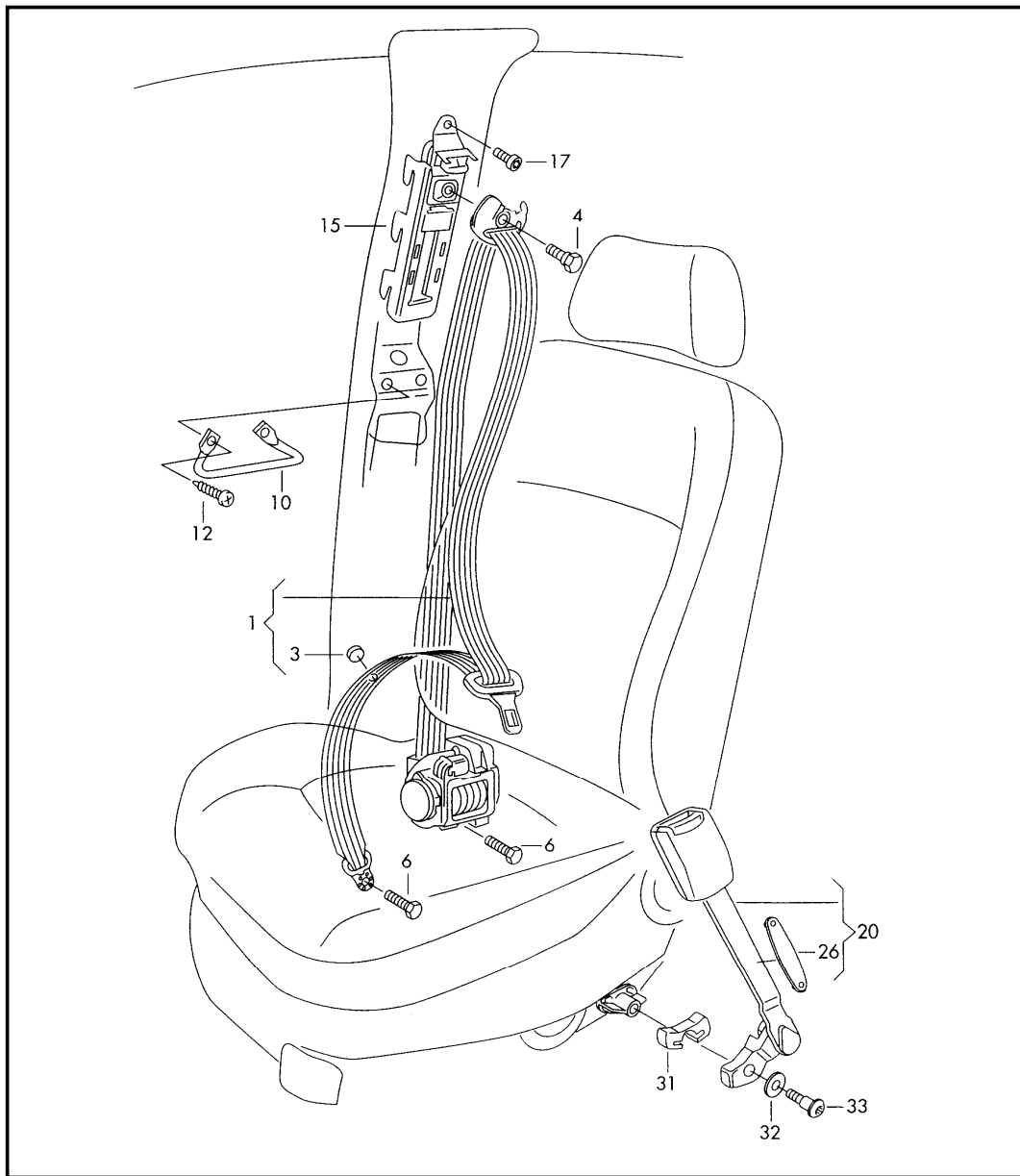


Pos	Part Number	Name	Remarks	Qty	Model
		three-point seat belt F >> 3B-4-160 000*	front		
-	1J0 857 722	seat belt extension		1	
	05/02-10/03FCN	satin black/fire red			
(1)	3B1 857 705 E	three-point inertia reel seat belt with belt tensioner and belt pressure limiter ** caution dangerous cargo **	left lhd	1	
	05/02-05/03HCP	black	-GA, TW, VA, YY, TZ, YU		
	05/02-05/03HCQ	flannel grey	-GB, TX, VB		
	05/02-05/03PNA	sunshine beige	-GC, TY, VD, YT		
	06/03-10/03HCP	black	-GA, TW, VA, YY, TZ, YU, GB, TX, VB		
	06/03-10/03RLS	sunshine beige	-GC, TY, VD, YT		
(1)	3B1 857 706 E	three-point inertia reel seat belt with belt tensioner and belt pressure limiter ** caution dangerous cargo **	right lhd	1	
	05/02-05/03HCP	black	-GA, TW, VA, YY, TZ, YU		
	05/02-05/03HCQ	flannel grey	-GB, TX, VB		
	05/02-05/03PNA	sunshine beige	-GC, TY, VD, YT		
	06/03-10/03HCP	black	-GA, TW, VA, YY, TZ, YU, GB, TX, VB		
	06/03-10/03RLS	sunshine beige	-GC, TY, VD, YT		
3	443 857 847 B	button		X	
	05/02-05/03E59	platinum	-FQ, GB, JC, RN, TX, VB, ZH, NJ		
	05/02-05/034PK	sabre (black)	-BJ, FP, GA, JJ, JL, NG, RW, TW, TZ, VA, XR, XT, YU, YY, ZA, ZR, ZT, 53		


Model	Year	MG	SG	Illustration	Restrictions	UPD	22:04	11.12.2006		ETKA
PA	2005	8	57	857-60		597	USA			

Pos	Part Number	Name	Remarks	Qty	Model	Pos	Part Number	Name	Remarks	Qty	Model
	06/03-10/034PK	sabre (black)	-BJ, FP, FQ, GA, GB, JC, JJ, JL, NG, NJ, RN, RW, TW, TX, TZ, VA, VB, XR, XT, YU, YY, ZA, ZH, ZR, ZT, 53			33		fitted bolt, self-locking see illustration:	881-00	2	
	05/02-10/0389H	sunshine beige	-GC, JD, NH, TY, VD, XS, YT, ZJ, ZS, 54								
4	3B0 857 846	fitted bolt	7/16"	2							
(6)	3B0 857 799	screw, hex. hd.	7/16"-20UNFX20	4							
10	3B0 857 817	belt guide		1							
12	+ N 013 968 1	tapping screw, fill. hd.	ST4, 8X13-C	4							
(15)	3B0 857 819 E	adjusting mechanism		2							
17	+ N 014 739 2	bolt, with hex. socket hd.	M8X16	2							
(20)	3B0 858 471 K	press button buckle with warning contact	left	1							
	05/02-05/03FCN	satin black/fire red	-GA, TW, VA, YY, TZ, YU								
	05/02-05/03FCP	flannel grey/fire red	-GB, TX, VB								
	05/02-05/03PNE	sunshine beige/fire red	-GC, TY, VD, YT								
	06/03-10/03FCN	satin black/fire red									
(20)	3B0 858 472 K	press button buckle	right	1							
	05/02-05/03FCN	satin black/fire red	-GA, TW, VA, YY, TZ, YU								
	05/02-05/03FCP	flannel grey/fire red	-GB, TX, VB								
	05/02-05/03LSV	sunshine beige/fire red	-GC, TY, VD, YT								
	06/03-10/03FCN	satin black/fire red									
26	3B0 858 475	guide piece		2							
31		buffer		2							
		see illustration:	881-00								
32		spring washer		2							
		see illustration:	881-00								


Model	Year	MG	SG	Illustration	Restrictions	UPD	22:05	11.12.2006		ETKA
PA	2005	8	57	857-62		597	USA			

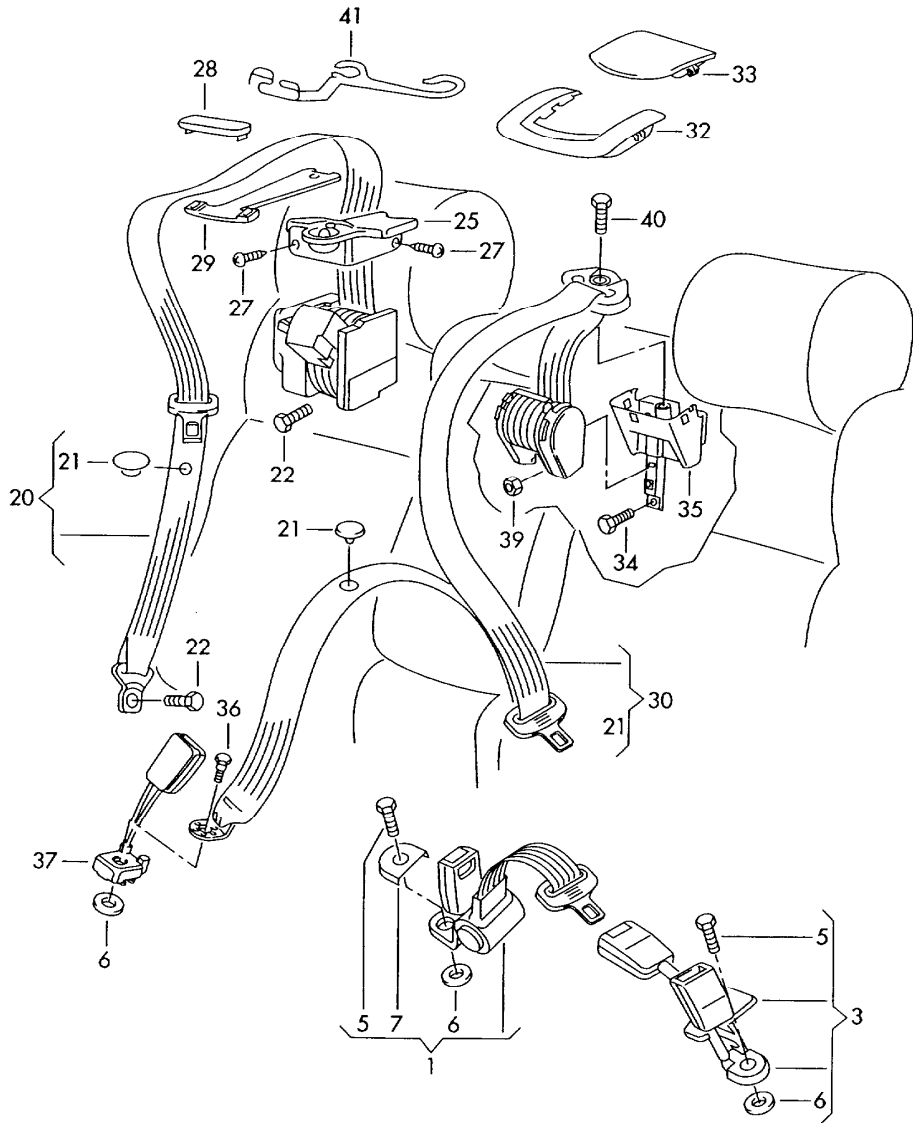


Pos	Part Number	Name	Remarks	Qty	Model
-	1J0 857 722	three-point seat belt F 3B-4-160 001>>*	front		
	11/03-06/05FCN	seat belt extension satin black/fire red		1	
1	3B1 857 705 E	three-point inertia reel seat belt with belt tensioner and belt pressure limiter ** caution dangerous cargo **	left	1	
	11/03-06/05HCP	black	-BH, BK, BM, FA, FH, GT, GU, JF, JH, LM, LP, MX, MY, NC, ND, NM, NQ, QW, QZ, RU, RV, VN, VP, VT, XA, XB		
	11/03-06/05SGJ	beige	-BL, GV, JG, LT, MZ, NN, QY, VU, XE		
(1)	3B1 857 706 E	three-point inertia reel seat belt with belt tensioner and belt pressure limiter ** caution dangerous cargo **	right	1	
	11/03-06/05HCP	black	-BH, BK, BM, FA, FH, GT, GU, JF, JH, LM, LP, MX, MY, NC, ND, NM, NQ, QW, QZ, RU, RV, VN, VP, VT, XA, XB		
	11/03-06/05SGJ	beige	-BL, GV, JG, LT, MZ, NN, QY, VU, XE		
3	443 857 847 B	button	16MM	1	
	11/03-06/054PK	sabre (black)	-BH, BK, BM, FA, FH, GT, GU, JF, JH, LM, LP, MX, MY, NC, ND, NM, NQ, QW, QZ, RU, RV, VN, VP, VT, XA, XB, 93, 94,		
	11/03-06/057G8	beige	-BL, GV, JG, LT, MZ, NN, QY, VU, XE		
4	3B0 857 846	fitted bolt	7/16"	2	


Model	Year	MG	SG	Illustration	Restrictions	UPD	22:05	11.12.2006		ETKA
PA	2005	8	57	857-62		597	USA			

Pos	Part Number	Name	Remarks	Qty	Model	Pos	Part Number	Name	Remarks	Qty	Model
6	3B0 857 799	screw, hex. hd.	7/16"-20UNFX20	1							
10	3B0 857 817	belt guide		2							
12	+ N 013 968 1	tapping screw, fill. hd.	ST4,8X13-C	4							
15	3B0 857 819 E	adjusting mechanism		2							
17	+ N 014 739 2	bolt, with hex. socket hd.	M8X16	2							
20	3B0 858 471 K	press button buckle with warning contact	left	1							
	11/03-06/05FCN	satin black/fire red									
(20)	3B0 858 472 K	press button buckle	right	1							
	11/03-06/05FCN	satin black/fire red									
26	3B0 858 475	guide piece		2							
31		buffer		2							
		see illustration:	881-00								
32		spring washer		2							
		see illustration:	881-00								
33		fitted bolt, self-locking		2							
		see illustration:	881-00								


Model	Year	MG	SG	Illustration	Restrictions	UPD	22:05	11.12.2006		ETKA
PA	2005	8	57	857-70		597	USA			




Pos	Part Number	Name	Remarks	Qty	Model
		three-point seat belt lap belt F >> 3B-4-160 000*	rear rear center		
1	3B0 857 703 C	lap belt with inertia reel and press button buckle	center	1	
	05/02-05/03HCP	black	-GA, TW, VA, YY, TZ, YU		
	05/02-05/03HCQ	flannel grey	-GB, TX, VB		
	05/02-05/03LSX	sunshine beige	-GC, TY, VD, YT		
	06/03-10/03HCP	black	-GA, TW, VA, YY, TZ, YU, GB, TX, VB		
	06/03-10/03RLS	sunshine beige	-GC, TY, VD, YT		
(3)	3B0 857 739 C	double press button buckle		1	
	05/02-05/03FCN	satin black/fire red	-GA, TW, VA, YY, TZ, YU		
	05/02-05/03FCP	flannel grey/fire red	-GB, TX, VB		
	05/02-05/03LSV	sunshine beige/fire red	-GC, TY, VD, YT		
	06/03-10/03FCN	satin black/fire red			
5	N 989 901 01	screw, hex. hd.		2	
6	803 019 813	sealing washer		3	
(20)	3B5 857 805 D	three-point inertia reel seat belt with belt tensioner and belt pressure limiter ** caution dangerous cargo **	left	1	sedan
	05/02-05/03HCP	black	-BJ, FP, GA, JJ, JL, NG, RW, TW, TZ, VA, XR, XT, YU, YY, ZA, ZR, ZT, 53		
	05/02-05/03HCQ	flannel grey	-FQ, GB, JC, RN, TX, VB, ZH, NJ		
	05/02-05/03LSX	sunshine beige	-GC, JD, NH, TY, VD, XS, YT, ZJ, ZS, 54		

Model	Year	MG	SG	Illustration	Restrictions	UPD	22:05	11.12.2006		ETKA
PA	2005	8	57	857-70		597	USA			


Pos	Part Number	Name	Remarks	Qty	Model	Pos	Part Number	Name	Remarks	Qty	Model
	06/03-10/03HCP	black	-BJ, FP, FQ, GA, GB, JC, JJ, JL, NG, NJ, RN, RW, TW, TX, TZ, VA, VB, XR, XT, YU, YY, ZA, ZH, ZR, ZT, 53				05/02-05/03LSX	sunshine beige	-GC, JD, NH, TY, VD, XS, YT, ZJ, ZS, 54		
	06/03-10/03RLS	sunshine beige	-GC, JD, NH, TY, VD, XS, YT, ZJ, ZS, 54				06/03-10/03HCP	black	-BJ, FP, FQ, GA, GB, JC, JJ, JL, NG, NJ, RN, RW, TW, TX, TZ, VA, VB, XR, XT, YU, YY, ZA, ZH, ZR, ZT, 53		
20	3B5 857 806 D	three-point inertia reel seat belt with belt tensioner and belt pressure limiter ** caution dangerous cargo **	right	1	sedan		06/03-10/03RLS	sunshine beige	-GC, JD, NH, TY, VD, XS, YT, ZJ, ZS, 54		
	05/02-05/03HCP	black	-BJ, FP, GA, JJ, JL, NG, RW, TW, TZ, VA, XR, XT, YU, YY, ZA, ZR, ZT, 53			(20)	3B9 857 806 D	three-point inertia reel seat belt with belt tensioner and belt pressure limiter ** caution dangerous cargo **	right	1	wagon
	05/02-05/03HCQ	flannel grey	-FQ, GB, JC, RN, TX, VB, ZH, NJ				05/02-05/03HCP	black	-BJ, FP, GA, JJ, JL, NG, RW, TW, TZ, VA, XR, XT, YU, YY, ZA, ZR, ZT, 53		
	05/02-05/03LSX	sunshine beige	-GC, JD, NH, TY, VD, XS, YT, ZJ, ZS, 54				05/02-05/03HCQ	flannel grey	-FQ, GB, JC, RN, TX, VB, ZH, NJ		
	06/03-10/03HCP	black	-BJ, FP, FQ, GA, GB, JC, JJ, JL, NG, NJ, RN, RW, TW, TX, TZ, VA, VB, XR, XT, YU, YY, ZA, ZH, ZR, ZT, 53				05/02-05/03LSX	sunshine beige	-GC, JD, NH, TY, VD, XS, YT, ZJ, ZS, 54		
	06/03-10/03RLS	sunshine beige	-GC, JD, NH, TY, VD, XS, YT, ZJ, ZS, 54				06/03-10/03HCP	black	-BJ, FP, FQ, GA, GB, JC, JJ, JL, NG, NJ, RN, RW, TW, TX, TZ, VA, VB, XR, XT, YU, YY, ZA, ZH, ZR, ZT, 53		
(20)	3B9 857 805 D	three-point inertia reel seat belt with belt tensioner and belt pressure limiter ** caution dangerous cargo **	left	1	wagon		06/03-10/03RLS	sunshine beige	-GC, JD, NH, TY, VD, XS, YT, ZJ, ZS, 54		
	05/02-05/03HCP	black	-BJ, FP, GA, JJ, JL, NG, RW, TW, TZ, VA, XR, XT, YU, YY, ZA, ZR, ZT, 53			21	443 857 847 B	button		X	
	05/02-05/03HCQ	flannel grey	-FQ, GB, JC, RN, TX, VB, ZH, NJ				05/02-05/03E59	platinum	-FQ, GB, JC, RN, TX, VB, ZH, NJ		
							05/02-05/034PK	sabre (black)	-BJ, FP, GA, JJ, JL, NG, RW, TW, TZ, VA, XR, XT, YU, YY, ZA, ZR, ZT, 53		

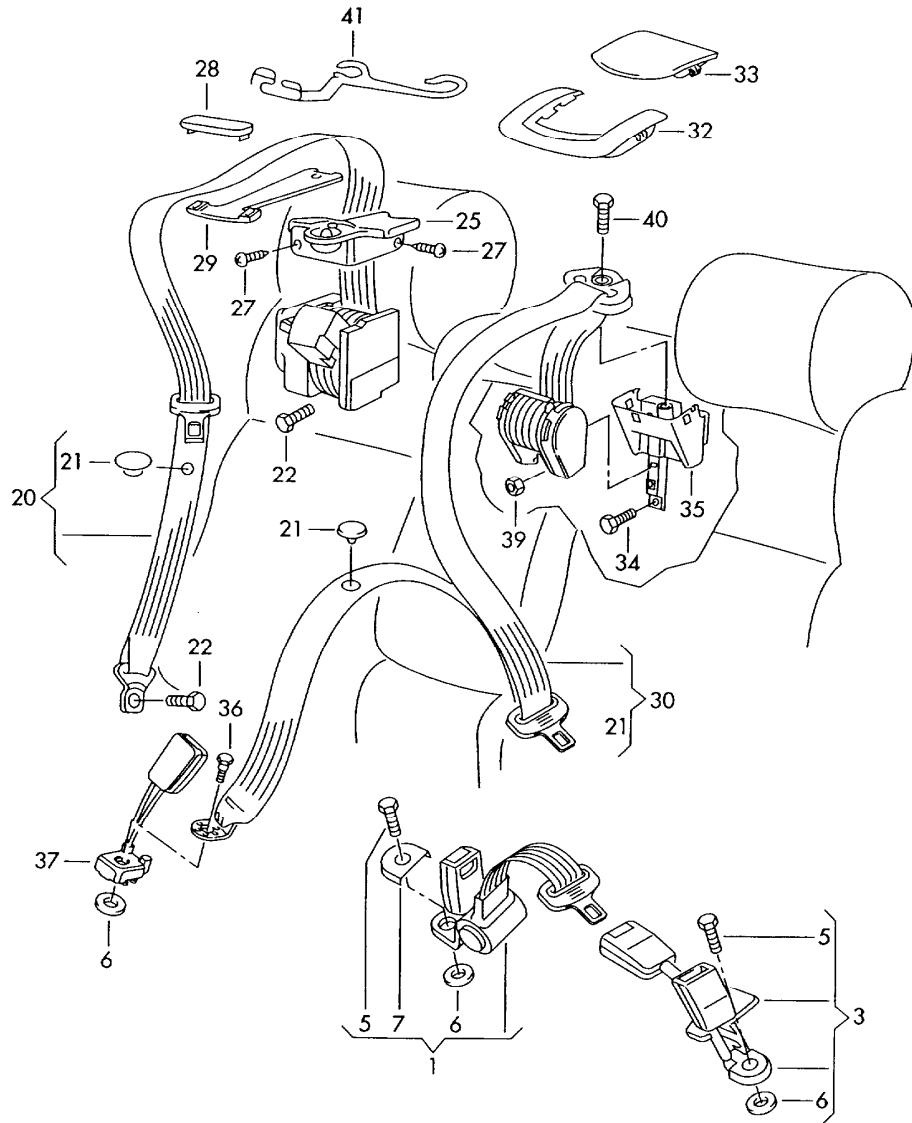
Model	Year	MG	SG	Illustration	Restrictions	UPD	22:05	11.12.2006		ETKA
PA	2005	8	57	857-70		597	USA			

Pos	Part Number	Name	Remarks	Qty	Model	Pos	Part Number	Name	Remarks	Qty	Model
	06/03-10/034PK	sabre (black)	-BJ, FP, FQ, GA, GB, JC, JJ, JL, NG, NJ, RN, RW, TW, TX, TZ, VA, VB, XR, XT, YU, YY, ZA, ZH, ZR, ZT, 53				06/03-10/037H7	sunshine beige	-GC, JD, NH, TY, VD, XS, YT, ZJ, ZS, 54		
	05/02-10/0389H	sunshine beige	-GC, JD, NH, TY, VD, XS, YT, ZJ, ZS, 54			30	3B0 857 807 A	three-point seat belt	center	1	
							05/02-05/03HCP	black	-BJ, FP, GA, JJ, JL, NG, RW, TW, TZ, VA, XR, XT, YU, YY, ZA, ZR, ZT, 53		
(22)	3B0 857 799	screw, hex. hd.	7/16"-20UNFX20	X			05/02-05/03HCQ	flannel grey	-FQ, GB, JC, RN, TX, VB, ZH, NJ		
(25)	3B0 857 761 A	belt guide	left	1			05/02-05/03LSX	sunshine beige	-GC, JD, NH, TY, VD, XS, YT, ZJ, ZS, 54		
25	3B0 857 762 A	belt guide	right	1							
27	+ N 013 968 1	tapping screw, fill. hd.	ST4,8X13-C	4			06/03-10/03HCP	black	-BJ, FP, FQ, GA, GB, JC, JJ, JL, NG, NJ, RN, RW, TW, TX, TZ, VA, VB, XR, XT, YU, YY, ZA, ZH, ZR, ZT, 53		
28	3B0 857 763	cover outrigger		2							
	05/02-10/03B41	satin black	-BJ, FP, GA, JJ, JL, NG, RW, TW, TZ, VA, XR, XT, YU, YY, ZA, ZR, ZT, 53				06/03-10/03RLS	sunshine beige	-GC, JD, NH, TY, VD, XS, YT, ZJ, ZS, 54		
	05/02-10/03U71	flannel grey	-FQ, GB, JC, RN, TX, VB, ZH, NJ			32	3B0 857 781 B	trim	center	1	
	05/02-05/0389H	sunshine beige	-GC, JD, NH, TY, VD, XS, YT, ZJ, ZS, 54				05/02-10/03B41	satin black	-BJ, FP, GA, JJ, JL, NG, RW, TW, VA, XR, YY, ZA, ZR, 53		
	06/03-10/037H7	sunshine beige	-GC, JD, NH, TY, VD, XS, YT, ZJ, ZS, 54				05/02-10/03U71	flannel grey	-FQ, GB, JC, RN, TX, VB, ZH, NJ		
29	3B0 857 765	outrigger belt guide		2			05/02-10/0392F	petrol (green)	-TZ, XT, YU, ZT		
	05/02-10/03B41	satin black	-BJ, FP, GA, JJ, JL, NG, RW, TW, TZ, VA, XR, XT, YU, YY, ZA, ZR, ZT, 53				05/02-05/0389H	sunshine beige	-GC, JD, NH, TY, VD, XS, YT, ZJ, ZS, 54		
	05/02-10/03U71	flannel grey	-FQ, GB, JC, RN, TX, VB, ZH, NJ				06/03-10/037H7	sunshine beige	-GC, JD, NH, TY, VD, XS, YT, ZJ, ZS, 54		
	05/02-05/0389H	sunshine beige	-GC, JD, NH, TY, VD, XS, YT, ZJ, ZS, 54			33	3B0 857 785 A	cover plate	center	1	
							05/02-10/03B41	satin black	-BJ, FP, GA, JJ, JL, NG, RW, TW, VA, XR, YY, ZA, ZR, 53		


Model	Year	MG	SG	Illustration	Restrictions	UPD	22:05	11.12.2006		ETKA
PA	2005	8	57	857-70		597	USA			

Pos	Part Number	Name	Remarks	Qty	Model	Pos	Part Number	Name	Remarks	Qty	Model
	05/02-10/03U71	flannel grey	-FQ, GB, JC, RN, TX, VB, ZH, NJ								
	05/02-10/0392F	petrol (green)	-TZ, XT, YU, ZT								
	05/02-05/0389H	sunshine beige	-GC, JD, NH, TY, VD, XS, YT, ZJ, ZS, 54								
	06/03-10/037H7	sunshine beige	-GC, JD, NH, TY, VD, XS, YT, ZJ, ZS, 54								
(34)	3B0 857 799	screw, hex. hd.	7/16"-20UNFX20	3							
35	3B0 857 863 A	mounting		1							
36	N 989 097 01	screw, hex. hd.	7/16"-20UNFX40	1							
(37)	3B0 857 740 D	press button buckle	right	1							
	05/02-05/03FCN	satin black/fire red	-GA, TW, VA, YY, TZ, YU								
	05/02-05/03FCP	flannel grey/fire red	-GB, TX, VB								
	05/02-05/03LSV	sunshine beige/fire red	-GC, TY, VD, YT								
	06/03-10/03FCN	satin black/fire red									
(39)	3B0 857 799	screw, hex. hd.		1							
39	481 857 732	hex. nut		1	"CND"						
40	N 989 103 01	fitted bolt	7/16"-20UNFX	1							


Model	Year	MG	SG	Illustration	Restrictions	UPD	22:06	11.12.2006		ETKA
PA	2005	8	57	857-72		597	USA			




Pos	Part Number	Name	Remarks	Qty	Model
		three-point seat belt lap belt F 3B-4-160 001>>*	rear rear center		
1	3B0 857 703 C	lap belt with inertia reel and press button buckle	center	1	
	11/03-06/05HCP	black	-BH, BK, BM, FA, FH, GT, GU, JF, JH, LM, LP, MX, MY, NC, ND, NM, NO, QW, QZ, RU, RV, VN, VP, VT, XA, XB, 93, 94, 95		
	11/03-06/05SGJ	beige	-BL, GV, JG, LT, MZ, NN, QY, VU, XE		
(3)	3B0 857 739 C	double press button buckle		1	
	11/03-06/05FCN	satin black/fire red			
5	N 989 901 01	screw, hex. hd.		2	
6	803 019 813	sealing washer		3	
(20)	3B5 857 805 D	three-point inertia reel seat belt with belt tensioner and belt pressure limiter ** caution dangerous cargo **	left	1	sedan
	11/03-06/05HCP	black	-BH, BK, BM, FA, FH, GT, GU, JF, JH, LM, LP, MX, MY, NC, ND, NM, NO, QW, QZ, RU, RV, VN, VP, VT, XA, XB, 93, 94, 95		
	11/03-06/05SGJ	beige	-BL, GV, JG, LT, MZ, NN, QY, VU, XE		
20	3B5 857 806 D	three-point inertia reel seat belt with belt tensioner and belt pressure limiter ** caution dangerous cargo **	right	1	sedan

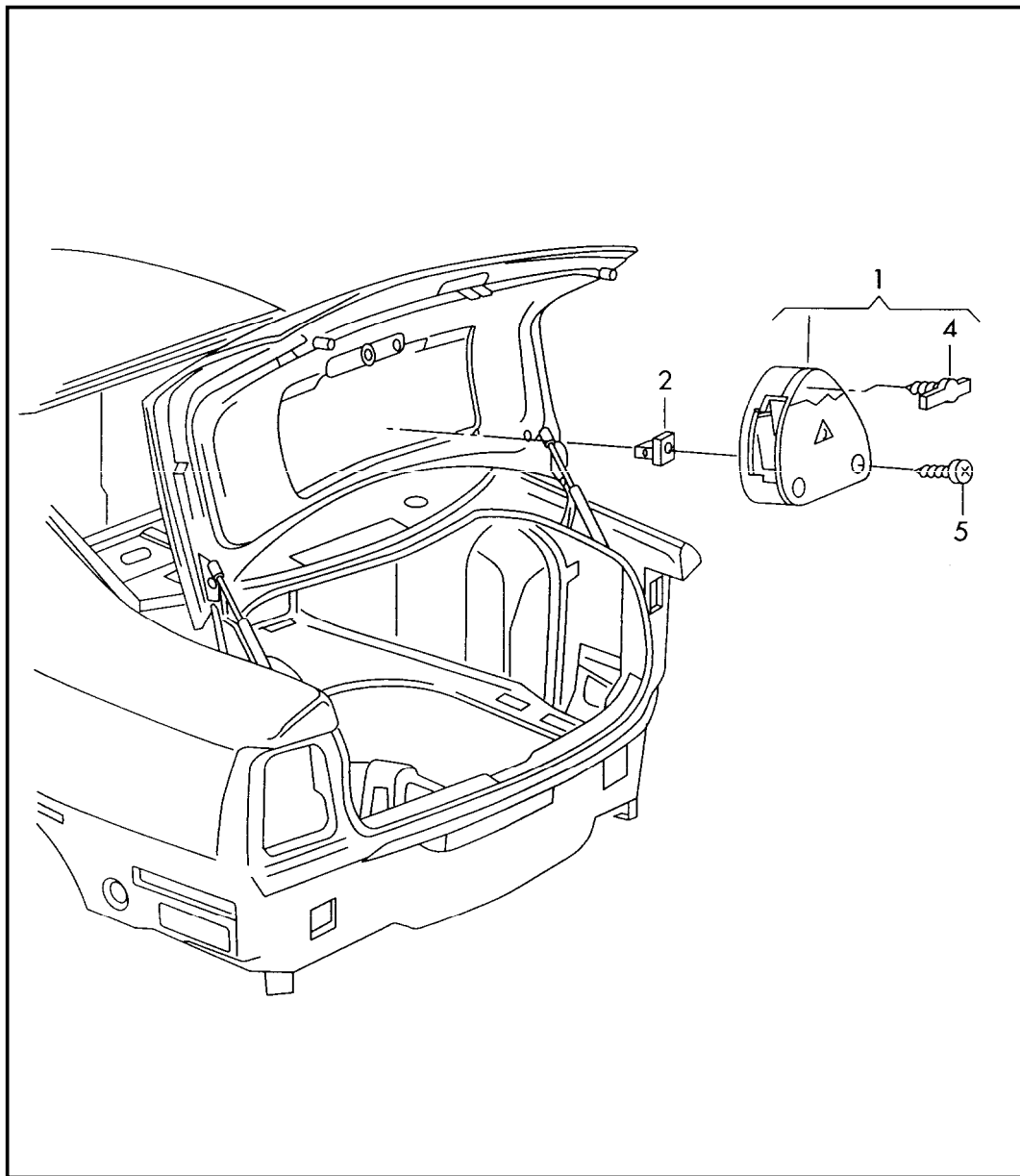
Model	Year	MG	SG	Illustration	Restrictions	UPD	22:06	11.12.2006		ETKA
PA	2005	8	57	857-72		597	USA			

Pos	Part Number	Name	Remarks	Qty	Model	Pos	Part Number	Name	Remarks	Qty	Model
	11/03-06/05HCP	black	-BH, BK, BM, FA, FH, GT, GU, JF, JH, LM, LP, MX, MY, NC, ND, NM, NQ, QW, QZ, RU, RV, VN, VP, VT, XA, XB, 93, 94, 95				11/03-06/054PK	sabre (black)	-BH, BK, BM, FA, FH, GT, GU, JF, JH, LM, LP, MX, MY, NC, ND, NM, NQ, QW, QZ, RU, RV, VN, VP, VT, XA, XB, 93, 94, 95		
	11/03-06/05SGJ	beige	-BL, GV, JG, LT, MZ, NN, QY, VU, XE				11/03-06/057G8	beige	-BL, GV, JG, LT, MZ, NN, QY, VU, XE		
(20)	3B9 857 805 D	three-point inertia reel seat belt with belt tensioner and belt pressure limiter ** caution dangerous cargo **	left	1	wagon	(22)	3B0 857 799	screw, hex. hd.	7/16"-20UNFX20	X	
	11/03-06/05HCP	black	-BH, BK, BM, FA, FH, GT, GU, JF, JH, LM, LP, MX, MY, NC, ND, NM, NQ, QW, QZ, RU, RV, VN, VP, VT, XA, XB, 93, 94, 95			(25)	3B0 857 761 A	belt guide	left	1	
	11/03-06/05SGJ	beige	-BL, GV, JG, LT, MZ, NN, QY, VU, XE			25	3B0 857 762 A	belt guide	right	1	
(20)	3B9 857 806 D	three-point inertia reel seat belt with belt tensioner and belt pressure limiter ** caution dangerous cargo **	right	1	wagon	27 +	N 013 968 1	tapping screw, fill. hd.	ST4, 8X13-C	4	
	11/03-06/05HCP	black	-BH, BK, BM, FA, FH, GT, GU, JF, JH, LM, LP, MX, MY, NC, ND, NM, NQ, QW, QZ, RU, RV, VN, VP, VT, XA, XB, 93, 94, 95			28	3B0 857 763	cover outrigger		2	
	11/03-06/05SGJ	beige	-BL, GV, JG, LT, MZ, NN, QY, VU, XE				11/03-06/05B41	satin black	-BH, BK, BM, FA, FH, GT, GU, JF, JH, LM, LP, MX, MY, NC, ND, NM, NQ, QW, QZ, RU, RV, VN, VP, VT, XA, XB, 93, 94, 95		
	11/03-06/05HCP	black	-BH, BK, BM, FA, FH, GT, GU, JF, JH, LM, LP, MX, MY, NC, ND, NM, NQ, QW, QZ, RU, RV, VN, VP, VT, XA, XB, 93, 94, 95			29	3B0 857 765	outrigger belt guide	-BL, GV, JG, LT, MZ, NN, QY, VU, XE	2	
	11/03-06/05SGJ	beige	-BL, GV, JG, LT, MZ, NN, QY, VU, XE				11/03-06/05B41	satin black	-BH, BK, BM, FA, FH, GT, GU, JF, JH, LM, LP, MX, MY, NC, ND, NM, NQ, QW, QZ, RU, RV, VN, VP, VT, XA, XB, 93, 94, 95		
21	443 857 847 B	button		X			11/03-06/057G8	beige	-BL, GV, JG, LT, MZ, NN, QY, VU, XE		
						30	3B0 857 807 A	three-point seat belt	center	1	


Model	Year	MG	SG	Illustration	Restrictions	UPD	22:06	11.12.2006		ETKA
PA	2005	8	57	857-72		597	USA			

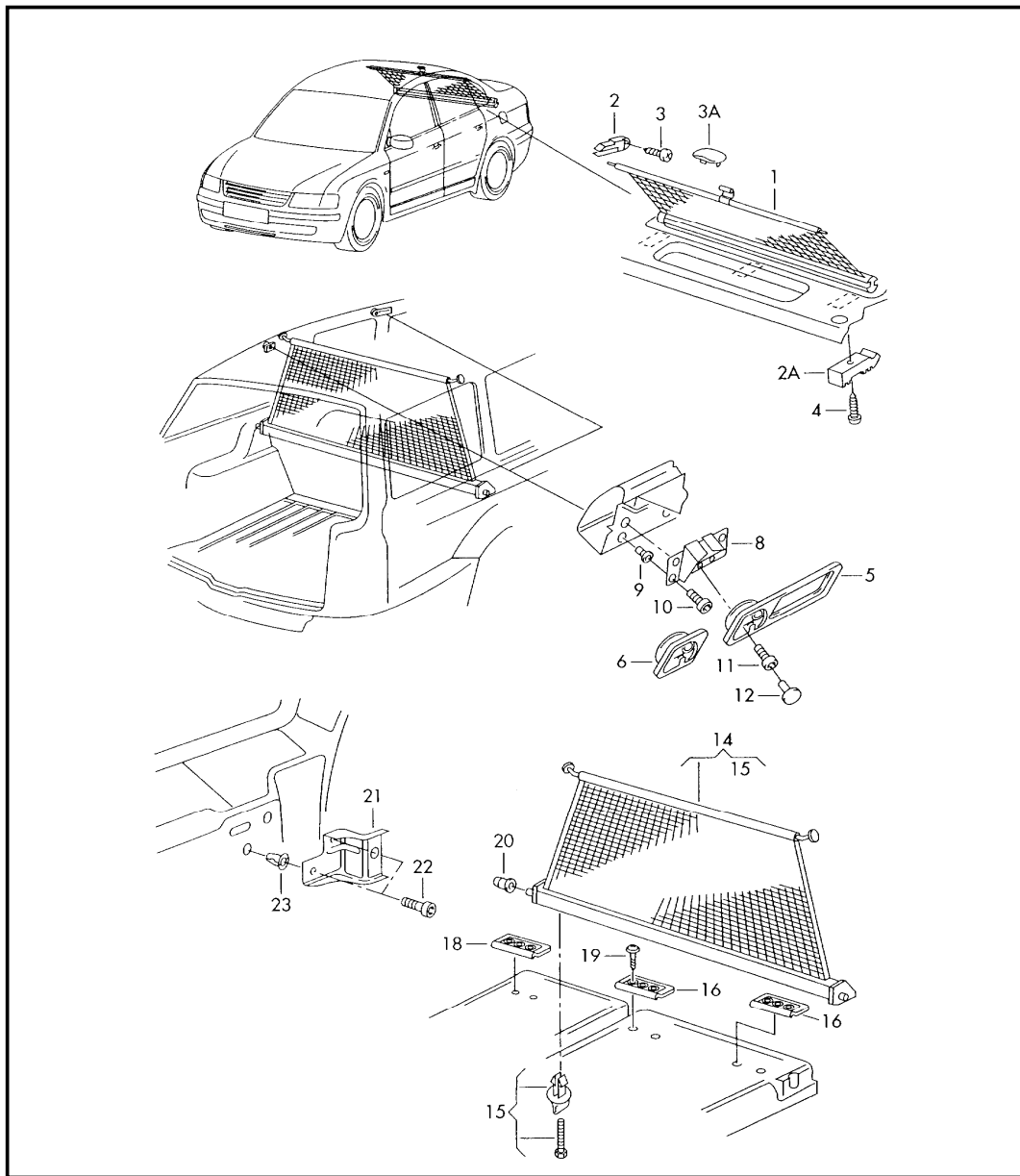
Pos	Part Number	Name	Remarks	Qty	Model	Pos	Part Number	Name	Remarks	Qty	Model
	11/03-06/05HCP	black	-BH, BK, BM, FA, FH, GT, GU, JF, JH, LM, LP, MX, MY, NC, ND, NM, NQ, QW, QZ, RU, RV, VN, VP, VT, XA, XB, 93, 94, 95			(39)	3B0 857 799	screw, hex. hd.		1	
						39	481 857 732	hex. nut		1	"CND"
						40	N 989 103 01	fitted bolt	7/16"-20UNFX	1	
	11/03-06/05SGJ	beige	-BL, GV, JG, LT, MZ, NN, QY, VU, XE								
32	3B0 857 781 B	trim	center	1							
	11/03-06/05U71	flannel grey	-BK, FH, GU, LP, MY, ND, RV, VP, XB								
	11/03-06/057G8	beige	-BL, GV, JG, LT, MZ, NN, QY, VU, XE								
	11/03-06/0571N	anthracite	-BH, BM, FA, GT, JF, LM, MX, NC, NM, QW, RU, VN, VT, XA, 93, 95								
	11/03-06/0592F	petrol (green)	-JH, NQ, QZ, 94								
33	3B0 857 785 A	cover plate	center	1							
	11/03-06/05U71	flannel grey	-BK, FH, GU, LP, MY, ND, RV, VP, XB								
	11/03-06/057G8	beige	-BL, GV, JG, LT, MZ, NN, QY, VU, XE								
	11/03-06/0571N	anthracite	-BH, BM, FA, GT, JF, LM, MX, NC, NM, QW, RU, VN, VT, XA, 93, 95								
	11/03-06/0592F	petrol (green)	-JH, NQ, QZ, 94								
(34)	3B0 857 799	screw, hex. hd.	7/16"-20UNFX20	3							
35	3B0 857 863 A	mounting		1							
36	N 989 097 01	screw, hex. hd.	7/16"-20UNFX40	1							
(37)	3B0 857 740 D	press button buckle	right	1							
	11/03-06/05FCN	satin black/fire red									

Model	Year	MG	SG	Illustration	Restrictions	UPD	22:06	11.12.2006		ETKA
PA	2005	8	60	860-00		597	USA			




Pos	Part Number	Name	Remarks	Qty	Model
		bracket for warning triangle			sedan
(1)	3B5 860 285 B	mounting		1	
	05/02-06/05B41	satin black	only for:		
			4B5 860 251 B		
-	4B5 860 251 C	warning triangle		1	
2 +	811 807 577 C	speed nut		2	
4	4A5 860 333	wing screw		1	
5	N 907 397 01	tapping screw	5X22-Q	2	
		bag for carrier bars, limiting bars ** see accessories catalog **			wagon


Model	Year	MG	SG	Illustration	Restrictions	UPD	22:06	11.12.2006		ETKA
PA	2005	8	61	861-00		597	USA			

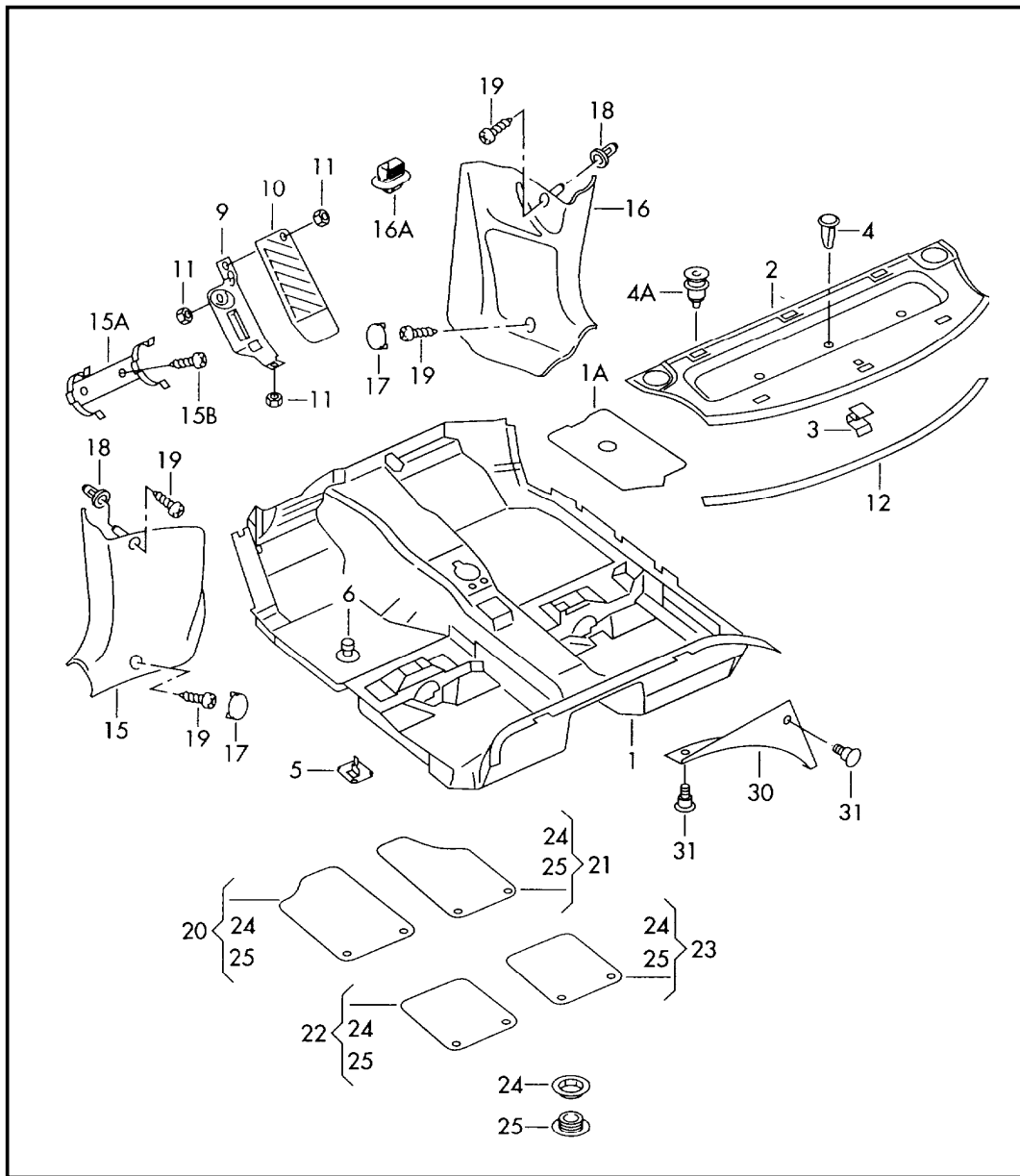


Pos	Part Number	Name	Remarks	Qty	Model
(1)	3B5 861 325 B	roller blind		1	sedan
	05/02-10/03B41	roller blind for rear window			
		satin black	-BJ, FP, GA, JJ, JL, NG, RW, TW, VA, XR, YY, ZA, ZR, 53		
	11/03-06/0571N	anthracite	-BH, BM, FA, GT, JF, LM, MX, NC, NM, QW, RU, VN, VT, XA		
	05/02-06/05U71	flannel grey	-FQ, GB, JC, RN, TX, VB, ZH, NJ, BK, FH, GU, LP, MY, ND, RV, VP, XB		
	05/02-07/0289H	sunshine beige	-GC, JD, NH, TY, VD, XS, YT, ZJ, ZS, 54		
(1)	08/02-10/037H7	sunshine beige	-GC, JD, NH, TY, VD, XS, YT, ZJ, ZS, 54	1	
	11/03-06/057G8	beige	-BL, GV, JG, LT, MZ, NN, QY, VU, XE		
	3B5 861 327 E	hook	left		
(2)	05/02-06/05Y20	hook	left	1	
		pearl grey	-BJ, FP, FQ, GA, GB, JC, JJ, JL, NG, RN, RW, TW, TX, TZ, VA, VB, XR, XT, YU, YY, ZA, ZH, ZR, ZT, NJ, 53, BH, BK, GT, GU, LM, LP		
	05/02-10/037H7	sunshine beige	-GC, VD, JD, NH, TY, XS, YT, ZJ, ZS, 54		
(2)	11/03-06/057G8	beige	-BL, GV, LT	1	
	3B5 861 328 E	hook	right		


Model	Year	MG	SG	Illustration	Restrictions	UPD	22:06	11.12.2006		ETKA
PA	2005	8	61	861-00		597	USA			

Pos	Part Number	Name	Remarks	Qty	Model	Pos	Part Number	Name	Remarks	Qty	Model
	05/02-06/05Y20	pearl grey	-BJ, FP, FQ, GA, GB, JC, JJ, JL, NG, RN, RW, TW, TX, TZ, VA, VB, XR, XT, YU, YY, ZA, ZH, ZR, ZT, NJ, 53, BH, BK, GT, GU, LM, LP								
	05/02-10/037H7	sunshine beige	-GC, VD, JD, NH, TY, XS, YT, ZJ, ZS, 54								
	11/03-06/057G8	beige	-BL, GV, LT								
3 +	N 013 964 9	tapping screw, fill. hd.	ST4, 2X16-C	2							
(3A)	3B5 861 335 B	cap	left	1							
	05/02-06/05Y20	pearl grey	-BJ, FP, FQ, GA, GB, JC, JJ, JL, NG, RN, RW, TW, TX, TZ, VA, VB, XR, XT, YU, YY, ZA, ZH, ZR, ZT, NJ, 53, BH, BK, GT, GU, LM, LP								
	05/02-07/027H7	sunshine beige	-GC, JD, NH, TY, VD, XS, YT, ZJ, ZS, 54								
	11/03-06/057G8	beige	-BL, GV, LT								
(3A)	3B5 861 336 B	cap	right	1							
	05/02-06/05Y20	pearl grey	-BJ, FP, FQ, GA, GB, JC, JJ, JL, NG, RN, RW, TW, TX, TZ, VA, VB, XR, XT, YU, YY, ZA, ZH, ZR, ZT, NJ, 53, BH, BK, GT, GU, LM, LP								
	05/02-10/037H7	sunshine beige	-GC, JD, NH, TY, VD, XS, YT, ZJ, ZS, 54								
	11/03-06/057G8	beige	-BL, GV, LT								


Model	Year	MG	SG	Illustration	Restrictions	UPD	22:06	11.12.2006		ETKA
PA	2005	8	63	863-00		597	USA			




Pos	Part Number	Name	Remarks	Qty	Model
		floor covering foot support interior trim			
(1)	3B1 863 367 AK	floor cover	lhd	1	4-, 5-, 6-cyl.
	05/02-07/036EX	flannel grey	-FQ, GB, JC, NJ, RN, VB, ZH		
	05/02-07/038ER	black	-BJ, FP, GA, JJ, JL, NG, RW, VA, XR, ZA, ZR, 53		
	05/02-07/0388L	sunshine beige	-GC, JD, NH, VD, XS, ZJ, ZS, 54		
(1)	3B1 863 367 AP	floor cover	lhd	1	4-, 5-, 6-cyl.
	08/03-10/036EX	flannel grey	-FQ, GB, JC, NJ, RN, VB, ZH		
	08/03-10/038ER	black	-BJ, FP, GA, JJ, JL, NG, RW, VA, XR, ZA, ZR, 53		
	08/03-10/0388L	sunshine beige	-GC, JD, NH, VD, XS, ZJ, ZS, 54		
(1)	3B1 863 367 AP	floor cover	lhd	1	4-, 5-, 6-cyl.
	11/03-06/055BC	anthracite	-BH, BM, FA, GT, JF, LM, MX, NC, NM, RU, VN, VT, 93, 95, 92		
	11/03-06/056EX	flannel grey	-BK, FH, GU, LP, MY, ND, RV, VP 96		
	11/03-06/058BY	beige	-BL, GV, JG, LT, MZ, NN, VU		
(1)	3B7 863 367	floor cover	lhd	1	sedan: 8 cylinder
	05/02-07/036EX	flannel grey	-TX, VB		
	05/02-07/038ER	black	-TW, VA, XR, YY, ZR		
	05/02-07/0388L	sunshine beige	-TY, VD, XS, YT, ZS		
	05/02-07/0391F	petrol (green)	-TZ, XT, YU, ZT		
(1)	3B7 863 367 C	floor cover	lhd	1	sedan: 8 cylinder

Model	Year	MG	SG	Illustration	Restrictions	UPD	22:06	11.12.2006		ETKA
PA	2005	8	63	863-00		597	USA			


Pos	Part Number	Name	Remarks	Qty	Model	Pos	Part Number	Name	Remarks	Qty	Model
	08/03-10/036EX	flannel grey	-TX, VB				11/03-06/058BY	beige	-JG, LT, NN, QY, XE		
	08/03-10/038ER	black	-TW, VA, XR, YY, ZR				11/03-06/0591F	petrol (green)	-JH, NQ, QZ		
	08/03-10/0388L	sunshine beige	-TY, VD, XS, YT, ZS			(1A)	3B0 863 496	insert for floor		1	manual transmission
	08/03-10/0391F	petrol (green)	-XT, YU, ZT			2	3B5 863 413 M	trim for parcel shelf, rear		1	sedan: PR-3Y0, 4X0/4X1
(1)	3B7 863 367 C	floor cover		1	sedan: 8 cylinder		05/02-09/0214F	black	-BJ, FP, GA, JJ, JL, NG, RW, TW, VA, XR, YY, ZA, ZR, 53		
	11/03-06/055BC	anthracite	-JF, LM, NM, QW, XA				05/02-09/0215K	flannel grey	-FQ, GB, JC, NJ, RN, TX, VB, ZH		
	11/03-06/056EX	flannel grey	-LP, XB				05/02-09/0286A	petrol (green)	-TZ, XT, YU, ZT		
	11/03-06/058BY	beige	-JG, LT, NN, QY, XE				05/02-09/0288N	sunshine beige	-GC, JD, NH, TY, VD, XS, YT, ZJ, ZS, 54		
(1)	3B7 863 367 B	floor cover		1	wagon: 8 cylinder		(2)	3B5 863 413 AH	trim for parcel shelf, rear	1	sedan: PR-3Y0, 4X0/4X1
	05/02-07/036EX	flannel grey	-TX, VB				10/02-10/033N6	black	-BJ, FP, GA, JJ, JL, NG, RW, TW, VA, XR, YY, ZA, ZR, 53		
	05/02-07/038ER	black	-TW, VA, XR, YY, ZR				10/02-10/033Q8	flannel grey	-FQ, GB, JC, NJ, RN, TX, VB, ZH		
	05/02-07/0388L	sunshine beige	-TY, VD, XS, YT, ZS				10/02-10/033Y4	sunshine beige	-GC, JD, NH, TY, VD, XS, YT, ZJ, ZS, 54		
	05/02-07/0391F	petrol (green)	-TZ, XT, YU, ZT				10/02-10/033Z5	petrol (green)	-TZ, XT, YU, ZT		
(1)	3B7 863 367 D	floor cover		1	wagon: 8 cylinder		(2)	3B5 863 413 AH	trim for parcel shelf, rear	1	sedan: PR-3Y0, 4X0/4X1
	08/03-10/036EX	flannel grey	-TX, VB				11/03-06/051BU	anthracite	-BH, BM, FA, GT, JF, LM, MX, NC, NM, QW, RU, VN, VT, XA, 92, 93, 95		
	08/03-10/038ER	black	-TW, VA, XR, YY, ZR				11/03-06/053Q8	flannel grey	-BK, FH, GU, LP, MY, ND, RV, VP, XB, 96		
	08/03-10/0388L	sunshine beige	-TY, VD, XS, YT, ZS								
	08/03-10/0391F	petrol (green)	-TZ, XT, YU, ZT								
(1)	3B7 863 367 D	floor cover		1	wagon: 8 cylinder						
	11/03-06/055BC	anthracite	-JF, LM, NM, QW, XA								
	11/03-06/056EX	flannel grey	-TX, VB								

Model	Year	MG	SG	Illustration	Restrictions	UPD	22:06	11.12.2006		ETKA
PA	2005	8	63	863-00		597	USA			


Pos	Part Number	Name	Remarks	Qty	Model	Pos	Part Number	Name	Remarks	Qty	Model	
	11/03-06/053Z5	petrol (green)	-JH, NQ, QZ, 94				11/03-06/055BV	beige	-BL, GV, JG, LT, MZ, NN, QY, VU, XE			
	11/03-06/055BV	beige	-BL, GV, JG, LT, MZ, NN, QY, VU, XE			(2)	3B5 863 413 N	trim for parcel shelf, rear for vehicles with roller blind		1	sedan: PR-3Y1, 4X0/4X1	
(2)	3B5 863 413 AD	trim for parcel shelf, rear for vehicles with head airbag		1	sedan: PR-3Y0, 4X3/4X4/4X8		05/02-09/0214F	black	-BJ, FP, GA, JJ, JL, NG, RW, TW, VA, XR, YY, ZA, ZR, 53			
	05/02-09/0214F	black	-BJ, FP, GA, JJ, JL, NG, RW, TW, VA, XR, YY, ZA, ZR, 53				05/02-09/0215K	flannel grey	-FQ, GB, JC, NJ, RN, TX, VB, ZH			
	05/02-09/0215K	flannel grey	-FQ, GB, JC, NJ, RN, TX, VB, ZH				05/02-09/0216L	light beige	-GC, JD, NH, TY, VD, XS, YT, ZJ, ZS, 54			
	05/02-09/0286A	petrol (green)	-TZ, XT, YU, ZT				05/02-09/0286A	petrol (green)	-TZ, XT, YU, ZT			
	05/02-09/0288N	sunshine beige	-GC, JD, NH, TY, VD, XS, YT, ZJ, ZS, 54				05/02-09/0288N	sunshine beige	-GC, JD, NH, TY, VD, XS, YT, ZJ, ZS, 54			
(2)	3B5 863 413 AJ	trim for parcel shelf, rear for vehicles with head airbag		1	sedan: PR-3Y0, 4X3/4X4/4X8		(2)	3B5 863 413 AK	trim for parcel shelf, rear for vehicles with roller blind		1	sedan: PR-3Y1, 4X0/4X1
	10/02-10/033N6	black	-BJ, FP, GA, JJ, JL, NG, RW, TW, VA, XR, YY, ZA, ZR, 53				10/02-10/033N6	black	-BJ, FP, GA, JJ, JL, NG, RW, TW, VA, XR, YY, ZA, ZR, 53			
	10/02-10/033Q8	flannel grey	-FQ, GB, JC, NJ, RN, TX, VB, ZH				10/02-10/033Q8	flannel grey	-FQ, GB, JC, NJ, RN, TX, VB, ZH			
	10/02-10/033Y4	sunshine beige	-GC, JD, NH, TY, VD, XS, YT, ZJ, ZS, 54				10/02-10/033Y4	sunshine beige	-GC, JD, NH, TY, VD, XS, YT, ZJ, ZS, 54			
	10/02-10/033Z5	petrol (green)	-TZ, XT, YU, ZT				10/02-10/033Z5	petrol (green)	-TZ, XT, YU, ZT			
(2)	3B5 863 413 AJ	trim for parcel shelf, rear for vehicles with head airbag		1	sedan: PR-3Y0, 4X3/4X4/4X8		(2)	3B5 863 413 AK	trim for parcel shelf, rear for vehicles with roller blind		1	sedan: PR-3Y1, 4X0/4X1
	11/03-06/051BU	anthracite	-BH, BM, FA, GT, JF, LM, MX, NC, NM, QW, RU, VN, VT, XA, 92, 93, 95				11/03-06/051BU	anthracite	-BH, BM, FA, GT, JF, LM, MX, NC, NM, QW, RU, VN, VT, XA, 92, 93, 95			
	11/03-06/053Q8	flannel grey	-BK, FH, GU, LP, MY, ND, RV, VP, XB, 96									
	11/03-06/053Z5	petrol (green)	-JH, NQ, QZ, 94									

Model	Year	MG	SG	Illustration	Restrictions	UPD	22:06	11.12.2006		ETKA
PA	2005	8	63	863-00		597	USA			


Pos	Part Number	Name	Remarks	Qty	Model	Pos	Part Number	Name	Remarks	Qty	Model
	11/03-06/053Q8	flannel grey	-BK, FH, GU, LP, MY, ND, RV, VP, XB, 96				11/03-06/051BU	anthracite	-BH, BM, FA, GT, JF, LM, MX, NC, NM, QW, RU, VN, VT, XA, 92, 93, 95		
	11/03-06/053Z5	petrol (green)	-JH, NQ, QZ, 94				11/03-06/053Q8	flannel grey	-BK, FH, GU, LP, MY, ND, RV, VP, XB, 96		
	11/03-06/055BV	beige	-BL, GV, JG, LT, MZ, NN, QY, VU, XE				11/03-06/053Z5	petrol (green)	-JH, NQ, QZ, 94		
(2)	3B5 863 413 AE	trim for parcel shelf, rear for vehicles with roller blind for vehicles with head airbag		1	sedan: PR-3Y1, 4X3/4X4/4X8		11/03-06/055BV	beige	-BL, GV, JG, LT, MZ, NN, QY, VU, XE		
	05/02-09/0214F	black	-BJ, FP, GA, JJ, JL, NG, RW, TW, VA, XR, YY, ZA, ZR, 53			3	8D5 863 429	clamp F >> 3B-3-250 000*		3	sedan
	05/02-09/0215K	flannel grey	-FQ, GB, JC, NJ, RN, TX, VB, ZH			(3)	3B5 863 265	clamp F 3B-3-250 001>>*		3	sedan
	05/02-09/0286A	petrol (green)	-TZ, XT, YU, ZT			4	8A0 863 987	clip		3	sedan
	05/02-09/0288N	sunshine beige	-GC, JD, NH, TY, VD, XS, YT, ZJ, ZS, 54			4A +	3B5 863 689	clip		3	sedan
(2)	3B5 863 413 AL	trim for parcel shelf, rear for vehicles with roller blind for vehicles with head airbag		1	sedan: PR-3Y1, 4X3/4X4/4X8	(5)	3D0 864 227	bracket	front, lower	4	
	10/02-10/033N6	black	-BJ, FP, GA, JJ, JL, NG, RW, TW, VA, XR, YY, ZA, ZR, 53				05/02-07/03B41	satin black			
	10/02-10/033Q8	flannel grey	-FQ, GB, JC, NJ, RN, TX, VB, ZH			(5)	3D0 864 107 B	bracket	front, lower	4	
	10/02-10/033Y4	sunshine beige	-GC, JD, NH, TY, VD, XS, YT, ZJ, ZS, 54			(6)	3D0 864 229	cap	front, upper	4	
	10/02-01/033Z5	petrol (green)	-TZ, XT, YU, ZT				05/02-07/03B41	satin black	-BJ, FP, GA, JJ, JL, NG, RW, TW, VA, XR, YY, ZA, ZR, 53		
(2)	3B5 863 413 AL	trim for parcel shelf, rear for vehicles with roller blind for vehicles with head airbag		1	sedan: PR-3Y1, 4X3/4X4/4X8		05/02-07/03U71	flannel grey	-FQ, GB, JC, NJ, RN, TX, VB, ZH		
							05/02-07/037H7	sunshine beige	-GC, JD, NH, TY, VD, XS, YT, ZJ, ZS, 54		
						(6)	3D0 864 199 B	bracket	front, upper	4	
							08/03-10/03B41	satin black	-BJ, FP, GA, JJ, JL, NG, RW, TW, VA, XR, YY, ZA, ZR, 53		
							08/03-10/03U71	flannel grey	-FQ, GB, JC, NJ, RN, TX, VB, ZH		

Model	Year	MG	SG	Illustration	Restrictions	UPD	22:06	11.12.2006		ETKA
PA	2005	8	63	863-00		597	USA			


Pos	Part Number	Name	Remarks	Qty	Model	Pos	Part Number	Name	Remarks	Qty	Model
	08/03-10/037H7	sunshine beige	-GC, JD, NH, TY, VD, XS, YT, ZJ, ZS, 54				11/03-06/05U71	flannel grey	-BX, FH, GU, LP, MY, ND, RV, VP, XB, BH		
	08/03-10/0392F	petrol (green)	-TZ, XT, YU, ZT				11/03-06/057G8	beige	-BL, GV, JG, LT, MZ, NN, QY, VU, XE		
(6)	3D0 864 199 B	bracket	front, upper	4			11/03-06/0571N	anthracite	-BH, BM, FA, GT, JF, LM, MX, NC, MN, QW, RU, VN, VT, XA, 93, 95, 92		
	11/03-06/05U71	flannel grey	-BX, FH, GU, LP, MY, ND, RV, VP, XB				11/03-06/0592F	petrol (green)	-JH, NQ, QZ, 94		
	11/03-06/057G8	beige	-BL, GV, JG, LT, MZ, NN, QY, VU, XE			9	8D1 864 775	bracket for foot support	lhd	1	
	11/03-06/0571N	anthracite	-BH, BM, FA, GT, JF, LM, MX, NC, MN, QW, RU, VN, VT, XA, 93, 95, 92			10	8D1 864 777	base for foot support	lhd	1	
	11/03-06/0592F	petrol (green)	-JH, NQ, QZ, 94				05/02-10/03B41	satin black	-BJ, FP, GA, JJ, JL, NG, RW, TW, VA, XR, YY, ZA, ZR, 53		
(6)	3D0 864 812 A	knob for floor cover	rear	4			05/02-10/03U71	flannel grey	-FQ, GB, JC, NJ, RN, TX, VB, ZH		
	05/02-07/03B41	satin black	-BJ, FP, GA, JJ, JL, NG, RW, TW, VA, XR, YY, ZA, ZR, 53				05/02-07/0289H	sunshine beige	-GC, JD, NH, TY, VD, XS, YT, ZJ, ZS, 54		
	05/02-07/03U71	flannel grey	-FQ, GB, JC, NJ, RN, TX, VB, ZH				08/02-10/037H7	sunshine beige	-GC, JD, NH, TY, VD, XS, YT, ZJ, ZS, 54		
	05/02-07/037H7	sunshine beige	-GC, JD, NH, TY, VD, XS, YT, ZJ, ZS, 54				05/02-10/0392F	petrol (green)	-TZ, XT, YU, ZT		
	05/02-07/0392F	petrol (green)	-TZ, XT, YU, ZT			10	8D1 864 777	base for foot support	lhd	1	
(6)	3D0 864 851	knob for floor cover	rear	4			11/03-06/05U71	flannel grey	-BK, FH, GU, LP, MY, ND, RV, VP, XB, 96		
	08/03-10/03B41	satin black	-BJ, FP, GA, JJ, JL, NG, RW, TW, VA, XR, YY, ZA, ZR, 53				11/03-06/057G8	beige	-BL, GV, JG, LT, MZ, NN, QY, VU, XE		
	08/03-10/03U71	flannel grey	-FQ, GB, JC, NJ, RN, TX, VB, ZH				11/03-06/0571N	anthracite	-BH, BM, FA, GT, JF, LM, MX, NC, NM, QW, RU, VN, VT, XA, 92, 93, 95		
	08/03-10/037H7	sunshine beige	-GC, JD, NH, TY, VD, XS, YT, ZJ, ZS, 54				11/03-06/0592F	petrol (green)	-JH, NQ, QZ, 94		
	08/03-10/0392F	petrol (green)	-TZ, XT, YU, ZT				11 + N 901 752 03	shouldered hex. nut	M6	3	
(6)	3D0 864 851	knob for floor cover	rear	4							

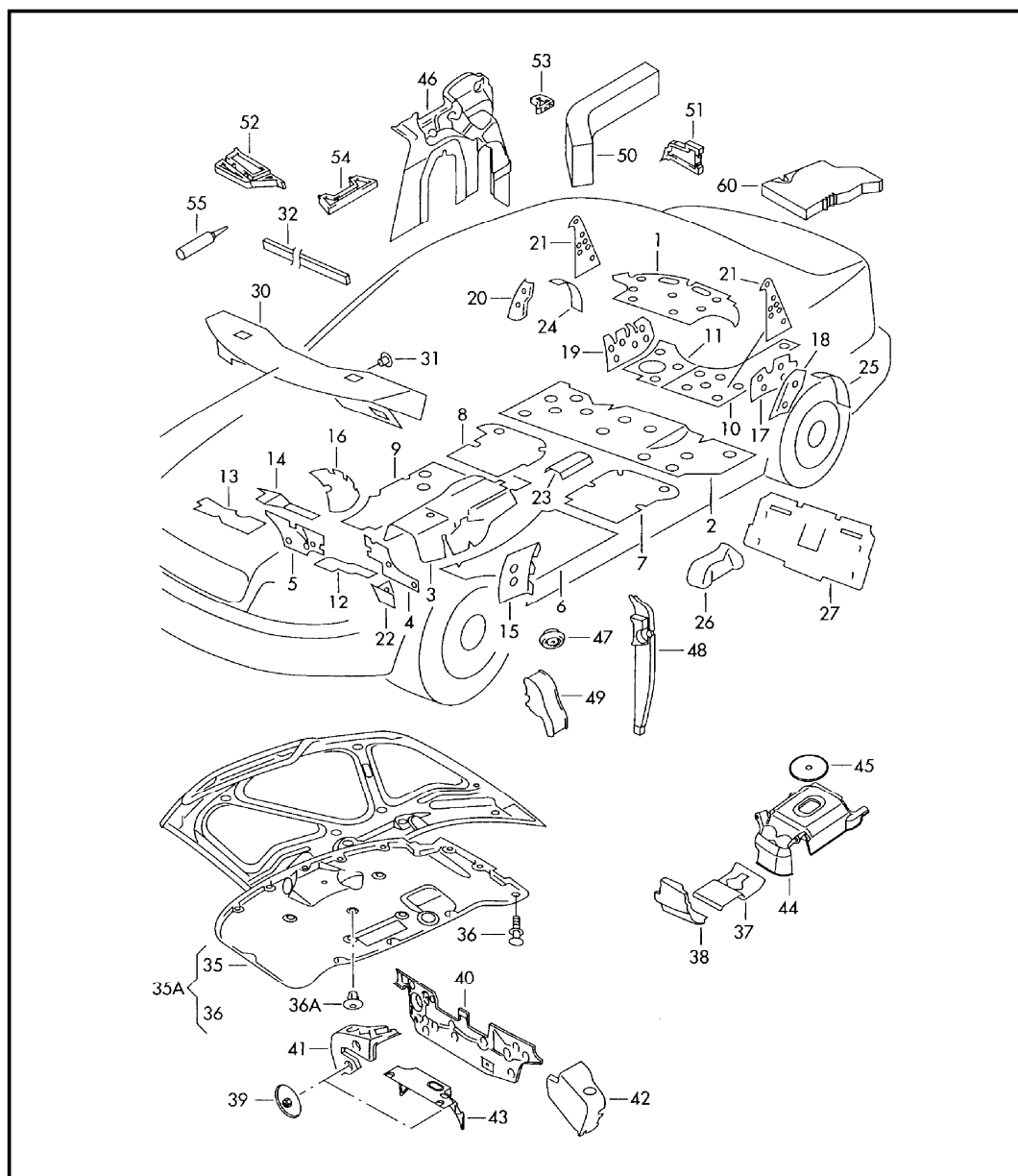
Model	Year	MG	SG	Illustration	Restrictions	UPD	22:06	11.12.2006		ETKA
PA	2005	8	63	863-00		597	USA			

Pos	Part Number	Name	Remarks	Qty	Model	Pos	Part Number	Name	Remarks	Qty	Model
(11)	+ N 013 972 9	tapping screw, fill. hd.	ST4,8X25-C	2			05/02-03/03U71	flannel grey	-FQ, GB, JC, NJ, RN, TX, VB, ZH		
12	3B5 863 433 A	lining air duct		1	sedan		05/02-07/0289H	sunshine beige	-GC, JD, NH, TY, VD, XS, YT, ZJ, ZS, 54		
	05/02-06/056VD	anthracite					08/02-03/037H7	sunshine beige	-GC, JD, NH, TY, VD, XS, YT, ZJ, ZS, 54		
(15)	3B1 863 483 N	lining, pillar a	left lower	1			05/02-03/0392F	petrol (green)	-TZ, XT, YU, ZT		
	05/02-03/03U71	flannel grey	-FQ, GB, JC, NJ, RN, TX, VB, ZH			(16)	3B1 863 484 L	lining, pillar a	right lower lhd	1	
	05/02-07/0289H	sunshine beige	-GC, JD, NH, TY, VD, XS, YT, ZJ, ZS, 54				05/02-10/03B41	satin black	-BJ, FP, GA, JJ, JL, NG, RW, TW, VA, XR, YY, ZA, ZR, 53		
	08/02-03/037H7	sunshine beige	-GC, JD, NH, TY, VD, XS, YT, ZJ, ZS, 54				04/03-10/03U71	flannel grey	-FQ, GB, JC, NJ, RN, TX, VB, ZH		
	05/02-03/0392F	petrol (green)	-TZ, XT, YU, ZT				04/03-10/037H7	sunshine beige	-GC, JD, NH, TY, VD, XS, YT, ZJ, ZS, 54		
(15)	3B1 863 483 Q	lining, pillar a	left lower lhd	1			04/03-10/0392F	petrol (green)	-TZ, XT, YU, ZT		
	05/02-10/03B41	satin black	-BJ, FP, GA, JJ, JL, NG, RW, VA, XR, ZA, ZR, 53			(16)	3B1 863 484 L	lining, pillar a	right lower lhd	1	
	04/03-10/03U71	flannel grey	-FQ, GB, JC, NJ, RN, VB, ZH				11/03-06/05U71	flannel grey	-BK, FH, GU, LP, MY, ND, RV, VP, XB, 96		
	04/03-10/037H7	sunshine beige	-GC, JD, NH, VD, XS, ZJ, ZS, 54				11/03-06/057G8	beige	-BL, GV, JG, LT, MZ, NN, QY, VU, XE		
	04/03-10/0392F	petrol (green)	-TZ, XT, YU, ZT				11/03-06/0571N	anthracite	-BH, BM, FA, GT, JF, LM, MX, NC, NM, QW, RU, VN, VT, XA, 92, 93, 95		
(15)	3B1 863 483 Q	lining, pillar a	left lower lhd	1			11/03-06/0592F	petrol (green)	-JH, NQ, QZ, 94		
	11/03-06/05U71	flannel grey	-BK, FH, GU, LP, MY, ND, RV, VP, XB, 96			-	+ 6N0 867 276	clip		1	
	11/03-06/057G8	beige	-BL, GV, JG, LT, MZ, NN, QY, VU, XE			17	3B0 864 509 A	cap		2	
	11/03-06/0571N	anthracite	-BH, BM, FA, GT, JF, LM, MX, NC, NM, QW, RU, VN, VT, XA, 92, 93, 95				05/02-10/03B41	satin black	-BJ, FP, GA, JJ, JL, NG, RW, TW, VA, XR, YY, ZA, ZR, 53		
	11/03-06/0592F	petrol (green)	-JH, NQ, QZ, 94								
16	3B1 863 484 J	lining, pillar a	right lower	1							


Model	Year	MG	SG	Illustration	Restrictions	UPD	22:06	11.12.2006		ETKA
PA	2005	8	63	863-00		597	USA			

Pos	Part Number	Name	Remarks	Qty	Model	Pos	Part Number	Name	Remarks	Qty	Model
	05/02-10/03U71	flannel grey	-FQ, GB, JC, NJ, RN, TX, VB, ZH				08/03-10/03B41	satin black	-BJ, FP, GA, JJ, JL, NG, RW, TW, VA, XR, YY, ZA, ZR, 53		
	05/02-07/0289H	sunshine beige	-GC, JD, NH, TY, VD, XS, YT, ZJ, ZS, 54				08/03-10/03U71	flannel grey	-FQ, GB, JC, NJ, RN, TX, VB, ZH		
	08/02-10/037H7	sunshine beige	-GC, JD, NH, TY, VD, XS, YT, ZJ, ZS, 54				08/03-10/037H7	sunshine beige	-GC, JD, NH, TY, VD, XS, YT, ZJ, ZS, 54		
	05/02-10/0392F	petrol (green)	-TZ, XT, YU, ZT				08/03-10/0392F	petrol (green)	-TZ, XT, YU, ZT		
17	3B0 864 509 A	cap		2		(24)	3D0 898 501 B	1 set of securing parts for floor mat	front and rear	2	
	11/03-06/05U71	flannel grey	-BK, FH, GU, LP, MY, ND, RV, VP, XB, 96				11/03-06/05U71	flannel grey	-BX, FH, GU, LP, MY, ND, RV, VP, XB		
	11/03-06/057G8	beige	-BL, GV, JG, LT, MZ, NN, QY, VU, XE				11/03-06/057G8	beige	-BL, GV, JG, LT, MZ, NN, QY, VU, XE		
	11/03-06/0571N	anthracite	-BH, BM, FA, GT, JF, LM, MX, NC, NM, QW, RU, VN, VT, XA, 92, 93, 95				11/03-06/0571N	anthracite	-BH, BM, FA, GT, JF, LM, MX, NC, MN, QW, RU, VN, VT, XA, 93, 95		
	11/03-06/0592F	petrol (green)	-JH, NQ, QZ, 94				11/03-06/0592F	petrol (green)	-JH, NQ, QZ, 94		
18	+ 4A0 857 610	expanding nut		2		(30)	3B5 868 435 A	lining for vehicules with long load possibility (ski sack)	left upper	1	sedan: 5-, 6-cyl.
19	N 907 321 01	innensechsrund-blechschaube	4X16-Q	2			05/02-06/058JS	off-black			
20-23		floor mat see illustration:	035-90				05/02-06/058JS	off-black			
24	3D0 898 501	1 set of securing parts for floor mat	front and rear	2		30	3B5 868 436 A	lining for vehicules with long load possibility (ski sack)	right upper	1	sedan: 5-, 6-cyl.
	05/02-07/03B41	satin black	-BJ, FP, GA, JJ, JL, NG, RW, TW, VA, XR, YY, ZA, ZR, 53				05/02-06/058JS	off-black			
	05/02-07/03U71	flannel grey	-FQ, GB, JC, NJ, RN, TX, VB, ZH			31	191 867 199	plug	20/8, 5	2	sedan: 5-, 6-cyl.
	05/02-07/037H7	sunshine beige	-GC, JD, NH, TY, VD, XS, YT, ZJ, ZS, 54				+ 05/02-06/0501C	satin black			
	05/02-07/0392F	petrol (green)	-TZ, XT, YU, ZT								
(24)	3D0 898 501 B	1 set of securing parts for floor mat	front and rear	2							


Model	Year	MG	SG	Illustration	Restrictions	UPD	22:06	11.12.2006		ETKA
PA	2005	8	63	863-20		597	USA			

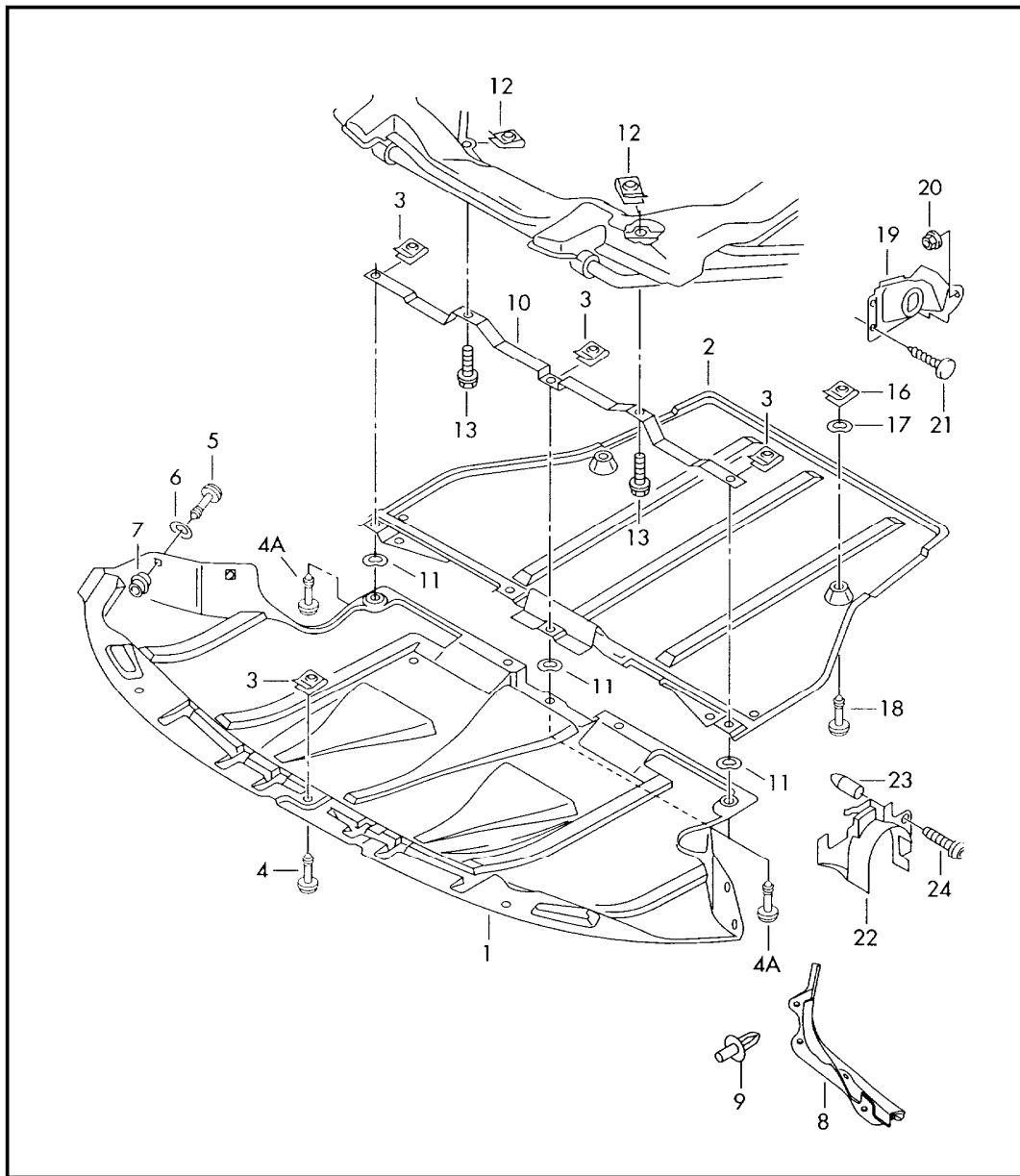


Pos	Part Number	Name	Remarks	Qty	Model
1-25		sound absorber for floor sound absorber for cross panel sound absorber for tunnel sound absorber for flap			
		make up from:	323 863 950	X	
-	323 863 950	sound absorber (adhesive) 'order qty. 6'	550X250X2	X	
-	000 863 421	plastic foam bloc rework if necessary	300X200X40 grey	X	
(30)	3B1 863 947 F	sound absorber cross member rework if necessary		1	lhd
31	4A5 853 909	speed nut		8	
	05/02-06/0501C	satin black			
32	4B0 863 949	damping strip (self-adhesive)	1440X35X15	1	
(35)	3B0 863 835 K	sound absorber for flap	front	1	4-,6-cyl.
(35)	3B7 863 835 B	sound absorber for flap	front	1	5-,8-cyl.
36	1H5 863 849 A	retaining clip	plastic	14	
	05/02-06/0501C	satin black			
(36)	1J0 858 213 A	clamp	steel	2	
(40)	8D0 863 829 C	sound absorber for water box		1	diesel eng., 8 cylinder
40A+	N 907 088 01	speed nut	AM5	X	diesel eng., 8 cylinder
41	8D0 863 802 B	sound absorb. for suspension strut mounting	right	1	diesel eng., 8 cylinder
42	8D0 863 801	sound absorb. for suspension strut mounting F >> 3B-3-300 000*	left	1	4-,5-,6-cyl.
(42)	8D0 863 801 A	sound absorb. for suspension strut mounting F 3B-3-300 001>>*	left	1	diesel eng., 8 cylinder
43	8D0 863 815 A	sound absorb. for suspension strut mounting	lower	1	diesel eng., 8 cylinder
47	N 102 497 01	plug	15	2	


Model	Year	MG	SG	Illustration	Restrictions	UPD	22:06	11.12.2006		ETKA
PA	2005	8	63	863-20		597	USA			

Pos	Part Number	Name	Remarks	Qty	Model	Pos	Part Number	Name	Remarks	Qty	Model
		sound absorbers plastic foam									
48	3B0 864 235	sound absorber for fender	left	1							
(48)	3B0 864 235 A	sound absorber for fender	left	1							
(48)	3B0 864 236	sound absorber for fender	right	1							
(48)	3B0 864 236 A	sound absorber for fender	right	1							
49	3B0 864 237	sound absorber for fender	upper	2							
50	3B5 864 711	sound absorber plastic foam	530X90X70 left	1	sedan						
(50)	3B5 864 712	sound absorber plastic foam	420X80X60 right	1	sedan						
(51)	3B0 864 621 A	sound absorb.for wheel housing	rear	2							
		also use:	AKD 497 010 04 (R10)	1							
52	3B0 864 627 D	sound absorber-pillar a		2							
		also use:	AKD 497 010 04 (R10)	1							
53	3B5 864 629	sound absorber-pillar c		2	sedan						
		also use:	AKD 497 010 04 (R10)	1							
54	3B0 864 733	sound absorber pillar b	lower	2							
-	AKD 497 010 04	sealing cord in coils of 10m 'order qty. 1'		1							
	05/02-06/05R10	sealing cord	10X2MM	10							


Model	Year	MG	SG	Illustration	Restrictions	UPD	22:06	11.12.2006		ETKA
PA	2005	8	63	863-25		597	USA			

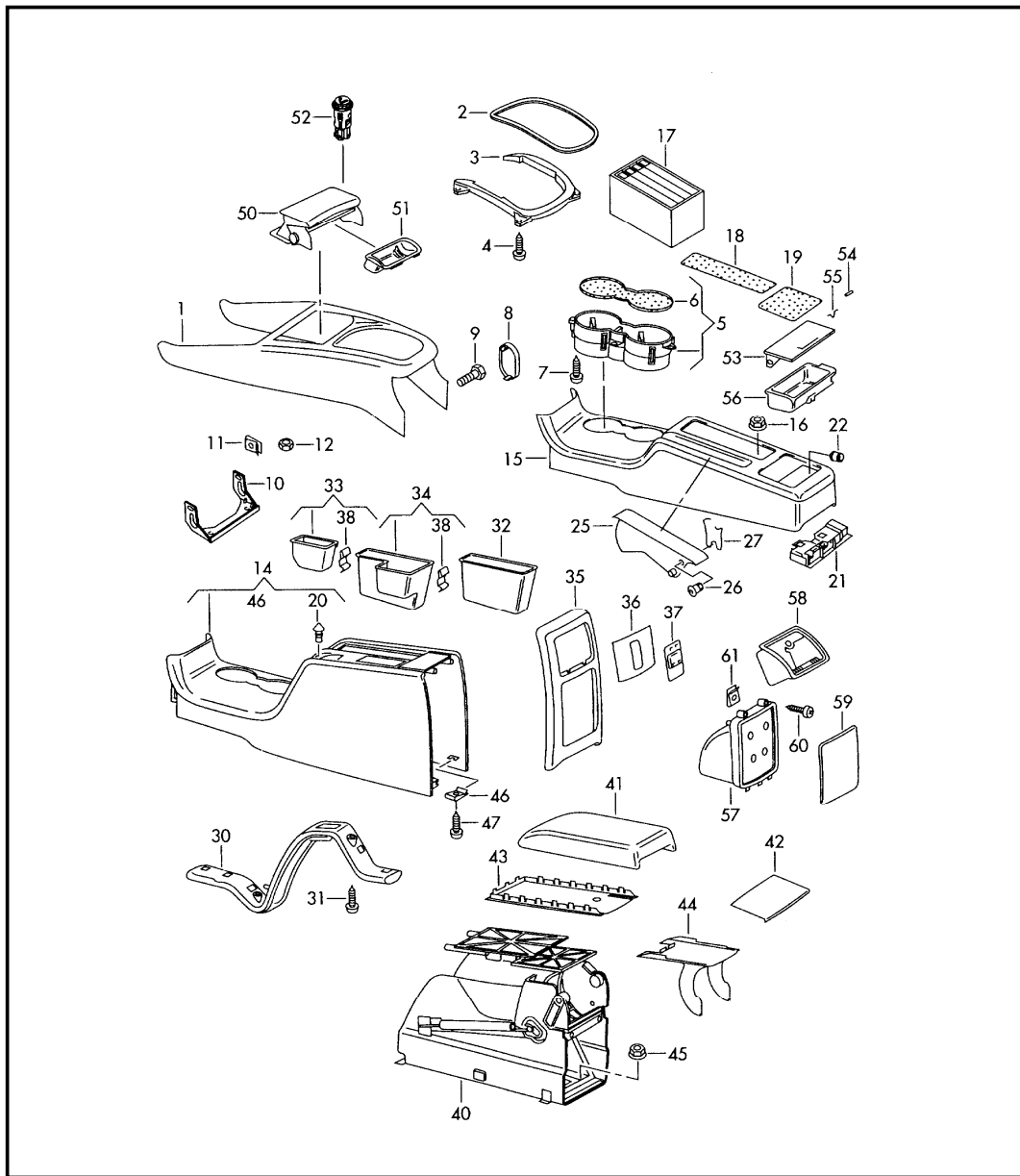


Pos	Part Number	Name	Remarks	Qty	Model
		sound dampening pan cover for joint shaft cover for engine compartment			
1	8D0 863 821 S	sound dampening pan		1	gas engine: 4-,5-cyl.
(1)	3B0 825 235 B	sound dampening pan		1	diesel eng.: 4 cylinder
(1)	8D0 863 821 Q	sound dampening pan to fit use workshop material		1	6 cylinder
(1)	3B7 825 235 A	sound dampening pan F >> 3B-5-037 878		1	8 cylinder
-	N 020 024 1	plug	A10X1	4	
2	8D0 863 822	sound dampening pan	rear	1	diesel eng.: 4 cylinder manual transmission
(2)	4B0 863 822 G	sound dampening pan	rear	1	diesel eng.: 4 cylinder automatic
(2)	4B0 863 822 N	sound dampening pan	rear	1	diesel eng.+ 6 cylinder, manual transmission
(2)	4B0 863 822 N	sound dampening pan	rear	1	diesel eng.+ 6 cylinder, automatic
3	+ 8D0 805 960	speed nut		3	
4	+ 8D0 805 121	dowel pin	6X18MM silver	3	
4A	+ 8D0 805 121	dowel pin	6X18MM silver	3	
(4A)	3B0 805 121	dowel pin	6X21,5MM brown	5	
5	+ 4A0 805 121 A	dowel pin		4	
7	+ 4A0 805 163	clip		4	
8	3B0 807 547	spoiler damping pan	left	1	
(8)	3B0 807 548	spoiler damping pan	right	1	


Model	Year	MG	SG	Illustration	Restrictions	UPD	22:06	11.12.2006		ETKA
PA	2005	8	63	863-25		597	USA			

Pos	Part Number	Name	Remarks	Qty	Model	Pos	Part Number	Name	Remarks	Qty	Model
10	4B3 863 843	bracket		1							
11	+ 4A0 805 137	rubber washer	25MM	3							
12	+ N 901 686 04	speed nut	M6X16X24	2							
13	N 090 148 4	bolt, hex. hd. (combi.)	M6X15Z2	2							
19	8D1 864 309	cover for engine compartment	left	lhd	1						
(19)	8D1 864 310	cover for engine compartment	right	lhd	1						
20	+ 171 201 969	shouldered hex. nut	5	1							
21	823 863 203	clip		2							
	+ 05/02-06/0501C	satin black									
22	8D0 863 187 B	cover for joint shaft	left	1	4 cylinder						
(22)	4B0 863 187 C	cover for joint shaft	left	1	6 cylinder						
(22)	8D0 863 188 B	cover for joint shaft	right	1	4 cylinder						
(22)	4B0 863 188 D	cover for joint shaft	right	1	6 cylinder						
23	+ N 908 214 01	expanding nut	D4,8	2							
24	+ N 907 750 01	innensechsrund-blechschraube	4,8X16	2							


Model	Year	MG	SG	Illustration	Restrictions	UPD	22:07	11.12.2006		ETKA
PA	2005	8	63	863-50		597	USA			




Pos	Part Number	Name	Remarks	Qty	Model
1	3B1 863 243 B 05/02-10/03A94	center console F >> 3B-4-160 000* center console satin black	front lhd -BJ, FP, GA, JJ, JL, NG, RW, TW, VA, XR, YY, ZA, ZR, 53	1	
	05/02-10/037DE	flannel grey	-FQ, GB, JC, NJ, RN, TX, VB, ZH		
	05/02-10/0392Y	sunshine beige	-GC, JD, NH, TY, VD, XS, YT, ZJ, ZS, 54		
2	8D0 863 269 05/02-10/03B41	cover satin black	-BJ, FP, GA, JJ, JL, NG, RW, TW, VA, XR, YY, ZA, ZR, 53	1	automatic
	05/02-10/03U71	flannel grey	-FQ, GB, JC, NJ, RN, TX, VB, ZH		
	05/02-07/0289H	sunshine beige	-GC, JD, NH, TY, VD, XS, YT, ZJ, ZS, 54		
	08/02-10/037H7	sunshine beige	-GC, JD, NH, TY, VD, XS, YT, ZJ, ZS, 54		
3	3B0 863 287	mounting		1	automatic
4	N 105 263 01	screw, thread cutting	4X14-Q	4	
5	3B0 862 531 05/02-10/03A94	cup holder satin black	-BJ, FP, GA, JJ, JL, NG, RW, TW, VA, XR, YY, ZA, ZR, 53	1	
	05/02-10/037DE	flannel grey	-FQ, GB, JC, NJ, RN, TX, VB, ZH		
	05/02-10/0392Y	sunshine beige	-GC, JD, NH, TY, VD, XS, YT, ZJ, ZS, 54		
6	3B0 863 301 D	insert for cup holder		1	

Model	Year	MG	SG	Illustration	Restrictions	UPD	22:07	11.12.2006		ETKA
PA	2005	8	63	863-50		597	USA			


Pos	Part Number	Name	Remarks	Qty	Model	Pos	Part Number	Name	Remarks	Qty	Model
	05/02-10/0301C	satin black	-BJ, FP, GA, JJ, JL, NG, RW, TW, VA, XR, YY, ZA, ZR, 53				05/02-10/03A94	satin black	-BJ, FP, GA, JJ, JL, NG, RW, TW, VA, XR, YY, ZA, ZR, 53		
	05/02-10/034EW	flannel grey	-FQ, GB, JC, NJ, RN, TX, VB, ZH				05/02-10/037DE	flannel grey	-FQ, GB, JC, NJ, RN, TX, VB, ZH		
	05/02-10/0389J	sunshine beige	-GC, JD, NH, TY, VD, XS, YT, ZJ, ZS, 54				05/02-10/0392Y	sunshine beige	-GC, JD, NH, TY, VD, XS, YT, ZJ, ZS, 54		
7	N 905 942 01	tapping screw, fill.hd. (combi.)	E4X16	4		16	+ N 909 083 01	shouldered hex. nut, self-locking center console for vehicles without armrest	M8	2	
8	3B0 863 276	cover		2							
	05/02-10/03A94	satin black	-BJ, FP, GA, JJ, JL, NG, RW, TW, VA, XR, YY, ZA, ZR, 53			17		cassette holder ** see accessories catalog **	VOTEX	1	
	05/02-10/037DE	flannel grey	-FQ, GB, JC, NJ, RN, TX, VB, ZH			18	3B0 863 301	insert for stowage compartment	185X72	1	
	05/02-10/0392Y	sunshine beige	-GC, JD, NH, TY, VD, XS, YT, ZJ, ZS, 54				05/02-10/0301C	satin black	-BJ, FP, GA, JJ, JL, NG, RW, TW, VA, XR, YY, ZA, ZR, 53		
9	N 010 213 9	bolt, hex. hd., self-locking	M5X15	2			05/02-10/034EW	flannel grey	-FQ, GB, JC, NJ, RN, TX, VB, ZH		
10	8D0 863 531 A	bracket for console		1			05/02-10/0389J	sunshine beige	-GC, JD, NH, TY, VD, XS, YT, ZJ, ZS, 54		
11	+ N 903 562 03	speed nut	M5X17X17	2							
12	+ N 902 867 03	hex. nut, self-locking with washer	M6	2		19		insert for stowage compartment cassette holder make up from:	3B0 863 301 in corresponding color	1	
14	3B1 863 323 C	center console for vehicles with center armrest	rear lhd	1		20	3B0 863 453	buffer armrest	rubber	2	
	05/02-10/03A94	satin black	-BJ, FP, GA, JJ, JL, NG, RW, TW, VA, XR, YY, ZA, ZR, 53			21	3B0 863 271	retaining clamp		1	PR-6E0
	05/02-10/037DE	flannel grey	-FQ, GB, JC, NJ, RN, TX, VB, ZH			22	3B0 858 581	locking segment		1	PR-6E0
	05/02-10/0392Y	sunshine beige	-GC, JD, NH, TY, VD, XS, YT, ZJ, ZS, 54			25	3B0 863 331 A	cover for hanbrake opening for vehicles without center armrest		1	
	05/02-10/0393R	petrol (green)	-TZ, XT, YU, ZT				05/02-10/03A94	satin black	-BJ, FP, GA, JJ, JL, NG, RW, TW, VA, XR, YY, ZA, ZR, 53		
15	3B1 863 323 A	center console	rear lhd	1							

Model	Year	MG	SG	Illustration	Restrictions	UPD	22:07	11.12.2006		ETKA
PA	2005	8	63	863-50		597	USA			


Pos	Part Number	Name	Remarks	Qty	Model	Pos	Part Number	Name	Remarks	Qty	Model
	05/02-10/037DE	flannel grey	-FQ,GB,JC,NJ, RN, TX, VB, ZH				05/02-10/037DE	flannel grey	-FQ,GB,JC,NJ, RN, TX, VB, ZH		
	05/02-10/0392Y	sunshine beige	-GC,JD,NH,TY, VD,XS,YT,ZJ, ZS,54				05/02-10/0392Y	sunshine beige	-GC,JD,NH,TY, VD,XS,YT,ZJ, ZS,54		
26	3B0 885 313	clip		2		36	3B0 863 289	trim		1	
(27)	3B0 863 431	spring handbrake lever boot	left	1			05/02-10/03A94	satin black	-BJ,FP,GA,JJ, JL,NG,RW,TW, VA, XR, YY, ZA, ZR, 53		
27	3B0 863 432	spring handbrake lever boot	right	1			05/02-10/037DE	flannel grey	-FQ,GB,JC,NJ, RN, TX, VB, ZH		
30	3B0 713 187	window blind for vehicles with center armrest		1			05/02-10/0392Y	sunshine beige	-GC,JD,NH,TY, VD,XS,YT,ZJ, ZS,54		
	05/02-10/03A94	satin black	-BJ,FP,GA,JJ, JL,NG,RW,TW, VA, XR, YY, ZA, ZR, 53			(36)	3B0 863 289 A	trim for vehicles with seat and backrest heater element	rear	1	
	05/02-10/037DE	flannel grey	-FQ,GB,JC,NJ, RN, TX, VB, ZH				05/02-10/03A94	satin black	-BJ,FP,GA,JJ, JL,NG,RW,TW, VA, XR, YY, ZA, ZR, 53		
	05/02-10/0392Y	sunshine beige	-GC,JD,NH,TY, VD,XS,YT,ZJ, ZS,54				05/02-10/037DE	flannel grey	-FQ,GB,JC,NJ, RN, TX, VB, ZH		
	05/02-10/0393R	petrol (green)	-TZ,XT,YU,ZT				05/02-10/0392Y	sunshine beige	-GC,JD,NH,TY, VD,XS,YT,ZJ, ZS,54		
31	N 905 942 01	tapping screw,fill.hd.(combi.)	E4X16	2			(37)	3B0 863 365	trim electrical outlet	1	
32	3B0 858 337	shelf for vehicles with telephone		1	PR-9W8/9W9		05/02-10/03A94	satin black	-BJ,FP,GA,JJ, JL,NG,RW,TW, VA, XR, YY, ZA, ZR, 53		
	05/02-10/0333N	black					05/02-10/037DE	flannel grey	-FQ,GB,JC,NJ, RN, TX, VB, ZH		
33	3B1 858 337 A	shelf for vehicles with telephone	lhd	1	PR-9W8/9W9		05/02-10/0392Y	sunshine beige	-GC,JD,NH,TY, VD,XS,YT,ZJ, ZS,54		
	05/02-10/0333N	black					1T0 858 952	spring clip		X	
34	3B1 858 337	shelf	lhd	1	PR-9W0						
	05/02-10/0333N	black									
35	3B0 857 289	trim		1							
	05/02-10/03A94	satin black	-BJ,FP,GA,JJ, JL,NG,RW,TW, VA, XR, YY, ZA, ZR, 53								

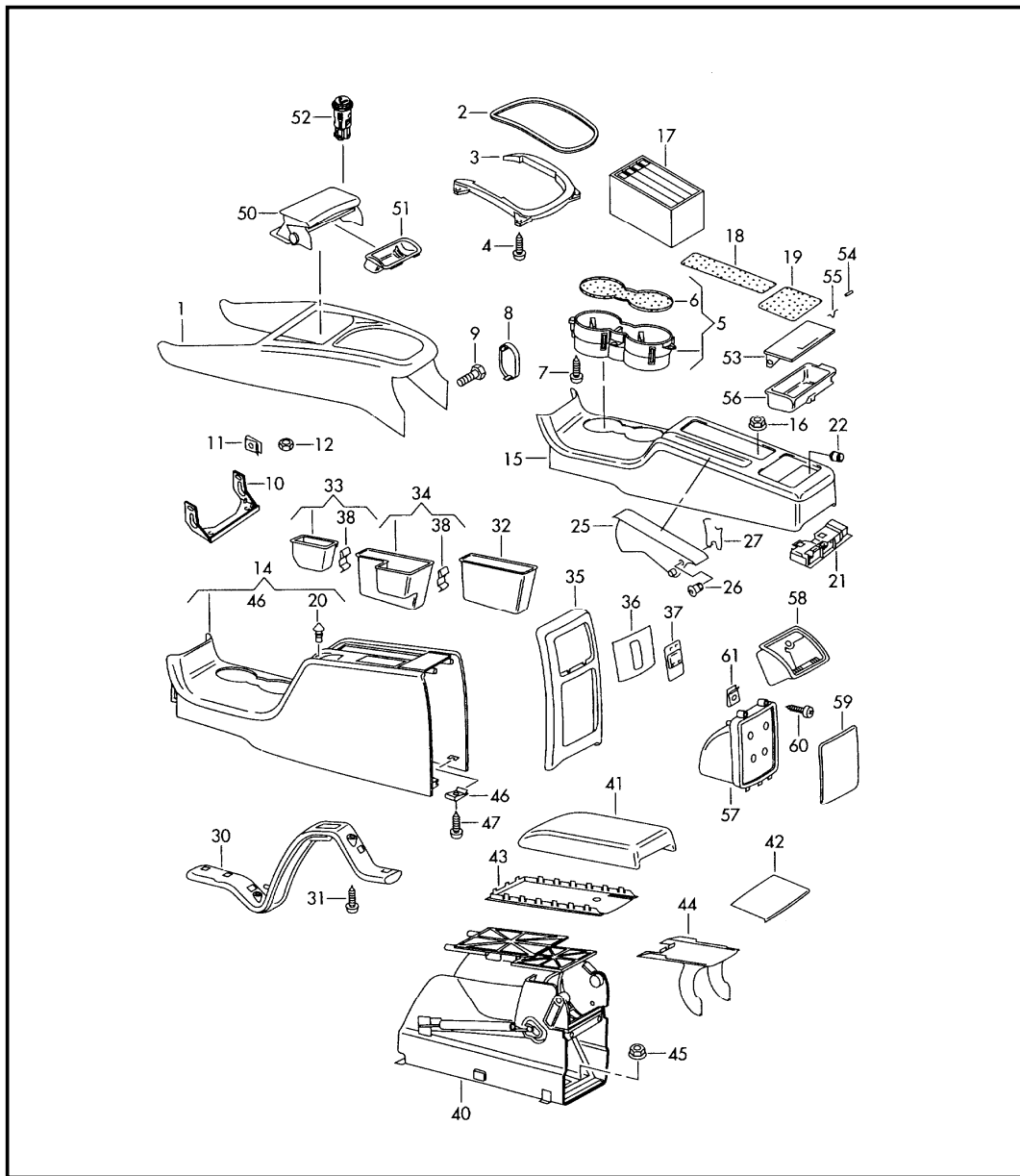
Model	Year	MG	SG	Illustration	Restrictions	UPD	22:07	11.12.2006		ETKA
PA	2005	8	63	863-50		597	USA			

Pos	Part Number	Name	Remarks	Qty	Model	Pos	Part Number	Name	Remarks	Qty	Model
		armrest F >> 3B-4-160 000*	front				05/02-10/0392F	petrol (green)	-TZ, XT, YU, ZT		
(40)	3B1 864 207 C	bracket for arm rest	lhd	1		44	3B0 864 249 A	hinge cover		1	
41	3B0 864 245	armrest (upper part)	front	1			05/02-10/03B41	satin black	-BJ, FP, GA, JJ, JL, NG, RW, TW, VA, XR, YY, ZA, ZR, 53		
	05/02-10/038N4	black	-GA				05/02-10/03U71	flannel grey	-FQ, GB, JC, NJ, RN, TX, VB, ZH		
	05/02-10/038P5	flannel grey	-GB				05/02-07/0289H	sunshine beige	-GC, JD, NH, TY, VD, XS, YT, ZJ, ZS, 54		
	05/02-10/039K7	sunshine beige	-GC				08/02-10/037H7	sunshine beige	-GC, JD, NH, TY, VD, XS, YT, ZJ, ZS, 54		
	05/02-10/0385J	flannel grey for leather trim	-VB				05/02-10/0392F	petrol (green)	-TZ, XT, YU, ZT		
	05/02-10/0388E	black for leather trim	-VA				45 + N 909 083 01	shouldered hex. nut, self-locking	M8	3	
	05/02-10/0389R	sunshine beige for leather trim	-VD				46 N 906 987 01	speed nut	ST4, 2X16X12	4	
42	3B0 864 249 C	cover armrest	rear, upper	1			47 + N 906 986 03	innensechsrund-blechschaube	ST4, 2X16-C-T20	4	
	05/02-10/03A94	satin black	-BJ, FP, GA, JJ, JL, NG, RW, TW, VA, XR, YY, ZA, ZR, 53					ashtray F >> 3B-4-160 000*			
	05/02-10/037DE	flannel grey	-FQ, GB, JC, NJ, RN, TX, VB, ZH				50	3B0 857 961 AC	ashtray as required use:	1 1	PR-9JA/9JB PR-9JA
	05/02-10/0392Y	sunshine beige	-GC, JD, NH, TY, VD, XS, YT, ZJ, ZS, 54					05/02-10/03A94	satin black		PR-5MA
	05/02-10/0393R	petrol (green)	-TZ, XT, YU, ZT					05/02-10/037DE	flannel grey		PR-5MA
43	3B0 864 249	cover armrest	front, lower	1				05/02-10/0392Y	sunshine beige		PR-5MA
	05/02-10/03B41	satin black	-BJ, FP, GA, JJ, JL, NG, RW, TW, VA, XR, YY, ZA, ZR, 53			(50)	3B0 857 961 AD	ashtray for vehicles with wood inlay as required use:	front 7M3 857 989	1 1	PR-9JA/9JB PR-9JA
	05/02-10/03U71	flannel grey	-FQ, GB, JC, NJ, RN, TX, VB, ZH					05/02-10/032WE	burr walnut		PR-5MG
	05/02-07/0289H	sunshine beige	-GC, JD, NH, TY, VD, XS, YT, ZJ, ZS, 54					05/02-10/0393G	vavona (amber)		PR-5TW
	08/02-10/037H7	sunshine beige	-GC, JD, NH, TY, VD, XS, YT, ZJ, ZS, 54			(50)	3B0 857 961 AE	ashtray for vehicles with alu decorative inlay as required use:	front 7M3 857 989	1 1	PR-9JA/9JB PR-9JA


Model	Year	MG	SG	Illustration	Restrictions	UPD	22:07	11.12.2006		ETKA
PA	2005	8	63	863-50		597	USA			

Pos	Part Number	Name	Remarks	Qty	Model	Pos	Part Number	Name	Remarks	Qty	Model
	05/02-10/032ZS	black/brown-netoptic			PR-5MD		05/02-10/03A94	satin black	-BJ, FP, GA, JJ, JL, NG, RW, TW, VA, XR, YY, ZA, ZR, 53		
51	3B0 857 989 B	insert for ashtray	front	1	PR-9JB						
(51)	7M3 857 989	refuse container instead of ashtray		1	PR-9JA		05/02-10/037DE	flannel grey	-FQ, GB, JC, NJ, RN, TX, VB, ZH		
52		cigarette lighter see illustration:	919-90				05/02-10/0392Y	sunshine beige	-GC, JD, NH, TY, VD, XS, YT, ZJ, ZS, 54		
53	3B0 857 352 F	cover for ashtray	rear	1			05/02-10/0393R	petrol (green)	-TZ, XT, YU, ZT		
	05/02-10/03A94	satin black	-BJ, FP, GA, NG, VA			60	N 104 149 01	innensechsrund-blechschaube	4, 2X16	2	
	05/02-10/037DE	flannel grey	-FQ, GB, NJ, VB			61	N 906 987 01	speed nut	ST4, 2X16X12	2	
	05/02-10/0392Y	sunshine beige	-GC, NH, VD								
54	3B0 858 478	lock pin 'order qty. 2'	left/right	2							
	05/02-10/03B41	satin black									
55	3B0 862 545	spring	left	1							
(55)	3B0 862 546	spring	right	1							
(56)	3B0 857 962 D	insert for ashtray	rear	1							
	05/02-10/03B41	satin black									
57	3B0 857 962 C	ashtray for vehicles with center armrest as required use:	rear	1	PR-9JA/9JB						
			3B0 857 232 (B41)	1	PR-9JA						
	05/02-10/03B41	satin black									
58	3B0 857 331	insert for ashtray for vehicles with center armrest	rear	1	PR-9JB						
	05/02-10/03B41	satin black									
(58)	3B0 857 232	refuse container instead of ashtray for vehicles with center armrest		1	PR-9JA						
	05/02-10/03B41	satin black									
59	3B0 857 967	trim ashtray for vehicles with center armrest	rear	1							


Model	Year	MG	SG	Illustration	Restrictions	UPD	22:07	11.12.2006		ETKA
PA	2005	8	63	863-55		597	USA			




Pos	Part Number	Name	Remarks	Qty	Model
1	3B1 863 243 B	center console F 3B-4-160 001>>*			
	11/03-06/057DE	center console flannel grey	front lhd	1	
	11/03-06/057R3	beige	-BK, FH, GU, LP, MY, ND, RV, VP, XB, 96		
	11/03-06/0575R	anthracite	-BL, GV, JG, LT, MZ, NN, QY, VU, XE		
	11/03-06/0575R	anthracite	-BH, BM, FA, GT, JF, LM, MX, NC, NM, QW, RU, VN, VT, XA, 92, 93, 95		
2	8D0 863 269	cover		1	automatic
	11/03-06/05U71	flannel grey	-BK, FH, GU, LP, MY, ND, RV, VP, XB, 96		
	11/03-06/057G8	beige	-BL, GV, JG, LT, MZ, NN, QY, VU, XE		
	11/03-06/0571N	anthracite	-BH, BM, FA, GT, JF, LM, MX, NC, NM, QW, RU, VN, VT, XA, 92, 93, 95		
3	3B0 863 287	mounting		1	automatic
4	N 105 263 01	screw, thread cutting	4X14-Q	4	
5	3B0 862 531	cup holder		1	
	11/03-06/057DE	flannel grey	-BK, FH, GU, LP, MY, ND, RV, VP, XB, 96		
	11/03-06/057R3	beige	-BL, GV, JG, LT, MZ, NN, QY, VU, XE		
	11/03-06/0575R	anthracite	-BH, BM, FA, GT, JF, LM, MX, NC, NM, QW, RU, VN, VT, XA, 92, 93, 95		
	11/03-06/0593R	petrol (green)	-JH, NQ, QZ, 94		

Model	Year	MG	SG	Illustration	Restrictions	UPD	22:07	11.12.2006		ETKA
PA	2005	8	63	863-55		597	USA			


Pos	Part Number	Name	Remarks	Qty	Model	Pos	Part Number	Name	Remarks	Qty	Model
6	3B0 863 301 D	insert for cup holder		1			11/03-06/0575R	anthracite	-BH, BM, FA, GT, JF, LM, MX, NC, NM, QW, RU, VN, VT, XA, 92, 93, 95		
	11/03-06/054EW	flannel grey	-BK, FH, GU, LP, MY, ND, RV, VP, XB, 96								
	11/03-06/057G8	beige	-BL, GV, JG, LT, MZ, NN, QY, VU, XE			15	3B1 863 323 A	center console	rear lhd	1	
	11/03-06/0571N	anthracite	-BH, BM, FA, GT, JF, LM, MX, NC, NM, QW, RU, VN, VT, XA, 92, 93, 95				11/03-06/057DE	flannel grey	-FH, ND		
							11/03-06/0575R	anthracite	-BM, FA, NC		
7	N 905 942 01	tapping screw, fill.hd. (combi.)	E4X16	4		16	+ N 909 083 01	shouldered hex. nut, self-locking	M8	2	
8	3B0 863 276	cover		2		17		cassette holder	** see accessories catalog **	1	
	11/03-06/057DE	flannel grey	-BK, FH, GU, LP, MY, ND, RV, VP, XB, 96			18	3B0 863 301	insert for stowage compartment	185X72	1	
	11/03-06/057R3	beige	-BL, GV, JG, LT, MZ, NN, QY, VU, XE				11/03-06/054EW	flannel grey	-BK, FH, GU, LP, MY, ND, RV, VP, XB, 96		
	11/03-06/0575R	anthracite	-BH, BM, FA, GT, JF, LM, MX, NC, NM, QW, RU, VN, VT, XA, 92, 93, 95				11/03-06/057G8	beige	-BL, GV, JG, LT, MZ, NN, QY, VU, XE		
9	N 010 213 9	bolt, hex. hd., self-locking	M5X15	2			11/03-06/0571N	anthracite	-BH, BM, FA, GT, JF, LM, MX, NC, NM, QW, RU, VN, VT, XA, 92, 93, 95		
10	8D0 863 531 A	bracket for console		1			11/03-06/0592P	petrol (green)	-JH, NQ, QZ, 94		
11	+ N 903 562 03	speed nut	M5X17X17	2		19		insert for stowage compartment		1	
12	+ N 902 867 03	hex. nut, self-locking with washer	M6	2				cassette holder	make up from:		
14	3B1 863 323 C	center console for vehicles with center armrest	rear lhd	1		20	3B0 863 453	buffer armrest	3B0 863 301 in corresponding color	2	
	11/03-06/057DE	flannel grey	-BK, FH, GU, LP, MY, ND, RV, VP, XB, 96			21	3B0 863 271	retaining clamp		1	PR-6E0
	11/03-06/057R3	beige	-BL, GV, JG, LT, MZ, NN, QY, VU, XE			22	3B0 858 581	locking segment		1	PR-6E0
						25	3B0 863 331 A	cover for hanbrake opening for vehicles without center armrest		1	

Model	Year	MG	SG	Illustration	Restrictions	UPD	22:07	11.12.2006		ETKA
PA	2005	8	63	863-55		597	USA			


Pos	Part Number	Name	Remarks	Qty	Model	Pos	Part Number	Name	Remarks	Qty	Model
	11/03-06/057DE	flannel grey	-FH,ND				11/03-06/0575R	anthracite	-BH, BM, FA, GT, JF, LM, MX, NC, NM, QW, RU, VN, VT, XA, 92, 93, 95		
	11/03-06/0575R	anthracite	-BM, FA, NC								
26	3B0 885 313	clip		2							
(27)	3B0 863 431	spring handbrake lever boot	left	1			11/03-06/0593R	petrol (green)	-JH, NQ, QZ, 94		
27	3B0 863 432	spring handbrake lever boot	right	1		36	3B0 863 289	trim		1	
30	3B0 713 187	window blind for vehicles with center armrest		1			11/03-06/057DE	flannel grey	-BK, FH, GU, LP, MY, ND, RV, VP, XB, 96		
	11/03-06/057DE	flannel grey	-BK, FH, GU, LP, MY, ND, RV, VP, XB, 96				11/03-06/057R3	beige	-BL, GV, JG, LT, MZ, NN, QY, VU, XE		
	11/03-06/057R3	beige	-BL, GV, JG, LT, MZ, NN, QY, VU, XE				11/03-06/0575R	anthracite	-BH, BM, FA, GT, JF, LM, MX, NC, NM, QW, RU, VN, VT, XA, 92, 93, 95		
	11/03-06/0575R	anthracite	-BH, BM, FA, GT, JF, LM, MX, NC, NM, QW, RU, VN, VT, XA, 92, 93, 95				11/03-06/0593R	petrol (green)	-JH, NQ, QZ, 94		
	11/03-06/0593R	petrol (green)	-JH, NQ, QZ, 94			(36)	3B0 863 289 A	trim for vehicles with seat and backrest heater element	rear	1	
31	N 905 942 01	tapping screw, fill.hd. (combi.)	E4X16	2			11/03-06/057DE	flannel grey	-BK, FH, GU, LP, MY, ND, RV, VP, XB, 96		
32	3B0 858 337	shelf for vehicles with telephone		1	PR-9W8/9W9		11/03-06/057R3	beige	-BL, GV, JG, LT, MZ, NN, QY, VU, XE		
	11/03-06/0533N	black					11/03-06/0575R	anthracite	-BH, BM, FA, GT, JF, LM, MX, NC, NM, QW, RU, VN, VT, XA, 92, 93, 95		
33	3B1 858 337 A	shelf for vehicles with telephone	lhd	1	PR-9W8/9W9						
	11/03-06/0533N	black					11/03-06/0593R	petrol (green)	-JH, NQ, QZ, 94		
34	3B1 858 337	shelf	lhd	1	PR-9W0		(37)	3B0 863 365	trim electrical outlet	1	
	11/03-06/0533N	black					11/03-06/057DE	flannel grey	-BK, FH, GU, LP, MY, ND, RV, VP, XB, 96		
35	3B0 857 289	trim		1			11/03-06/057R3	beige	-BL, GV, JG, LT, MZ, NN, QY, VU, XE		
	11/03-06/057DE	flannel grey	-BK, FH, GU, LP, MY, ND, RV, VP, XB, 96								
	11/03-06/057R3	beige	-BL, GV, JG, LT, MZ, NN, QY, VU, XE								

Model	Year	MG	SG	Illustration	Restrictions	UPD	22:07	11.12.2006		ETKA
PA	2005	8	63	863-55		597	USA			


Pos	Part Number	Name	Remarks	Qty	Model	Pos	Part Number	Name	Remarks	Qty	Model
	11/03-06/0575R	anthracite	-BH, BM, FA, GT, JF, LM, MX, NC, NM, QW, RU, VN, VT, XA, 92, 93, 95				11/03-06/051TR	beige for leatherette trim	-BL		
38	1T0 858 952	spring clip		X		42	3B0 864 249 C	cover armrest	rear, upper	1	
		armrest F 3B-4-160 001>>*	front				11/03-06/057DE	flannel grey	-BK, FH, GU, LP, MY, ND, RV, VP, XB, 96		
40	3B1 864 207 C	bracket for arm rest	lhd	1			11/03-06/057R3	beige	-BL, GV, JG, LT, MZ, NN, QY, VU, XE		
41	3B0 864 245	armrest (upper part)	front	1			11/03-06/0575R	anthracite	-BH, BM, FA, GT, JF, LM, MX, NC, NM, QW, RU, VN, VT, XA, 92, 93, 95		
	11/03-06/057AA	anthracite	-GT				11/03-06/0593R	petrol (green)	-JH, NQ, QZ, 94		
	11/03-06/058AM	flannel grey	-GU			43	3B0 864 249	cover armrest	front, lower	1	
	11/03-06/059AC	beige	-GV				11/03-06/05U71	flannel grey	-BK, FH, GU, LP, MY, ND, RV, VP, XB, 96		
	11/03-06/0584B	anthracite	-BM, FA, RU				11/03-06/057G8	beige	-BL, GV, JG, LT, MZ, NN, QY, VU, XE		
	11/03-06/0568H	petrol (green) for leather trim	-JH, NQ, QZ, 94				11/03-06/0571N	anthracite	-BH, BM, FA, GT, JF, LM, MX, NC, NM, QW, RU, VN, VT, XA, 92, 93, 95		
	11/03-06/057B4	anthracite for leather trim	-JF, MX, NM, QW, VN, VT, XA, 93, 95				11/03-06/0592F	petrol (green)	-JH, NQ, QZ, 94		
	11/03-06/057C7	beige for leather trim	-JG, MZ, NN, QY, VU, XE			44	3B0 864 249 A	hinge cover		1	
	11/03-06/056BG	anthracite for leatherette trim	-NC				11/03-06/05U71	flannel grey	-BK, FH, GU, LP, MY, ND, RV, VP, XB, 96		
	11/03-06/057EJ	flannel grey for leatherette trim	-ND				11/03-06/057G8	beige	-BL, GV, JG, LT, MZ, NN, QY, VU, XE		
	11/03-06/0585J	flannel grey for leather trim	-LP				11/03-06/0571N	anthracite	-BH, BM, FA, GT, JF, LM, MX, NC, NM, QW, RU, VN, VT, XA, 92, 93, 95		
	11/03-06/057BX	anthracite for leather trim	-LM								
	11/03-06/059BC	beige for leather trim	-LT								
	11/03-06/051NV	anthracite for leatherette trim	-BH								
	11/03-06/051RN	flannel grey for leatherette trim	-BK								

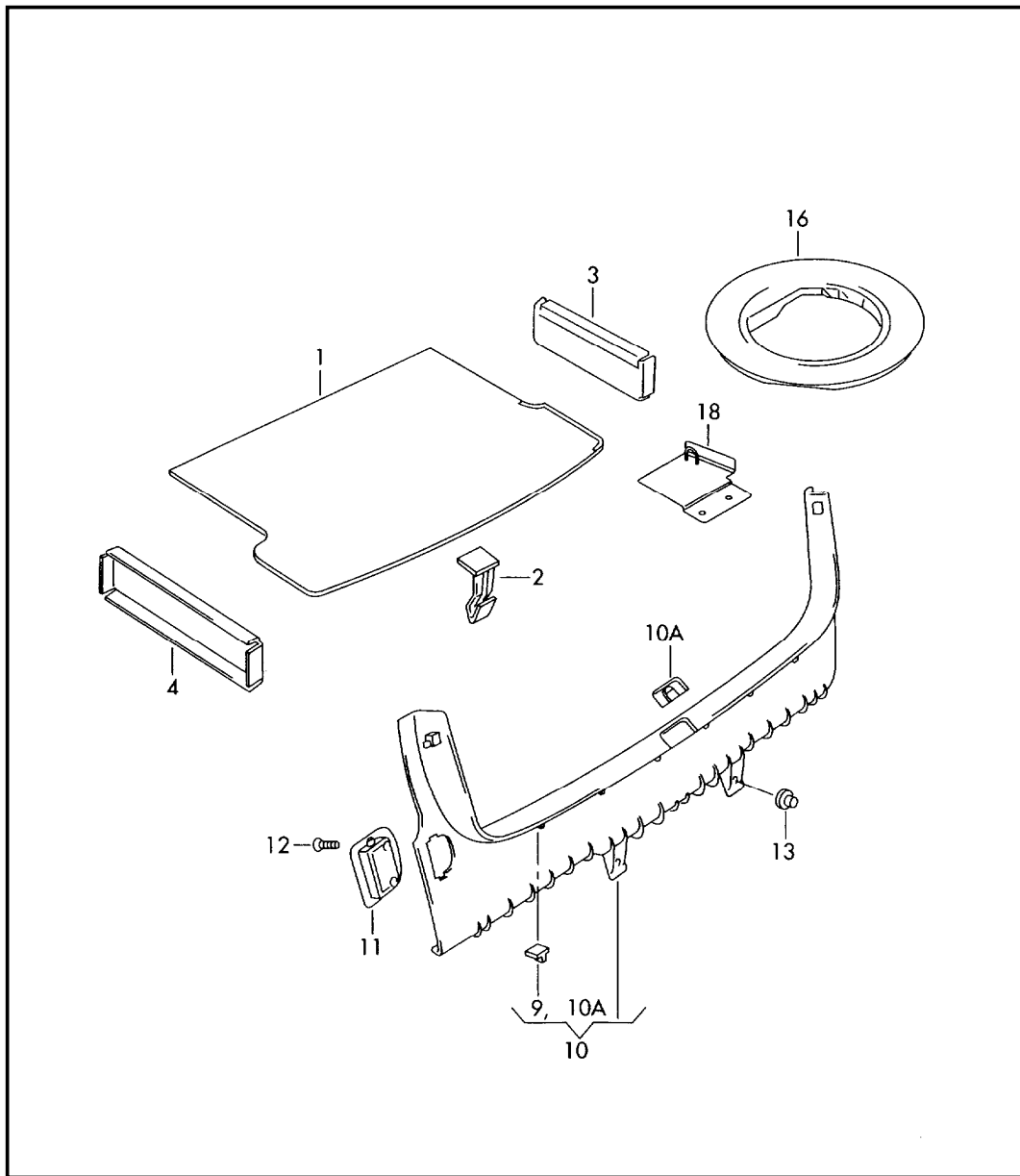
Model	Year	MG	SG	Illustration	Restrictions	UPD	22:07	11.12.2006		ETKA
PA	2005	8	63	863-55		597	USA			

Pos	Part Number	Name	Remarks	Qty	Model	Pos	Part Number	Name	Remarks	Qty	Model
	11/03-06/0592F	petrol (green)	-JH,NQ,QZ,94			54	3B0 858 478	lock pin 'order qty. 2'	left/right	2	
45	+ N 909 083 01	shouldered hex. nut, self-locking	M8	3			11/03-06/05B41	satin black			
46	N 906 987 01	speed nut	ST4,2X16X12	4		55	3B0 862 545	spring	left	1	
47	+ N 906 986 03	innensechsrund-blechschaube	ST4,2X16-C-T20	4		(55)	3B0 862 546	spring	right	1	
		ashtray F 3B-4-160 001>>*				(56)	3B0 857 962 D	insert for ashtray	rear	1	
50	3B0 857 961 AC	ashtray as required use:	front 7M3 857 989	1	PR-9JA/9JB PR-9JA	57	3B0 857 962 C	ashtray for vehicles with center armrest	rear	1	PR-9JA/9JB
	11/03-06/057DE	flannel grey	-FH,GU,LP,ND		PR-5MA			as required use:	3B0 857 232 (B41)	1	PR-9JA
	11/03-06/057R3	beige	-GV,LT		PR-5MA		11/03-06/05B41	satin black			
	11/03-06/0575R	anthracite	-BH,EM,FA,GT, LM,NC		PR-5MA	58	3B0 857 331	insert for ashtray for vehicles with center armrest	rear	1	PR-9JB
(50)	3B0 857 961 AD	ashtray for vehicles with wood inlay as required use:	front 7M3 857 989	1	PR-9JA/9JB PR-9JA		11/03-06/05B41	satin black			
	11/03-06/052WE	burr walnut			PR-5MG	(58)	3B0 857 232	refuse container instead of ashtray for vehicles with center armrest		1	PR-9JA
	11/03-06/0593G	vavona (amber)			PR-5TW		11/03-06/05B41	satin black			
	11/03-06/054BA	tamo (root brown)				59	3B0 857 967	trim ashtray for vehicles with center armrest	rear	1	
	01/04-06/055BA	popular grain (brown)					11/03-06/057DE	flannel grey	-BK, FH, GU, LP, MY, ND, RV, VP, XB, 96		
(50)	3B0 857 961 AE	ashtray for vehicles with alu decora- tive inlay as required use:	front 7M3 857 989	1	PR-9JA/9JB PR-9JA		11/03-06/057R3	beige	-BL, GV, JG, LT, MZ, NN, QY, VU, XE		
	11/03-06/052ZS	black/brown-netoptic			PR-5MD		11/03-06/0575R	anthracite	-BH, BM, FA, GT, JF, LM, MX, NC, NM, QW, RU, VN, VT, XA, 92, 93, 95		
51	3B0 857 989 B	insert for ashtray	front	1	PR-9JB						
(51)	7M3 857 989	refuse container instead of ashtray		1	PR-9JA						
52		cigarette lighter see illustration:	919-90								
53	3B0 857 352 F	cover for ashtray	rear	1			11/03-06/0593R	petrol (green)	-JH,NQ,QZ,94		
	11/03-06/057DE	flannel grey	-FH,ND			60	N 104 149 01	innensechsrund-blechschaube	4,2X16	2	
	11/03-06/0575R	anthracite	-BM,FA,NC								


Model	Year	MG	SG	Illustration	Restrictions	UPD	22:07	11.12.2006		ETKA
PA	2005	8	63	863-55		597	USA			

Pos	Part Number	Name	Remarks	Qty	Model	Pos	Part Number	Name	Remarks	Qty	Model
61	N 906 987 01	speed nut	ST4, 2X16X12	2							


Model	Year	MG	SG	Illustration	Restrictions	UPD	22:07	11.12.2006		ETKA
PA	2005	8	63	863-80		597	USA			

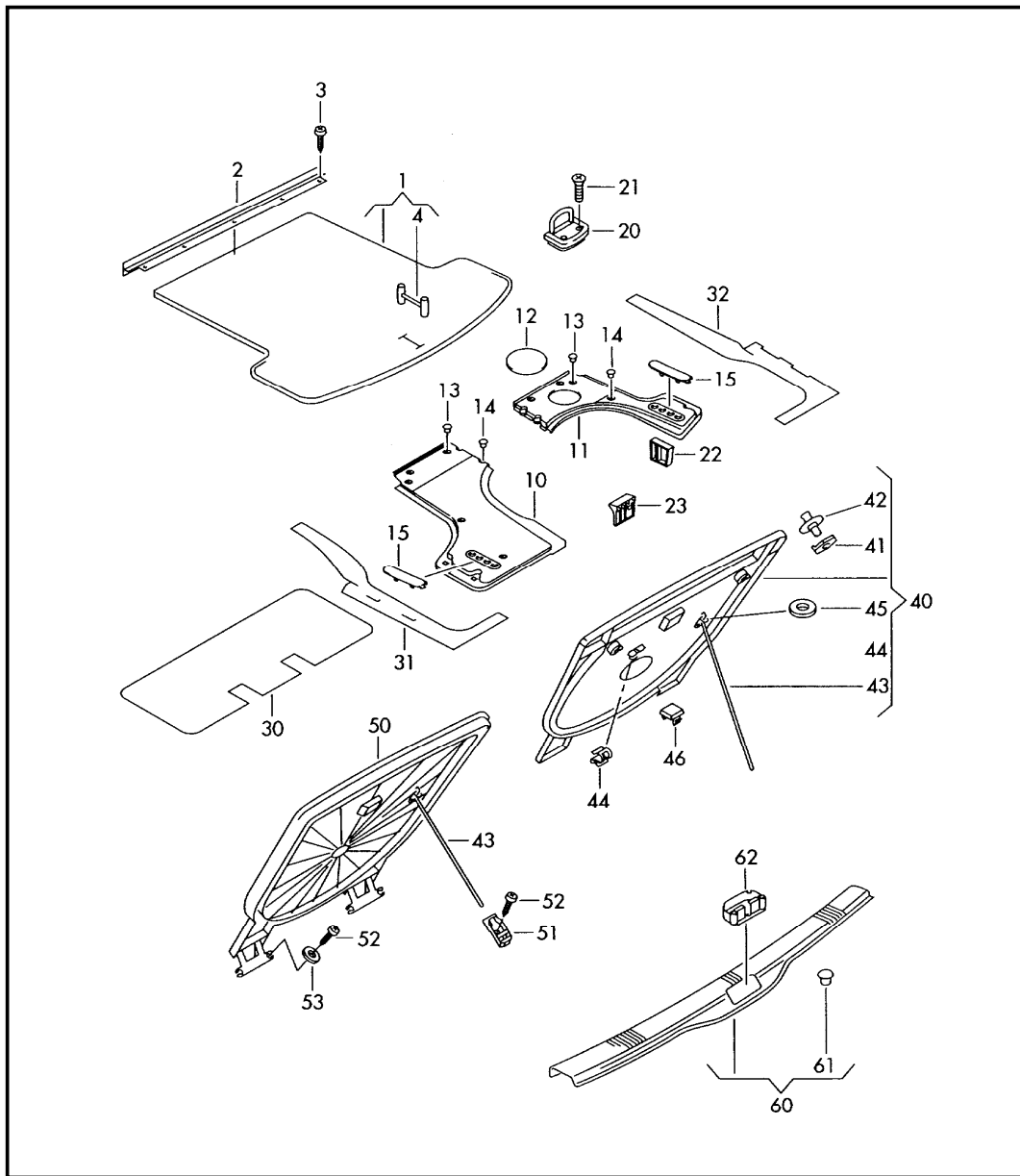


Pos	Part Number	Name	Remarks	Qty	Model
		trunk lining cover for lock carrier			sedan
(1)	3B5 863 463 P	trunk lining	velours	1	fr.wheeldrv: 6 cylinder
	05/02-06/058JS	off-black			
1	3B5 863 463 F	trunk lining	non-woven fab.	1	fr.wheeldrv: 4-,5-cyl.
	05/02-06/051BS	anthracite			
(1)	3B5 863 463 AC	trunk lining for vehicle with fold-down seat backrest	dilours	1	4motion: 6 cylinder
	05/02-06/058JS	off-black			
(1)	3B5 863 463 H	trunk lining	velours	1	4motion: 6 cylinder
	05/02-06/058JS	off-black			
(2)	3B5 863 468 A	handle		1	
	05/02-06/0501C	satin black			
3	3B5 863 512	boot lining side member	right	1	fr.wheel drv
	05/02-06/05E94	dark grey			
4	8D5 863 511	boot lining side member	left	1	fr.wheel drv
	05/02-06/05E94	dark grey			
9 +	357 867 646	clip		8	
	05/02-06/0501C	satin black			
(10)	3B5 863 459 H	cover for lock carrier cover strip	bright chrome	1	fr.wheel drv
	05/02-06/05B41	satin black			
(10)	3B5 863 459 J	cover for lock carrier		1	4motion
	05/02-06/05B41	satin black			
10A	3B5 863 651 A	cap for lock pin		1	
	05/02-06/052ZZ	chrome			
(11)	1J0 864 203 D	tie-down eye		4	


Model	Year	MG	SG	Illustration	Restrictions	UPD	22:07	11.12.2006		ETKA
PA	2005	8	63	863-80		597	USA			

Pos	Part Number	Name	Remarks	Qty	Model	Pos	Part Number	Name	Remarks	Qty	Model
	05/02-06/052ZZ	chrome									
12	N 103 114 01	innensechsrund-senkschraube, selbstsichernd	M6X20-F-SB	8							
13	c 253 260 130	pushbutton		4							
	05/02-06/0501C	satin black									
16	8D0 863 327	insert for temporary spare wheel		1	fr.wheel drv						
18		see illustration:	867-80								


Model	Year	MG	SG	Illustration	Restrictions	UPD	22:07	11.12.2006		ETKA
PA	2005	8	63	863-90		597	USA			

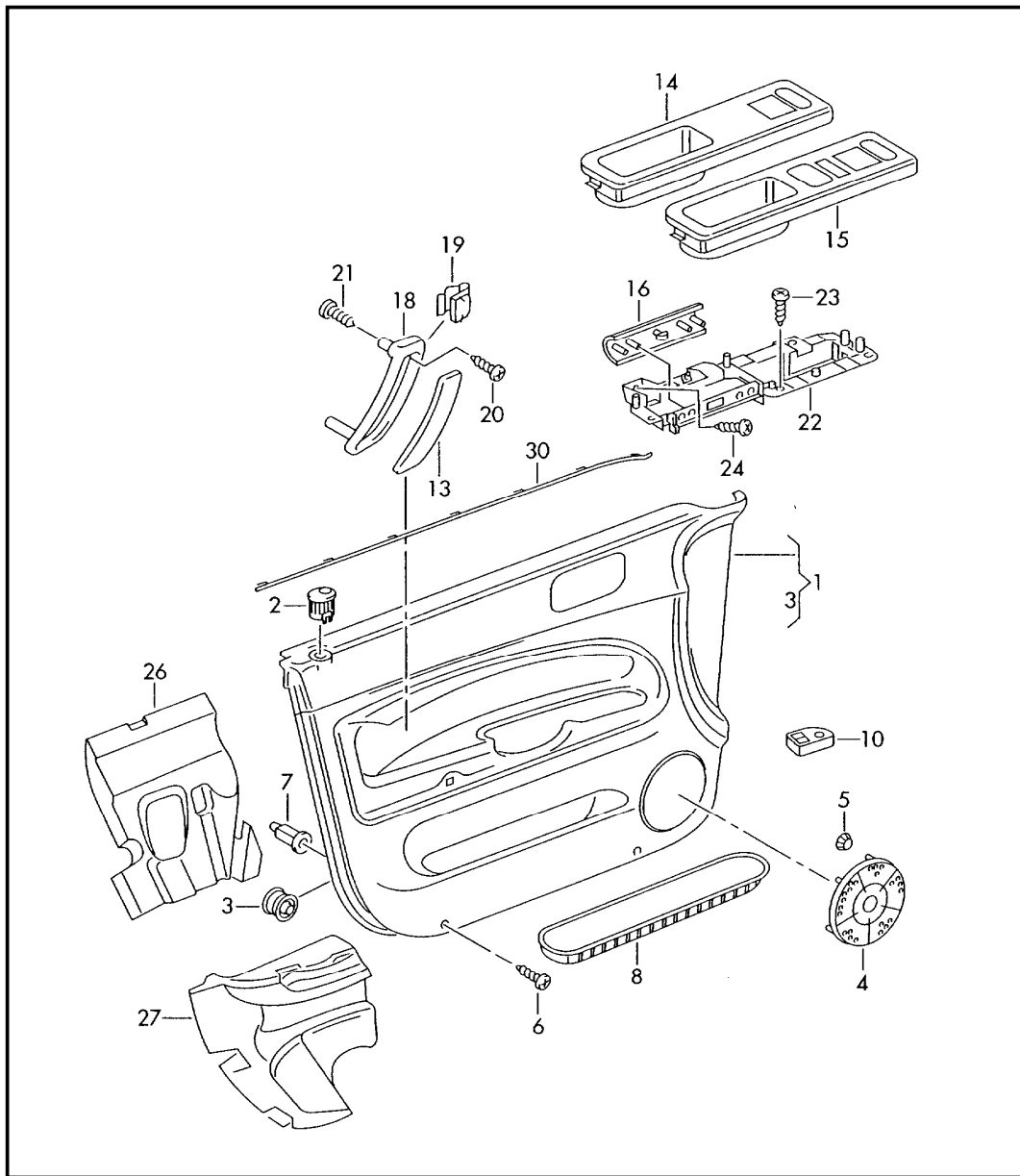


Pos	Part Number	Name	Remarks	Qty	Model
1	3B9 863 463 AA	trunk lining cover for lock carrier		1	WAGON
	05/02-10/034ES	black	-BJ, FP, GA, JJ, JL, NG, RW, VA, XR, ZA, ZR, 53		fr.wheeldrv: PR-6SL
	05/02-10/035EY	flannel grey	-FQ, GB, JC, NJ, RN, VB, ZH		
	05/02-10/0385Z	sunshine beige	-GC, JD, NH, VD, XS, ZJ, ZS, 54		
	05/02-10/0393N	petrol (green)	-TZ, XT, YU, ZT		
	11/03-06/055EY	flannel grey	-BK, FH, GU, LP, MY, ND, RV, VP, XB, 96		
	11/03-06/056BH	anthracite	-BH, BM, FA, GT, JF, LM, MX, NC, NM, QW, RU, VN, VT, XA, 92, 93, 95		
	11/03-06/0593N	petrol (green)	-JH, NQ, QZ, 94		
	11/03-06/059AA	beige	-BL, GV, JG, LT, MZ, NN, QY, VU, XE		
(1)	3B9 863 463 S	trunk lining		1	4motion
	05/02-10/034ES	black	-BJ, FP, GA, JJ, JL, NG, RW, VA, XR, ZA, ZR, 53		
	05/02-10/035EY	flannel grey	-FQ, GB, JC, NJ, RN, VB, ZH		
	05/02-10/0385Z	sunshine beige	-GC, JD, NH, VD, XS, ZJ, ZS, 54		
	05/02-10/0393N	petrol (green)	-TZ, XT, YU, ZT		
	11/03-06/055EY	flannel grey	-BK, FH, GU, LP, MY, ND, RV, VP, XB, 96		
	11/03-06/056BH	anthracite	-BH, BM, FA, GT, JF, LM, MX, NC, NM, QW, RU, VN, VT, XA, 92, 93, 95		


Model	Year	MG	SG	Illustration	Restrictions	UPD	22:07	11.12.2006		ETKA
PA	2005	8	63	863-90		597	USA			

Pos	Part Number	Name	Remarks	Qty	Model	Pos	Part Number	Name	Remarks	Qty	Model
	11/03-06/0593N	petrol (green)	-JH, NQ, QZ, 94			23	3B9 863 479 E	support	center	1	
	11/03-06/059AA	beige	-BL, GV, JG, LT, MZ, NN, QY, VU, XE				05/02-06/05B41	satin black			
1	3B9 863 463 AB	trunk lining (rubber)		1	fr.wheeldrv:	30	3B9 863 767	cover rear seat		1	
	05/02-06/05B09	black			PR-6SH		05/02-06/051BS	anthracite			
(1)	3B9 863 463 T	trunk lining (rubber)		1	4motion:	40	3B9 863 546 E	cover for spare wheel well		1	fr.wheel drv
	05/02-06/05B09	black			PR-6SH		05/02-06/05B41	satin black			
2	3B9 864 803	retaining strip trunk lining		1	4motion	41	3B9 867 468	locking tongue		2	fr.wheel drv
						42	3B9 867 467 A	rotary knob		2	fr.wheel drv
3	N 103 539 01	innensechsrund-linsenblech-schraube (kombi)	ST4, 8X16-F-Z1	5	4motion	43	3B9 827 779 A	stay - hood		1	
4	1H9 864 559	loop trunk lining		1	4motion	44	N 908 107 01	clamp	E8X16X15	1	
(10)	3B9 864 511 E	insert for floor	left	1	fr.wheel drv	45	171 823 395	rubber mounting stay - hood	16/6,2	1	
	05/02-06/05B41	satin black				46	3B9 864 519	plug		2	fr.wheel drv
(11)	3B9 864 512 E	insert for floor	right	1	fr.wheel drv		05/02-06/05B41	satin black			
	05/02-06/05B41	satin black				50	3B9 863 546 G	cover for spare wheel well		1	4motion
12		cover luggage compartment floor discontinued / replacement:	POS. 11	1	fr.wheel drv	50	3B9 863 546 G	cover for spare wheel well		1	4motion: 4-, 5-, 6-cyl.
13	N 908 315 01	pushbutton	9, 5X6X31	2			05/02-06/05B41	satin black			
+ 14	05/02-06/0501C	satin black				(50)	3B7 863 546	cover for spare wheel well		1	4motion: 8 cylinder
14	441 863 987 A	pushbutton	9, 5X12X30	X			05/02-06/05B41	satin black			
	05/02-06/05B41	satin black				51	3B9 864 409 A	bearing shell		2	4motion
15	3B9 863 988	plug	52X45X12,5	6		52	+ N 013 967 1	tapping screw, fill. hd. also use:	B4, 2X19-C N 011 664 4	X	4motion
	05/02-06/05B41	satin black								X	
(20)	1J0 864 203 D	tie-down eye		4		53	+ N 011 664 4	washer	B4, 3X12X1	4	4motion
	05/02-06/052ZZ	chrome				60	3B9 863 459 K	cover for lock carrier as required use:	POS.23	1	
21	N 103 114 01	innensechsrund-senkschraube, selbstsichernd	M6X20-F-SB	8		61	+ 3B5 863 689	clip		4	
22	3B9 864 517 B	support	left a. right	2	fr.wheel drv	62		cap see illustration:	827-20		


Model	Year	MG	SG	Illustration	Restrictions	UPD	22:07	11.12.2006		ETKA
PA	2005	8	67	867-00		597	USA			




Pos	Part Number	Name	Remarks	Qty	Model
		door trim panel	front		sedan
		as required use:	3B0 868 645	1	
			3B0 868 149	1	
			N 900 151 01	6	
			3B0 947 415	1	
(1)	3B1 867 011 CL	door trim panel (cloth)	left	1	PR-3LD
	05/02-10/03PDK	black	-GA		
	05/02-10/03PEA	platinum/flannel grey	-GB		
	05/02-10/03PEB	platin/sun beige	-GC		
	11/03-06/05RRM	anthracite	-GT		
	11/03-06/05RRN	anthracite/flannel gray	-GU		
	11/03-06/05RRP	pure beige/root brown	-GV		
(1)	3B0 867 012 BD	door trim panel (cloth)	right	1	PR-3LD
	05/02-10/03PDK	black	-GA		
	05/02-10/03PEA	platinum/flannel grey	-GB		
	05/02-10/03PEB	platin/sun beige	-GC		
	11/03-06/05RRM	anthracite	-GT		
	11/03-06/05RRN	anthracite/flannel gray	-GU		
	11/03-06/05RRP	pure beige/root brown	-GV		
(1)	3B1 867 011 CP	door trim panel (leather/leatherette)	left	1	PR-3LJ+QJ0
	05/02-10/03LGR	platinum gray - dark	-TX, VB, ZH, JC		
	05/02-10/03LGV	platin/sun beige	-TY, VD, YT, ZJ, ZS, JD, XS		
	05/02-10/03LHK	black/petrol (black/green)	-TZ, YU, ZT, XT		
	05/02-10/03LLL	black/black	-TW, VA, YY, ZA, ZR, JJ, JL, YR		
	11/03-06/05RRQ	anthracite	-BH, JF, LM, MX, NM, QW, VN, VT, XA, 93, 95		
	11/03-06/05RRR	flannel grey/anthracite	-BK, LP, MY, VP		
	11/03-06/05RRS	pure beige/root brown	-BL, JG, LT, MZ, NN, QY, VU, XE		

Model	Year	MG	SG	Illustration	Restrictions	UPD	22:07	11.12.2006		ETKA
PA	2005	8	67	867-00		597	USA			


Pos	Part Number	Name	Remarks	Qty	Model	Pos	Part Number	Name	Remarks	Qty	Model
(1)	3B0 867 012 CH	door trim panel (leather/leatherette)	right	1	PR-3LJ+QJ0		05/02-10/03NAH	black	-TW, XR, YY, ZR, VA		
	05/02-10/03LGR	platinum gray - dark	-TX, VB, ZH, JC				11/03-06/05SEH	anthracite	-JF, LM, NM, QW, XA		
	05/02-10/03LGV	platin/sun beige	-TY, VD, YT, ZJ, ZS, JD, XS				11/03-06/05SEJ	anthracite/flannel gray	-LP, XB		
	05/02-10/03LLL	black/black	-TW, VA, YY, ZA, ZR, JJ, JL, YR				11/03-06/05SEK	pure beige/root brown	-JG, LT, NN, QY, XE		
	11/03-06/05RRQ	anthracite	-BH, JF, LM, MX, NM, QW, VN, VT, XA				11/03-06/05SEL	petrol/anthracite	-JH, NQ, QZ		
	11/03-06/05RRR	flannel grey/anthracite	-BK, LP, MY, VP			(1)	3B0 867 012 DC	door trim panel (leather/leatherette) for vehicles with chromed mouldings	right lhd	1	PR-3LJ+QJ1+ 4F1, 4K3
	11/03-06/05RRS	pure beige/root brown	-BL, JG, LT, MZ, NN, QY, VU, XE				05/02-10/03NAE	platinum/flannel grey	-TX, VB		
(1)	3B1 867 011 DH	door trim panel (leather/leatherette) for vehicles with chromed mouldings	left	1	PR-3LJ+QJ1		05/02-10/03NAF	platin/sun beige	-TY, XS, YT, ZS, VD		
	05/02-10/03NAE	platinum/flannel grey	-TX, VB				05/02-10/03NAG	petrol/anthracite	-TZ, XT, YU, ZT		
	05/02-10/03NAF	platin/sun beige	-TY, XS, YT, ZS, VD				05/02-10/03NAH	black	-TW, XR, YY, ZR, VA		
	05/02-10/03NAG	petrol/anthracite	-TZ, XT, YU, ZT				11/03-06/05SEH	anthracite	-JF, LM, NM, QW, XA		
	05/02-10/03NAH	black	-TW, XR, YY, ZR, VA				11/03-06/05SEJ	anthracite/flannel gray	-LP, XB		
	11/03-06/05SEH	anthracite	-JF, LM, NM, QW, XA				11/03-06/05SEK	pure beige/root brown	-JG, LT, NN, QY, XE		
	11/03-06/05SEJ	anthracite/flannel gray	-LP, XB				11/03-06/05SEL	petrol/anthracite	-JH, NQ, QZ		
	11/03-06/05SEK	pure beige/root brown	-JG, LT, NN, QY, XE					single parts			sedan
	11/03-06/05SEL	petrol/anthracite	-JH, NQ, QZ			(2)	3B0 867 109	escutcheon (passenger side)		1	
(1)	3B0 867 012 DB	door trim panel (leather/leatherette) for vehicles with chromed mouldings	right lhd	1	PR-3LJ+QJ1+ 4K0		05/02-06/0501C	satin black		2	
	05/02-10/03NAE	platinum/flannel grey	-TX, VB			3 +	3B0 868 243	clip		12	
	05/02-10/03NAF	platin/sun beige	-TY, XS, YT, ZS, VD			(4)	3B0 868 149	loudspeaker grille		4	
	05/02-10/03NAG	petrol/anthracite	-TZ, XT, YU, ZT				05/02-10/03B41	satin black	-GA, NG, VA, ZA, BJ, JJ, RW, XR, ZR, FP, JL, TW, YY, 53		

Model	Year	MG	SG	Illustration	Restrictions	UPD	22:07	11.12.2006		ETKA
PA	2005	8	67	867-00		597	USA			


Pos	Part Number	Name	Remarks	Qty	Model	Pos	Part Number	Name	Remarks	Qty	Model
	05/02-06/05U71	flannel grey	-JC, TX, FQ, NJ, VB, GB, RN, ZH, BK, FH, GU, LP, MY, ND, RV, VP, XB			(8)	3B0 868 134	insert for stowage box	right front	1	
	05/02-10/037H7	sunshine beige	-NH, XS, ZS, GC, TY, YT, JD, VD, ZJ, 54				05/02-10/0301C	satin black	-GA, NG, VA, ZA, BJ, JJ, RW, XR, ZR, FP, JL, TW, YY, 53		
	11/03-06/057G8	beige	-BL, GV, JG, LT, MZ, NN, QY, VU, XE				05/02-06/054EW	flannel grey	-FJ, FQ, GB, JC, NJ, RN, TX, VB, ZH, BK, FH, GU, LP, MY, ND, RV, VP, XB		
	11/03-06/0571N	anthracite	-BH, BM, FA, GT, JF, LM, MX, NC, NM, QW, RU, VN, VT, XA, 93, 95				05/02-10/0389J	sunshine beige	-NH, XS, ZS, GC, TY, YT, JD, VD, ZJ, 54		
5	+ N 900 151 01	clamping washer	B-5X11,4	12			11/03-06/057G8	beige	-BL, GV, JG, LT, MZ, NN, QY, VU, XE		
-	3B0 035 217	loudspeaker frame sealing frame		X			11/03-06/0571N	anthracite	-BH, BM, FA, GT, JF, LM, MX, NC, NM, QW, RU, VN, VT, XA, 93, 95		
6	N 907 397 01	tapping screw	5X22-Q	4							
7	+ N 105 168 01	expanding nut	F5	2		10		switch bracket not a spare part contained in key:	1		
(8)	3B0 868 133 B	insert for stowage box	left front	1							
	05/02-10/0301C	satin black	-GA, NG, VA, ZA, BJ, JJ, RW, XR, ZR, FP, JL, TW, YY, 53			(13)	3B0 867 172	cover	right lhd	1	PR-5MA
	05/02-06/054EW	flannel grey	-JC, TX, FQ, NJ, VB, GB, RN, ZH, BK, FH, GU, LP, MY, ND, RV, VP, XB				05/02-10/03A94	satin black	-BJ, FP, GA, NG, VA		
	05/02-10/0389J	sunshine beige	-NH, XS, ZS, GC, TY, YT, JD, VD, ZJ, 54				05/02-06/057DE	flannel grey	-FQ, GB, NJ, VB, FH, GU, LP, ND		
	05/02-06/0592P	petrol (green)	-YU, TZ, ZT, XT, JH, NQ, QZ			(13)	3B0 867 172 B	cover	right lhd	1	PR-5MD
	11/03-06/0571N	anthracite	-BH, BM, FA, GT, JF, LM, MX, NC, NM, QW, RU, VN, VT, XA, 93, 95				05/02-06/052ZS	black/brown-netoptic			
	11/03-06/057G8	beige	-BL, GV, JG, LT, MZ, NN, QY, VU, XE			(13)	3B0 867 172 A	cover	right lhd	1	
							05/02-06/052WE	burr walnut			PR-5MG
							05/02-01/046H3	zebrano (brown)	-53, 54		PR-5TX
							05/02-10/0393G	vavona (amber)			PR-5TW

Model	Year	MG	SG	Illustration	Restrictions	UPD	22:07	11.12.2006		ETKA
PA	2005	8	67	867-00		597	USA			


Pos	Part Number	Name	Remarks	Qty	Model	Pos	Part Number	Name	Remarks	Qty	Model
(14)	11/03-06/054BA	tamo (root brown)			PR-5TK	(15)	3B1 867 171 F	cover for vehicles with electrically operated windows	left lhd	1	PR-5MG+4R3
	01/04-06/055BA	popular grain (brown)	-93,94		PR-5TX			for vehicles with wood inlay	front and rear bright		
	3B1 867 171 D	cover for vehicles with electrically operated windows	left front	1	PR-5MA+4R2		05/02-10/03FEQ	satin black/nut	-JJ, RW, ZA, FP, JL, VA, ZR, GA, NG, XR		
	05/02-10/03A94	satin black	-BJ, FP, GA, NG, VA				05/02-06/05FRK	flannel grey/nut brown	-JC, VB, FQ, NJ, ZH, GB, RN, FH, GU, LP, MY, ND, RV, VP		
	05/02-06/057DE	flannel grey	-FQ, GB, NJ, VB, FH, GU, LP, ND				05/02-10/03LXY	sunshine beige	-VD, ZS, GC, XS, JD, ZJ		
	05/02-10/0392Y	sunshine beige	-GC, NH, VD				11/03-06/05SCK	anthracite/nut brown	-FA, GT, JF, LM, MX, NC, NM, RU, VN, VT		
(15)	11/03-06/0575R	anthracite	-BM, FA, GT, LM, NC				11/03-06/05SCL	pure beige/nut tree	-GV, JG, LT, MZ, NN, VU		
	11/03-06/057R3	beige	-GV, LT			(15)	3B1 867 171 F	cover for vehicles with electrically operated windows	left lhd	1	PR-5TW+4R3
	3B1 867 171 E	cover for vehicles with electrically operated windows	left front and rear	1	PR-5MA+4R3			for vehicles with wood inlay	front and rear bright		
	05/02-10/03A94	satin black	-BJ, FP, GA, NG, VA				05/02-10/03MAK	sunshine beige	-VD, ZS, GC, XS, JD, ZJ		
	05/02-06/057DE	flannel grey	-FQ, GB, NJ, VB, FH, GU, LP, ND				05/02-10/03MAH	satin black	-JL, XR, GA, RW, ZA, JJ, VA, ZR		
	05/02-10/0392Y	sunshine beige	-GC, NH, VD				05/02-10/03MAJ	flannel grey	-RN, GB, VB, JC, ZH		
(15)	11/03-06/057R3	beige	-BL, GV, LT			(15)	3B7 867 171	finger plate, upper part for vehicles with wood inlay	left lhd	1	8-cylinder+ PR-5MG
	11/03-06/0575R	anthracite	-BM, FA, GT, LM, NC				05/02-10/03FEQ	satin black/nut	-TW, XR, YY, ZR, VA		
	3B1 867 171 C	cover for vehicles with electrically operated windows	left front and rear	1	PR-5MD+4R3		05/02-06/05FRK	flannel grey/nut brown	-TX, VB, LP, XB		
	05/02-10/03FEM	satin black/alum	-JL, XR, GA, RW, ZA, JJ, VA, ZR				05/02-10/03LXY	sunshine beige	-TY, XS, YT, ZS, VD		
	05/02-06/05FEN	flannel grey/alum	-RN, GB, VB, JC, ZH, GU, LP, MY, RV, VP				05/02-06/05LXZ	petrol/nut brown	-TZ, XT, YU, ZT, JH, NQ, QZ		
	05/02-10/03LYA	sunshine beige	-GC, JD, VD, XS, ZJ, ZS				11/03-06/05SCK	anthracite/nut brown	-JF, LM, NM, QW, XA		
11/03-06/05SDK	anthracite/aluminium	-GT, JF, LM, MX, NM, RU, VN, VT									
11/03-06/05SDL	pure beige/aluminium	-GV, JG, LT, MZ, NN, VU									

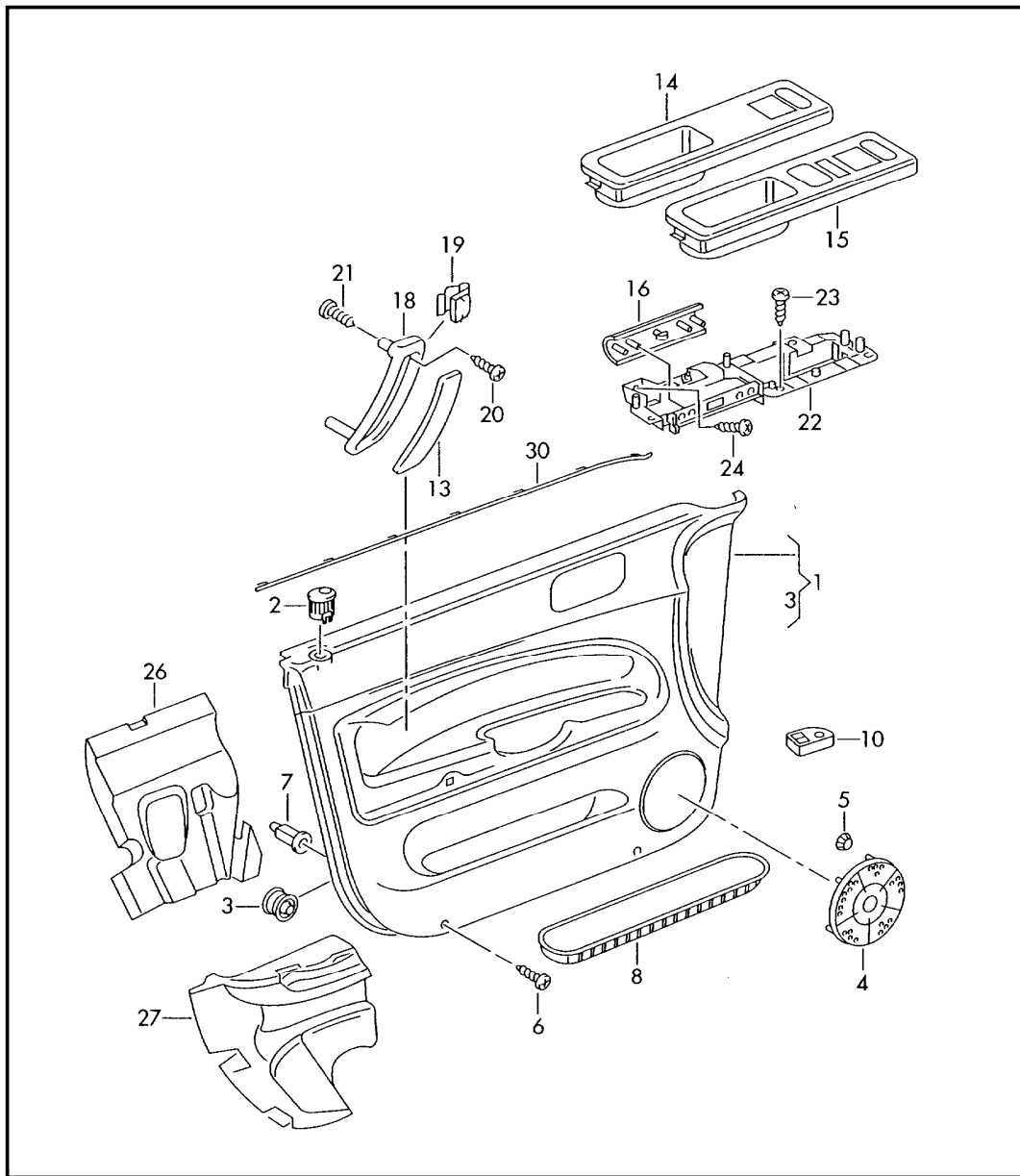
Model	Year	MG	SG	Illustration	Restrictions	UPD	22:07	11.12.2006		ETKA
PA	2005	8	67	867-00		597	USA			

Pos	Part Number	Name	Remarks	Qty	Model	Pos	Part Number	Name	Remarks	Qty	Model
	11/03-06/05SCL	pure beige/nut tree	-JG, LT, NN, QY, XE				05/02-10/03A94	satin black	-BJ, FP, GA, JJ, JL, NG, RW, TW, VA, XR, YY, ZA, ZR, 53		
16	3B0 867 175	cover		1	PR-5MA, 5MD		05/02-06/057DE	flannel grey	-FQ, GB, JC, NJ, RN, TX, VB, ZH, BK, FH, GU, LP, MY, ND, RV, VP, XB		
	05/02-10/03A94	satin black	-GA, NG, XR, BJ, JJ, RW, ZA, FP, JL, VA, ZR				05/02-10/0392Y	sunshine beige	-GC, JD, NH, TY, VD, XS, YT, ZJ, ZS, 54		
	05/02-10/037DE	flannel grey	-JC, VB, FQ, NJ, ZH, GB, RN, TX				11/03-06/057R3	beige	-BL, GV, JG, LT, MZ, NN, QY, VU, XE		
	05/02-10/0392Y	sunshine beige	-NH, ZJ, GC, VD, ZS, JD, XS				11/03-06/0575R	anthracite	-BH, BM, FA, GT, JF, LM, MX, NC, NM, QW, RU, VN, VT, XA, 93, 95		
16	3B0 867 175	cover		1	PR-5C7+5MG						
	05/02-10/03A94	satin black	-TW, VA, XR, YY, ZR								
	05/02-10/037DE	flannel grey	-TX, VB								
	05/02-10/0392Y	sunshine beige	-TY, VD, XS, YT, ZS								
(16)	3B0 867 175 A	cover for vehicles with wood inlay	bright	1		19	N 907 468 01	clamp	E3, 2X12, 5X12, 7	4	
	05/02-10/032WE	burr walnut			PR-5MG	20	N 102 434 01	fillister hd. screw	M6, 0X20	4	
	05/02-10/0393G	vavona (amber)			PR-5TW	21	N 905 942 01	tapping screw, fill.hd. (combi.)	E4X16	4	
16	3B0 867 175	cover		1		(22)	3B1 867 179 C	grab handle	left lhd	1	
	11/03-06/057DE	flannel grey	-BK, FH, FQ, GB, GU, JC, LP, MR, MY, ND, NJ, RN, RV, TX, VB, VP, XB				05/02-06/05B41	satin black			
	11/03-06/057R3	beige	-BL, GV, JG, LT, MZ, NN, QY, VU, XE			23	N 905 942 01	tapping screw, fill.hd. (combi.)	E4X16	5	
	11/03-06/0575R	anthracite	-BH, BM, FA, GT, JF, LM, MQ, MX, NC, NM, QW, RU, VN, VT, JF, 93, 95			-	3B0 867 190	spring clip		10	
	11/03-06/0593R	petrol (green)	-JH, NQ, QZ, TZ, XF, XT, YU, ZT, 94			26	---	no longer available			
(18)	3B0 867 180 A	grab handle	right lhd	1		27	---	no longer available			
						30	3B0 853 299	molding for door trim panel	left front	1	PR-QJ1
							05/02-06/052ZZ	chrome			
						(30)	3B0 853 300	molding for door trim panel	right front	1	PR-QJ1
							05/02-06/052ZZ	chrome			
						-	8L0 857 113 A	lock cylinder with keys		1	


Model	Year	MG	SG	Illustration	Restrictions	UPD	22:07	11.12.2006		ETKA
PA	2005	8	67	867-00		597	USA			

Pos	Part Number	Name	Remarks	Qty	Model	Pos	Part Number	Name	Remarks	Qty	Model
-	f 107 857 113 JB	lock cylinder without key * to retain the one key * system the key code * number and/or vehicle * ident.number (vin) must * be quoted when ordering	HUF	1							


Model	Year	MG	SG	Illustration	Restrictions	UPD	22:08	11.12.2006		ETKA
PA	2005	8	67	867-10		597	USA			




Pos	Part Number	Name	Remarks	Qty	Model
		door trim panel	front		wagon
		as required use:	3B0 868 645	1	
			3B0 868 149	1	
			N 900 151 01	6	
			3B0 947 415	1	
(1)	3B1 867 011 DD	door trim panel (cloth)	left	1	PR-3LD
	05/02-10/03PDK	black	-GA		
	05/02-10/03PEA	platinum/flannel grey	-GB		
	05/02-10/03PEB	platin/sun beige	-GC		
	11/03-06/05RRM	anthracite	-GT		
	11/03-06/05RRN	anthracite/flannel gray	-GU		
	11/03-06/05RRP	pure beige/root brown	-GV		
(1)	3B0 867 012 BD	door trim panel (cloth)	right	1	PR-3LD
	05/02-10/03PDK	black	-GA		
	05/02-10/03PEA	platinum/flannel grey	-GB		
	05/02-10/03PEB	platin/sun beige	-GC		
	11/03-06/05RRM	anthracite	-GT		
	11/03-06/05RRN	anthracite/flannel gray	-GU		
	11/03-06/05RRP	pure beige/root brown	-GV		
(1)	3B1 867 011 DF	door trim panel (leather/leatherette)	left lhd	1	PR-3LJ+QJ0
	05/02-10/03LGR	platinum gray - dark	-TX, VB, ZH, JC		
	05/02-10/03LGV	platin/sun beige	-TY, VD, YT, ZJ, ZS, JD, XS, 54		
	05/02-10/03LHK	black/petrol (black/green)	-TZ, YU, ZT, XT		
	05/02-10/03LLL	black/black	-TW, VA, YY, ZA, ZR, JJ, JL, XR,		
	11/03-06/05RRQ	anthracite	-BH, JF, LM, MX, NM, QW, VN, VT, XA, 93, 95		
	11/03-06/05RRR	flannel grey/anthracite	-BK, LP, MY, VP		
	11/03-06/05RRS	pure beige/root brown	-BL, JG, LT, MZ, NN, QY, VU, XE		

Model	Year	MG	SG	Illustration	Restrictions	UPD	22:08	11.12.2006		ETKA
PA	2005	8	67	867-10		597	USA			


Pos	Part Number	Name	Remarks	Qty	Model	Pos	Part Number	Name	Remarks	Qty	Model
(1)	3B0 867 012 CH	door trim panel (leather/leatherette)	right	1	PR-3LJ+QJ0		05/02-10/03NAH	black	-TW, XR, YY, ZR, VA		
	05/02-10/03LGR	platinum gray - dark	-TX, VB, ZH, JC				11/03-06/05SEH	anthracite	-JF, LM, NM, QW, XA		
	05/02-10/03LGV	platin/sun beige	-TY, VD, YT, ZJ, ZS, JD, XS				11/03-06/05SEJ	anthracite/flannel gray	-LP, XB		
	05/02-10/03LLL	black/black	-TW, VA, YY, ZA, ZR, JJ, JL, XR				11/03-06/05SEK	pure beige/root brown	-JG, LT, NN, QY, XE		
	11/03-06/05RRQ	anthracite	-BH, JF, LM, MX, NM, QW, VN, VT, XA				11/03-06/05SEL	petrol/anthracite	-JH, NQ, QZ		
	11/03-06/05RRR	flannel grey/anthracite	-BK, LP, MY, VP			(1)	3B0 867 012 DC	door trim panel (leather/leatherette) for vehicles with chromed mouldings	right lhd	1	PR-3LJ+QJ1+ 4F1, 4K3
	11/03-06/05RRS	pure beige/root brown	-BL, JG, LT, MZ, NN, QY, VU, XE				05/02-10/03NAE	platinum/flannel grey	-TX, VB		
(1)	3B1 867 011 DJ	door trim panel (leather/leatherette) for vehicles with chromed mouldings	left lhd	1	PR-3LJ+QJ1		05/02-10/03NAF	platin/sun beige	-TY, XS, YT, ZS, VD		
	05/02-10/03NAE	platinum/flannel grey	-TX, VB				05/02-10/03NAG	petrol/anthracite	-TZ, XT, YU, ZT		
	05/02-10/03NAF	platin/sun beige	-TY, XS, YT, ZS, VD				05/02-10/03NAH	black	-TW, XR, YY, ZR, VA		
	05/02-10/03NAG	petrol/anthracite	-TZ, XT, YU, ZT				11/03-06/05SEH	anthracite	-JF, LM, NM, QW, XA		
	05/02-10/03NAH	black	-TW, XR, YY, ZR, VA				11/03-06/05SEL	petrol/anthracite	-JH, NQ, QZ		
	11/03-06/05SEH	anthracite	-JF, LM, NM, QW, XA				11/03-06/05SEK	pure beige/root brown	-JG, LT, NN, QY, XE		
	11/03-06/05SEJ	anthracite/flannel gray	-LP, XB				11/03-06/05SEJ	anthracite/flannel gray	-LP, XB		
	11/03-06/05SEK	pure beige/root brown	-JG, LT, NN, QY, XE					single parts			wagon
	11/03-06/05SEL	petrol/anthracite	-JH, NQ, QZ			(2)	3B0 867 109	escutcheon (passenger side)		1	
(1)	3B0 867 012 DB	door trim panel (leather/leatherette) for vehicles with chromed mouldings	right lhd	1	PR-3LJ+QJ1+ 4K0		05/02-06/0501C	satin black		2	
	05/02-10/03NAE	platinum/flannel grey	-TX, VB			3 +	3B0 868 243	clip		12	
	05/02-10/03NAF	platin/sun beige	-TY, XS, YT, ZS, VD			(4)	3B0 868 149	loudspeaker grille for vehicles with 4 loudspeakers for vehicles with 8 loudspeakers	front front and rear	2 4	
	05/02-10/03NAG	petrol/anthracite	-TZ, XT, YU, ZT								

Model	Year	MG	SG	Illustration	Restrictions	UPD	22:08	11.12.2006		ETKA
PA	2005	8	67	867-10		597	USA			


Pos	Part Number	Name	Remarks	Qty	Model	Pos	Part Number	Name	Remarks	Qty	Model
	05/02-10/03B41	satin black	-GA, NG, VA, ZA, BJ, JJ, RW, XR, ZR, FP, JL, TW, YY, 53				11/03-06/057G8	beige	-BL, GV, JG, LT, MZ, NN, QY, VU, XE		
	05/02-06/05U71	flannel grey	-JC, TX, FQ, NJ, VB, GB, RN, ZH, BK, FH, GU, LP, MY, ND, RV, VP, XB			(8)	3B0 868 134	insert for stowage box	right front	1	
	05/02-10/037H7	sunshine beige	-NH, XS, ZS, GC, TY, YT, JD, VD, ZJ, 54				05/02-10/0301C	satin black	-GA, NG, VA, ZA, BJ, JJ, RW, XR, ZR, FP, JL, TW, YY, 53		
	11/03-06/057G8	beige	-BL, GV, JG, LT, MZ, NN, QY, VU, XE				05/02-06/054EW	flannel grey	-JC, TX, FQ, NJ, VB, GB, RN, ZH, BK, FH, GU, LP, MY, ND, RV, VP, XB		
	11/03-06/0571N	anthracite	-BH, BM, FA, GT, JF, LM, MX, NC, NM, QW, RU, VN, VT, XA, 93, 95				05/02-10/0389J	sunshine beige	-NH, XS, ZS, GC, TY, YT, JD, VD, ZJ, 54		
5	+ N 900 151 01	clamping washer	B-5X11, 4	12			11/03-06/057G8	beige	-BL, GV, JG, LT, MZ, NN, QY, VU, XE		
-	3B0 035 217	loudspeaker frame sealing frame		X			11/03-06/0571N	anthracite	-BH, BM, FA, GT, JF, LM, MX, NC, NM, QW, RU, VN, VT, XA, 93, 95		
6	N 907 397 01	tapping screw	5X22-Q	4							
7	+ N 105 168 01	expanding nut	F5	2		10		switch bracket not a spare part contained in key:	1		
(8)	3B0 868 133 B	insert for stowage box	left front	1		(13)	3B0 867 172	cover	right lhd	1	PR-5MA
	05/02-10/0301C	satin black	-GA, NG, VA, ZA, BJ, JJ, RW, XR, ZR, FP, JL, TW, YY, 53				05/02-10/03A94	satin black	-BJ, FP, GA, NG, VA		
	05/02-06/054EW	flannel grey	-JC, TX, FQ, NJ, VB, GB, RN, ZH, BK, FH, GU, LP, MY, ND, RV, VP, XB				05/02-06/057DE	flannel grey	-FQ, GB, NJ, VB, FH, GU, LP, ND		
	05/02-10/0389J	sunshine beige	-NH, XS, ZS, GC, TY, YT, JD, VD, ZJ, 54				05/02-10/0392Y	sunshine beige	-GC, NH, VD		
	05/02-06/0592P	petrol (green)	-YU, TZ, ZT, XT, JH, NQ, QZ				11/03-06/057R3	beige	-BL, GV, LT		
	11/03-06/0571N	anthracite	-BH, BM, FA, GT, JF, LM, MX, NC, NM, QW, RU, VN, VT, XA, 93, 95				11/03-06/0575R	anthracite	-BM, FA, GT, LM, NC		
						(13)	3B0 867 172 B	cover	right lhd	1	PR-5MD
							05/02-06/052ZS	black/brown-netoptic			
						(13)	3B0 867 172 A	cover	right lhd	1	PR-5MG
							05/02-06/052WE	burr walnut			

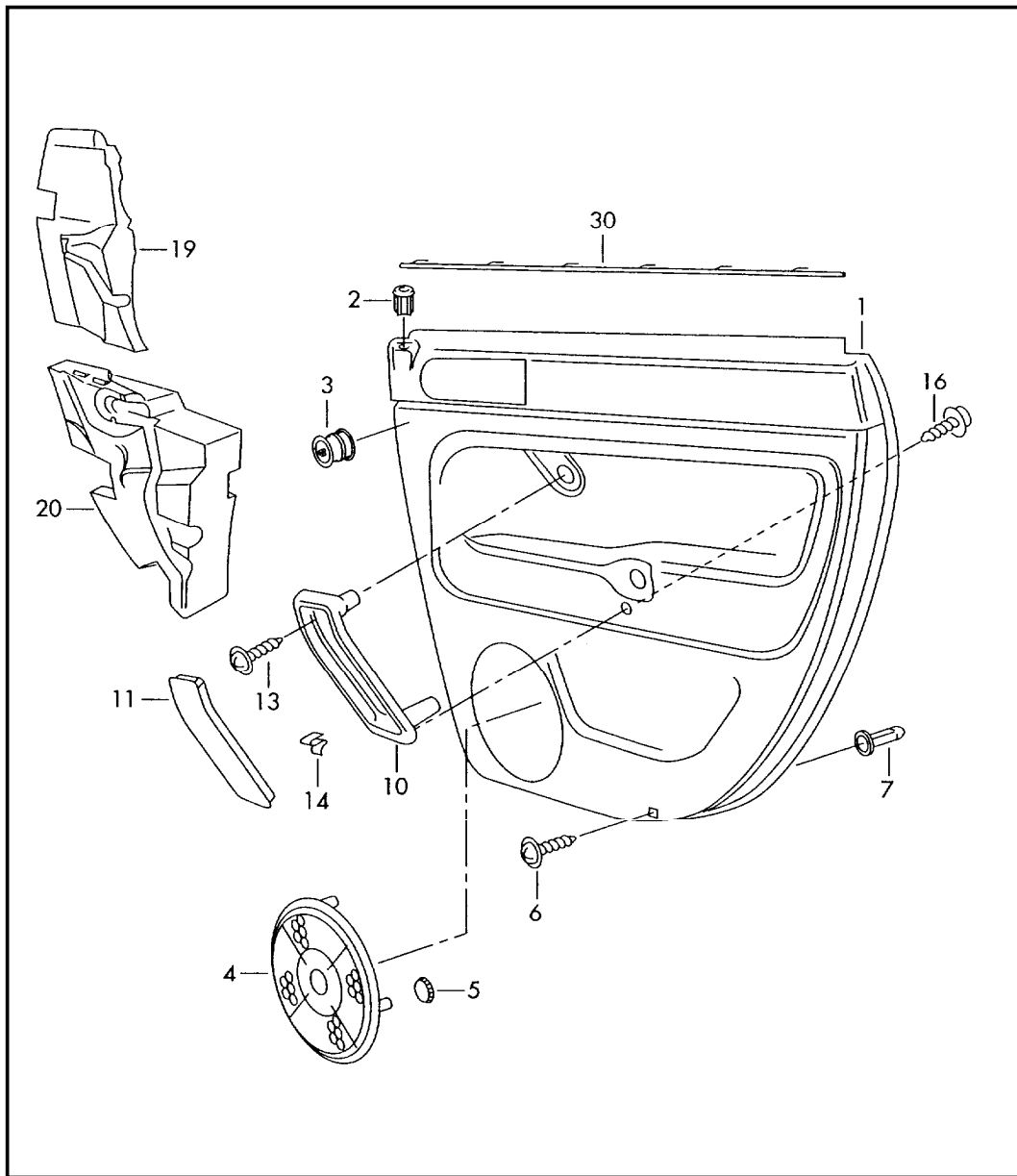
Model	Year	MG	SG	Illustration	Restrictions	UPD	22:08	11.12.2006		ETKA
PA	2005	8	67	867-10		597	USA			

Pos	Part Number	Name	Remarks	Qty	Model	Pos	Part Number	Name	Remarks	Qty	Model	
	05/02-01/046H3	zebrano (brown)	-53,54		PR-5TX		11/03-06/05SDK	anthracite/aluminium	-GT, JF, LM, MX, NM, RU, VN, VT			
	05/02-10/0393G	vavona (amber)			PR-5TW		11/03-06/05SDL	pure beige/aluminium	-GV, JG, LT, MZ, NN, VU			
	11/03-06/054BA	tamo (root brown)			PR-5TK							
	01/04-06/055BA	popular grain (brown)	-93,94		PR-5TX	(15)	3B1 867 171 F	cover for vehicles with electrically operated windows	left lhd	1	PR-5MG+4R3	
(14)	3B1 867 171 D	cover for vehicles with electrically operated windows	left front	lhd	1	PR-5MA+4R2		cover for vehicles with electrically operated windows for vehicles with wood inlay	front and rear bright			
	05/02-10/03A94	satin black	-BJ, FP, GA, NG, VA				05/02-10/03FEQ	satin black/nut	-JJ, RW, ZA, FP, JL, VA, ZR, GA, NG, XR			
	05/02-06/057DE	flannel grey	-FQ, GB, NJ, VB, FH, GU, LP, ND				05/02-06/05FRK	flannel grey/nut brown	-JC, VB, FQ, NJ, ZH, GB, RN, FH, GU, LP, MY, ND, RV, VP			
	05/02-10/0392Y	sunshine beige	-GC, NH, VD				05/02-10/03LXY	sunshine beige	-VD, ZS, GC, XS, JD, ZJ			
	11/03-06/057R3	beige	-GV, LT				11/03-06/05SCK	anthracite/nut brown	-FA, GT, JF, LM, MX, NC, NM, RU, VN, VT			
(15)	3B1 867 171 E	cover for vehicles with electrically operated windows	left front and rear	lhd	1	PR-5MA+4R3		11/03-06/05SCL	pure beige/nut tree	-GV, JG, LT, MZ, NN, VU		
	05/02-10/03A94	satin black	-BJ, FP, GA, NG, VA				(15)	3B1 867 171 F	cover for vehicles with electrically operated windows for vehicles with wood inlay	left lhd	1	PR-5TW+4R3
	05/02-06/057DE	flannel grey	-FQ, GB, NJ, VB, FH, GU, LP, ND					05/02-10/03MAK	sunshine beige	-VD, ZS, GC, XS, JD, ZJ		
	05/02-10/0392Y	sunshine beige	-GC, NH, VD					05/02-10/03MAH	satin black	-JL, XR, GA, RW, ZA, JJ, VA, ZR		
	11/03-06/057R3	beige	-BL, GV, LT					05/02-10/03MAJ	flannel grey	-RN, GB, VB, JC, ZH		
	11/03-06/0575R	anthracite	-BM, FA, GT, LM, NC				(15)	3B7 867 171	finger plate, upper part for vehicles with wood inlay	left lhd	1	8-cylinder+ PR-5MG
(15)	3B1 867 171 C	cover for vehicles with electrically operated windows	left front and rear	lhd	1	PR-5MD+4R3		05/02-10/03FEQ	satin black/nut	-TW, XR, YY, ZR, VA		
	05/02-10/03FEM	satin black/alum	-JL, XR, GA, RW, ZA, JJ, VA, ZR					05/02-06/05FRK	flannel grey/nut brown	-TX, VB, LP, XB		
	05/02-06/05FEN	flannel grey/alum	-RN, GB, VB, JC, ZH, GU, LP, MY, RV, VP					05/02-10/03LXY	sunshine beige	-TY, XS, YT, ZS, VD		
	05/02-10/03LYA	sunshine beige	-GC, JD, VD, XS, ZJ, ZS									


Model	Year	MG	SG	Illustration	Restrictions	UPD	22:08	11.12.2006		ETKA
PA	2005	8	67	867-10		597	USA			

Pos	Part Number	Name	Remarks	Qty	Model	Pos	Part Number	Name	Remarks	Qty	Model
	05/02-06/05LXZ	petrol/nut brown	-TZ, XT, YU, ZT, JH, NQ, QZ				11/03-06/0593R	petrol (green)	-JH, NQ, QZ, TZ, XF, XT, YU, ZT, 94		
	11/03-06/05SCK	anthracite/nut brown	-JF, LM, NM, QW, XA			(18)	3B0 867 180 A	grab handle	right lhd	1	
	11/03-06/05SCL	pure beige/nut tree	-JG, LT, NN, QY, XE				05/02-10/03A94	satin black	-BJ, FP, GA, JJ, JL, NG, RW, TW, VA, XR, YY, ZA, ZR, 53		
16	3B0 867 175	cover		1	PR-5MA, 5MD		05/02-06/057DE	flannel grey	-FQ, GB, JC, NJ, RN, TX, VB, ZH, BK, FH, GU, LP, MY, ND, RV, VP, XB		
	05/02-10/03A94	satin black	-GA, NG, XR, BJ, JJ, RW, ZA, FP, JL, VA, ZR, 53				05/02-10/0392Y	sunshine beige	-GC, JD, NH, TY, VD, XS, YT, ZJ, ZS, 54		
	05/02-10/037DE	flannel grey	-JC, VB, FQ, NJ, ZH, GB, RN				11/03-06/057R3	beige	-BL, GV, JG, LT, MZ, NN, QY, VU, XE		
	05/02-10/0392Y	sunshine beige	-NH, ZJ, GC, VD, ZS, JD, XS				11/03-06/0575R	anthracite	-BH, BM, FA, GT, JF, LM, MX, NC, NM, QW, RU, VN, VT, XA, 93, 95		
16	3B0 867 175	cover		1	PR-5C7+5MG		N 907 468 01	clamp	E3, 2X12, 5X12, 7	4	
	05/02-10/03A94	satin black	-TW, VA, XR, YY, ZR				N 102 434 01	fillister hd. screw	M6, 0X20	4	
	05/02-10/037DE	flannel grey	-TX, VB				N 905 942 01	tapping screw, fill.hd. (combi.)	E4X16	4	
	05/02-10/0392Y	sunshine beige	-TY, VD, XS, YT, ZS			(22)	3B1 867 179 C	grab handle	left lhd	1	
(16)	3B0 867 175 A	cover for vehicles with wood inlay	bright	1	PR-5MG		05/02-06/05B41	satin black			
	05/02-10/032WE	burr walnut			PR-5TW		N 905 942 01	tapping screw, fill.hd. (combi.)	E4X16	5	
	05/02-10/0393G	vavona (amber)					-	3B0 867 190	spring clip	10	
16	3B0 867 175	cover		1			---	---	no longer available		
	11/03-06/057DE	flannel grey	-BK, FH, FQ, GB, GU, JC, LP, MR, MY, ND, NJ, RN, RV, TX, VB, VP, XB				---	---	no longer available		
	11/03-06/057R3	beige	-BL, GV, JG, LT, MZ, NN, QY, VU, XE				30	3B0 853 299	molding for door trim panel	1	PR-QJ1
	11/03-06/0575R	anthracite	-BH, BM, FA, GT, JF, LM, MQ, MX, NC, NM, QW, RU, VN, VT, JF, 93, 95			(30)	05/02-06/052ZZ	chrome			
							3B0 853 300	molding for door trim panel	right front	1	PR-QJ1
							05/02-06/052ZZ	chrome			


Model	Year	MG	SG	Illustration	Restrictions	UPD	22:08	11.12.2006		ETKA
PA	2005	8	67	867-40		597	USA			




Pos	Part Number	Name	Remarks	Qty	Model
		door trim panel	rear		sedan
		as required use:	3B0 868 645	1	
			3B0 868 149	1	
			N 900 151 01	6	
			3B0 947 415	1	
		----- modify in workshop: for vehicles with manually operated windows -----			
(1)	3B5 867 211 AH	door trim panel (cloth)	left	1	PR-3LD+QJ0
	05/02-10/03LGJ	flannel grey	-GB		
	05/02-10/03LGK	sunshine beige	-GC		
	05/02-10/03LLF	black/black	-GA		
	11/03-06/05RRM	anthracite	-GT		
	11/03-06/05RRN	anthracite/flannel gray	-GU		
	11/03-06/05RRP	pure beige/root brown	-GV		
(1)	3B5 867 212 AH	door trim panel (cloth)	right	1	PR-3LD+QJ0
	05/02-10/03LGJ	flannel grey	-GB		
	05/02-10/03LGK	sunshine beige	-GC		
	05/02-10/03LLF	black/black	-GA		
	11/03-06/05RRM	anthracite	-GT		
	11/03-06/05RRN	anthracite/flannel gray	-GU		
	11/03-06/05RRP	pure beige/root brown	-GV		
(1)	3B5 867 211 BM	door trim panel (leather/leatherette)	left	1	PR-3LJ+QJ0
	05/02-10/03LGR	platinum gray - dark	-TX, VB, ZH, JC		
	05/02-10/03LGV	platin/sun beige	-TY, VD, YT, ZJ,		
	05/02-10/03LHK	black/petrol (black/green)	-TZ, YU, ZT, XT		
	05/02-10/03LLL	black/black	-TW, VA, YY, ZA,		
	11/03-06/05RRQ	anthracite	-BH, JF, LM, MX, NM, QW, VN, VT, XA, 93, 95		
	11/03-06/05RRR	flannel grey/anthracite	-BK, LP, MY, VP		

Model	Year	MG	SG	Illustration	Restrictions	UPD	22:08	11.12.2006		ETKA
PA	2005	8	67	867-40		597	USA			


Pos	Part Number	Name	Remarks	Qty	Model	Pos	Part Number	Name	Remarks	Qty	Model
	11/03-06/05RRS	pure beige/root brown	-BL, JG, LT, MZ, NN, QY, VU, XE				05/02-10/03NAF	platin/sun beige	-TY, XS, YT, ZS, VD		
(1)	3B5 867 212 BM	door trim panel (leather/leatherette)	right	1	PR-3LJ+QJ0		05/02-10/03NAG	petrol/anthracite	-TZ, XT, YU, ZT		
	05/02-10/03LGR	platinum gray - dark	-TX, VB, ZH, JC				05/02-10/03NAH	black	-TW, XR, YY, ZR, VA		
	05/02-10/03LGV	platin/sun beige	-TY, VD, YT, ZJ, ZS, JD, XS, 54				11/03-06/05SEH	anthracite	-JF, LM, NM, QW, XA		
	05/02-10/03LHK	black/petrol (black/green)	-TZ, YU, ZT, XT				11/03-06/05SEJ	anthracite/flannel gray	-LP, XB		
	05/02-10/03LLL	black/black	-TW, VA, YY, ZA, ZR, JJ, JL, XR, 53				11/03-06/05SEK	pure beige/root brown	-JG, LT, NN, QY, XE		
	11/03-06/05RRQ	anthracite	-BH, JF, LM, MX, NM, QW, VN, VT, XA, 93, 95				11/03-06/05SEL	petrol/anthracite	-JH, NQ, QZ		
	11/03-06/05RRR	flannel grey/anthracite	-BK, LP, MY, VP					door trim panel	rear		wagon
	11/03-06/05RRS	pure beige/root brown	-BL, JG, LT, MZ, NN, QY, VU, XE					as required use:	3B0 868 645	1	
(1)	3B5 867 211 BQ	door trim panel (leather/leatherette) for vehicles with chromed mouldings	left	1	PR-3LJ+QJ1	(1)	3B9 867 211 AH	door trim panel (cloth)	left	1	PR-3LD+QJ0
	05/02-10/03NAE	platinum/flannel grey	-TX, VB				05/02-10/03LGJ	flannel grey	-GB		
	05/02-10/03NAF	platin/sun beige	-TY, XS, YT, ZS, VD				05/02-10/03LGK	sunshine beige	-GC		
	05/02-10/03NAG	petrol/anthracite	-TZ, XT, YU, ZT				05/02-10/03LLF	black/black	-GA		
	05/02-10/03NAH	black	-TW, XR, YY, ZR, VA				11/03-06/05RRM	anthracite	-GT		
	11/03-06/05SEH	anthracite	-JF, LM, NM, QW, XA				11/03-06/05RRN	anthracite/flannel gray	-GU		
	11/03-06/05SEJ	anthracite/flannel gray	-LP, XB				11/03-06/05RRP	pure beige/root brown	-GV		
	11/03-06/05SEK	pure beige/root brown	-JG, LT, NN, QY, XE			(1)	3B9 867 212 AH	door trim panel (cloth)	right	1	PR-3LD+QJ0
	11/03-06/05SEL	petrol/anthracite	-JH, NQ, QZ				05/02-10/03LGJ	flannel grey	-GB		
(1)	3B5 867 212 BQ	door trim panel (leather/leatherette) for vehicles with chromed mouldings	right	1	PR-3LJ+QJ1		05/02-10/03LGK	sunshine beige	-GC		
	05/02-10/03NAE	platinum/flannel grey	-TX, VB				05/02-10/03LLF	black/black	-GA		
							11/03-06/05RRM	anthracite	-GT		
							11/03-06/05RRN	anthracite/flannel gray	-GU		
							11/03-06/05RRP	pure beige/root brown	-GV		
						(1)	3B9 867 211 BM	door trim panel (leather/leatherette)	left	1	PR-3LJ+QJ0

Model	Year	MG	SG	Illustration	Restrictions	UPD	22:08	11.12.2006		ETKA
PA	2005	8	67	867-40		597	USA			


Pos	Part Number	Name	Remarks	Qty	Model	Pos	Part Number	Name	Remarks	Qty	Model
	05/02-10/03LGR	platinum gray - dark	-TX, VB, ZH, JC				05/02-10/037H7	sunshine beige	-NH, XS, ZS, GC, TY, YT, JD, VD, ZJ, 54		
	05/02-10/03LGV	platin/sun beige	-TY, VD, YT, ZJ, ZS, JD, XS, 54				05/02-06/0592F	petrol (green)	-YU, TZ, ZT, XT, JH, NQ, QZ, 94		
	05/02-10/03LHK	black/petrol (black/green)	-TZ, YU, ZT, XT				11/03-06/057G8	beige	-BL, GV, JG, LT, MZ, NN, QY, VU, XE		
	05/02-10/03LLL	black/black	-TW, VA, YY, ZA, ZR, JJ, JL, XR, 53				11/03-06/0571N	anthracite	-BH, BM, FA, GT, JF, LM, MX, NC, NM, QW, RU, VN, VT, XA, 93, 95		
	11/03-06/05RRQ	anthracite	-BH, JF, LM, MX, NM, QW, VN, VT, XA, 93, 95			(4)	3B0 868 149	loudspeaker grille for vehicles with 8 loudspeakers		2	
	11/03-06/05RRR	flannel grey/anthracite	-BK, LP, MY, VP				05/02-10/03B41	satin black	-GA, NG, VA, ZA, BJ, JJ, RW, XR, ZR, FP, JL, TW, YY, 53		
	11/03-06/05RRS	pure beige/root brown	-BL, JG, LT, MZ, NN, QY, VU, XE				05/02-06/05U71	flannel grey	-JC, TX, FQ, NJ, VB, GB, RN, ZH, BK, FH, GU, LP, MY, ND, RV, VP, XB		
(1)	3B9 867 212 BM	door trim panel (leather/leatherette)	right	1	PR-3LJ+QJ0		05/02-10/037H7	sunshine beige	-NH, XS, ZS, GC, TY, YT, JD, VD, ZJ, 54		
	05/02-10/03LGR	platinum gray - dark	-TX, VB, ZH, JC				11/03-06/057G8	beige	-BL, GV, JG, LT, MZ, NN, QY, VU, XE		
	05/02-10/03LGV	platin/sun beige	-TY, VD, YT, ZJ, ZS, JD, XS, 54				11/03-06/0571N	anthracite	-BH, BM, FA, GT, JF, LM, MX, NC, NM, QW, RU, VN, VT, XA, 93, 95		
	05/02-10/03LHK	black/petrol (black/green)	-TZ, YU, ZT, XT				5 + N 900 151 01	clamping washer	B-5X11, 4	12	
	05/02-10/03LLL	black/black	-TW, VA, YY, ZA, ZR, JJ, JL, XR, 53				-	3B0 035 217	loudspeaker frame sealing frame	X	
	11/03-06/05RRQ	anthracite	-BH, JF, LM, MX, NM, QW, VN, VT, XA, 93, 95				6 N 907 397 01	tapping screw	5X22-Q	4	
	11/03-06/05RRR	flannel grey/anthracite	-BK, LP, MY, VP				7 + N 105 168 01	expanding nut	F5	2	
	11/03-06/05RRS	pure beige/root brown	-BL, JG, LT, MZ, NN, QY, VU, XE			(10)	3B4 867 179 A	grab handle	left	1	
		single parts									
2	3B4 867 109	escutcheon		2							
	05/02-06/0501C	satin black									
3 +	3B0 868 243	clip		12							
(4)	3B0 868 645	loudspeaker grille-dummy for vehicles with 4 loudspeakers		2							

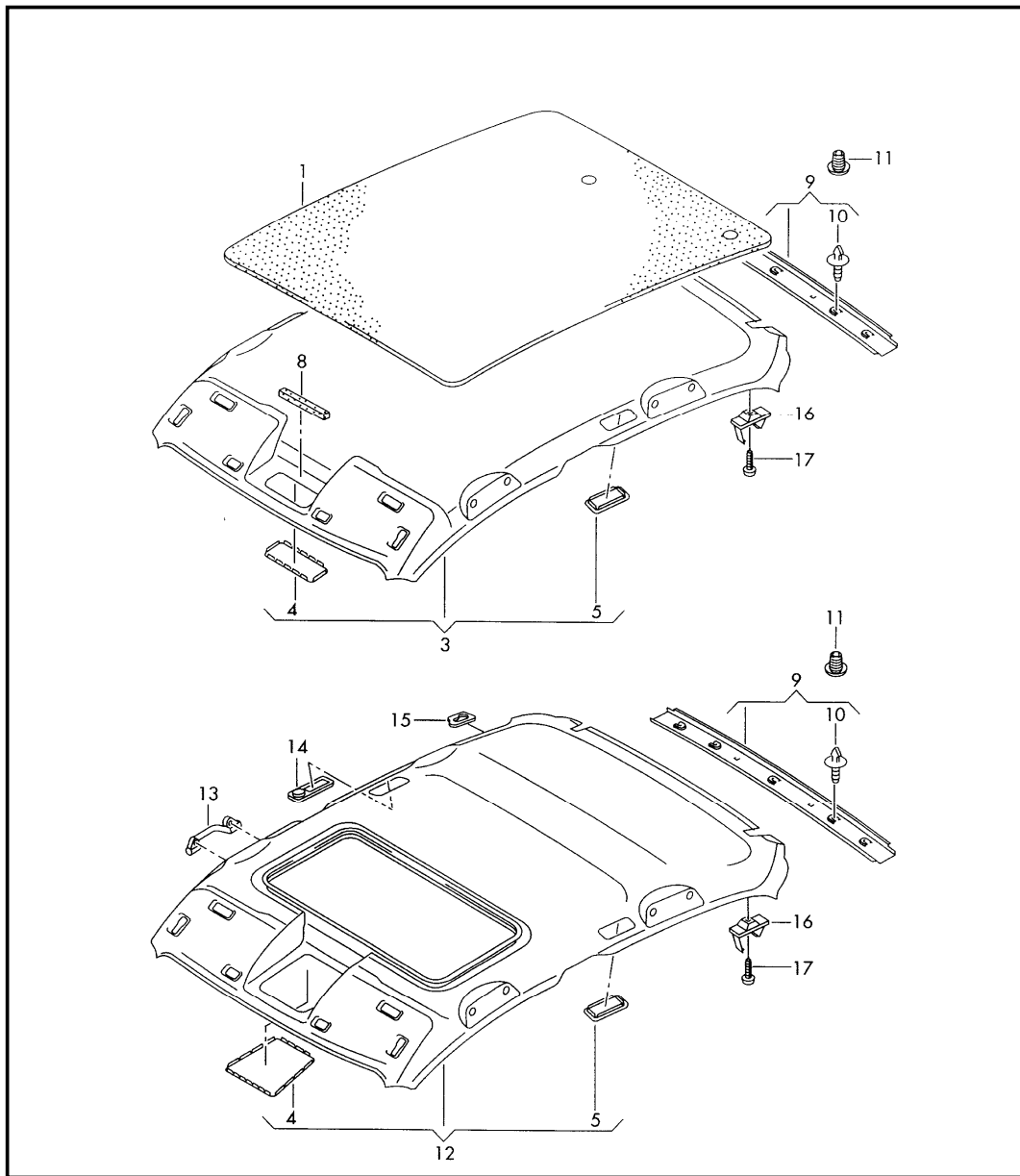
Model	Year	MG	SG	Illustration	Restrictions	UPD	22:08	11.12.2006		ETKA
PA	2005	8	67	867-40		597	USA			

Pos	Part Number	Name	Remarks	Qty	Model	Pos	Part Number	Name	Remarks	Qty	Model
	05/02-10/03A94	satin black	-GA, NG, VA, ZA, BJ, JJ, RW, XR, ZR, FP, JL, TW, YY, 53				05/02-10/0392Y	sunshine beige	-GC, NH, VD		
	05/02-06/057DE	flannel grey	-FQ, GB, JC, NJ, RN, TX, VB, ZH, BK, FH, GU, LP, MY, ND, RV, VP, XB				11/03-06/057R3	beige	-BL, GV, LT		
	05/02-10/0392Y	sunshine beige	-NH, XS, ZS, GC, TY, YT, JD, VD, ZJ, 54				11/03-06/0575R	anthracite	-BM, FA, GT, LM, NC		
	11/03-06/057R3	beige	-BL, GV, JG, LT, MZ, NN, QY, VU, XE			(11)	3B4 867 372	cover	right	1	PR-5MA
	11/03-06/0575R	anthracite	-BH, BM, FA, GT, JF, LM, MX, NC, NM, QW, RU, VN, VT, XA, 93, 95				05/02-10/03A94	satin black	-BJ, FP, GA, NG, VA		
(10)	3B4 867 180 A	grab handle	right	1			05/02-06/057DE	flannel grey	-FQ, GB, JC, NJ, VB, ZH, BK, FH, GU, LP, MY, ND, RV, VP, XB		
	05/02-10/03A94	satin black	-GA, NG, VA, ZA, BJ, JJ, RW, XR, ZR, FP, JL, TW, YY, 53				05/02-10/0392Y	sunshine beige	-GC, NH, VD		
	05/02-06/057DE	flannel grey	-FQ, GB, JC, NJ, RN, TX, VB, ZH, BK, FH, GU, LP, MY, ND, RV, VP, XB				11/03-06/057R3	beige	-BL, GV, LT		
	05/02-10/0392Y	sunshine beige	-NH, XS, ZS, GC, TY, YT, JD, VD, ZJ, 54			(11)	3B4 867 371 A	cover	left	1	
	11/03-06/057R3	beige	-BL, GV, JG, LT, MZ, NN, QY, VU, XE				05/02-06/052WE	burr walnut			PR-5MG
	11/03-06/0575R	anthracite	-BH, BM, FA, GT, JF, LM, MX, NC, NM, QW, RU, VN, VT, XA, 93, 95				05/02-10/0393G	vavona (amber)			PR-5TW
(11)	3B4 867 371	cover	left	1	PR-5MA		11/03-06/054BA	tamo (root brown)			PR-5TK
	05/02-10/03A94	satin black	-BJ, FP, GA, NG, VA				01/04-06/055BA	popular grain (brown)			PR-5TX
	05/02-06/057DE	flannel grey	-FQ, GB, JC, NJ, RN, TX, VB, ZH, BK, FH, GU, LP, MY, ND, RV, VP, XB				(11)	3B4 867 372 A	cover	right	1
							05/02-06/052WE	burr walnut			PR-5MG
							05/02-10/0393G	vavona (amber)			PR-5TW
							11/03-06/054BA	tamo (root brown)			PR-5TK
							01/04-06/055BA	popular grain (brown)			PR-5TX
						(11)	3B4 867 371 B	cover	left	1	PR-5MD
							05/02-06/052ZS	black/brown-netoptic			
						(11)	3B4 867 372 B	cover	right	1	PR-5MD
							05/02-06/052ZS	black/brown-netoptic			
						13	N 102 434 01	fillister hd. screw	M6, 0X20	4	
						14	N 907 468 01	clamp	E3, 2X12, 5X12, 7	4	
						16	N 905 942 01	tapping screw, fill.hd. (combi.)	E4X16	4	
						(19)	3B0 868 473 A	impact padding	left upper	1	


Model	Year	MG	SG	Illustration	Restrictions	UPD	22:08	11.12.2006		ETKA
PA	2005	8	67	867-40		597	USA			

Pos	Part Number	Name	Remarks	Qty	Model	Pos	Part Number	Name	Remarks	Qty	Model
19	3B0 868 474 A	impact padding	right upper	1							
(20)	3B0 868 301	impact padding	left lower	1							
20	3B0 868 302	impact padding	right lower	1							
(30)	3B4 853 981	molding for door trim panel	left rear	1	PR-QJ1						
	05/02-06/052ZZ	chrome									
30	3B4 853 982	molding for door trim panel	right rear	1	PR-QJ1						
	05/02-06/052ZZ	chrome									


Model	Year	MG	SG	Illustration	Restrictions	UPD	22:08	11.12.2006		ETKA
PA	2005	8	67	867-55		597	USA			




Pos	Part Number	Name	Remarks	Qty	Model
		headlining to fit use workshop material for vehicles with net partition for vehicles with multimedia option			
(1)	3B0 867 811 A	sound absorber for roof to fit use workshop material	front	1	
(1)	3B5 867 811 H	sound absorber for roof to fit use workshop material	rear	1	sedan
(1)	3B9 867 811 B	sound absorber for roof to fit use workshop material	rear	1	wagon
-	323 863 950	sound absorber (adhesive) 'order qty. 6' to fit use workshop material	550X250X2	X	
(3)	3B5 867 501 DD	moulded headlining		1	limousine+ PR-4X0,4X1
	05/02-10/034R4	sunshine beige	-GC, JD, NH, TY, VD, XS, YT, ZJ, ZS, 54		
	05/02-10/036K8	pearl grey	-BJ, FP, FQ, GA, GB, JC, JJ, JL, NG, RN, RW, TW, TX, TZ, VA, VB, XR, XT, YU, YY, ZA, ZH, ZR, ZT, NJ, 53		
	11/03-06/056K8	pearl grey	-BH, BK, BM, FA, FH, GT, GU, JF, JH, LM, LP, MX, MY, NC, ND, NM, NQ, QW, QZ, RU, RV, VN, VP, VT, XA, XB, 92, 93, 94, 95, 96		
	11/03-06/053U5	beige	-BL, GV, JG, LT, MZ, NN, QY, VU, XE		
(3)	3B5 867 501 DR	moulded headlining for vehicles with head airbag and deformation element		1	sedan
	05/02-08/024R4	sunshine beige			
	05/02-08/026K8	pearl grey			

Model	Year	MG	SG	Illustration	Restrictions	UPD	22:08	11.12.2006		ETKA
PA	2005	8	67	867-55		597	USA			


Pos	Part Number	Name	Remarks	Qty	Model	Pos	Part Number	Name	Remarks	Qty	Model
(3)	3B5 867 501 ED	moulded headlining for vehicles with head airbag and deformation element		1	sedan	(3)	3B9 867 501 CH	moulded headlining for vehicles with head airbag and deformation element		1	variant+ PR-4X8
	09/02-05/034R4	sunshine beige	-GC, VD				09/02-05/034R4	sunshine beige	-GC, VD		
	09/02-05/036K8	pearl grey	-GA, GB, VA, VB			(3)	3B9 867 501 DE	moulded headlining for vehicles with head airbag and deformation element		1	variant+ PR-4X8
(3)	3B5 867 501 ED	moulded headlining for vehicles with head airbag and deformation element		1	sedan		06/03-10/034R4	sunshine beige	-GC, VD		
	06/03-10/034R4	sunshine beige	-GC, VD				05/02-10/036K8	pearl grey	-GA, GB, VA, VB		
	06/03-10/036K8	pearl grey	-GA, GB, VA, VB				11/03-06/056K8	pearl grey	-BH, BK, GT, GU, LM, LP		
	11/03-06/056K8	pearl grey	-BH, BK, GT, GU, LM, LP				11/03-06/053U5	beige	-BL, GV, LT		
	11/03-06/053U5	beige	-BL, GV, LT			4	3B0 867 599 A	reinforcement interior light	front	1	
(3)	3B9 867 501 CL	moulded headlining		1	variant+ PR-4X0, 4X1	(4)	3B0 867 599	reinforcement interior light for vehicles with glass sliding and tilting roof	front	1	sedan
	05/02-10/034R4	sunshine beige	-GC, JD, NH, TY, VD, XS, YT, ZJ, ZS, 54				(4)	3B9 867 599	reinforcement interior light for vehicles with glass sliding and tilting roof	1	wagon
	05/02-10/036K8	pearl grey	-BJ, FP, FQ, GA, GB, JC, JJ, JL, NG, NJ, RN, RW, TW, TX, TZ, VA, VB, XR, XT, YU, YY, ZA, ZH, ZR, ZT, 53				5	3B0 867 600	reinforcement interior light	1	
	11/03-06/056K8	pearl grey	-BH, BK, BM, FA, FH, GT, GU, JF, JH, LM, LP, MX, MY, NC, ND, NM, NQ, QW, QZ, RU, RV, VN, VP, VT, XA, XB, 92, 93, 94, 95, 96				8	3B0 867 596	spacer to fit use workshop material	1	
	11/03-06/053U5	beige	-BL, GV, JG, LT, MZ, NN, QY, VU, XE			(9)	3B9 867 617 D	connecting strip		1	wagon
							05/02-10/034R4	sunshine beige	-GC, JD, NH, TY, VD, XS, YT, ZJ, ZS, 54		
							05/02-10/036K8	pearl grey	-BJ, FP, FQ, GA, GB, JC, JJ, JL, NG, NJ, RN, RW, TW, TX, TZ, VA, VB, XR, XT, YU, YY, ZA, ZH, ZR, ZT, 53		
(3)	3B9 867 501 BH	moulded headlining for vehicles with head airbag and deformation element		1	variant+ PR-4X8						
	05/02-08/024R4	sunshine beige									

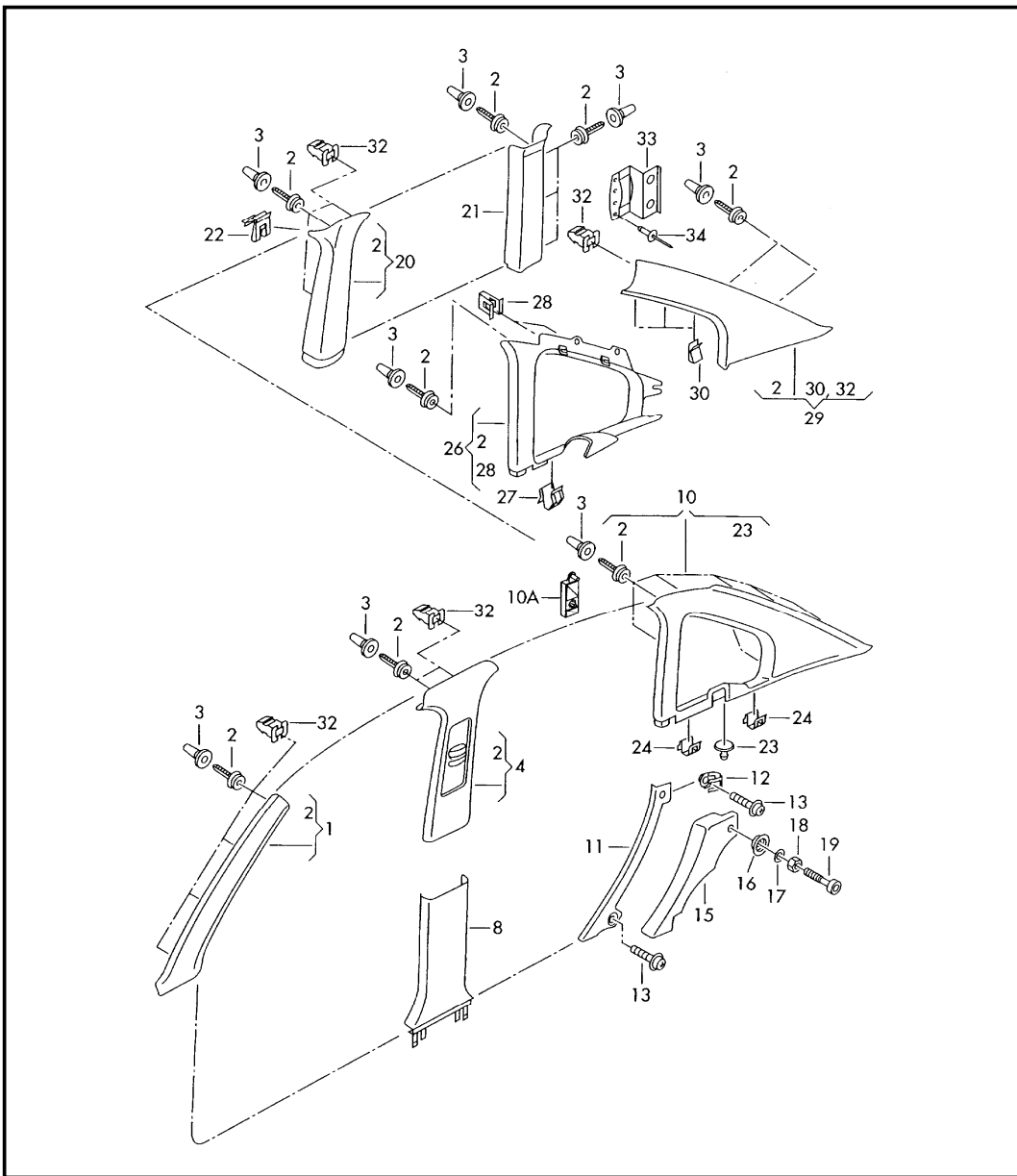
Model	Year	MG	SG	Illustration	Restrictions	UPD	22:08	11.12.2006		ETKA
PA	2005	8	67	867-55		597	USA			

Pos	Part Number	Name	Remarks	Qty	Model	Pos	Part Number	Name	Remarks	Qty	Model
	11/03-06/056K8	pearl grey	-BH, BK, BM, FA, FH, GT, GU, JF, JH, LM, LP, MX, MY, NC, ND, NM, NQ, QW, QZ, RU, RV, VN, VP, VT, XA, XB, 92, 93, 94, 95, 96				11/03-06/053U5	beige	-BL, GV, JG, LT, MZ, NN, QY, VU, XE		
	11/03-06/053U5	beige	-BL, GV, JG, LT, MZ, NN, QY, VU, XE			(12)	3B9 867 501 CB	moulded headlining for vehicles with glass sliding and tilting roof		1	variant+ PR-4X0,4X1
	11/03-06/053U5	beige	-BL, GV, JG, LT, MZ, NN, QY, VU, XE				05/02-02/034R4	sunshine beige	-GC, JD, NH, TY, VD, XS, YT, ZJ, ZS, 54		
10	+ 3B0 867 333	clip		1		(12)	3B9 867 501 CN	moulded headlining for vehicles with glass sliding and tilting roof		1	variant+ PR-4X0,4X1
11	3B0 867 334	grommet		1			03/03-10/034R4	sunshine beige	-GC, JD, NH, TY, VD, XS, YT, ZJ, ZS, 54		
(12)	3B5 867 501 DF	moulded headlining for vehicles with glass sliding and tilting roof		1	limousine+ PR-4X0,4X1		05/02-10/036K8	pearl grey	-BJ, FP, FQ, GA, GB, JC, JJ, JL, NG, NJ, RN, RW, TW, TX, TZ, VA, VB, XR, XT, YU, YY, ZA, ZH, ZR, ZT, 53		
	05/02-10/034R4	sunshine beige	-GC, JD, NH, TY, VD, XS, YT, ZJ, ZS, 54				11/03-06/056K8	pearl grey	-BH, BK, BM, FA, FH, GT, GU, JF, JH, LM, LP, MX, MY, NC, ND, NM, NQ, QW, QZ, RU, RV, VN, VP, VT, XA, XB, 92, 93, 94, 95, 96		
	05/02-10/036K8	pearl grey	-BJ, FP, FQ, GA, GB, JC, JJ, JL, NG, RN, RW, TW, TX, TZ, VA, VB, XR, XT, YU, YY, ZA, ZH, ZR, ZT, 53				11/03-06/053U5	beige	-BL, GV, JG, LT, MZ, NN, QY, VU, XE		
	11/03-06/056K8	pearl grey	-BH, BK, BM, FA, FH, GT, GU, JF, JH, LM, LP, MX, MY, NC, ND, NM, NQ, QW, QZ, RU, RV, VN, VP, VT, XA, XB, 92, 93, 94, 95, 96			(12)	3B9 867 501 DF	moulded headlining for vehicles with sliding roof for vehicles with head airbag and deformation element		1	variant+ PR-4X8
	11/03-06/053U5	beige	-BL, GV, JG, LT, MZ, NN, QY, VU, XE				05/02-10/034R4	sunshine beige	-GC, VD		
(12)	3B5 867 501 EF	moulded headlining for vehicles with sliding roof for vehicles with head airbag and deformation element		1	limousine+ PR-4X8		05/02-10/036K8	pearl grey	-GA, GB, VA, VB		
	05/02-10/034R4	sunshine beige	-GC, VD				11/03-06/056K8	pearl grey	-BH, BK, GT, GU, LM, LP		
	05/02-10/036K8	pearl grey	-GA, GB, VA, VB				11/03-06/053U5	beige	-BL, GV, JG, LT, MZ, NN, QY, VU, XE		
	11/03-06/056K8	pearl grey	-BH, BK, GT, GU, LM, LP								


Model	Year	MG	SG	Illustration	Restrictions	UPD	22:08	11.12.2006		ETKA
PA	2005	8	67	867-55		597	USA			

Pos	Part Number	Name	Remarks	Qty	Model	Pos	Part Number	Name	Remarks	Qty	Model
13		grab handle	see illustration:								
			857-50								
14-17		coat hook fasteners	see illustration:								
			861-00								


Model	Year	MG	SG	Illustration	Restrictions	UPD	22:08	11.12.2006		ETKA
PA	2005	8	67	867-65		597	USA			




Pos	Part Number	Name	Remarks	Qty	Model
(1)	3B0 867 233 B	pillar linings			
	05/02-10/034R4	lining, pillar a	left upper	1	PR-4X0,4X1
		sunshine beige	-GC, JD, NH, TY, VD, XS, YT, ZJ, ZS, 54		
	05/02-10/036K8	pearl grey	-BJ, FP, FQ, GA, GB, JC, JJ, JL, NG, RN, RW, TW, TX, TZ, VA, VB, XR, XT, YU, YY, ZA, ZH, ZR, NJ, ZT, 53		
	11/03-06/056K8	pearl grey	-BH, BK, BM, FA, FH, GT, GU, JF, JH, LM, LP, MX, MY, NC, ND, NM, NQ, QW, QZ, RU, RV, VN, VP, VT, XA, XB, 93, 94, 95		
	11/03-06/053U5	beige	-BL, GV, JG, LT, MZ, NN, QY, VU, XE		
(1)	3B0 867 234 B	lining, pillar a	right upper	1	PR-4X0,4X1
	05/02-10/034R4	sunshine beige	-GC, JD, NH, TY, VD, XS, YT, ZJ, ZS, 54		
	05/02-10/036K8	pearl grey	-BJ, FP, FQ, GA, GB, JC, JJ, JL, NG, RN, RW, TW, TX, TZ, VA, VB, XR, XT, YU, YY, ZA, ZH, ZR, NJ, ZT, 53		
	11/03-06/056K8	pearl grey	-BH, BK, BM, FA, FH, GT, GU, JF, JH, LM, LP, MX, MY, NC, ND, NM, NQ, QW, QZ, RU, RV, VN, VP, VT, XA, XB, 93, 94, 95		
	11/03-06/053U5	beige	-BL, GV, JG, LT, MZ, NN, QY, VU, XE		

Model	Year	MG	SG	Illustration	Restrictions	UPD	22:08	11.12.2006		ETKA
PA	2005	8	67	867-65		597	USA			


Pos	Part Number	Name	Remarks	Qty	Model	Pos	Part Number	Name	Remarks	Qty	Model
(1)	3B0 867 351 J	lining, pillar a for vehicles with head airbag contains additional positions:	left upper 32	1		(1)	3B0 867 351 B	lining, pillar a for vehicles with head airbag and deformation element contains additional positions:	left upper 32	1	PR-4X8
	09/03-10/034R4	sunshine beige	-GC, JD, NH, TY, VD, XS, YT, ZJ, ZS				05/02-12/026K8	pearl grey	-GA, GB, VA, VB		
	05/02-10/036K8	pearl grey	-BJ, FP, FQ, GA, GB, JC, JJ, JL, NG, NJ, RN, RW, TW, TX, TZ, VA, VB, XR, XT, YU, YY, ZA, ZH, ZR, ZT			(1)	3B0 867 351 H	lining, pillar a for vehicles with side and head airbag contains additional positions:	left upper 32	1	PR-4X8
	11/03-06/056K8	pearl grey	-BH, BK, BM, FA, FH, GT, GU, JF, JH, LM, LP, MX, MY, NC, ND, NM, NQ, QW, QZ, RU, RV, VN, VP, VT, XA, XB			(1)	3B0 867 351 L	lining, pillar a for vehicles with side and head airbag contains additional positions:	left upper 32	1	
	11/03-06/053U5	beige	-BL, GV, JG, LT, MZ, NN, QY, VU, XE				05/02-10/034R4	sunshine beige	-GC, VD		
							01/03-10/036K8	pearl grey	-GA, GB, VA, VB		
							11/03-06/056K8	pearl grey	-BH, BK, GT, GU, LM, LP		
							11/03-06/053U5	beige	-BL, GV, LT		
(1)	3B0 867 352 J	lining, pillar a for vehicles with head airbag contains additional positions:	right upper 32	1		(1)	3B0 867 352 H	lining, pillar a for vehicles with side and head airbag contains additional positions:	right upper 32	1	PR-4X8
	05/02-10/034R4	sunshine beige	-GC, JD, NH, TY, VD, XS, YT, ZJ, ZS				05/02-12/026K8	pearl grey	-GA, GB, VA, VB		
	05/02-10/036K8	pearl grey	-BJ, FP, FQ, GA, GB, JC, JJ, JL, NG, NJ, RN, RW, TW, TX, TZ, VA, VB, XR, XT, YU, YY, ZA, ZH, ZR, ZT			(1)	3B0 867 352 L	lining, pillar a for vehicles with side and head airbag contains additional positions:	right upper 32	1	PR-4X8
	11/03-06/056K8	pearl grey	-BH, BK, BM, FA, FH, GT, GU, JF, JH, LM, LP, MX, MY, NC, ND, NM, NQ, QW, QZ, RU, RV, VN, VP, VT, XA, XB			(1)	3B0 867 352 L	lining, pillar a for vehicles with side and head airbag contains additional positions:	right upper 32	1	PR-4X8
	11/03-06/053U5	beige	-BL, GV, JG, LT, MZ, NN, QY, VU, XE				01/03-10/034R4	sunshine beige	-GC, VD		
							01/03-10/036K8	pearl grey	-GA, GB, VA, VB		
							11/03-06/056K8	pearl grey	-BH, BK, GT, GU, LM, LP		
							11/03-06/053U5	beige	-BL, GV, LT		
						(2) +	3B0 867 333	clip		X	

Model	Year	MG	SG	Illustration	Restrictions	UPD	22:08	11.12.2006		ETKA
PA	2005	8	67	867-65		597	USA			


Pos	Part Number	Name	Remarks	Qty	Model	Pos	Part Number	Name	Remarks	Qty	Model
(3)	3B0 867 334	grommet		X		(4)	3B0 868 417 M	lining, pillar b for vehicles with head airbag and deformation element contains additional positions:	left upper	1	PR-4X8
(4)	3B0 867 243 F	lining, pillar b	left upper	1	PR-4X0,4X1				32		
	05/02-10/034R4	sunshine beige	-GC, JD, NH, TY, VD, XS, YT, ZJ, ZS, 54				05/02-10/034R4	sunshine beige	-GC, VD		
	05/02-10/036K8	pearl grey	-BJ, FP, FQ, GA, GB, JC, JJ, JL, NG, NJ, RN, RW, TW, TX, TZ, VA, VB, XR, XT, YU, YY, ZA, ZH, ZR, ZT, 53				05/02-10/036K8	pearl grey	-GA, GB, VA, VB		
	11/03-06/056K8	pearl grey	-BH, BK, BM, FA, FH, GT, GU, JF, JH, LM, LP, MX, MY, NC, ND, NM, NQ, QW, QZ, RU, RV, VN, VP, VT, XA, XB, 93, 94, 95			(4)	3B0 868 418 M	lining, pillar b for vehicles with head airbag and deformation element contains additional positions:	right upper	1	PR-4X8
	11/03-06/053U5	beige	-BL, GV, JG, LT, MZ, NN, QY, VU, XE				05/02-10/034R4	sunshine beige	-GC, VD		
	11/03-06/053U5	beige	-BL, GV, JG, LT, MZ, NN, QY, VU, XE				05/02-10/036K8	pearl grey	-GA, GB, VA, VB		
(4)	3B0 867 244 F	lining, pillar b	right upper	1	PR-4X0,4X1	(8)	3B0 867 297 D	lining, pillar b	left lower	1	
	05/02-10/034R4	sunshine beige	-GC, JD, NH, TY, VD, XS, YT, ZJ, ZS, 54				05/02-10/03B41	satin black	-BJ, FP, GA, JJ, JL, NG, RW, TW, VA, XR, YY, ZA, ZR, 53		
	05/02-10/036K8	pearl grey	-BJ, FP, FQ, GA, GB, JC, JJ, JL, NG, NJ, RN, RW, TW, TX, TZ, VA, VB, XR, XT, YU, YY, ZA, ZH, ZR, ZT, 53				05/02-06/05U71	flannel grey	-FQ, GB, JC, RN, VB, ZH, NJ, TX, BK, FH, GU, LP, MY, ND, RV, VP, XB		
	11/03-06/056K8	pearl grey	-BH, BK, BM, FA, FH, GT, GU, JF, JH, LM, LP, MX, MY, NC, ND, NM, NQ, QW, QZ, RU, RV, VN, VP, VT, XA, XB, 93, 94, 95				05/02-08/0289H	sunshine beige	-GC, JD, NH, TY, VD, XS, YT, ZJ, ZS, 54		
	11/03-06/053U5	beige	-BL, GV, JG, LT, MZ, NN, QY, VU, XE				08/02-10/037H7	sunshine beige	-GC, JD, NH, TY, VD, XS, YT, ZJ, ZS, 54		
	11/03-06/053U5	beige	-BL, GV, JG, LT, MZ, NN, QY, VU, XE				11/03-06/057G8	beige	-BL, GV, JG, LT, MZ, NN, QY, VU, XE		
	11/03-06/0571N	anthracite					11/03-06/0571N	anthracite	-BH, BM, FA, GT, JF, LM, MX, NC, NM, QW, RU, VN, VT, XA, 93, 95		

Model	Year	MG	SG	Illustration	Restrictions	UPD	22:08	11.12.2006		ETKA
PA	2005	8	67	867-65		597	USA			


Pos	Part Number	Name	Remarks	Qty	Model	Pos	Part Number	Name	Remarks	Qty	Model
(8)	3B0 867 298 D	lining, pillar b	right lower	1			11/03-06/0571N	anthracite	-BH, BM, FA, GT, JF, LM, MX, NC, NM, QW, RU, VN, VT, XA, 93, 95		
	05/02-10/03B41	satin black	-BJ, FP, GA, JJ, JL, NG, RW, TW, VA, XR, YY, ZA, ZR, 53			(8)	3B0 867 298 D	lining, pillar b for vehicles with anti-theft alarm system	right lower lhd	1	
	05/02-06/05U71	flannel grey	-FQ, GB, JC, RN, VB, ZH, NJ, TX, BK, FH, GU, LP, MY, ND, RV, VP, XB				05/02-10/03B41	satin black	-BJ, FP, GA, JJ, JL, NG, RW, TW, VA, XR, YY, ZA, ZR, 53		
	05/02-08/0289H	sunshine beige	-GC, JD, NH, TY, VD, XS, YT, ZJ, ZS, 54				05/02-06/05U71	flannel grey	-FQ, GB, JC, RN, VB, ZH, NJ, TX, BK, FH, GU, LP, MY, ND, RV, VP, XB		
	08/02-10/037H7	sunshine beige	-GC, JD, NH, TY, VD, XS, YT, ZJ, ZS, 54				05/02-08/0289H	sunshine beige	-GC, JD, NH, TY, VD, XS, YT, ZJ, ZS, 54		
	11/03-06/057G8	beige	-BL, GV, JG, LT, MZ, NN, QY, VU, XE				08/02-10/037H7	sunshine beige	-GC, JD, NH, TY, VD, XS, YT, ZJ, ZS, 54		
	11/03-06/0571N	anthracite	-BH, BM, FA, GT, JF, LM, MX, NC, NM, QW, RU, VN, VT, XA, 93, 95			(10)	3B5 868 201 F	lining, pillar c/d,	left upper	1	sedan
(8)	3B0 867 297 E	lining, pillar b for vehicles with anti-theft alarm system	left lower lhd	1			05/02-10/03QKB	pearl grey/black	-BJ, FP, GA, JJ, JL, NG, RW, TW, VA, XR, YY, ZA, ZR, 53		
	05/02-10/03B41	satin black	-BJ, FP, GA, JJ, JL, NG, RW, TW, VA, XR, YY, ZA, ZR, 53				05/02-06/05QKC	pearl grey/flannel grey	-FQ, GB, JC, RN, VB, ZH, NJ, TX, BK, FH, GU, LP, MY, ND, RV, VP, XB		
	05/02-06/05U71	flannel grey	-FQ, GB, JC, RN, VB, ZH, NJ, TX, BK, FH, GU, LP, MY, ND, RV, VP, XB				05/02-10/03QKD	sunshine beige	-GC, JD, NH, TY, VD, XS, YT, ZJ, ZS, 54		
	05/02-08/0289H	sunshine beige	-GC, JD, NH, TY, VD, XS, YT, ZJ, ZS, 54				05/02-06/05QKE	pearl grey/petrol	-TZ, XT, YU, ZT, JH, NQ, QZ, 94		
	08/02-10/037H7	sunshine beige	-GC, JD, NH, TY, VD, XS, YT, ZJ, ZS, 54				11/03-06/05SDF	pearl grey/anthracite	-BH, BM, FA, GT, JF, LM, MX, NC, NM, QW, RU, VN, VT, XA, 93, 95		
	11/03-06/057G8	beige	-BL, GV, JG, LT, MZ, NN, QY, VU, XE				11/03-06/05SDG	beige	-BL, GV, JG, LT, MZ, NN, QY, VU, XE		

Model	Year	MG	SG	Illustration	Restrictions	UPD	22:08	11.12.2006		ETKA
PA	2005	8	67	867-65		597	USA			


Pos	Part Number	Name	Remarks	Qty	Model	Pos	Part Number	Name	Remarks	Qty	Model
(10)	3B5 868 202 F	lining, pillar c/d,	right upper	1	sedan	(11)	3B0 867 767 B	trim - wheel housing for vehicles with head airbag and deformation element	left lower	1	PR-4X8
	05/02-10/03QKB	pearl grey/black	-BJ, FP, GA, JJ, JL, NG, RW, TW, VA, XR, YY, ZA, ZR, 53				05/02-10/03B41	satin black	-GA, VA		
	05/02-06/05QKC	pearl grey/flannel grey	-FQ, GB, JC, RN, VB, ZH, NJ, TX, BK, FH, GU, LP, MY, ND, RV, VP, XB				05/02-06/05U71	flannel grey	-GB, VB, BK, GU, LP		
	05/02-10/03QKD	sunshine beige	-GC, JD, NH, TY, VD, XS, YT, ZJ, ZS, 54				05/02-10/037H7	sunshine beige	-GC, VD		
	05/02-06/05QKE	pearl grey/petrol	-TZ, XT, YU, ZT, JH, NQ, QZ, 94			(11)	3B0 867 768	lining, pillar c	right lower	1	PR-4X0, 4X1, 4X3
	11/03-06/05SDF	pearl grey/anthracite	-BH, BM, FA, GT, JF, LM, MX, NC, NM, QW, RU, VN, VT, XA, 93, 95				05/02-10/03B41	satin black	-BJ, FP, GA, JJ, JL, NG, RW, VA, XR, ZA, ZR		
	11/03-06/05SDG	beige	-BL, GV, JG, LT, MZ, NN, QY, VU, XE				05/02-06/05U71	flannel grey	-FQ, GB, JC, RN, VB, ZH, NJ		
10A	3B5 971 814	support lining, pillar c/d,		2			05/02-08/0289H	sunshine beige	-GC, JD, NH, VD, XS, ZJ, ZS		
(11)	3B0 867 767	lining, pillar c	left lower	1	PR-4X0, 4X1, 4X3		08/02-10/037H7	sunshine beige	-GC, JD, NH, VD, XS, ZJ, ZS		
	05/02-10/03B41	satin black	-BJ, FP, GA, JJ, JL, NG, RW, VA, XR, ZA, ZR				11/03-06/057G8	beige	-BL, GV, JG, LT, MZ, NN, QY, VU, XE		
	05/02-06/05U71	flannel grey	-FQ, GB, JC, RN, VB, ZH, NJ			(11)	3B0 867 768 B	trim - wheel housing for vehicles with head airbag and deformation element	right lower	1	PR-4X8
	05/02-08/0289H	sunshine beige	-GC, JD, NH, VD, XS, ZJ, ZS				05/02-10/03B41	satin black	-GA, VA		
	08/02-10/037H7	sunshine beige	-GC, JD, NH, VD, XS, ZJ, ZS				05/02-06/05U71	flannel grey	-GB, VB, BK, GU, LP		
	11/03-06/057G8	beige	-BL, GV, JG, LT, MZ, NN, QY, VU, XE				05/02-10/037H7	sunshine beige	-GC, VD		
	11/03-06/0571N	anthracite	-BH, BM, FA, GT, JF, LM, MX, NC, NM, QW, RU, VN, VT, XA				11/03-06/057G8	beige	-BL, GV, LT		
						12	3B0 867 947 A	clamp		2	
							11/03-06/0571N	anthracite	-BH, GT, LM		

Model	Year	MG	SG	Illustration	Restrictions	UPD	22:08	11.12.2006		ETKA
PA	2005	8	67	867-65		597	USA			


Pos	Part Number	Name	Remarks	Qty	Model	Pos	Part Number	Name	Remarks	Qty	Model
13	N 014 117 9	fillister hd. screw	M4X15	4		(15)	3B0 868 249 BB	padding	left	1	PR-N5N+4X0, 4X1, 4X3
-	+ N 011 673 5	washer	B5, 5X18X1, 6	4			11/03-06/057AA	anthracite	-GT		
(15)	3B0 868 249 BA	padding	left	1	PR-N7J, N7K, N7W+4X3		11/03-06/058AM	flannel grey	-GU		
	05/02-10/03FAT	black	-JJ, JL, ZA, TW				11/03-06/059AC	beige	-GV		
	05/02-06/05FWG	flannel grey	-JC, ZH, TX, XB			(15)	3B0 868 249 AT	padding for vehicles with head airbag and deformation element	left	1	PR-N0U+4X8
	05/02-10/03LGP	sunshine beige	-JD, ZJ, TY				05/02-10/038N4	black	-GA		
	05/02-06/05LHJ	petrol (green)	-TZ				05/02-10/038P5	flannel grey	-GB		
	11/03-06/05PYU	beige	-MZ, VU, XE				05/02-10/039K7	sunshine beige	-GC		
(15)	3B0 868 249 BA	padding	left	1	PR-N7J, N7K, NOX+4X0, 4X1, 4X3	(15)	3B0 868 249 BC	padding for vehicles with head airbag and deformation element	left	1	PR-N5N+4X8
	05/02-10/03LGL	black	-VA				11/03-06/057AA	anthracite	-GT		
	05/02-06/05LGM	flannel grey	-VB, LP				11/03-06/058AM	flannel grey	-GU		
	05/02-10/03LGN	sunshine beige	-VD				11/03-06/059AC	beige	-GV		
	11/03-06/05RSE	anthracite	-LM			(15)	3B0 868 249 BE	padding for vehicles with head airbag and deformation element	left	1	PR-N0C+4X8
	11/03-06/05RSF	beige	-LT				11/03-06/051NV	anthracite	-BH		
(15)	3B0 868 249 AS	padding for vehicles with head airbag and deformation element	left	1	PR-NOX+4X8		11/03-06/051RN	flannel grey	-BK		
	05/02-10/03LGL	black	-VA				11/03-06/051TR	beige	-BL		
	05/02-06/05LGM	flannel grey	-VB, LP			(15)	3B0 868 250 BA	padding	right	1	PR-N7J, N7K, N7W+4X3
	05/02-10/03LGN	sunshine beige	-VD				05/02-10/03FAT	black	-JJ, JL, ZA, TW,		
	11/03-06/05RSE	anthracite	-LM				05/02-06/05FWG	flannel grey	-JC, ZH, TX, XB		
	11/03-06/05RSF	beige	-LT				05/02-10/03LGP	sunshine beige	-JD, ZJ, TY		
(15)	3B0 868 249 AK	padding	left	1	PR-N0U+4X0, 4X1, 4X3		05/02-06/05LHJ	petrol (green)	-TZ		
	05/02-10/0345J	black	-GA				11/03-06/05PYU	beige	-MZ, VU, XE		
	05/02-10/0346Y	flannel grey	-GB				11/03-06/05QKW	anthracite	-MX, VN, VT, XA		
	05/02-10/0348L	sunshine beige	-GC			(15)	3B0 868 250 BA	padding	right	1	PR-N7J, N7K, NOX+4X0, 4X1, 4X3

Model	Year	MG	SG	Illustration	Restrictions	UPD	22:08	11.12.2006		ETKA
PA	2005	8	67	867-65		597	USA			


Pos	Part Number	Name	Remarks	Qty	Model	Pos	Part Number	Name	Remarks	Qty	Model	
	05/02-10/03LGL	black	-VA				11/03-06/058AM	flannel grey	-GU			
	05/02-06/05LGM	flannel grey	-VB,LP				11/03-06/059AC	beige	-GV			
	05/02-10/03LGN	sunshine beige	-VD			(15)	3B0 868 250 BE	padding for vehicles with head airbag and deformation element	right	1	PR-N0C+4X8	
	11/03-06/05RSE	anthracite	-LM				11/03-06/051NV	anthracite	-BH			
	11/03-06/05RSF	beige	-LT				11/03-06/051RN	flannel grey	-BK			
(15)	3B0 868 250 AS	padding for vehicles with head airbag and deformation element	right	1	PR-N0X+4X8		11/03-06/051TR	beige	-BL			
	05/02-10/03LGL	black	-VA			16-19		fasteners see illustration:	885-70			
	05/02-06/05LGM	flannel grey	-VB,LP			(20)	3B9 867 287 C	lining, pillar c	left upper	1	variant+ PR-4X0,4X1	
	05/02-10/03LGN	sunshine beige	-VD				05/02-10/034R4	sunshine beige	-GC,JD,NH,TY, VD,XS,YT,ZJ, ZS,54			
	11/03-06/05RSE	anthracite	-LM				05/02-10/036K8	pearl grey	-BJ,FP,FQ,GA, GB,JC,JJ,JL, NG,NJ,RN,RW, TW,TX,TZ,VA, VB,XR,XT,YU, YY,ZA,ZH,ZR, ZT,53			
(15)	3B0 868 250 AK	padding	right	1	PR-N0U+4X0, 4X1,4X3		11/03-06/056K8	pearl grey	-BH,BK,BM,FA, FH,GT,GU,JF, JH,LM,LP,MX, MY,NC,ND,NM, NQ,QW,QZ,RU, RV,VN,VP,VT, XA,XB			
	05/02-10/0345J	black	-GA				11/03-06/053U5	beige	-BL,GV,JG,LT, MZ,NN,QY,VU, XE			
	05/02-10/0346Y	flannel grey	-GB				(20)	3B9 867 288 C	lining, pillar c	right upper	1	variant+ PR-4X0,4X1
	05/02-10/0348L	sunshine beige	-GC				05/02-10/034R4	sunshine beige	-GC,JD,NH,TY, VD,XS,YT,ZJ, ZS,54			
(15)	3B0 868 250 BB	padding	right	1	PR-N5N+4X0, 4X1,4X3							
	11/03-06/057AA	anthracite	-GT									
	11/03-06/058AM	flannel grey	-GU									
	11/03-06/059AC	beige	-GV									
(15)	3B0 868 250 AT	padding for vehicles with head airbag and deformation element	right	1	PR-N0U+4X8							
	05/02-10/038N4	black	-GA									
	05/02-10/038P5	flannel grey	-GB									
	05/02-10/039K7	sunshine beige	-GC									
(15)	3B0 868 250 BC	padding for vehicles with head airbag and deformation element	right	1	PR-N5N+4X8							
	11/03-06/057AA	anthracite	-GT									

Model	Year	MG	SG	Illustration	Restrictions	UPD	22:08	11.12.2006		ETKA
PA	2005	8	67	867-65		597	USA			


Pos	Part Number	Name	Remarks	Qty	Model	Pos	Part Number	Name	Remarks	Qty	Model
	05/02-10/036K8	pearl grey	-BJ, FP, FQ, GA, GB, JC, JJ, JL, NG, NJ, RN, RW, TW, TX, TZ, VA, VB, XR, XT, YU, YY, ZA, ZH, ZR, ZT, 53				02/03-10/034R4	sunshine beige	-GC, VD		
	11/03-06/056K8	pearl grey	-BH, BK, BM, FA, FH, GT, GU, JF, JH, LM, LP, MX, MY, NC, ND, NM, NQ, QW, QZ, RU, RV, VN, VP, VT, XA, XB			(21)	02/03-10/036K8	pearl grey	-GA, GB, VA, VB		
	11/03-06/053U5	beige	-BL, GV, JG, LT, MZ, NN, QY, VU, XE				11/03-06/056K8	pearl grey	-BH, BK, GT, GU, LM, LP		
(20)	3B9 867 241 G	lining, pillar c for vehicles with head airbag and deformation element contains additional positions:	left	1	variant+ PR-4X8		11/03-06/053U5	beige	-BL, GV, LT		
	05/02-01/034R4	sunshine beige	-GC, VD				3B9 867 245 B	lining, pillar d	left upper	1	wagon
	05/02-01/036K8	pearl grey	-GA, GB, VA, VB				05/02-11/024R4	sunshine beige	-GC, JD, NH, TY, VD, XS, YT, ZJ, ZS, 54		
(20)	3B9 867 241 J	lining, pillar c for vehicles with head airbag and deformation element contains additional positions:	left	1	variant+ PR-4X8	(21)	3B9 867 245 C	lining, pillar d	left upper	1	wagon
	02/03-10/034R4	sunshine beige	-GC, VD				12/02-10/034R4	sunshine beige	-GC, JD, NH, TY, VD, XS, YT, ZJ, ZS, 54		
	02/03-10/036K8	pearl grey	-GA, GB, VA, VB				05/02-10/036K8	pearl grey	-BJ, FP, FQ, GA, GB, JC, JJ, JL, NG, NJ, RN, RW, TW, TX, TZ, VA, VB, XR, XT, YU, YY, ZA, ZH, ZR, ZT, 53		
	11/03-06/056K8	pearl grey	-BH, BK, GT, GU, LM, LP				11/03-06/056K8	pearl grey	-BH, BK, BM, FA, FH, GT, GU, JF, JH, LM, LP, MX, MY, NC, ND, NM, NQ, QW, QZ, RU, RV, VN, VP, VT, XA, XB		
	11/03-06/053U5	beige	-BL, GV, LT			(21)	11/03-06/053U5	beige	-BL, GV, JG, LT, MZ, NN, QY, VU, XE		
(20)	3B9 867 242 G	lining, pillar c for vehicles with head airbag and deformation element contains additional positions:	right	1	variant+ PR-4X8		3B9 867 246 B	lining, pillar d	right upper	1	wagon
	05/02-01/034R4	sunshine beige	-GC, VD				05/02-11/024R4	sunshine beige	-GC, JD, NH, TY, VD, XS, YT, ZJ, ZS, 54		
	05/02-01/036K8	pearl grey	-GA, GB, VA, VB			(21)	3B9 867 246 C	lining, pillar d	right upper	1	wagon
(20)	3B9 867 242 J	lining, pillar c for vehicles with head airbag and deformation element contains additional positions:	right	1	variant+ PR-4X8		12/02-10/034R4	sunshine beige	-GC, JD, NH, TY, VD, XS, YT, ZJ, ZS, 54		

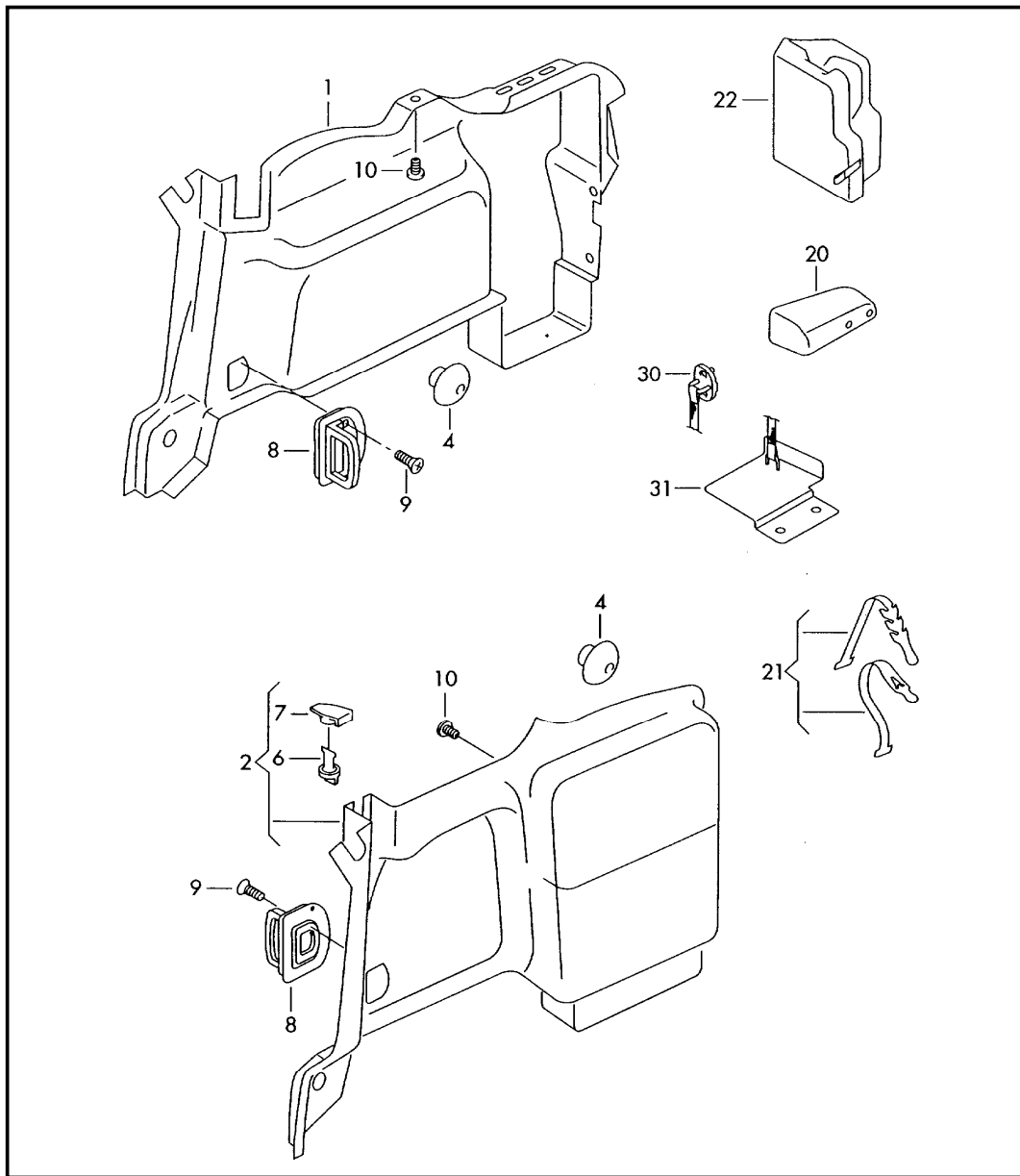
Model	Year	MG	SG	Illustration	Restrictions	UPD	22:08	11.12.2006		ETKA
PA	2005	8	67	867-65		597	USA			

Pos	Part Number	Name	Remarks	Qty	Model	Pos	Part Number	Name	Remarks	Qty	Model
	05/02-10/036K8	pearl grey	-BJ, FP, FQ, GA, GB, JC, JJ, JL, NG, NJ, RN, RW, TW, TX, TZ, VA, VB, XR, XT, YU, YY, ZA, ZH, ZR, ZT, 53			(26)	3B5 868 594 H	lining, pillar c for vehicles with head airbag	right upper	1	limousine+ PR-4X8
	11/03-06/056K8	pearl grey	-BH, BK, BM, FA, FH, GT, GU, JF, JH, LM, LP, MX, MY, NC, ND, NM, NQ, QW, QZ, RU, RV, VN, VP, VT, XA, XB			(26)	3B5 868 594 J	lining, pillar c for vehicles with head airbag	right upper	1	limousine+ PR-4X8
	11/03-06/053U5	beige	-BL, GV, JG, LT, MZ, NN, QY, VU, XE			(26)	3B5 868 594 K	lining, pillar c for vehicles with head airbag	right upper	1	limousine+ PR-4X8
22	3B9 867 208	clamp lining, pillar c for vehicles with head airbag		2	wagon		07/03-10/03QKB	pearl grey/black	-GA, VA		
23	3B5 868 449	clip		2			07/03-06/05QKC	pearl grey/flannel grey	-GB, VB, BK, GU, LP		
24	333 867 299	clamp		4			07/03-10/03QKD	sunshine beige	-GC, VD		
(26)	3B5 868 593 H	lining, pillar c for vehicles with head airbag	left upper	1	limousine+ PR-4X8		11/03-06/05SDF	pearl grey/anthracite	-BH, GT, LM		
	05/02-10/02QKB	pearl grey/black	-GA, VA			27	3B0 867 200	retaining clip		4	sedan
	05/02-10/02QKC	pearl grey/flannel grey	-GB, VB			28	3B5 867 208 A	retaining clip		6	sedan
(26)	3B5 868 593 J	lining, pillar c for vehicles with head airbag	left upper	1	limousine+ PR-4X8	(29)	3B5 868 581 L	lining, pillar d for vehicles with head airbag and deformation element	left	1	limousine+ PR-4X8
	11/02-06/03QKB	pearl grey/black	-GA, VA				05/02-10/034R4	sunshine beige	-GC, VD		
	11/02-06/03QKC	pearl grey/flannel grey	-GB, VB				05/02-10/036K8	pearl grey	-GA, GB, VA, VB		
	05/02-06/03QKD	sunshine beige	-GC, VD				11/03-06/056K8	pearl grey	-BH, BK, GT, GU, LM, LP		
(26)	3B5 868 593 K	lining, pillar c for vehicles with head airbag	left upper	1	limousine+ PR-4X8		11/03-06/053U5	beige	-BL, GV, LT		
	07/03-10/03QKB	pearl grey/black	-GA, VA			(29)	3B5 868 582 K	lining, pillar d for vehicles with head airbag and deformation element	right	1	limousine+ PR-4X8
	07/03-06/05QKC	pearl grey/flannel grey	-GB, VB, BK, GU, LP				05/02-02/034R4	sunshine beige	-GC, VD		
	07/03-10/03QKD	sunshine beige	-GC, VD			(29)	3B5 868 582 L	lining, pillar d for vehicles with head airbag and deformation element	right	1	limousine+ PR-4X8
	11/03-06/05SDF	pearl grey/anthracite	-BH, GT, LM								
	11/03-06/05SDG	beige	-BL, GV, LT								


Model	Year	MG	SG	Illustration	Restrictions	UPD	22:08	11.12.2006		ETKA
PA	2005	8	67	867-65		597	USA			

Pos	Part Number	Name	Remarks	Qty	Model	Pos	Part Number	Name	Remarks	Qty	Model
	03/03-10/034R4	sunshine beige	-GC, VD								
	05/02-10/036K8	pearl grey	-GA, GB, VA, VB								
	11/03-06/056K8	pearl grey	-BH, BK, GT, GU, LM, LP								
	11/03-06/053U5	beige	-BL, GV, LT								
30	3B0 880 288 A	clamp		6	sedan						
32		not a spare part			PR-4X3, 4X8						
(33)	3B5 880 313 A	retaining bracket	left	1	sedan						
33	3B5 880 314 A	retaining bracket	right	1	sedan						
34	N 104 076 01	pop-rivet	A3X6	8							


Model	Year	MG	SG	Illustration	Restrictions	UPD	22:08	11.12.2006		ETKA
PA	2005	8	67	867-80		597	USA			

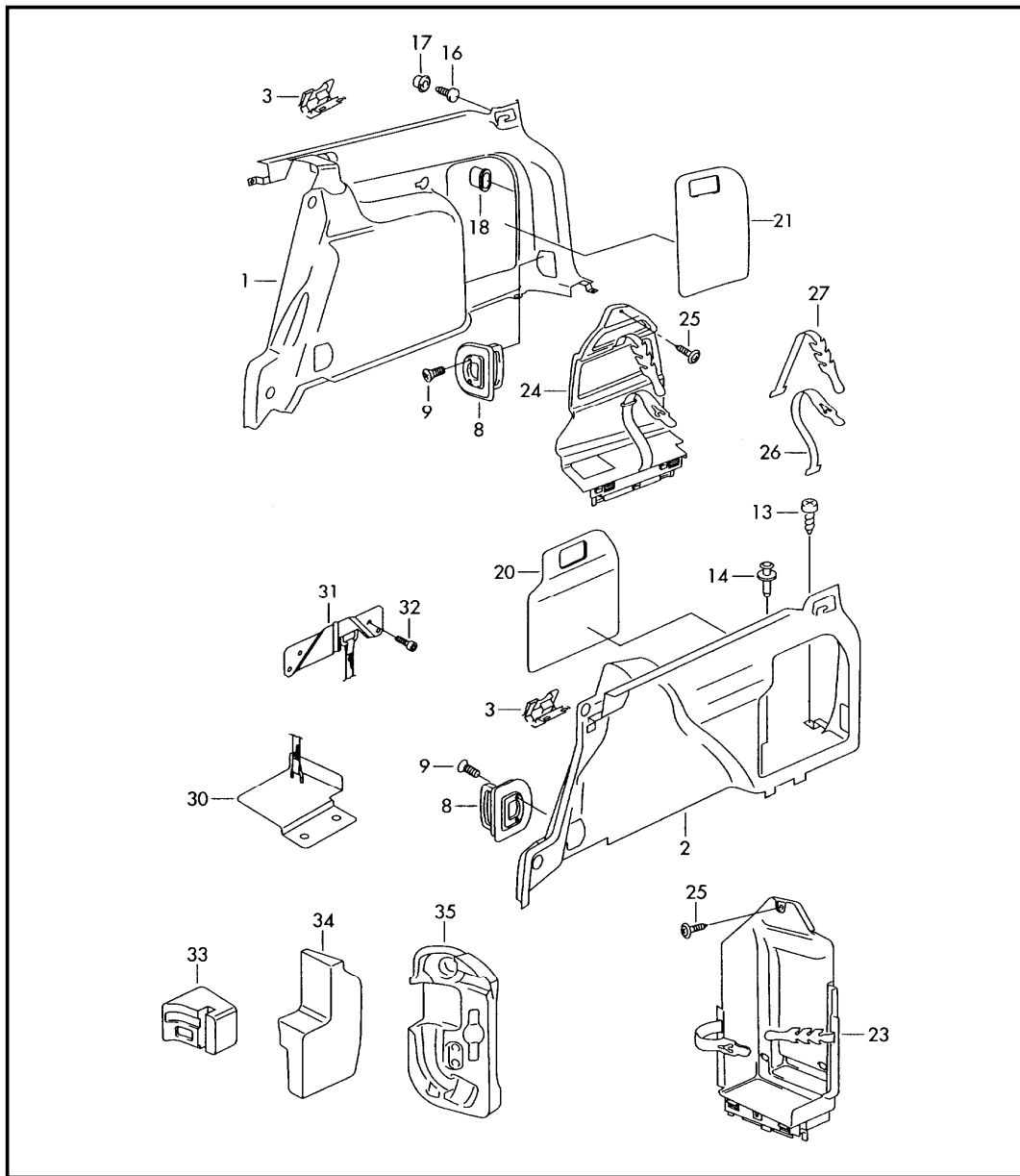


Pos	Part Number	Name	Remarks	Qty	Model
		trunk linings			sedan
(1)	3B5 867 430 AP	boot lining	right	1	front drive+ 4-,5-cyl.
	05/02-06/051BS	anthracite			
(1)	3B5 867 430 AR	boot lining for vehicle with fold-down seat backrest	right	1	front drive+ 6 cylinder
	05/02-06/058JS	off-black			
(1)	3B5 867 430 EF	boot lining	right	1	4motion+ 4 cylinder
	05/02-06/051BS	anthracite			
(1)	3B5 867 430 DH	boot lining	right	1	4motion+ 5-,6-cyl.
	05/02-06/058JS	off-black			
(1)	3B5 867 430 DH	boot lining	right	1	8-cylinder+ PR-1D0
	05/02-06/058JS	off-black			
(1)	3B5 867 430 DJ	boot lining for vehicles with detachable towing attachment (ball type)	right	1	8-cylinder+ PR-1D2
	05/02-06/058JS	off-black			
(2)	3B5 867 429 BM	boot lining	left	1	front drive+ 4-,5-cyl.
	05/02-06/051BS	anthracite			
(2)	3B5 867 429 BN	boot lining cd-changer and/or for vehicles with naviga- tion system rework if necessary	left	1	front drive+ 4-,5-cyl.
	05/02-06/051BS	anthracite			
(2)	3B5 867 429 BP	boot lining for vehicle with fold-down seat backrest	left rear	1	front drive+ 6 cylinder
	05/02-06/058JS	off-black			


Model	Year	MG	SG	Illustration	Restrictions	UPD	22:08	11.12.2006		ETKA
PA	2005	8	67	867-80		597	USA			

Pos	Part Number	Name	Remarks	Qty	Model	Pos	Part Number	Name	Remarks	Qty	Model
(2)	3B5 867 429 BQ	boot lining for vehicle with fold-down seat backrest cd-changer and/or for vehicles with naviga- tion system	left rear	1	front drive+ 6 cylinder	21	3B5 011 249	retaining strip for jack	160MM	2	4motion+ 6 cylinder
	05/02-06/058JS	off-black									
(2)	3B5 867 429 CD	boot lining for vehicle with fold-down seat backrest	left	1	4motion+ 4-,5-cyl.						
	05/02-06/051BS	anthracite									
(2)	3B5 867 429 CF	boot lining	left	1	4motion+ 6, 8>cyl.+ PR-3ND,3NH						
	05/02-06/058JS	off-black									
(2)	3B5 867 429 CC	boot lining for vehicle with fold-down seat backrest	left	1	4motion+ 6-cylinder+ PR-3NU,3NZ						
	05/02-06/058JS	off-black									
4	N 908 618 01	pushbutton	9,5X8X24	2							
	05/02-06/0501C	satin black									
6	3B5 867 468	locking tongue		2							
	05/02-06/0501C	satin black									
7	3B5 867 467	rotary knob		2							
	05/02-06/0501C	satin black									
8	1J0 864 203 D	tie-down eye		4							
	05/02-06/052ZZ	chrome									
9	N 103 114 01	innensechsrund-senkschraube, selbstsichernd	M6X20-F-SB	8							
10	191 867 199	plug	20/8,5	X							
	+ 05/02-06/0501C	satin black									
20	3B5 867 830	cover for jack	right	1	4motion+ 6 cylinder						
	05/02-06/058JS	off-black									


Model	Year	MG	SG	Illustration	Restrictions	UPD	22:08	11.12.2006		ETKA
PA	2005	8	67	867-90		597	USA			




Pos	Part Number	Name	Remarks	Qty	Model
1	3B9 867 430 Q	trunk linings boot lining	right	1	wagon fr.wheel drv
	05/02-10/03B41	satin black	-BJ, FP, GA, JJ, JL, NG, RW, TW, VA, XR, YY, ZA, ZR, 53		
	05/02-06/05U71	flannel grey	-FQ, GB, JC, RN, VB, ZH, NJ, TX, BK, FH, GU, LP, MY, ND, RV, VP		
	05/02-07/0289H	sunshine beige	-GC, JD, NH, TY, VD, XS, YT, ZJ, ZS, 54		
	08/02-10/037H7	sunshine beige	-GC, JD, NH, TY, VD, XS, YT, ZJ, ZS, 54		
	11/03-06/057G8	beige	-BL, GV, JG, LT, MZ, NN, VU		
(1)	3B9 867 430 P	boot lining	right	1	4motion
	08/02-06/037H7	sunshine beige	-GC, JD, NH, TY, VD, XS, YT, ZJ, ZS, 54		
(1)	3B9 867 430 T	boot lining	right	1	4motion
	05/02-10/03B41	satin black	-BJ, FP, GA, JJ, JL, NG, RW, TW, VA, XR, YY, ZA, ZR, 53		
	07/03-06/05U71	flannel grey	-BK, FH, GU, LP, MY, ND, RV, VP, XB, FQ, GB, JC, NJ, RN, TX, VB, ZH, MR		
	07/03-10/037H7	sunshine beige	-GC, JD, NH, TY, VD, XS, YT, ZJ, ZS, 54		
	11/03-06/057G8	beige	-BL, GV, JG, LT, MZ, NN, QY, VU, XE		

Model	Year	MG	SG	Illustration	Restrictions	UPD	22:08	11.12.2006		ETKA
PA	2005	8	67	867-90		597	USA			


Pos	Part Number	Name	Remarks	Qty	Model	Pos	Part Number	Name	Remarks	Qty	Model
	11/03-06/0571N	anthracite	-BH, BM, FA, GT, JF, LM, MX, NC, NM, QW, RU, VN, VT, XA, MQ, 93, 95				11/03-06/0571N	anthracite	-BH, BM, FA, GT, JF, LM, MX, NC, NM, QW, RU, VN, VT, XA, 93, 95		
2	3B9 867 429 Q	boot lining	left	1	fr.wheel drv	3	3B0 867 200	retaining clip		8	
	05/02-10/03B41	satin black	-BJ, FP, GA, JJ, JL, NG, RW, TW, VA, XR, YY, ZA, ZR, 53			(3)	3B9 868 491 A	bracket boot lining	83X40X40MM left	1	
	05/02-06/05U71	flannel grey	-FQ, GB, JC, RN, VB, ZH, NJ, TX, BK, FH, GU, LP, MY, ND, RV, VP			8	1J0 864 203 D	tie-down eye		4	
	05/02-10/037H7	sunshine beige	-GC, JD, NH, TY, VD, XS, YT, ZJ, ZS, 54				05/02-06/052ZZ	chrome			
	11/03-06/057G8	beige	-BL, GV, JG, LT, MZ, NN, VU			9	N 103 114 01	innensechsrund-senkschraube, selbstsichernd	M6X20-F-SB	8	
	11/03-06/0571N	anthracite	-BH, BM, FA, GT, JF, LM, MX, NC, NM, RU, VN, VT, 93, 95			13	N 904 468 01	tapping screw	4X15	4	
(2)	3B9 867 429 N	boot lining	left	1	4motion	14	1H0 867 199 A	clip		4	fr.wheel drv
	05/02-10/03B41	satin black	-BJ, FP, GA, JJ, JL, NG, RW, TW, VA, XR, YY, ZA, ZR, 53				05/02-10/0301C	satin black	-BJ, FP, GA, JJ, JL, NG, RW, TW, VA, XR, YY, ZA, ZR, 53		
	05/02-06/05U71	flannel grey	-FQ, GB, JC, RN, VB, ZH, NJ, TX, BK, FH, GU, LP, MY, ND, RV, VP, XB				05/02-06/05U71	flannel grey	-FQ, GB, JC, RN, VB, ZH, NJ, TX, BK, FH, GU, LP, MY, ND, RV, VP, XB		
	05/02-07/0289H	sunshine beige	-GC, JD, NH, TY, VD, XS, YT, ZJ, ZS, 54				05/02-10/037H7	sunshine beige	-GC, JD, NH, TY, VD, XS, YT, ZJ, ZS, 54		
	08/02-10/037H7	sunshine beige	-GC, JD, NH, TY, VD, XS, YT, ZJ, ZS, 54				11/03-06/057G8	beige	-BL, GV, JG, LT, MZ, NN, QY, VU, XE		
	11/03-06/057G8	beige	-BL, GV, JG, LT, MZ, NN, QY, VU, XE				11/03-06/0571N	anthracite	-BH, BM, FA, GT, JF, LM, MX, NC, NM, QW, RU, VN, VT, XA, 93, 95		
						-		escutcheon net partition	see illustration:	861-00, POS 20	
						16	+ 3B0 867 333	clip		X	
						17	3B0 867 334	grommet		X	
						(18)	3B0 867 981 A	grommet		4	
						20	3B9 867 461 C	plug cover	left	1	4-, 5-, 6-cyl.

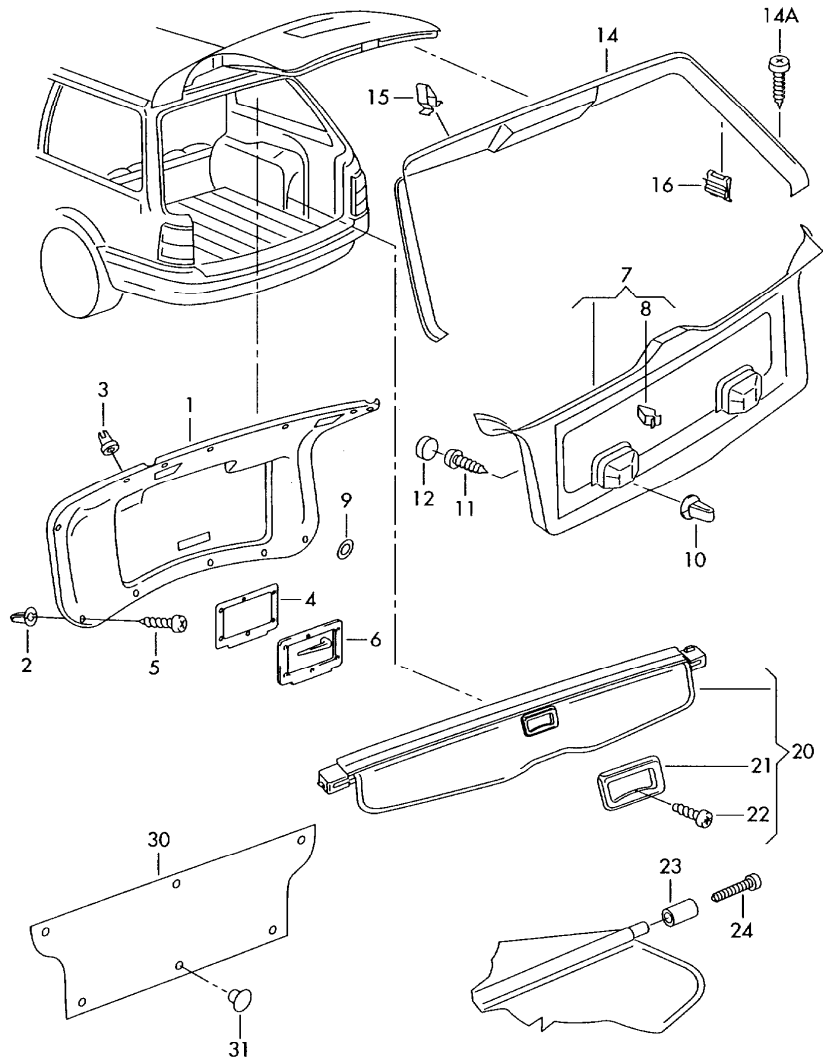
Model	Year	MG	SG	Illustration	Restrictions	UPD	22:08	11.12.2006		ETKA
PA	2005	8	67	867-90		597	USA			

Pos	Part Number	Name	Remarks	Qty	Model	Pos	Part Number	Name	Remarks	Qty	Model
	05/02-10/03FEE	satin black	-BJ, FP, GA, JJ, JL, NG, RW, TW, VA, XR, YY, ZA, ZR, 53			21	3B9 867 462 B	plug cover	right	1	4-, 5-, 6-cyl.
	05/02-06/05FEF	flannel grey	-FQ, GB, JC, RN, VB, ZH, NJ, TX, BK, FH, GU, LP, MY, ND, RV, VP, XB				05/02-10/03FEE	satin black	-BJ, FP, GA, JJ, JL, NG, RW, TW, VA, XR, YY, ZA, ZR, 53		
	05/02-07/02LWT	sunshine beige	-GC, JD, NH, TY, VD, XS, YT, ZJ, ZS, 54				05/02-06/05FEF	flannel grey	-FQ, GB, JC, RN, VB, ZH, NJ, TX, BK, FH, GU, LP, MY, ND, RV, VP, XB		
	08/02-10/03PNB	sunshine beige	-GC, JD, NH, TY, VD, XS, YT, ZJ, ZS, 54				05/02-07/02LWT	sunshine beige	-GC, JD, NH, TY, VD, XS, YT, ZJ, ZS, 54		
	05/02-06/05LWU	petrol (green)	-TZ, XT, YU, ZT, JH, NQ, QZ				08/02-10/03PNB	sunshine beige	-GC, JD, NH, TY, VD, XS, YT, ZJ, ZS, 54		
	11/03-06/05SDH	anthracite	-BH, BM, FA, GT, JF, LM, MX, NC, RU, VN, VT, XA, 93, 95, NM, QW				11/03-06/05SDH	anthracite	-BH, BM, FA, GT, JF, LM, MX, NC, RU, VN, VT, XA, 93, 95, NM, QW		
	11/03-06/05SDJ	beige	-BL, GV, JG, LT, MZ, NN, VU, QY, XE				11/03-06/05SDJ	beige	-BL, GV, JG, LT, MZ, NN, VU, QY, XE		
(20)	3B9 867 461 D	plug cover	left	1	8 cylinder	(21)	3B9 867 462 C	plug cover	right	1	8 cylinder
	05/02-10/03FEE	satin black	-TW, VA, XR, YY, ZR				05/02-10/03FEE	satin black	-TW, VA, XR, YY, ZR		
	05/02-06/05FEF	flannel grey	-TX, VB, LP, XB, BK, FH, GU, MY, ND, RV, VP				05/02-06/05FEF	flannel grey	-TX, VB, LP, XB, BK, FH, GU, MY, ND, RV, VP		
	05/02-07/02LWT	sunshine beige	-TY, VD, XS, YT, ZS				05/02-07/02LWT	sunshine beige	-TY, VD, XS, YT, ZS		
	08/02-10/03PNB	sunshine beige	-TY, VD, XS, YT, ZS				08/02-10/03PNB	sunshine beige	-TY, VD, XS, YT, ZS		
	05/02-06/05LWU	petrol (green)	-TZ, XT, YU, ZT, JH, NQ, QZ				05/02-06/05LWU	petrol (green)	-TZ, XT, YU, ZT, JH, NQ, QZ		
	11/03-06/05SDH	anthracite	-BH, BM, FA, GT, JF, LM, MX, NC, NM, RU, VN, VT, QW, XA,				11/03-06/05SDH	anthracite	-BH, BM, FA, GT, JF, LM, MX, NC, NM, RU, VN, VT, QW, XA,		
	11/03-06/05SDJ	beige	-BL, GV, JG, LT, MZ, NN, VU, QY, XE				11/03-06/05SDJ	beige	-BL, GV, JG, LT, MZ, NN, VU, QY, XE		


Model	Year	MG	SG	Illustration	Restrictions	UPD	22:08	11.12.2006		ETKA
PA	2005	8	67	867-90		597	USA			

Pos	Part Number	Name	Remarks	Qty	Model	Pos	Part Number	Name	Remarks	Qty	Model
23	3B9 867 705 H	storage unit	left	1							
	05/02-06/05B41	satin black									
(23)	3B9 035 112 D	bracket for cd-changer and/ or navigation unit FUER CD-ROM-LAUFWERK for vehicles with naviga- tion system		1							
24	3B9 867 706 B	storage unit	right	1	4-,5-,6-cyl.						
	05/02-06/05B41	satin black									
24	3B9 867 706 B	storage unit for vehicles without trailers	right	1	8 cylinder						
	05/02-06/05B41	satin black									
26	3B9 860 273	retaining strap		1	4-,5-,6-cyl.						
26	3B9 860 273	retaining strap for vehicles without trailers		1	8 cylinder						
27	6N0 860 273 D	retaining strap warning triangle		1	4-,5-,6-cyl.						
27	6N0 860 273 D	retaining strap warning triangle for vehicles without trailers		1	8 cylinder						
		synnting for trailer coupling ball			8-cylinder+ 4motion						
30	3B5 863 503 A	tie-down eye for vehicles with detachable towing attachment (ball type)	lower	1							
31	3B9 863 503	tie-down eye for vehicles with detachable towing attachment (ball type)	upper	1							
32	+ N 100 091 04	bolt, hex. hd. (combi.)	M6X12	2							
33	3B9 804 931	spacer	front	1							
34	3B9 804 932	spacer	rear	1							
35	3B9 804 969 B	synnting for trailer coupling ball		1							


Model	Year	MG	SG	Illustration	Restrictions	UPD	22:08	11.12.2006		ETKA
PA	2005	8	68	868-00		597	USA			




Pos	Part Number	Name	Remarks	Qty	Model
		trim panel for hatch gate			
		trim panel for rear panel			
		blind for luggage compartment			
(1)	3B5 867 605 N	trim panel for hatch gate		1	sedan
	05/02-10/028JS	off-black OHNE AUSSCHNITT WARNDREIECK			
(1)	3B5 867 605 P	trim panel for hatch gate		1	
	11/02-06/058JS	off-black			
(1)	3B5 867 605 M	trim panel for hatch gate emergency release		1	sedan
	05/02-06/058JS	off-black			
3 +	811 807 577 C	speed nut	4,2	2	
4	3B5 867 559	frame		1	
5	N 902 776 02	tapping screw	ST4, 2X17	2	
	05/02-06/0502S	off-black			
-	4A0 867 276	clamp		11	
6	3B5 867 157	finger plate		1	sedan
	05/02-06/05B41	satin black			
7	3B9 867 601 E	trim panel for hatch gate	lower	1	wagon
	05/02-11/03PNB	sunshine beige	-GC, JD, NH, TY, VD, XS, YT, ZJ, ZS, 54		
	11/03-05/04SDJ	beige	-BL, GV, JG, LT, MZ, NN, QY, VU, XE		
(7)	3B9 867 601 F	trim panel for hatch gate	lower	1	
	05/02-11/03FEE	satin black	-BJ, FP, GA, JJ, JL, NG, RW, TW, VA, XR, YY, ZA, ZR, 53		
	05/02-06/05FEF	flannel grey	-FQ, GB, JC, NJ, RN, TX, VB, ZH, FH, GU, LP, MY, ND, RV, VP, XB		

Model	Year	MG	SG	Illustration	Restrictions	UPD	22:08	11.12.2006		ETKA
PA	2005	8	68	868-00		597	USA			


Pos	Part Number	Name	Remarks	Qty	Model	Pos	Part Number	Name	Remarks	Qty	Model
	11/03-06/05SDH	anthracite	-BH, BM, FA, GT, JF, LM, MX, NC, NM, QW, RU, VN, VT, XA, 93, 95				05/02-07/022M6	sunshine beige	-GC, JD, NH, TY, VD, XS, YT, ZJ, ZS, 54		
	06/04-06/05SDJ	beige	-BL, GV, JG, LT, MZ, NN, QY, VU, NM, QW, RU, VN, XE			(14)	3B9 867 975 E	trim panel for hatch gate	upper	1	wagon
							08/02-01/042M6	sunshine beige	-GC, JD, NH, TY, VD, XS, YT, ZJ, ZS, 54		
8	3B9 867 289	retaining clip		12	wagon	(14)	3B9 867 975 F	trim panel for hatch gate	upper	1	wagon
9	N 908 330 01	lock washer	5X13,3	6			05/02-10/03X30	pearl grey	-BJ, FP, FQ, GA, GB, JC, JJ, JL, NG, NJ, RN, RW, TW, TX, TZ, VA, VB, XR, XT, YU, YY, ZA, ZH, ZR, ZT, 53		
10	+ 4A0 857 610	expanding nut		2	wagon						
11	+ N 901 575 01	tapping screw F >> 3B-4-160 000*	B4, 2X25	2	wagon						
(11)	+ N 906 986 03	innensechsrund-blechschaube F 3B-4-160 001>>*	ST4, 2X16-C-T20	2	wagon		02/04-06/05X30	pearl grey	-BH, BK, BM, FA, FH, GT, GU, JF, JH, LM, LP, MX, MY, NC, ND, NM, NQ, QW, QZ, RU, RV, VN, VP, VT, XA, XB		
12	3B9 867 169	cap		2	wagon						
	05/02-05/04B41	satin black	-BJ, FP, GA, JJ, JL, NG, RW, TW, VA, XR, YY, ZA ZR, 53				02/03-10/032M6	sunshine beige	-GC, JD, NH, TY, VD, XS, YT, ZJ, ZS, 54		
	05/02-05/04U71	flannel grey	-BK, FH, FQ, GB, GU, JC, LP, MY, ND, NJ, RN, RV, TX, VB, VP, XB, ZH				02/04-06/057B9	beige	-BL, GV, JG, LT, MZ, NN, QY, VU, XE		
	05/02-07/0289H	sunshine beige	-GC, JD, NH, TY, VD, XS, YT, ZJ, ZS, 54			14A	N 908 380 01	fillister hd. screw contents of package:	4X16-E 20	2	wagon
	08/02-05/047H7	sunshine beige	-GC, JD, NH, TY, VD, XS, YT, ZJ, ZS, 54				05/02-10/03B41	satin black	-BJ, FP, GA, JJ, JL, NG, RW, TW, VA, XR, YY, ZA ZR, 53		
	11/03-05/047G8	beige	-BL, GV, JG, LT, MZ, NN, QY, VU, XE				05/02-06/05U71	flannel grey	-FQ, GB, JC, RN, VB, ZH, NJ, TX, BK, FH, GU, LP, MY, ND, RV, VP, XB		
	11/03-05/0471N	anthracite	-BH, BM, FA, GT, JF, LM, MX, NC, NM, QW, RU, VN, VT, XA, 93, 95				05/02-10/037H7	sunshine beige	-GC, JD, NH, TY, VD, XS, YT, ZJ, ZS, 54		
	05/02-05/0492F	petrol (green)	-TZ, XT, YU, ZT, JH, NQ, QZ, 94				05/02-06/0592F	petrol (green)	-TZ, XT, YU, ZT, JH, NQ, QZ		
14	3B9 867 975 D	trim panel for hatch gate	upper	1	wagon						

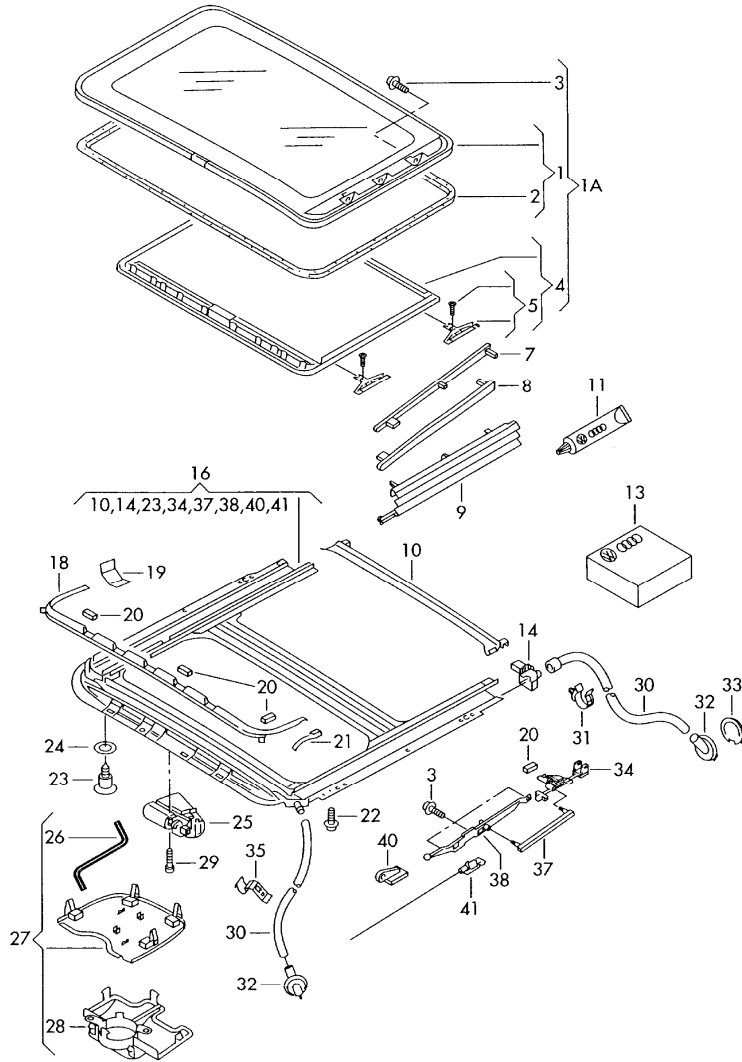
Model	Year	MG	SG	Illustration	Restrictions	UPD	22:08	11.12.2006		ETKA
PA	2005	8	68	868-00		597	USA			

Pos	Part Number	Name	Remarks	Qty	Model	Pos	Part Number	Name	Remarks	Qty	Model
	11/03-06/057G8	beige	-BL, GV, JG, LT, MZ, NN, QY, VU, XE				05/02-06/058LE	flannel grey	-FQ, GB, JC, RN, VB, ZH, NJ, TX, BK, FH, GU, LP, MY, ND, RV, VP, XB		
	11/03-06/0571N	anthracite	-BH, BM, FA, GT, JF, LM, MX, NC, NM, QW, RU, VN, VT, XA				05/02-10/0392N	sunshine beige	-GC, JD, NH, TY, VD, XS, YT, ZJ, ZS, 54		
15	+ 4B0 867 276 A	clamp		4	wagon		05/02-06/0593P	petrol (green)	-TZ, XT, YU, ZT, JH, NQ, QZ		
16	3B9 867 276	retaining clip		4	wagon		11/03-06/057W4	beige	-BL, GV, JG, LT, MZ, NN, QY, VU, XE		
(20)	3B9 867 871 AC	blind for luggage compartment		1	wagon		11/03-06/0586G	anthracite	-BH, BM, FA, GT, JF, LM, MX, NC, NM, QW, RU, VN, VT, XA		
	05/02-10/039ET	black	-BJ, FP, GA, JJ, JL, NG, RW, TW, VA, XR, YY, ZA ZR, 53			(21)	3B9 867 799 B	grip molding		1	wagon
	05/02-06/058LE	flannel grey	-FQ, GB, JC, RN, VB, ZH, NJ, TX, BK, FH, GU, LP, MY, ND, RV, VP, XB				05/02-10/03B41	satin black	-BJ, FP, GA, JJ, JL, NG, RW, TW, VA, XR, YY, ZA ZR, 53		
	05/02-10/0392N	sunshine beige	-GC, JD, NH, TY, VD, XS, YT, ZJ, ZS, 54				05/02-06/05U71	flannel grey	-FQ, GB, JC, RN, VB, ZH, NJ, TX, BK, FH, GU, LP, MY, ND, RV, VP, XB		
	05/02-06/0593P	petrol (green)	-TZ, XT, YU, ZT, JH, NQ, QZ				05/02-07/0289H	sunshine beige	-GC, JD, NH, TY, VD, XS, YT, ZJ, ZS, 54		
	11/03-06/057W4	beige	-BL, GV, JG, LT, MZ, NN, QY, VU, XE				08/02-10/037H7	sunshine beige	-GC, JD, NH, TY, VD, XS, YT, ZJ, ZS, 54		
	11/03-06/0586G	anthracite	-BH, BM, FA, GT, JF, LM, MX, NC, NM, QW, RU, VN, VT, XA				05/02-06/0592F	petrol (green)	-TZ, XT, YU, ZT, JH, NQ, QZ		
(20)	3B9 867 871 AB	blind for luggage compartment for vehicles with net partition		1	wagon		11/02-06/057G8	beige	-BL, GV, JG, LT, MZ, NN, QY, VU, XE		
	05/02-10/039ET	black	-BJ, FP, GA, JJ, JL, NG, RW, TW, VA, XR, YY, ZA ZR, 53				11/02-06/0571N	anthracite	-BH, BM, FA, GT, JF, LM, MX, NC, NM, QW, RU, VN, VT, XA		
						22	3B0 867 648	innensechsrundsraube tapping screw	2, 5X8MM	2	wagon


Model	Year	MG	SG	Illustration	Restrictions	UPD	22:08	11.12.2006		ETKA
PA	2005	8	68	868-00		597	USA			

Pos	Part Number	Name	Remarks	Qty	Model	Pos	Part Number	Name	Remarks	Qty	Model
23		not a spare part									
24		not a spare part									
(30)	3B5 867 714 D	trim panel for rear panel		1	limousine+ 4-,5-cyl.+ fr.wheel drv						
	05/02-06/051BS	anthracite									
(30)	3B5 867 714 G	trim panel for rear panel		1	limousine+ 6-cylinder+ fr.wheel drv						
	05/02-06/058JS	off-black									
(30)	3B5 867 714 J	trim panel for rear panel		1	sedan: 6, 8>cyl.+ 4motion						
	05/02-06/058JS	off-black									
31	191 867 199	plug	20/8,5	6	sedan						
	+ 05/02-06/0501C	satin black									


Model	Year	MG	SG	Illustration	Restrictions	UPD	22:09	11.12.2006		ETKA
PA	2005	8	77	877-00		597	USA			




Pos	Part Number	Name	Remarks	Qty	Model
1	4B0 877 071 H	glass sliding roof glass sliding roof panel as required use:	MERTIOR *>>3B-3-180000 8D0 877 781 B 8D0 877 782 B (01C)	1 1 1	PR-3FE
2	8D0 877 297 D	gasket		1	
3	6N0 877 721	innensechsrund-zylinder- schraube (kombi) 'bestelleinheit 4' F. BEFESTIGUNG GLASDECKEL	M5X16	6	
(4)	8D0 877 255 D	frame for sliding roof opening with cover		1	
	05/02-06/05MPV	pearl grey	-BJ, FP, FQ, GA, GB, JC, JJ, JL, NG, RN, RW, TW, TX, TZ, VA, VB, XR, XT, YU, YY, ZA, ZH, ZR, ZT NJ, 53, BH, BK, BM, FA, FH, GT, GU, JF, JH, LM, LP, MX, MY, NC, ND, NM, NO, OW, QZ, RU, RV, VN, VP, VT, XA, XB		
	05/02-10/03PMW	sunshine beige	-GC, JD, NH, TY, VD, XS, YT, ZJ, ZS, 54		
	11/03-06/05SEE	beige	-BL, GV, JG, LT, MZ, NN, QY, VU, XE		
5	4B0 877 165	guide piece to be used for:	black 8D0 877 255 D	1	
7	4B0 877 791	trim		1	
	05/02-08/0201C	satin black			
(7)	4B0 877 792	trim		1	
	05/02-08/0201C	satin black			
8	4B0 877 793	trim		1	
	05/02-08/0201C	satin black			
(8)	4B0 877 794	trim		1	

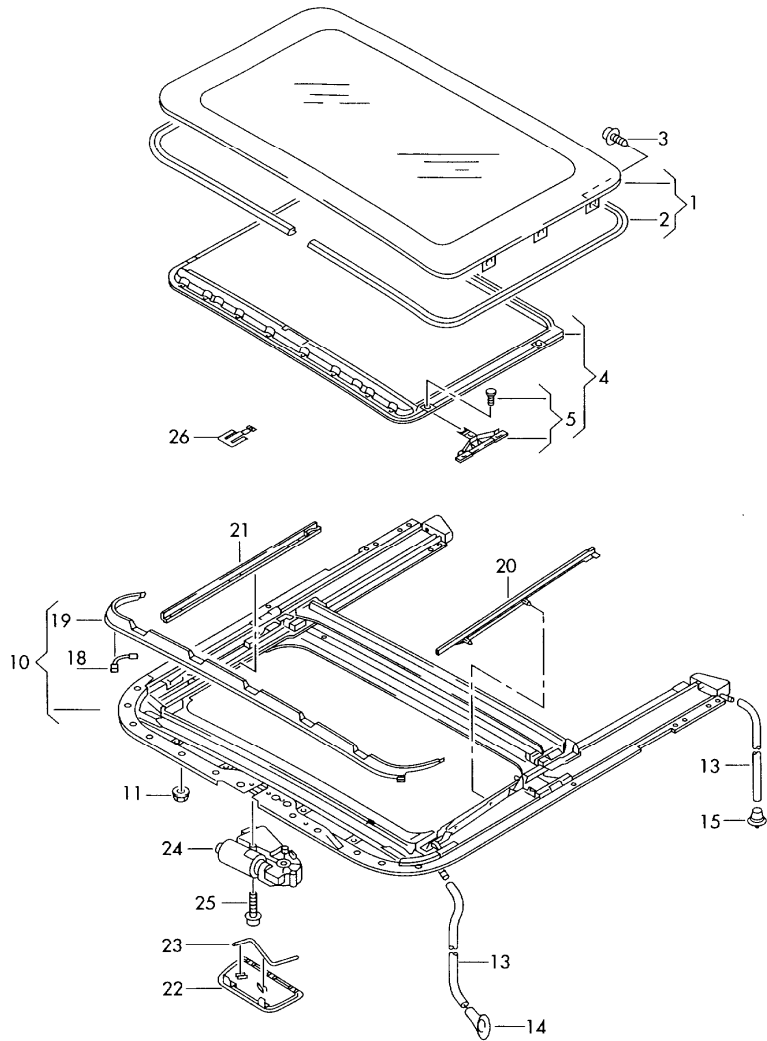
Model	Year	MG	SG	Illustration	Restrictions	UPD	22:09	11.12.2006		ETKA
PA	2005	8	77	877-00		597	USA			

Pos	Part Number	Name	Remarks	Qty	Model	Pos	Part Number	Name	Remarks	Qty	Model
	05/02-08/0201C	satin black					05/02-10/036K8	pearl grey	-BJ, FP, FQ, GA, GB, JC, JJ, JL, NG, RN, RW, TW, TX, TZ, VA, VB, XR, XT, YU, YY, ZA, ZH, ZR, ZT		
9	8D0 877 781 B	boot	left	1					NJ, 53, BH, BK, BM, FA, FH, GT, GU, JF, JH, LM, LP, MX, MY, NC, ND, NM, NQ, QW, QZ, RU, RV, VN, VP, VT, XA, XB		
	09/02-06/0501C	satin black									
(9)	8D0 877 782 B	boot	right	1							
	09/02-06/0501C	satin black									
10	8D0 877 633 B	rain channel		1							
11	G 000 450 02	grease	90G	X							
13	AKL 450 005 05	butyl adhesive / sealing cord adhesives and sealing compound	5X5000	X			05/02-10/034R4	sunshine beige	-GC, JD, NH, TY, VD, XS, YT, ZJ, ZS, 54		
14	8D5 898 200	1 set of ball end piece comprising:	left/right rear	1		(27)	3B0 877 829 E	cover sliding roof motor		1	
16	4B5 877 049 B	frame with operating mechanism for vehicles with glass sliding roof		1			11/03-06/053U5	beige	-BL, GV, JG, LT, MZ, NN, QY, VU, XE		
18	8D5 877 655	wind deflector		1			11/03-06/056K8	pearl grey	-BH, BK, BM, FA, FH, GT, GU, JF, JH, LM, LP, MX, MY, NC, ND, NM, NQ, QW, QZ, RU, RV, VN, VP, VT, XA, XB		
19	8D5 898 671	1 set of mounting - wind defl.	left/right	1							
20	8D5 898 652 A	1 set of rubber stop		1							
21	8D5 877 975	flat spring wind deflector		2							
22	N 907 498 01	innensechsrund-linsenschraube	M6X12	X		29	N 908 848 01	innensechsrund-linsenschraube	M5X18	3	
23	8D5 877 721	innensechsrund-zyl.schraube		4		30	3B0 877 231 A	water drain hose	front	2	
24	8D5 877 479	washer		4		(30)	3B7 877 233	water drain hose	rear	2	sedan: PR-3FE
25		sliding roof motor see illustration:	959-00			(30)	3B9 877 233 E	water drain hose	rear	2	wagon: PR-3FE, 4X0, 4X1
26	895 877 849	crank for winding gear		1		(30)	3B9 877 203	water drain hose	rear	2	wagon: PR-3FE, 4X3, 4X4, 4X8
27	3B0 877 829 E	cover sliding roof motor		1		(31)	3B7 877 237	clip water drain hose		X	
						32	1J0 877 242	drain tube grommet		4	sedan
						(32)	1J0 877 242	drain tube grommet	front	2	wagon
						(32)	8D0 877 242	drain tube grommet	rear	2	wagon


Model	Year	MG	SG	Illustration	Restrictions	UPD	22:09	11.12.2006		ETKA
PA	2005	8	77	877-00		597	USA			

Pos	Part Number	Name	Remarks	Qty	Model	Pos	Part Number	Name	Remarks	Qty	Model
34	4B0 877 385	guide locking segment	left	1							
(34)	4B0 877 386	guide locking segment	right	1							
37	8D5 877 421	spacer		2							
38	8D5 877 151	guide	left	1							
(38)	8D5 877 152	guide	right	1							
40	8D5 877 483	guide	left front	1							
(40)	8D5 877 484	guide	right front	1							
41	8D5 898 015	guide with cable comprising:	left/right rear	1							


Model	Year	MG	SG	Illustration	Restrictions	UPD	22:09	11.12.2006		ETKA
PA	2005	8	77	877-10		597	USA			

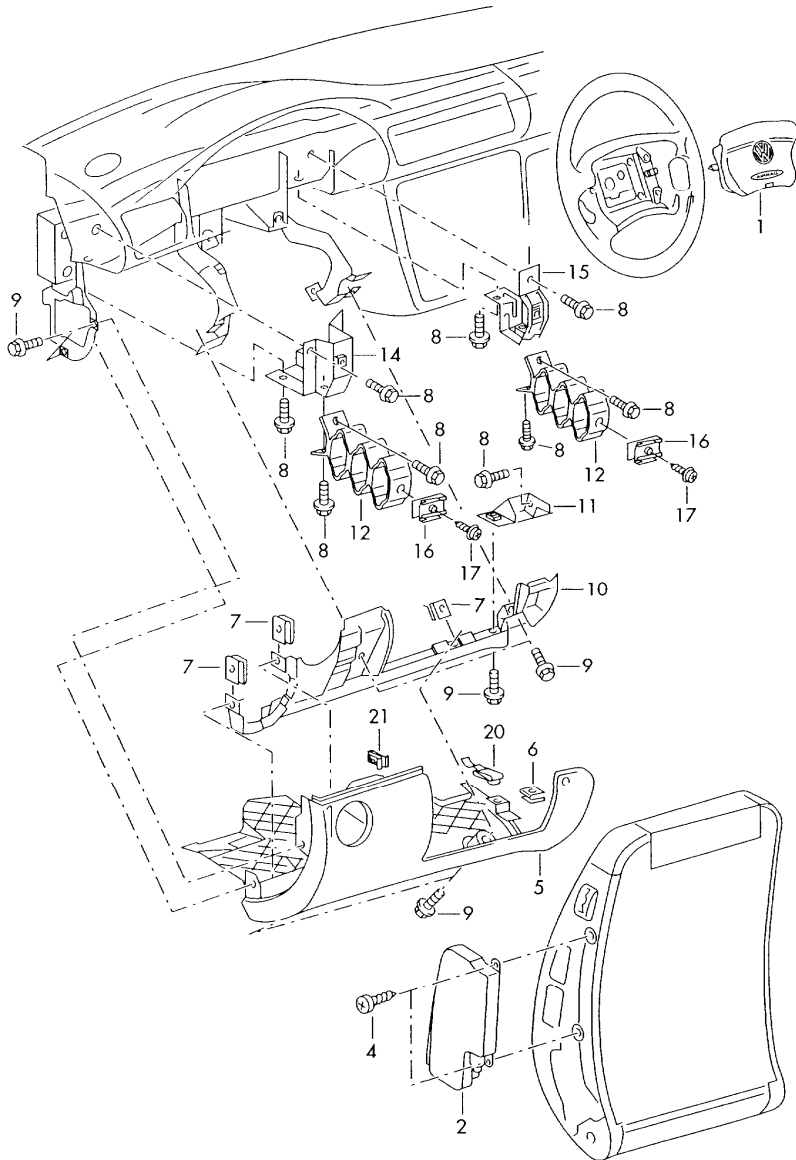


Pos	Part Number	Name	Remarks	Qty	Model
		solar sliding roof	WEBASTO		PR-3FR
1	4B0 877 071 J	solar sliding roof panel		1	
-	3B0 998 371	repair kit for solar sliding roof adapter wiring harness spring contact		1	
2	8E0 877 297	gasket		1	
3	8D0 877 721 C	innensechsrund-linsenschraube, selbstsichernd	M5X14	6	
4	4B0 877 255 A	frame for sliding roof opening with cover for solar sliding roof		1	
	05/02-06/05MPV	pearl grey	-BJ, FP, FQ, GA, GB, JC, JJ, JL, NG, RN, RW, TW, TX, TZ, VA, VB, XR, XT, YU, YY, ZA, ZH, ZR, ZT, NJ, 53, BH, BK, BM, FA, FH, GT, GU, JF, JH, LM, LP, MX, MY, NC, ND, NM, NQ, OW, QZ, RU, RV, VN, VP, VT, XA, XB		
	05/02-10/03PMW	sunshine beige	-GC, JD, NH, TY, VD, XS, ZJ, ZS, 54		
	11/03-06/05SEE	beige	-BL, GV, JG, LT, MZ, NN, QY, VU, XE		
5	4B0 877 165	guide piece		1	
-	4B0 877 975 A	retaining spring frame for sliding roof opening with cover	front center	1	
-	4B0 907 207 A	voltage transformer		1	
(10)	4B5 877 049 E	frame with operating mechanism		1	
(11)	N 907 498 01	innensechsrund-linsenschraube	M6X12	10	
(13)	3B0 877 231 A	water drain hose	front	1	
(13)	3B7 877 233	water drain hose	rear	2	sedan


Model	Year	MG	SG	Illustration	Restrictions	UPD	22:09	11.12.2006		ETKA
PA	2005	8	77	877-10		597	USA			

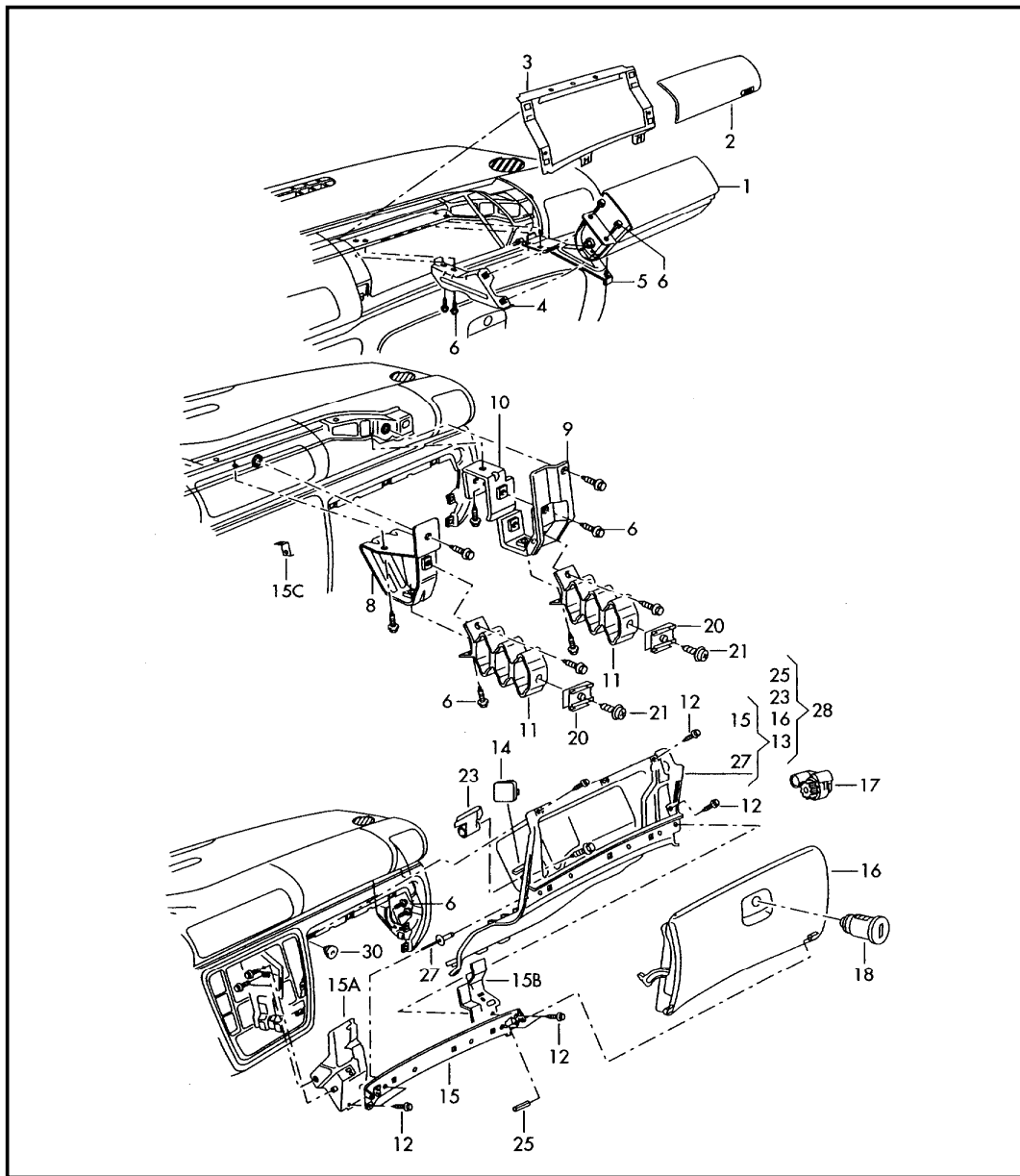
Pos	Part Number	Name	Remarks	Qty	Model	Pos	Part Number	Name	Remarks	Qty	Model
(13)	3B9 877 233 E	water drain hose	rear	2	wagon: PR-4X0,4X1	25	8D9 877 721	innensechsrund-linsenschraube	M5X33	3	
(13)	3B9 877 203	water drain hose	rear	2	wagon: PR-4X3,4X8						
-	3B7 877 237	clip water drain hose		2							
14	1J0 877 242	drain tube grommet	front	2							
15	1J0 877 242	drain tube grommet	rear	2	sedan						
(15)	8D0 877 242	drain tube grommet	rear	2	wagon						
18	8D9 877 695	pressure spring wind deflector		2							
(19)	8D9 877 651 A	wind deflector		1							
20-21		not a spare part									
22	3B0 877 829 E	cover sliding roof motor		1							
	05/02-10/034R4	sunshine beige	-GC, JD, NH, TY, VD, XS, YT, ZJ, ZS, 54								
	05/02-10/036K8	pearl grey	-BJ, FB, FQ, GA, GB, JC, JJ, JL, NG, RN, RW, TW, TX, TZ, VA, VB, XR, XT, YU, YY, ZA, ZH, ZR, ZT, NJ, 53								
(22)	3B0 877 829 E	cover sliding roof motor		1	PR-4UE,4UB						
	11/03-06/053U5	beige	-BL, GV, JG, LT, MZ, NN, QY, VU, XE								
	11/03-06/056K8	pearl grey	-BH, BK, BM, FA, FH, GT, GU, JF, JH, LM, LP, MX, MY, NC, ND, NM, NQ, QW, QZ, RU, RV, VN, VP, VT, XA, XB								
23	895 877 849	crank for winding gear		1							
24		see illustration:	959-00								

Model	Year	MG	SG	Illustration	Restrictions	UPD	22:09	11.12.2006		ETKA
PA	2005	8	80	880-00		597	USA			




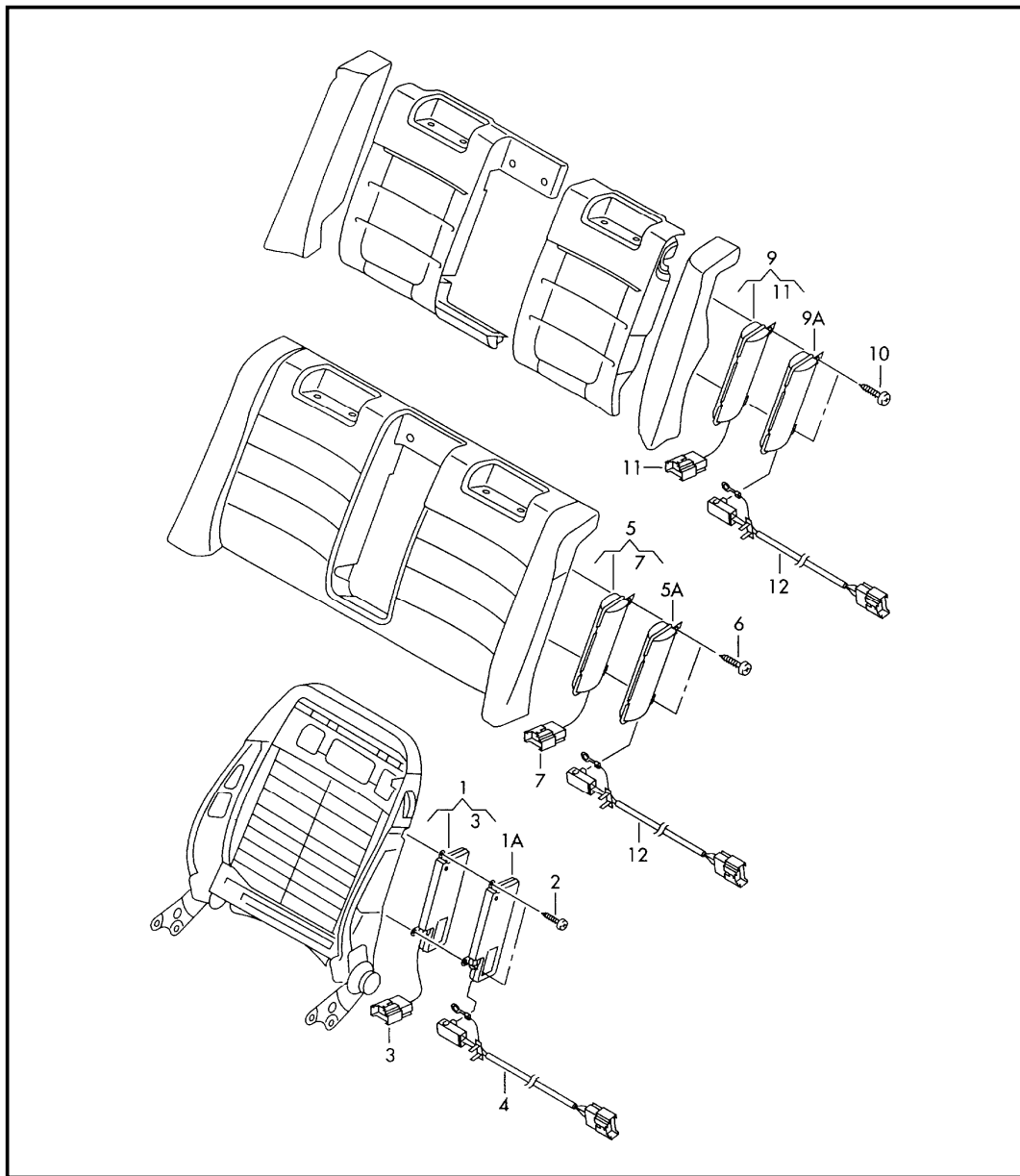
Pos	Part Number	Name	Remarks	Qty	Model
		airbag (drivers side) ** caution dangerous cargo ** see workshop manual -----			
(1)	3B0 880 201 BM	airbag unit for steering wheel ** only order for ** ** immediate installation **	TRW	1	PR-1MR,2PQ
f	05/02-06/054EC	black			
(1)	3B0 880 201 BK	airbag unit for sport steering wheel ** only order for ** ** immediate installation **	leather PETRI	1	PR-2PX
f	05/02-06/054EC	black			
(1)	3B0 880 201 BK	airbag unit for sport steering wheel ** only order for ** ** immediate installation **	wood/leather PETRI	1	PR-1XU,1XS, 1XT,1MK
f	05/02-06/054EC	black			
(1)	1J0 880 201 K	airbag unit for steering wheel for vehicles with multifunc- tion steering wheel ** only order for ** ** immediate installation **	TRW/MST	1	PR-2ZB+4LF, 4LB,4LL
f	05/02-06/054EC	black			
2		see illustration:	880-20		
4		see illustration:	880-20		

Model	Year	MG	SG	Illustration	Restrictions	UPD	22:09	11.12.2006		ETKA
PA	2005	8	80	880-10		597	USA			




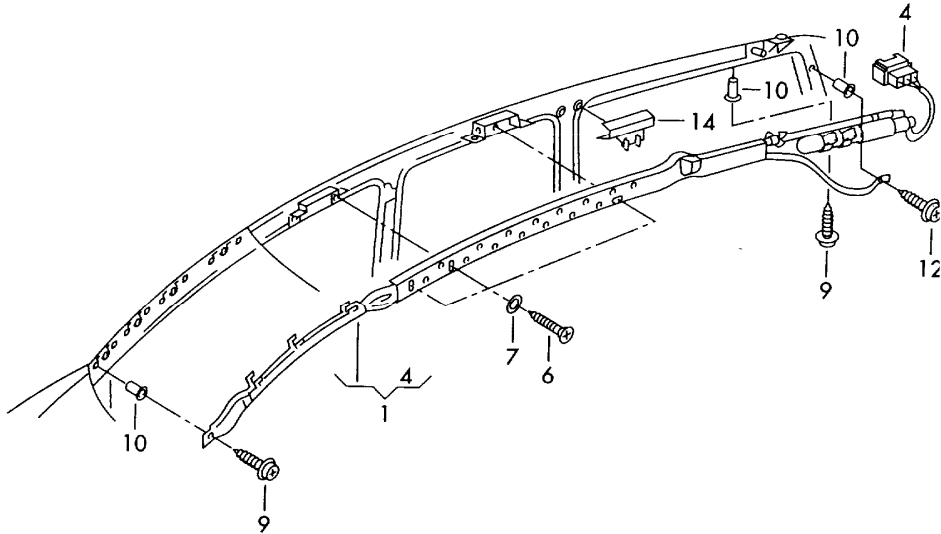
Pos	Part Number	Name	Remarks	Qty	Model
		airbag (passenger side)			
		** caution dangerous cargo ** see workshop manual			
1	f 3B0 880 204 E	airbag unit (passenger side) ** only order for ** ** immediate installation ** F >> 3B-4-400 000*		1	
(1)	f 3B0 880 204 G	airbag unit (passenger side) ** only order for ** ** immediate installation ** F 3B-5-000 001>>*		1	
(2)	3B1 880 261 D	cover for vehicles with airbag	lhd	1	
	05/02-10/032L4	platinum gray - dark	-FQ, GB, GC, JC, JD, NH, RN, TX, TY, VB, VD, XS, YT, ZH, ZJ, ZS NJ, 54		
	11/03-06/058BL	walnut	-BL, GV, JG, LT, MZ, NN, QY, VU, XE		
	05/02-10/0327Y	black	-BJ, FP, GA, JJ, JL, NG, RW, TW, TZ, VA, XR, XT, YU, YY, ZA, ZR, ZT, 53		
	11/03-06/05AA9	anthracite	-BH, BK, BM, FA, FH, GT, GU, JF, JH, LM, LP, MX, MY, NC, ND, NM, NQ, QW, QZ, RU, RV, VN, VP, VT, XA, XB, 93, 94, 95		
3	3B1 880 216	retaining frame	lhd	1	
4	3B1 880 263 A	retaining plate	left	lhd	1
(5)	3B1 880 264 B	retaining plate	right	lhd	1
6	N 906 546 01	bolt, hex. hd. with pin (combi)	M6X18,25-TO	X	

Model	Year	MG	SG	Illustration	Restrictions	UPD	22:09	11.12.2006		ETKA
PA	2005	8	80	880-20		597	USA			

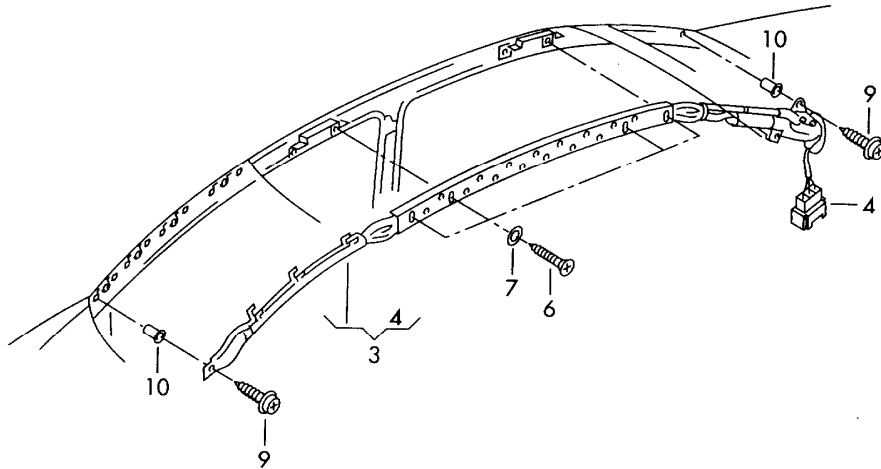



Pos	Part Number	Name	Remarks	Qty	Model
		side air bag unit ** caution dangerous cargo ** see workshop manual	front		
(1A)	3B0 880 241 F	side air bag unit ** only order for ** ** immediate installation **	left RECARO	1	
f	05/02-10/03E74	black	-XR,ZR		
	11/03-06/057B4	anthracite	-JF,NM		
f	05/02-06/0568H	petrol (green)	-XT,ZT,JH,NQ		
f	05/02-10/0369J	sunshine beige	-XS,ZS		
	11/03-06/057C7	beige	-JG,NN		
(1A)	3B0 880 242 F	side air bag unit ** only order for ** ** immediate installation **	right RECARO	1	
f	05/02-10/03E74	black	-XR,ZR		
	11/03-06/057B4	anthracite	-JF,NM		
f	05/02-06/0568H	petrol (green)	-XT,ZT,JH,NQ		
f	05/02-10/0369J	sunshine beige	-XS,ZS		
	11/03-06/057C7	beige	-JG,NN		
(1A) f	3B0 880 241 H	side air bag unit ** only order for ** ** immediate installation **	left	1	
(1A) f	3B0 880 242 H	side air bag unit ** only order for ** ** immediate installation **	right	1	
2	N 013 973 4	tapping screw, fill. hd.	BZ5,5X13	4	
(2) +	N 010 205 6	screw, hex. hd. see workshop manual	M5X10	4	
(2) +	N 022 154 4	hex. nut, self-locking see workshop manual	M5	4	
4		see illustration:	BT 972-25		

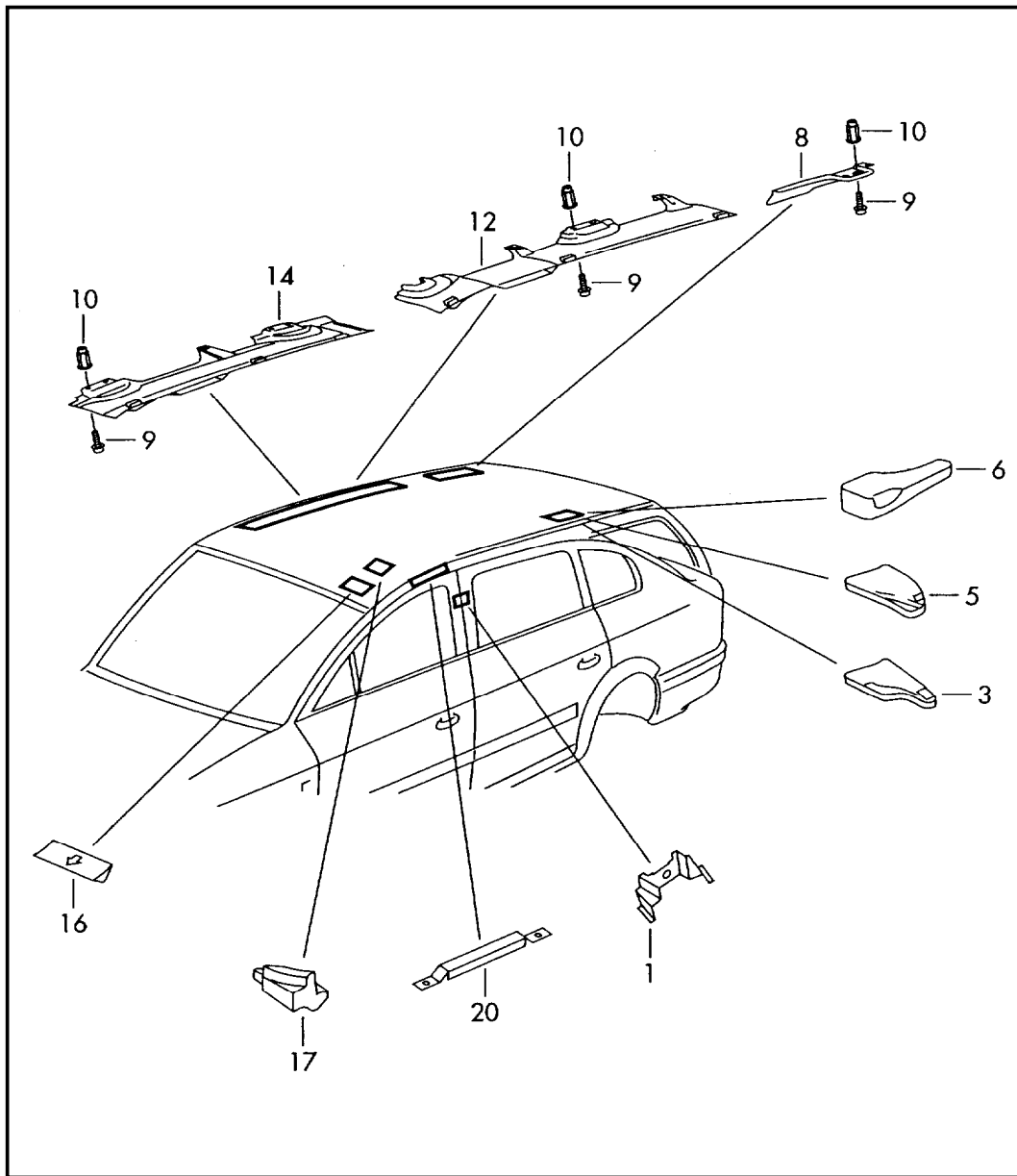
Model	Year	MG	SG	Illustration	Restrictions	UPD	22:09	11.12.2006		ETKA
PA	2005	8	80	880-30		597	USA			




Pos	Part Number	Name	Remarks	Qty	Model
		head airbag unit ** caution dangerous cargo ** see workshop manual			wagon
(1) f	3B9 880 741 K	head airbag unit ** only order for ** ** immediate installation **	left	1	PR-K8D,4X8
(1) f	3B9 880 742 K	head airbag unit ** only order for ** ** immediate installation **	right	1	PR-K8D,4X8
4	6X0 972 783	flat contact housing airbag for single wiring:	3 pin yellow 000 979 132 A	1 X	
6	N 909 608 01	innensechsrund-blechschaube	ST 4,8X45	6	
9	N 104 829 01	shouldered bolt	M5X25-PF	6	
10	N 908 146 01	rivetted cap nut	M5/0,5-3-E	6	
12	N 907 290 02	fill. hd. screw (combi.)	M5X16	2	
(14)	3B9 880 755	guide piece for vehicles with head airbag	left	1	
14	3B9 880 756	guide piece for vehicles with head airbag	right	1	
-	333 867 633	rivet		6	
+	05/02-06/054FB	black			
		head airbag unit ** caution dangerous cargo ** see workshop manual			sedan
(3) f	3B5 880 741 H	head airbag unit ** only order for ** ** immediate installation **	left	1	PR-K8B,4X8
(3) f	3B5 880 742 H	head airbag unit ** only order for ** ** immediate installation **	right	1	PR-K8B,4X8
4	6X0 972 783	flat contact housing airbag for single wiring:	3 pin yellow 000 979 132 A	1 X	
6	N 909 608 01	innensechsrund-blechschaube	ST 4,8X45	8	
9	N 104 829 01	shouldered bolt	M5X25-PF	6	
10	N 908 146 01	rivetted cap nut	M5/0,5-3-E	6	




Model	Year	MG	SG	Illustration	Restrictions	UPD	22:10	11.12.2006		ETKA
PA	2005	8	80	880-50		597	USA			

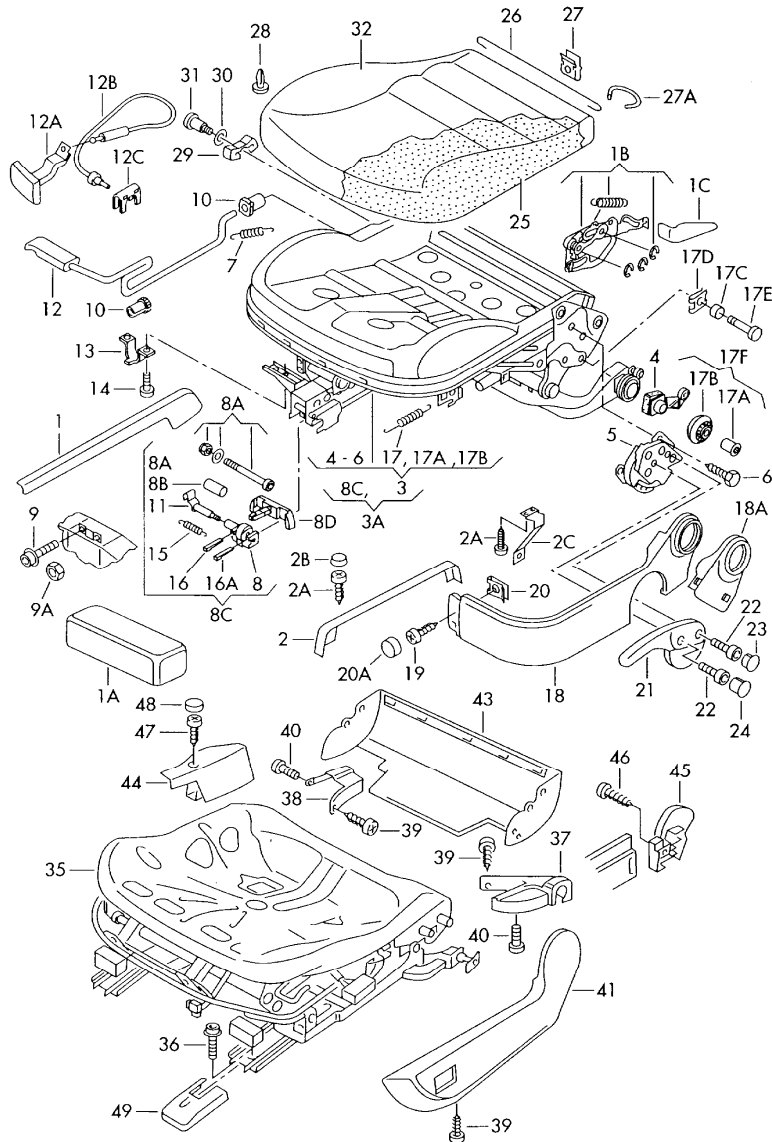


Pos	Part Number	Name	Remarks	Qty	Model
		deformation element for vehicles with head airbag	upper		
1	3B0 880 699 A	deformation element pillar b	left a. right upper	2	
3	3B5 880 675 B	deformation element for moulded headlining	left rear	1	sedan: PR-3FA
(3)	3B5 880 676 B	deformation element for moulded headlining	right rear	1	sedan: PR-3FA
5	3B5 880 675 C	deformation element for moulded headlining for vehicles with glass sliding roof	left rear	1	sedan: PR-3FE/3FR
(5)	3B5 880 676 C	deformation element for moulded headlining for vehicles with glass sliding roof	right rear	1	sedan: PR-3FE/3FR
6	3B9 880 675 B	deformation element for moulded headlining for vehicles with glass sliding roof	left rear	1	wagon: PR-3FE/3FR
(6)	3B9 880 676 B	deformation element for moulded headlining for vehicles with glass sliding roof	right rear	1	wagon: PR-3FE/3FR
(8)	3B5 880 681 B	deformation element pillar c	left upper	1	sedan
8	3B5 880 682 B	deformation element pillar c	right upper	1	sedan
9	N 907 290 02	fill. hd. screw (combi.)	M5X16	X	
10	N 908 146 01	rivetted cap nut	M5/0,5-3-E	X	
(12)	3B9 880 671 A	deformation element roof frame	left upper	1	wagon: PR-3FA
12	3B9 880 672 A	deformation element roof frame	right upper	1	wagon: PR-3FA
(14)	3B5 880 671 A	deformation element roof frame	left upper	1	sedan: PR-3FA
14	3B5 880 672 A	deformation element roof frame	right upper	1	sedan: PR-3FA
16	3B5 880 695	deformation element for moulded headlining	left a. right front	2	sedan: PR-3FA


Model	Year	MG	SG	Illustration	Restrictions	UPD	22:10	11.12.2006		ETKA
PA	2005	8	80	880-50		597	USA			

Pos	Part Number	Name	Remarks	Qty	Model	Pos	Part Number	Name	Remarks	Qty	Model
(17)	3B0 880 693 C	deformation element for vehicles with glass sliding roof	left front	1	sedan: PR-3FE/3FR						
17	3B0 880 694 C	deformation element for vehicles with glass sliding roof	right front	1	sedan: PR-3FE/3FR						
20	3B0 880 615 A	deformation element grab handle	front, upper	2	PR-3FA						


Model	Year	MG	SG	Illustration	Restrictions	UPD	22:10	11.12.2006		ETKA
PA	2005	8	81	881-00		597	USA			




Pos	Part Number	Name	Remarks	Qty	Model
		seat frame F >> 3B-4-160 000*	front		
1	3B0 881 087 D	cover for channel	left inner	1	
	05/02-10/03B41	satin black	-BJ, FP, GA, JJ, JL, NG, RW, TW, VA, XR, YY, ZA, ZR, 53		
	05/02-10/03U71	flannel grey	-FQ, GB, JC, RN, TX, VB, ZH		
	05/02-10/037H7	sunshine beige	-GC, JD, TY, VD, XS, YT, ZJ, ZS, 54		
(1)	1J0 881 088 D	cover for channel	right inner	1	
	05/02-10/03B41	satin black	-BJ, FP, GA, JJ, JL, NG, RW, TW, VA, XR, YY, ZA, ZR, 53		
	05/02-10/03U71	flannel grey	-FQ, GB, JC, RN, TX, VB, ZH		
	05/02-10/037H7	sunshine beige	-GC, JD, TY, VD, XS, YT, ZJ, ZS, 54		
1A	4B0 881 097	cap motor for seat adjustment for longitudinal adjustment	left	1	PR-3L4, 3L5, 3L6
	05/02-10/0301C	satin black	-BJ, FP, GA, JJ, JL, NG, RW, TW, VA, XR, YY, ZA, ZR, 53		
	05/02-10/03U71	flannel grey	-FQ, GB, JC, RN, TX, VB, ZH		
	05/02-07/0289H	sunshine beige	-GC, JD, TY, VD, XS, YT, ZJ, ZS, 54		
	05/02-10/037H7	sunshine beige	-GC, JD, TY, VD, XS, YT, ZJ, ZS, 54		
(1A)	4B0 881 098	cap motor for seat adjustment for longitudinal adjustment	right	1	PR-3L4, 3L5, 3L6

Model	Year	MG	SG	Illustration	Restrictions	UPD	22:10	11.12.2006		ETKA
PA	2005	8	81	881-00		597	USA			


Pos	Part Number	Name	Remarks	Qty	Model	Pos	Part Number	Name	Remarks	Qty	Model
	05/02-10/0301C	satin black	-BJ, FP, GA, JJ, JL, NG, RW, TW, VA, XR, YY, ZA, ZR, 53				05/02-10/03B41	satin black	-BJ, FP, GA, JJ, JL, NG, RW, TW, VA, XR, YY, ZA, ZR, 53		
	05/02-10/03U71	flannel grey	-FQ, GB, JC, RN, TX, VB, ZH				05/02-10/03U71	flannel grey	-FQ, GB, JC, RN, TX, VB, ZH		
	05/02-07/0289H	sunshine beige	-GC, JD, TY, VD, XS, YT, ZJ, ZS, 54				05/02-10/037H7	sunshine beige	-GC, JD, TY, VD, XS, YT, ZJ, ZS, 54		
	05/02-10/037H7	sunshine beige	-GC, JD, TY, VD, XS, YT, ZJ, ZS, 54			2C	1J0 881 567	retaining bracket for vehicles with electrically adjustable 8-way seats	left outer	1	PR-3L4, 3L5, 3L6
2	1J0 881 347 D	cover for channel	left outer	1		(2C)	1J0 881 568	retaining bracket for vehicles with electrically adjustable 8-way seats	right outer	1	PR-3L4, 3L5, 3L6
	05/02-10/03B41	satin black	-BJ, FP, GA, JJ, JL, NG, RW, TW, VA, XR, YY, ZA, ZR, 53			3A	3B0 881 105 AR	seat frame with height adjustment	left	1	PR-3L1, 3L3
	05/02-10/03U71	flannel grey	-FQ, GB, JC, RN, TX, VB, ZH					as required use:	POS. 10 BT 963-00		
	05/02-10/037H7	sunshine beige	-GC, JD, TY, VD, XS, YT, ZJ, ZS, 54			(3A)	3B0 881 107	seat frame (electrically adjustable) for vehicles with electric memory seat and backrest adjustment	left	1	PR-3L4, 3L5, 3L6
(2)	1J0 881 348 F	cover for channel	right outer	1				as required use:	POS. 2, 4, 5 BT 959-25		
	05/02-10/03B41	satin black	-BJ, FP, GA, JJ, JL, NG, RW, TW, VA, XR, YY, ZA, ZR, 53			(3A)	3B0 881 106 AR	seat frame with height adjustment	right	1	PR-3L2, 3L3
	05/02-10/03U71	flannel grey	-FQ, GB, JC, RN, TX, VB, ZH					as required use:	POS. 10 BT 963-00		
	05/02-10/037H7	sunshine beige	-GC, JD, TY, VD, XS, YT, ZJ, ZS, 54			(3A)	3B0 881 108	seat frame (electrically adjustable) for vehicles with electric memory seat and backrest adjustment	right	1	PR-3L4, 3L5, 3L5
								as required use:	POS. 2, 4, 5 BT 959-25		
2A	+ N 013 965 5	tapping screw, fill. hd. F	B4, 2X9, 5	4		-	1J4 898 031	repair kit for seat	4-door	1	
			>> 3B-4-160 000*			-	4B0 898 399	1 set guide pieces		1	
(2A)	N 106 046 02	innensechsrund-blechschaube F 3B-4-160 001>>*	ST4, 2X9, 5-F	4		4	1J0 882 239 C	guide roller seat	left left	1	
2B	1J0 881 637 A	cap		4		(4)	1J0 882 240 B	guide roller seat	right right	1	

Model	Year	MG	SG	Illustration	Restrictions	UPD	22:10	11.12.2006		ETKA
PA	2005	8	81	881-00		597	USA			


Pos	Part Number	Name	Remarks	Qty	Model	Pos	Part Number	Name	Remarks	Qty	Model
(4)	1J0 882 241 C	guide roller seat	right left	1		16A	1J0 881 204 A	guide piece		2	PR-3L1,3L2,3L3
(4)	1J0 882 242 C	guide roller seat	left right	1		17	1J0 881 245 C	tension spring for height-adjustment	left	2	PR-3L1,3L2,3L3
5	1J0 881 053 D	adjuster (height adjustment)	left	1		17A	1J0 882 267	shouldered nut with multipoint socket head	outer	2	
(5)	1J0 881 054 D	adjuster (height adjustment)	right	1		17B	1J0 882 260 A	roller	outer	2	
6	N 013 890 5	tapping screw,hex.hd.	ST6,3X13-C	2	PR-3L1,3L2,3L3	17F	1J0 882 270 B	roller with shouldered nut	inner	2	
8A	1J0 881 277	locking lever for seat		2	PR-3L1,3L2,3L3	18	1J4 881 317 G	trim panel for seat frame for seat frame with height adjustment	left outer	1	PR-3L1,3L2,3L3
8B	1J0 881 277 A	sleeve		2	PR-3L1,3L2,3L3		05/02-10/03B41	satin black	-BJ,FP,GA,JJ,JL,NG,RW,TW,VA,XR,YY,ZA,ZR,53		
(8C)	1J0 881 613 B	bracket for seat with release mechanism	left	1	PR-3L1,3L2,3L3		05/02-10/03U71	flannel grey	-FQ,GB,JC,RN,TX,VB,ZH		
(8C)	1J0 881 614 B	bracket for seat with release mechanism	right	1	PR-3L1,3L2,3L3		05/02-10/037H7	sunshine beige	-GC,JD,TY,VD,XS,YT,ZJ,ZS,54		
8D	1J0 881 249	stop guide		2	PR-3L1,3L2,3L3						
9A +	N 023 003 8	shouldered hex. nut, self-locking	AM8	4		(18)	1J4 881 317 J	trim panel for seat frame seat frame (electrically adjustable)	left outer	1	PR-3L4,3L5,3L6
12A	1J0 881 253 E	handle - seat longit.adjustm.	left	1	PR-3L1,3L2,3L3		05/02-10/03B41	satin black	-BJ,FP,GA,JJ,JL,NG,RW,TW,VA,XR,YY,ZA,ZR,53		
		05/02-10/03B41	satin black								
(12A)	1J0 881 254 E	handle - seat longit.adjustm.	right	1	PR-3L1,3L2,3L3		05/02-10/03U71	flannel grey	-FQ,GB,JC,RN,TX,VB,ZH		
		05/02-10/03B41	satin black				05/02-10/037H7	sunshine beige	-GC,JD,TY,VD,XS,YT,ZJ,ZS,54		
12B	1J0 881 265 C	bowden cable	left	1	PR-3L1,3L2,3L3						
(12B)	1J0 881 266 C	bowden cable	right	1	PR-3L1,3L2,3L3	(18)	1J4 881 318 H	trim panel for seat frame	right outer	1	PR-3L1
							05/02-10/03B41	satin black	-BJ,FP,GA,NG,VA,53		
12C	1J0 881 247 A	retaining spring bowden cable		2	PR-3L1,3L2,3L3		05/02-10/03U71	flannel grey	-FQ,GB,VB		
12D+	N 013 979 1	tapping screw, fill. hd.	B5,5X16	6			05/02-07/0289H	sunshine beige	-GC,NH,VD,54		
16	1J0 881 203 A	guide piece		2	PR-3L1,3L2,3L3	(18)	1J4 881 318 G	trim panel for seat frame for seat frame with height adjustment	right outer	1	PR-3L2,3L3

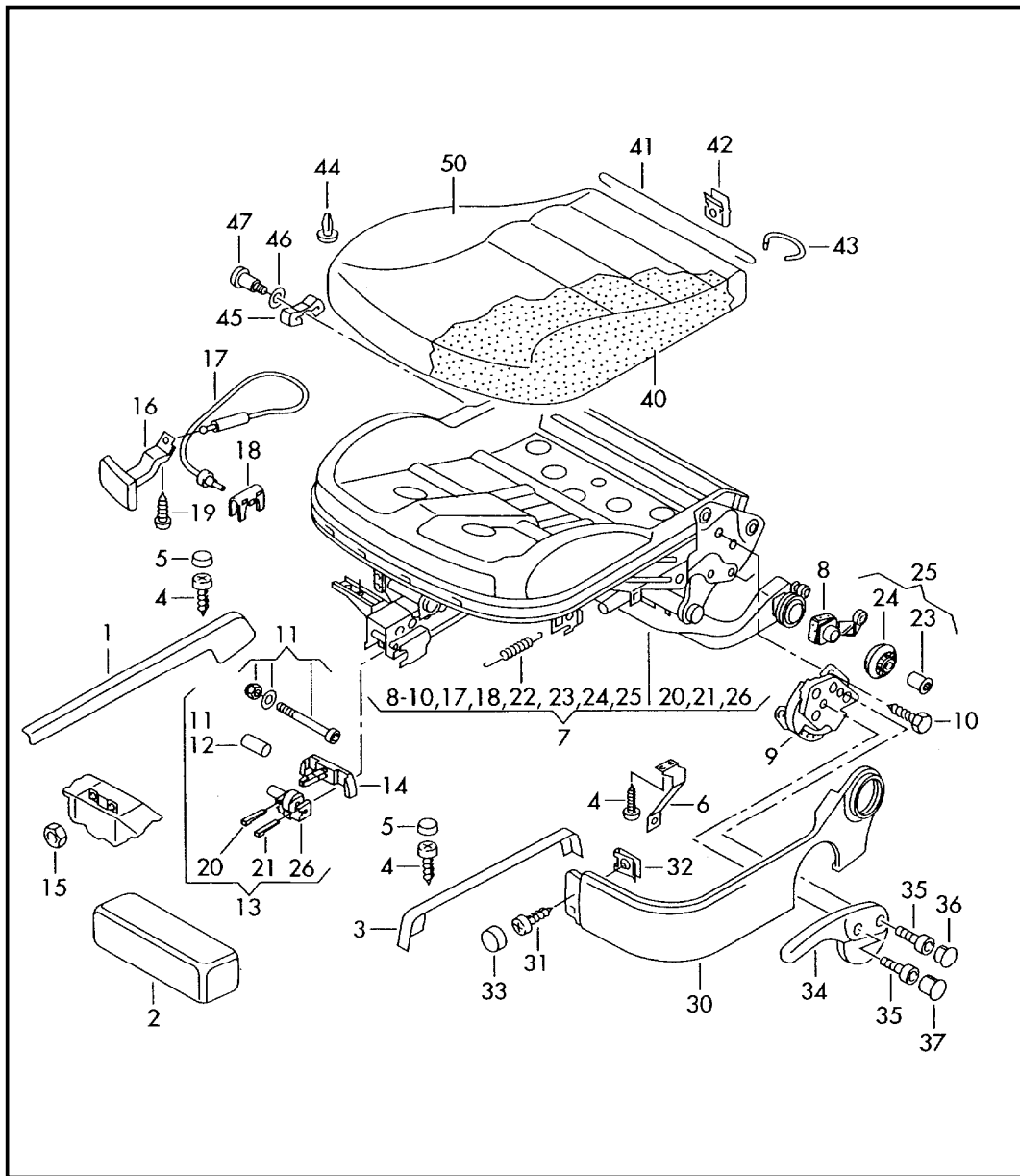
Model	Year	MG	SG	Illustration	Restrictions	UPD	22:10	11.12.2006		ETKA
PA	2005	8	81	881-00		597	USA			

Pos	Part Number	Name	Remarks	Qty	Model	Pos	Part Number	Name	Remarks	Qty	Model
	05/02-10/03B41	satin black	-BJ, FP, GA, JJ, JL, NG, RW, TW, VA, XR, YY, ZA, ZR, 53				05/02-10/03B41	satin black	-BJ, FP, GA, JJ, JL, NG, RW, TW, VA, XR, YY, ZA, ZR, 53		
	05/02-10/03U71	flannel grey	-FQ, GB, JC, RN, TX, VB, ZH				05/02-10/03U71	flannel grey	-FQ, GB, JC, RN, TX, VB, ZH		
	05/02-10/0389H	sunshine beige	-GC, JD, TY, VD, XS, YT, ZJ, ZS, 54				05/02-10/037H7	sunshine beige	-GC, JD, TY, VD, XS, YT, ZJ, ZS, 54		
	05/02-10/037H7	sunshine beige	-GC, JD, TY, VD, XS, YT, ZJ, ZS, 54			19	N 908 555 01	tapping screw	4, 2X11	2	
(18)	1J4 881 318 J	trim panel for seat frame seat frame (electrically adjustable)	right outer	1	PR-3L4, 3L5, 3L6	20	N 900 579 02	speed nut	B4, 2X12, 5X11, 5	2	
	05/02-10/03B41	satin black	-BJ, FP, GA, JJ, JL, NG, RW, TW, VA, XR, YY, ZA, ZR, 53			20A	357 867 169	cap		2	
	05/02-10/03U71	flannel grey	-FQ, GB, JC, RN, TX, VB, ZH				05/02-10/03B41	satin black	-BJ, FP, GA, JJ, JL, NG, RW, TW, VA, XR, YY, ZA, ZR, 53		
	05/02-10/037H7	sunshine beige	-GC, JD, TY, VD, XS, YT, ZJ, ZS, 54				05/02-10/03U71	flannel grey	-FQ, GB, JC, RN, TX, VB, ZH		
	05/02-10/037H7	sunshine beige	-GC, JD, TY, VD, XS, YT, ZJ, ZS, 54				05/02-10/037H7	sunshine beige	-GC, JD, TY, VD, XS, YT, ZJ, ZS, 54		
(18)	1J4 881 319 F	trim panel for seat frame for seat frame with height adjustment seat frame (electrically adjustable)	left inner	1	PR-3L2, 3L3, 3L4, 3L5, 3L6	21	1J0 882 251	handle - seat height adjustm.	left	1	PR-3L1, 3L2, 3L3
		for seat:	right	1			05/02-10/03B41	satin black	-BJ, FP, GA, JJ, JL, NG, RW, TW, VA, XR, YY, ZA, ZR, 53		
	05/02-10/03B41	satin black	-BJ, FP, GA, JJ, JL, NG, RW, TW, VA, XR, YY, ZA, ZR, 53				05/02-10/03U71	flannel grey	-FQ, GB, JC, RN, TX, VB, ZH		
	05/02-10/03U71	flannel grey	-FQ, GB, JC, RN, TX, VB, ZH				05/02-10/037H7	sunshine beige	-GC, JD, TY, VD, XS, YT, ZJ, ZS, 54		
	05/02-10/037H7	sunshine beige	-GC, JD, TY, VD, XS, YT, ZJ, ZS, 54			(21)	1J0 882 252	handle - seat height adjustm.	right	1	PR-3L1, 3L2, 3L3
(18)	1J4 881 320 F	trim panel for seat frame for seat frame with height adjustment for vehicles with electric operated seats	right inner	1	PR-3L1, 3L2, 3L3, 3L4, 3L5, 3L6		05/02-10/03B41	satin black	-BJ, FP, GA, JJ, JL, NG, RW, TW, VA, XR, YY, ZA, ZR, 53		
		for seat:	left	1			05/02-10/03U71	flannel grey	-FQ, GB, JC, RN, TX, VB, ZH		


Model	Year	MG	SG	Illustration	Restrictions	UPD	22:10	11.12.2006		ETKA
PA	2005	8	81	881-00		597	USA			

Pos	Part Number	Name	Remarks	Qty	Model	Pos	Part Number	Name	Remarks	Qty	Model
	05/02-10/037H7	sunshine beige	-GC, JD, TY, VD, XS, YT, ZJ, ZS, 54				05/02-10/0301C	satin black			
22	N 908 049 01	innensechsrund-linsenschraube	M5GFX12	4	PR-3L1,3L2	29	3B0 881 195	buffer		2	
23	1J0 881 171 B	cap handle	left/right	2	PR-3L1,3L2, 3L3	30	N 012 232 3	spring washer	B12X24X1,2	2	
	05/02-10/03B41	satin black	-BJ, FP, GA, JJ, JL, NG, RW, TW, VA, XR, YY, ZA, ZR, 53			31	N 906 990 01	fitted bolt, self-locking	M8X24,5	2	
	05/02-10/03U71	flannel grey	-FQ, GB, JC, RN, TX, VB, ZH			(32)	3B0 881 405 EF	seat covers F >> 3B-4-160 000*	front		
	05/02-10/037H7	sunshine beige	-GC, JD, TY, VD, XS, YT, ZJ, ZS, 54				05/02-10/03PDX	black	-GA		
24	1J0 881 171 C	cap handle	left/right	2	PR-3L1,3L2, 3L3	(32)	05/02-10/03PDY	flannel grey	-GB		
	05/02-10/03B41	satin black	-BJ, FP, GA, JJ, JL, NG, RW, TW, VA, XR, YY, ZA, ZR, 53				05/02-10/03PDZ	sunshine beige	-GC		
	05/02-10/03U71	flannel grey	-FQ, GB, JC, RN, TX, VB, ZH			(32)	3B0 881 405 EK	seat cover (leather/leathe- rette) with heater element		2	PR-N0U+Q2J+ 4A0,4A3
	05/02-10/037H7	sunshine beige	-GC, JD, TY, VD, XS, YT, ZJ, ZS, 54					also use:	3B0 963 556 B	1	
25	3B0 881 375 H	padding for seat		2	PR-Q1A		05/02-10/03LGL	black	-VA		
(25)	3B0 881 375 R	padding for seat		2	PR-Q2J+N0U, N0X,N7W		05/02-10/03LGN	sunshine beige	-VD		
(25)	3B7 881 375	padding for seat		2	PR-Q2J+N5E		(32)	3B0 881 405 EA	seat cover (leather/leathe- rette) with heater element	2	PR-N0X+Q2J
(25)	3B0 881 375 S	padding for seat		2	PR-Q4H+N0N, N7K			also use:	3B0 963 556 B	1	
(25)	3B0 881 375 P	padding for seat for horizontal seams:	3	2	PR-Q4H+N7J		05/02-10/03LGM	flannel grey	-VB		
26	N 901 626 06	upholstery wire	2,8X368	X							
27	4A0 881 449 A	clamp		X							
27A	N 015 261 1	clamp	20X1,8	X							
28	171 881 449 A	clip		X							


Model	Year	MG	SG	Illustration	Restrictions	UPD	22:11	11.12.2006		ETKA
PA	2005	8	81	881-05		597	USA			




Pos	Part Number	Name	Remarks	Qty	Model
		seat frame F 3B-4-160 001>>*	front		
1	3B0 881 087 D	cover for channel	left inner	1	
	11/03-06/05U71	flannel grey	-BK, FH, GU, LP, MY, ND, RV, VP, XB		
	11/03-06/057G8	beige	-BL, GV, LT, MZ, QY, VU, XE		
	11/03-06/0571N	anthracite	-BH, BM, FA, GT, LM, MX, NC, QW, QW, RU, VN, VT, XA, 93, 95		
(1)	1J0 881 088 D	cover for channel	right inner	1	
	11/03-06/057G8	beige	-BL, GV, LT, MZ, QY, VU, XE		
	11/03-06/0571N	anthracite	-BH, BM, FA, GT, LM, MX, NC, QW, QW, RU, VN, VT, XA, 93, 95		
	11/03-06/05U71	flannel grey	-BK, FH, GU, LP, MY, ND, RV, VP, XB		
2	4B0 881 097	cap motor for seat adjustment for longitudinal adjustment	left	1	
	11/03-06/05U71	flannel grey	-BK, FH, GU, LP, MY, ND, RV, VP, XB		
	11/03-06/057G8	beige	-BL, GV, LT, MZ, QY, VU, XE		
	11/03-06/0571N	anthracite	-BH, BM, FA, GT, LM, MX, NC, QW, QW, RU, VN, VT, XA, 93, 95		
(2)	4B0 881 098	cap motor for seat adjustment for longitudinal adjustment	right	1	
	11/03-06/057G8	beige	-BL, GV, LT, MZ, QY, VU, XE		

Model	Year	MG	SG	Illustration	Restrictions	UPD	22:11	11.12.2006		ETKA
PA	2005	8	81	881-05		597	USA			


Pos	Part Number	Name	Remarks	Qty	Model	Pos	Part Number	Name	Remarks	Qty	Model
	11/03-06/0571N	anthracite	-BH, BM, FA, GT, LM, MX, NC, QW, QW, RU, VN, VT, XA, 93, 95			6	1J0 881 567	retaining bracket for vehicles with electri- cally adjustable 8-way seats	left outer	1	
	11/03-06/05U71	flannel grey	-BK, FH, GU, LP, MY, ND, RV, VP, XB			(6)	1J0 881 568	retaining bracket for vehicles with electri- cally adjustable 8-way seats	right outer	1	
3	1J0 881 347 D	cover for channel	left outer	1		7	3B0 881 105 AR	seat frame with hight adjustment as required use:	left POS. 10 BT 963-00	1	PR-3L1, 3L3
	11/03-06/057G8	beige	-BL, GV, LT, MZ, QY, VU, XE			(7)	3B0 881 107	seat frame (electrically adjustable) for vehicles with electric memory seat and backrest adjustment as required use:	left POS. 2,4,5 BT 959-25	1	PR-3L4, 3L5, 3L6
	11/03-06/0571N	anthracite	-BH, BM, FA, GT, LM, MX, NC, QW, QW, RU, VN, VT, XA, 93, 95			(7)	3B0 881 106 AR	seat frame with hight adjustment as required use:	right POS. 10 BT 963-00	1	PR-3L2, 3L3
(3)	1J0 881 348 F	cover for channel	right outer	1		(7)	3B0 881 108	seat frame (electrically adjustable) for vehicles with electric memory seat and backrest adjustment as required use:	right POS. 2,4,5 BT 959-25	1	PR-3L4, 3L5, 3L6
	11/03-06/057G8	beige	-BL, GV, LT, MZ, QY, VU, XE								
	11/03-06/0571N	anthracite	-BH, BM, FA, GT, LM, MX, NC, QW, QW, RU, VN, VT, XA, 93, 95								
	11/03-06/05U71	flannel grey	-BK, FH, GU, LP, MY, ND, RV, VP, XB			-	1J4 898 031	repair kit for seat		1	
						-	4B0 898 399	1 set guide pieces		1	
4	N 106 046 02	innensechsrund-blechschraube	ST4, 2X9, 5-F	4		8	1J0 882 239 C	guide roller seat	left left	1	
5	1J0 881 637 A	cap		4		(8)	1J0 882 240 C	guide roller seat	right right	1	
	11/03-06/05U71	flannel grey	-BK, FH, GU, LP, MY, ND, RV, VP, XB			(8)	1J0 882 241 C	guide roller seat	right left	1	
	11/03-06/057G8	beige	-BL, GV, LT, MZ, QY, VU, XE			(8)	1J0 882 242 C	guide roller seat	left right	1	
	11/03-06/0571N	anthracite	-BH, BM, FA, GT, LM, MX, NC, QW, QW, RU, VN, VT, XA, 93, 95			9	1J0 881 053 D	adjuster (height adjustment)	left	1	
						(9)	1J0 881 054 D	adjuster (height adjustment)	right	1	
						10	N 013 890 5	tapping screw, hex. hd.	ST6, 3X13-C	2	

Model	Year	MG	SG	Illustration	Restrictions	UPD	22:11	11.12.2006		ETKA
PA	2005	8	81	881-05		597	USA			


Pos	Part Number	Name	Remarks	Qty	Model	Pos	Part Number	Name	Remarks	Qty	Model
11	1J0 881 277	locking lever for seat		2			11/03-06/0571N	anthracite	-BH, BM, FA, GT, LM, MX, NC, QW, QW, RU, VN, VT, XA, 93, 95		
12	1J0 881 277 A	sleeve		2							
(13)	1J0 881 613 B	bracket for seat with release mechanism	left	1		(30)	1J4 881 317 J	trim panel for seat frame seat frame (electrically adjustable)	left outer	1	
(13)	1J0 881 614 B	bracket for seat with release mechanism	right	1			11/03-06/05U71	flannel grey	-BK, FH, GU, LP, MY, ND, RV, VP, XB		
14	1J0 881 249	stop guide		2							
15	+ N 023 003 8	shouldered hex. nut, self-locking	AM8	4			11/03-06/057G8	beige	-BL, GV, LT, MZ, QY, VU, XE		
16	1J0 881 253 E	handle - seat longit.adjustm.	left	1			11/03-06/0571N	anthracite	-BH, BM, FA, GT, LM, MX, NC, QW, QW, RU, VN, VT, XA, 93, 95		
	11/03-06/05B41	satin black									
(16)	1J0 881 254 E	handle - seat longit.adjustm.	right	1		(30)	1J4 881 318 H	trim panel for seat frame	right outer	1	
	11/03-06/05B41	satin black					11/03-06/05U71	flannel grey	-BK, FH, GU, LP, MY, ND, RV, VP, XB		
17	1J0 881 265 C	bowden cable	left	1							
(17)	1J0 881 266 C	bowden cable	right	1			11/03-06/057G8	beige	-BL, GV, LT, MZ, QY, VU, XE		
18	1J0 881 247 A	retaining spring bowden cable		2			11/03-06/0571N	anthracite	-BH, BM, FA, GT, LM, MX, NC, QW, QW, RU, VN, VT, XA, 93, 95		
19	+ N 013 979 1	tapping screw, fill. hd.	B5,5X16	6							
20	1J0 881 203 A	guide piece		2							
21	1J0 881 204 A	guide piece		2		(30)	1J4 881 318 G	trim panel for seat frame for seat frame with height adjustment	right outer	1	
22	1J0 881 245 C	tension spring for height-adjustment	left	2			11/03-06/057G8	beige	-BL, GV, LT, MZ, QY, VU, XE		
23	1J0 882 267	shouldered nut with multipoint socket head	outer	2			11/03-06/0571N	anthracite	-BH, BM, FA, GT, LM, MX, NC, QW, QW, RU, VN, VT, XA, 93, 95		
24	1J0 882 260 A	roller	outer	2							
25	1J0 882 270 B	roller with shouldered nut	inner	2							
30	1J4 881 317 G	trim panel for seat frame	left outer	1			11/03-06/05U71	flannel grey	-BK, FH, GU, LP, MY, ND, RV, VP, XB		
	11/03-06/05U71	flannel grey	-BK, FH, GU, LP, MY, ND, RV, VP, XB								
	11/03-06/057G8	beige	-BL, GV, LT, MZ, QY, VU, XE			(30)	1J4 881 318 J	trim panel for seat frame seat frame (electrically adjustable)	right outer	1	

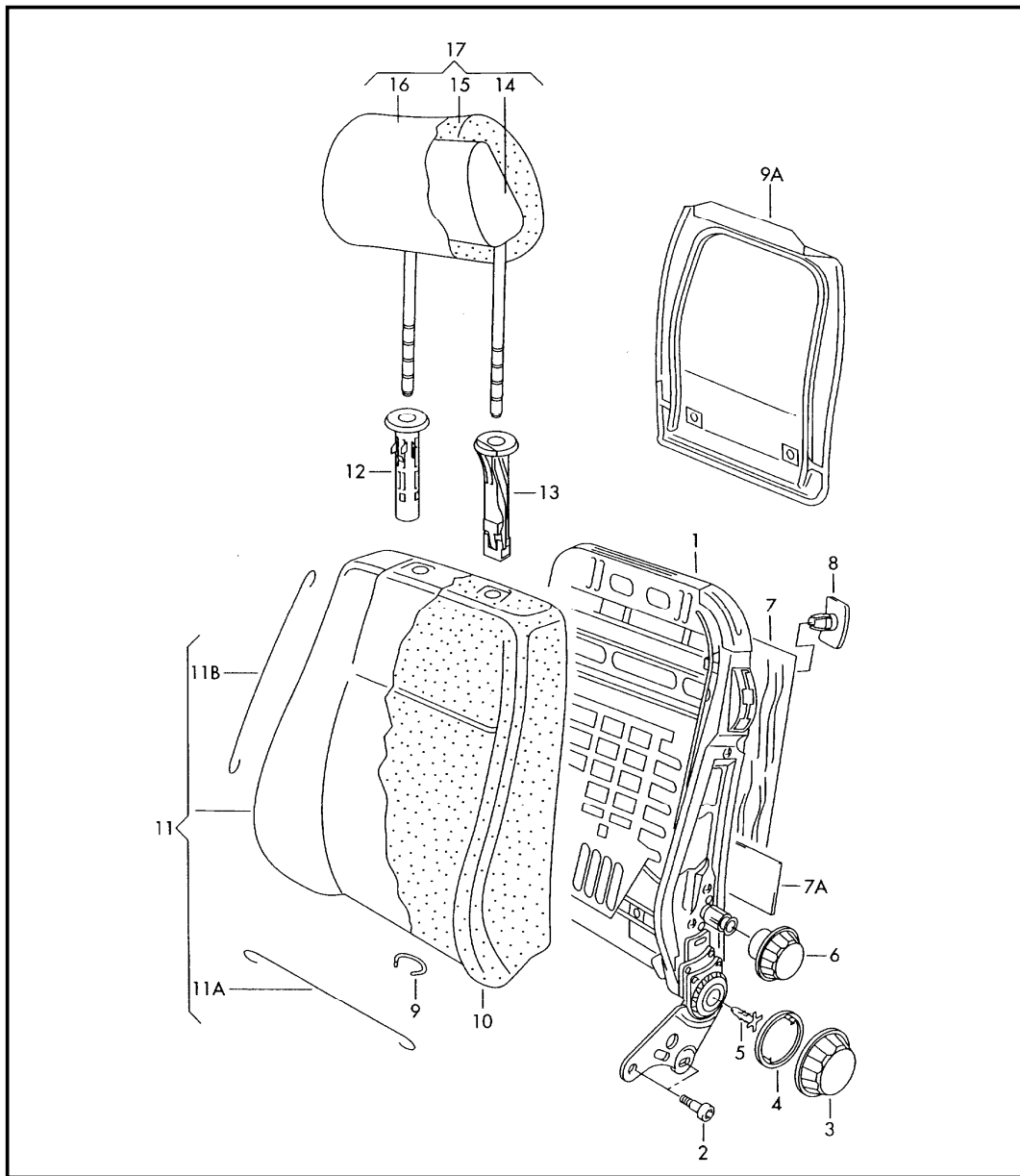
Model	Year	MG	SG	Illustration	Restrictions	UPD	22:11	11.12.2006		ETKA
PA	2005	8	81	881-05		597	USA			

Pos	Part Number	Name	Remarks	Qty	Model	Pos	Part Number	Name	Remarks	Qty	Model
	11/03-06/05U71	flannel grey	-BK, FH, GU, LP, MY, ND, RV, VP, XB				11/03-06/05U71	flannel grey	-BK, FH, GU, LP, MY, ND, RV, VP, XB		
	11/03-06/057G8	beige	-BL, GV, LT, MZ, QY, VU, XE			34	1J0 882 251	handle - seat height adjustm.	left	1	
	11/03-06/0571N	anthracite	-BH, BM, FA, GT, LM, MX, NC, QW, QV, RU, VN, VT, XA, 93, 95				11/03-06/057G8	beige	-BL, GV, LT, MZ, QY, VU, XE		
(30)	1J4 881 319 F	trim panel for seat frame for seat:	left inner right	1			11/03-06/0571N	anthracite	-BH, BM, FA, GT, LM, MX, NC, QW, QV, RU, VN, VT, XA, 93, 95		
	11/03-06/05U71	flannel grey	-BK, FH, GU, LP, MY, ND, RV, VP, XB				11/03-06/05U71	flannel grey	-BK, FH, GU, LP, MY, ND, RV, VP, XB		
	11/03-06/057G8	beige	-BL, GV, LT, MZ, QY, VU, XE			(34)	1J0 882 252	handle - seat height adjustm.	right	1	
	11/03-06/0571N	anthracite	-BH, BM, FA, GT, LM, MX, NC, QW, QV, RU, VN, VT, XA, 93, 95				11/03-06/0571N	anthracite	-BH, BM, FA, GT, LM, MX, NC, QW, QV, RU, VN, VT, XA, 93, 95		
(30)	1J4 881 320 F	trim panel for seat frame for seat:	right inner left	1			11/03-06/057G8	beige	-BL, GV, LT, MZ, QY, VU, XE		
	11/03-06/05U71	flannel grey	-BK, FH, GU, LP, MY, ND, RV, VP, XB				11/03-06/05U71	flannel grey	-BK, FH, GU, LP, MY, ND, RV, VP, XB		
	11/03-06/057G8	beige	-BL, GV, LT, MZ, QY, VU, XE			35	N 908 049 01	innensechsrund-linsenschraube	M5GFX12	4	
	11/03-06/0571N	anthracite	-BH, BM, FA, GT, LM, MX, NC, QW, QV, RU, VN, VT, XA, 93, 95			36	1J0 881 171 B	cap handle	left/right	2	
31	N 908 555 01	tapping screw	4, 2X11	2			11/03-06/05U71	flannel grey	-BK, FH, GU, LP, MY, ND, RV, VP, XB		
32	N 900 579 02	speed nut	B4, 2X12, 5X11, 5	2			11/03-06/057G8	beige	-BL, GV, LT, MZ, QY, VU, XE		
33	357 867 169	cap		2			11/03-06/0571N	anthracite	-BH, BM, FA, GT, LM, MX, NC, QW, QV, RU, VN, VT, XA, 93, 95		
	11/03-06/057G8	beige	-BL, GV, LT, MZ, QY, VU, XE			37	1J0 881 171 C	cap handle	left/right	2	
	11/03-06/0571N	anthracite	-BH, BM, FA, GT, LM, MX, NC, QW, QV, RU, VN, VT, XA, 93, 95				11/03-06/057G8	beige	-BL, GV, LT, MZ, QY, VU, XE		


Model	Year	MG	SG	Illustration	Restrictions	UPD	22:11	11.12.2006		ETKA
PA	2005	8	81	881-05		597	USA			

Pos	Part Number	Name	Remarks	Qty	Model	Pos	Part Number	Name	Remarks	Qty	Model
	11/03-06/0571N	anthracite	-BH, EM, FA, GT, LM, MX, NC, QW, QW, RU, VN, VT, XA, 93, 95				11/03-05/04LGM	flannel grey	-LP		
	11/03-06/05U71	flannel grey	-BK, FH, GU, LP, MY, ND, RV, VP, XB			(50)	3B0 881 405 EA	seat cover (leather/leathe- rette) with heater element		2	PR-N0X
(40)	3B0 881 375 R	padding for seat		2	PR-Q2J+N0C, N0X, N5N		05/04-06/05RSE	anthracite	-LM		
41	N 901 626 06	upholstery wire	2,8X368	X			05/04-06/05RSF	beige	-LT		
42	4A0 881 449 A	clamp		X			05/04-06/05LGM	flannel grey	-LP		
43	N 015 261 1	clamp	20X1,8	X							
44	171 881 449 A	clip		X							
	11/03-06/0501C	satin black									
45	6X0 881 195	buffer		2							
46	N 012 232 3	spring washer	B12X24X1,2	2							
47	N 906 990 01	fitted bolt, self-locking	M8X24,5	2							
		seat covers F 3B-4-160 000>>*	front								
50	3B0 881 405 EB	seat cover (leatherette) with heater element		2	PR-N0C						
	11/03-06/05SEM	anthracite	-BH								
	11/03-06/05SEN	flannel grey	-BK								
	11/03-06/05SEP	beige	-BL								
(50)	3B0 881 405 DS	seat cover (cloth) with heater element		2	PR-N5N						
	11/03-06/05RKA	anthracite	-GT								
	11/03-06/05RKB	flannel grey	-GU								
	11/03-06/05RRV	beige	-GV								
(50)	3B0 881 405 EA	seat cover (leather/leathe- rette) with heater element		2	PR-N0X						
		also use:	3B0 963 556 B	2							
	11/03-05/04RSE	anthracite	-LM								
	11/03-05/04RSF	beige	-LT								


Model	Year	MG	SG	Illustration	Restrictions	UPD	22:11	11.12.2006		ETKA
PA	2005	8	81	881-50		597	USA			




Pos	Part Number	Name	Remarks	Qty	Model
		backrest F >> 3B-4-160 000*	front		
1	1J4 881 045 HH	frame - backrest with lumbar support to fit use workshop material	left	1	PR-3L1,3L2,3L3
(1)	1J4 881 045 HK	frame - backrest with lumbar support for vehicles with electric memory seat and backrest adjustment to fit use workshop material	left	1	PR-3L4,3L5,3L6
(1)	1J4 881 046 HH	frame - backrest with lumbar support to fit use workshop material	right	1	PR-3L1,3L2,3L3
(1)	1J4 881 046 HK	frame - backrest with lumbar support for vehicles with electric memory seat and backrest adjustment to fit use workshop material	right	1	PR-3L4,3L5,3L6
-	1J0 881 705 N	wire mat	left a. right	2	PR-7P0
-	1J0 881 705 Q	lumbar support	left	1	PR-7P4,7P5
-	1J0 881 706 K	lumbar support	right	1	PR-7P4,7P5
-	1J0 898 943	repair kit for wire mat		2	PR-7P0
-	1J0 898 943 A	repair kit for lumbar support		2	PR-7P4,7P5
2	N 908 959 01	fitted bolt, self-locking	M8X24,5	2	
3	1J0 881 671 F	rotary knob		2	
	05/02-05/02B41	satin black	-BJ, FP, GA, JJ, JL, NG, RW, TW, VA, XR, YY, ZA, ZR, 53		
	05/02-05/02U71	flannel grey	-FQ, GB, JC, RN, TX, VB, ZH, NJ		
	05/02-05/0289H	sunshine beige	-GC, JD, TY, VD, XS, YT, ZJ, ZS, 54		
(3)	1J0 881 671 H	rotary knob		2	

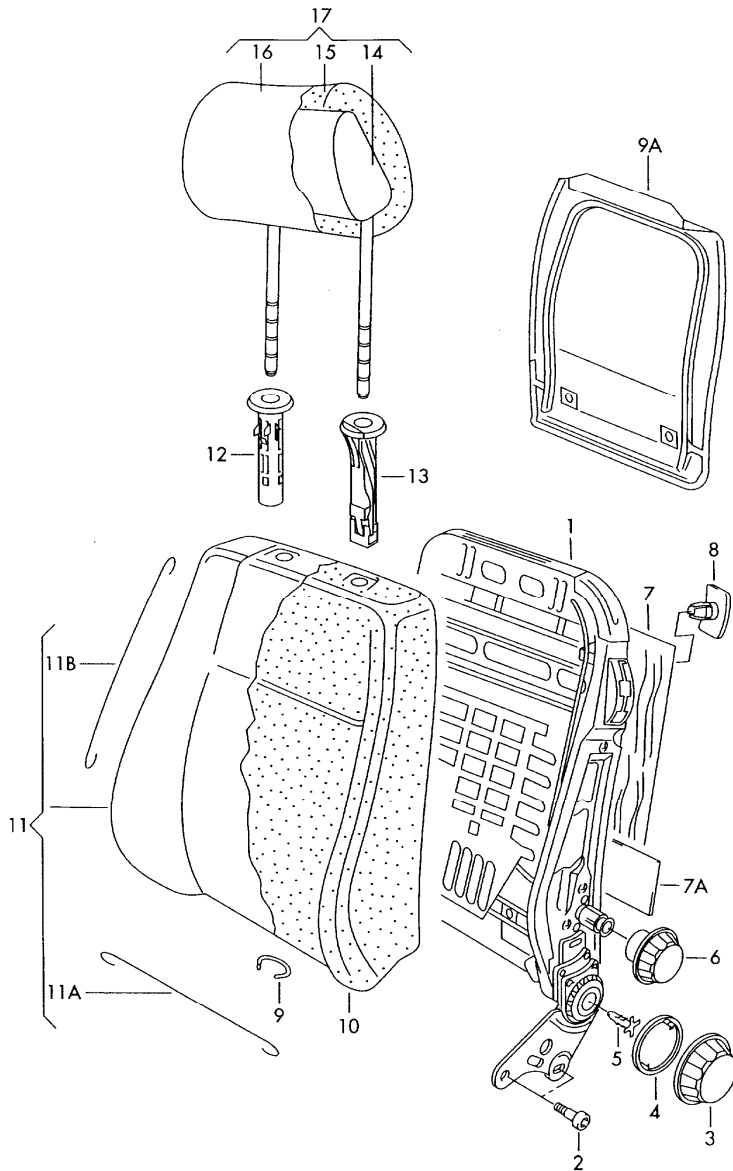
Model	Year	MG	SG	Illustration	Restrictions	UPD	22:11	11.12.2006		ETKA
PA	2005	8	81	881-50		597	USA			

Pos	Part Number	Name	Remarks	Qty	Model	Pos	Part Number	Name	Remarks	Qty	Model
	05/02-10/03B41	satin black	-BJ, FP, GA, JJ, JL, NG, RW, TW, VA, XR, YY, ZA, ZR, 53			9	N 015 261 1	clamp	20X1,8	X	
	05/02-10/03U71	flannel grey	-FQ, GB, JC, RN, TX, VB, ZH, NJ					padding for backrest F >> 3B-4-160 000*	front		
	05/02-10/0389H	sunshine beige	-GC, JD, TY, VD, XS, YT, ZJ, ZS, 54			10	3B0 881 775 DR	padding for backrest for vehicles with side airbag	left	1	PR-Q1A+4X1, 4X3
4	1J0 881 493	spacer ring rotary knob		2		(10)	3B0 881 775 DS	padding for backrest for vehicles with side airbag	left	1	PR-Q2J+N0U, NOX,N7W+4X1, 4X3,4X8
5	1J0 881 667	sleeve		X		(10)	3B0 881 775 DT	padding for backrest for vehicles with side airbag	left	1	PR-Q4H+4X1, 4X3
6	1J0 881 671 G	rotary knob for vehicle with adjustable lumbar support		2		(10)	3B7 881 775	padding for backrest for vehicles with side airbag	left	1	PR-Q2J+N5E+ 4X1,4X3
	05/02-05/02B41	satin black	-BJ, FP, GA, JJ, JL, NG, RW, TW, VA, XR, YY, ZA, ZR, 53			(10)	3B0 881 776 BJ	padding for backrest for vehicles with side airbag	right	1	PR-Q1A+4X1, 4X3
	05/02-05/02U71	flannel grey	-FQ, GB, JC, RN, TX, VB, ZH			(10)	3B0 881 776 BL	padding for backrest for vehicles with side airbag	right	1	PR-Q2J+N0U, NOX,N7W+4X1, 4X3,4X4,4X8
	05/02-05/0289H	sunshine beige	-GC, JD, TY, VD, XS, YT, ZJ, ZS, 54			(10)	3B0 881 776 BK	padding for backrest for vehicles with side airbag	right	1	PR-Q4H+4X1, 4X3
(6)	1J0 881 671 J	rotary knob for vehicle with adjustable lumbar support		2		(10)	3B7 881 776	padding for backrest for vehicles with side airbag	right	1	PR-Q2J+N5E+ 4X1,4X3
	05/02-10/03B41	satin black	-BJ, FP, GA, JJ, JL, NG, RW, TW, VA, XR, YY, ZA, ZR, 53					backrest covers for vehicles with side airbag			
	05/02-10/03U71	flannel grey	-FQ, GB, JC, RN, TX, VB, ZH					also use: also use: F >> 3B-4-160 000*	000 010 227 C POS. 11A,11B		
	05/02-10/0389H	sunshine beige	-GC, JD, TY, VD, XS, YT, ZJ, ZS, 54			(11)	3B0 881 805 LE	backrest cover (cloth) with heater elem.and backrest pock. for vehicle with adjustable lumbar support		2	PR-N0U
7	1J0 881 745 C	protection plate for vehicle with adjustable lumbar support		2							
7A	1J0 881 871 F	clamping strip with protector		2			05/02-10/03PDX	black	-GA		
8	N 907 679 01	rivet	D7X12,5	X			05/02-10/03PDY	flannel grey	-GB		


Model	Year	MG	SG	Illustration	Restrictions	UPD	22:11	11.12.2006		ETKA
PA	2005	8	81	881-50		597	USA			

Pos	Part Number	Name	Remarks	Qty	Model	Pos	Part Number	Name	Remarks	Qty	Model
(11)	05/02-10/03PDZ	sunshine beige	-GC				05/02-10/039K7	sunshine beige	-GC		
	3B0 881 805 PH	backrest cover(leather/leatherette) with heater element and backrest pocket		2	PR-N0X	(17)	1J0 881 901 BA	headrest with cover, detachable (leather)	left	1	PR-N0X+5ZH
	05/02-10/03LGL	black	-VA				05/02-10/03LGL	black	-VA		
	05/02-10/03LGM	flannel grey	-VB				05/02-10/03LGM	flannel grey	-VB		
	05/02-10/03LGN	sunshine beige	-VD				05/02-10/03LGN	sunshine beige	-VD		
		headrest, ajustable F >> 3B-4-160 000*				(17)	1J0 881 902 A	headrest with cover, ajustable (cloth)	right	1	PR-N0U+5ZH
(12)	3B0 881 920	guide for headrest, detachable		2	PR-5ZH		05/02-10/038N4	black	-GA		
	05/02-10/03B41	satin black	-BJ, FP, GA, JJ, JL, NG, RW, TW, VA, XR, YY, ZA, ZR				05/02-10/038P5	flannel grey	-GB		
	05/02-10/03U71	flannel grey	-FQ, GB, JC, RN, TX, VB, ZH			(17)	1J0 881 902 L	headrest with cover, detachable (leather)	right	1	PR-N0X+5ZH
	05/02-07/0289H	sunshine beige	-GC, JD, TY, VD, XS, YT, ZJ, ZS				05/02-10/039K7	sunshine beige	-GC		
	05/02-10/037H7	sunshine beige	-GC, JD, TY, VD, XS, YT, ZJ, ZS				05/02-10/03LGL	black	-VA		
(13)	3B0 881 920 A	guide for headrest, detachable		2	PR-5ZH		05/02-10/03LGM	flannel grey	-VB		
	05/02-10/03B41	satin black	-BJ, FP, GA, JJ, JL, NG, RW, TW, VA, XR, YY, ZA, ZR				05/02-10/03LGN	sunshine beige	-VD		
	05/02-10/03U71	flannel grey	-FQ, GB, JC, RN, TX, VB, ZH								
	05/02-07/0289H	sunshine beige	-GC, JD, TY, VD, XS, YT, ZJ, ZS								
	05/02-10/037H7	sunshine beige	-GC, JD, TY, VD, XS, YT, ZJ, ZS								
(17)	1J0 881 901 K	headrest with cover, ajustable (cloth)	left	1	PR-N0U+5ZH						
	05/02-10/038N4	black	-GA								
	05/02-10/038P5	flannel grey	-GB								


Model	Year	MG	SG	Illustration	Restrictions	UPD	22:11	11.12.2006		ETKA
PA	2005	8	81	881-55		597	USA			




Pos	Part Number	Name	Remarks	Qty	Model
		backrest F 3B-4-160 001>>*	front		
(1)	1J4 881 045 HH	frame - backrest with lumbar support to fit use workshop material	left	1	PR-3L1,3L2,3L3
(1)	1J4 881 045 HK	frame - backrest with lumbar support for vehicles with electric memory seat and backrest adjustment to fit use workshop material	left	1	PR-3L4,3L5,3L6
(1)	1J4 881 046 HH	frame - backrest with lumbar support to fit use workshop material	right	1	PR-3L1,3L2,3L3
(1)	1J4 881 046 HK	frame - backrest with lumbar support for vehicles with electric memory seat and backrest adjustment to fit use workshop material	right	1	PR-3L4,3L5,3L6
-	1J0 881 705 N	wire mat	left a. right	2	PR-7P0
-	1J0 881 705 Q	lumbar support	left	1	PR-7P4,7P5
-	1J0 881 706 K	lumbar support	right	1	PR-7P5,7P5
-	1J0 898 943	repair kit for wire mat		2	PR-7P0
-	1J0 898 943 A	repair kit for lumbar support		2	PR-7P4,7P5
2	N 908 959 01	fitted bolt, self-locking	M8X24,5	2	
3	1J0 881 671 H	rotary knob		2	
	11/03-06/0571N	anthracite	-BH, BM, FA, GT, LM, MX, NC, QW, QW, RU, VN, VT, XA, 93, 95		
	11/03-06/057G8	beige	-BL, GV, LT, MZ, QY, VU, XE		
	11/03-06/05U71	flannel grey	-BK, FH, GU, LP, MY, ND, RV, VP, XB		
4	1J0 881 493	spacer ring rotary knob		2	
5	1J0 881 667	sleeve		X	

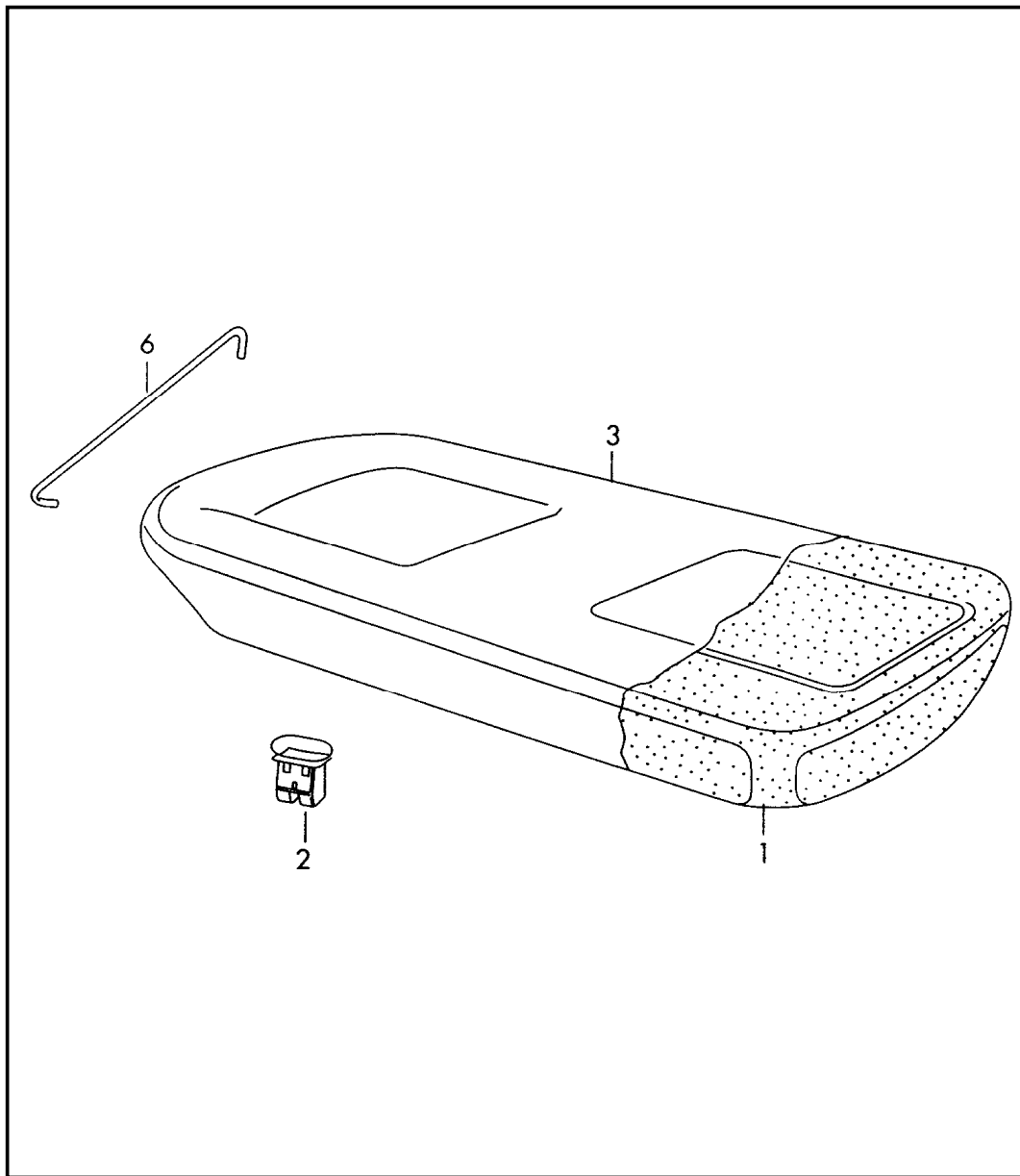
Model	Year	MG	SG	Illustration	Restrictions	UPD	22:11	11.12.2006		ETKA
PA	2005	8	81	881-55		597	USA			

Pos	Part Number	Name	Remarks	Qty	Model	Pos	Part Number	Name	Remarks	Qty	Model
6	1J0 881 671 J	rotary knob for vehicle with adjustable lumbar support		2			11/03-06/05RRV	beige	-GV		
	11/03-06/057G8	beige	-BL, GV, LT, MZ, QY, VU, XE			(11)	3B0 881 805 PH	backrest cover (leather/leatherette) with heater element and backrest pocket		2	PR-N0X
	11/03-06/0571N	anthracite	-BH, BM, FA, GT, LM, MX, NC, QW, QV, RU, VN, VT, XA, 93, 95				11/03-06/05RSE	anthracite	-LM		
	11/03-06/05U71	flannel grey	-BK, FH, GU, LP, MY, ND, RV, VP, XB				11/03-06/05RSF	beige	-LT		
						(11)	11/03-06/05LGM	flannel grey	-LP		
						(11)	3B0 881 805 QP	backrest cover (leatherette) with heater element and backrest pocket for vehicle with adjustable lumbar support		2	PR-N0C+Q2J
7	1J0 881 745 C	protection plate for vehicle with adjustable lumbar support		2			11/03-06/05SEM	anthracite	-BH		
7A	1J0 881 871 F	clamping strip with protector		2			11/03-06/05SEN	flannel grey	-BK		
8	N 907 679 01	rivet	D7X12,5	X			11/03-06/05SEP	beige	-BL		
9	N 015 261 1	clamp	20X1,8	X				headrest, ajustable F 3B-4-160 001>>*			
(10)	3B0 881 775 DS	padding for backrest for vehicles with side airbag	front	1	PR-Q2J+N0C, N0X, N5N+4X1, 4X8	(12)	3B0 881 920	guide for headrest, detachable		2	PR-5ZH
(10)	3B0 881 776 BL	padding for backrest for vehicles with side airbag	right	1	PR-Q2J+N0C, N0X, N5N+4X1, 4X8		11/03-06/057G8	beige	-BL, GV, LT, MZ, QY, VU, XE		
		backrest covers for vehicles with side airbag					11/03-06/0571N	anthracite	-BH, BM, FA, GT, LM, MX, NC, QW, QV, RU, VN, VT, XA, 93, 95		
		also use: F 3B-4-160 001>>*	000 010 227 C POS. 11A,11B				11/03-06/05U71	flannel grey	-BK, FH, GU, LP, MY, ND, RV, VP, XB		
(11)	3B0 881 805 QM	backrest cover (cloth) with heater elem.and backrest pock. for vehicle with adjustable lumbar support		2	PR-N5N	(13)	11/03-06/0592F	petrol (green)	-QZ, 94		
	11/03-06/05RKA	anthracite	-GT				3B0 881 920 A	guide for headrest, detachable		2	PR-5ZH
	11/03-06/05RKB	flannel grey	-GU				11/03-06/05U71	flannel grey	-BK, FH, GU, LP, MY, ND, RV, VP, XB		
							11/03-06/0571N	anthracite	-BH, BM, FA, GT, LM, MX, NC, QW, QV, RU, VN, VT, XA, 93, 95		


Model	Year	MG	SG	Illustration	Restrictions	UPD	22:11	11.12.2006		ETKA
PA	2005	8	81	881-55		597	USA			

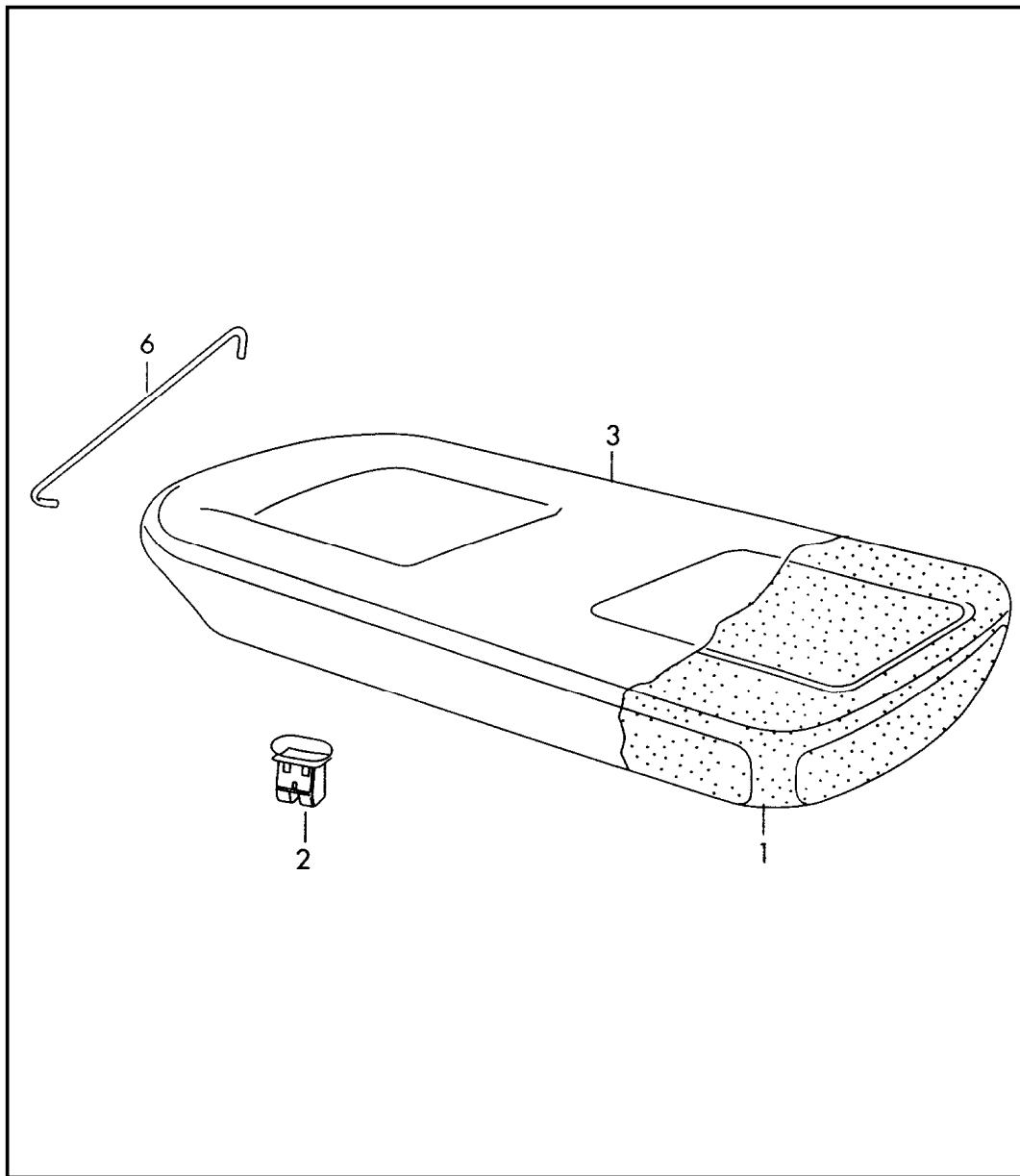
Pos	Part Number	Name	Remarks	Qty	Model	Pos	Part Number	Name	Remarks	Qty	Model
	11/03-06/057G8	beige	-BL, GV, LT, MZ, QY, VU, XE				11/03-06/051TR	beige	-BL		
	11/03-06/0592F	petrol (green)	-QZ, 94								
(17)	1J0 881 901 BA	headrest with cover, detachable (leather)	left	1	PR-N0X+5ZH						
	11/03-06/05LGM	flannel grey	-LP								
	11/03-06/05RSE	anthracite	-LM								
	11/03-06/05RSF	beige	-LT								
(17)	3B0 881 901 AC	headrest with cover, ajustable (cloth)	left	1	PR-N5N+5ZH						
	11/03-06/057AA	anthracite	-GT								
	11/03-06/058AM	flannel grey	-GU								
	11/03-06/059AC	beige	-GV								
(17)	3B0 881 901 AD	headrest with cover, detachable (leatherette)	left	1	PR-N0C+5ZH						
	11/03-06/051NV	anthracite	-BH								
	11/03-06/051RN	flannel grey	-BK								
	11/03-06/051TR	beige	-BL								
(17)	1J0 881 902 L	headrest with cover, detachable (leather)	right	1	PR-N0X+5ZH						
	11/03-06/05RSE	anthracite	-LM								
	11/03-06/05RSF	beige	-LT								
	11/03-06/05LGM	flannel grey	-LP								
(17)	3B0 881 902 H	headrest with cover, ajustable (cloth)	right	1	PR-N5N+5ZH						
	11/03-06/057AA	anthracite	-GT								
	11/03-06/059AC	beige	-GV								
	11/03-06/058AM	flannel grey	-GU								
(17)	3B0 881 902 J	headrest with cover, detachable (leatherette)	right	1	PR-N0C+5ZH						
	11/03-06/051NV	anthracite	-BH								
	11/03-06/051RN	flannel grey	-BK								

Model	Year	MG	SG	Illustration	Restrictions	UPD	22:11	11.12.2006		ETKA
PA	2005	8	85	885-20		597	USA			




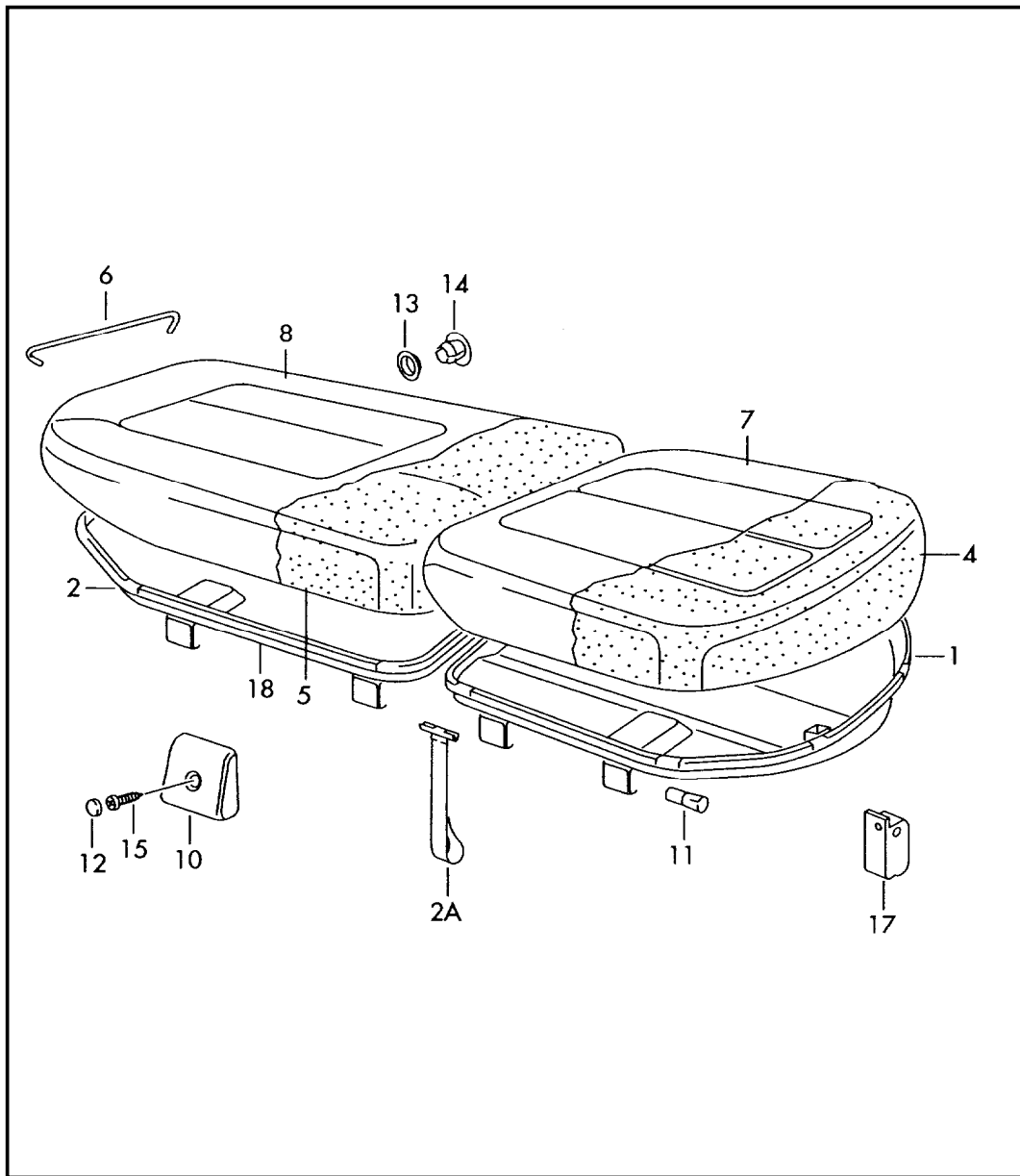
Pos	Part Number	Name	Remarks	Qty	Model
		seat F >> 3B-4-160 000*	rear		sedan
(1)	3B5 885 319 S	padding for seat		1	PR-N0U/N0X
2	3B5 886 373	grommet		2	
(3)	3B0 885 405 CS	seat cover (cloth) with heater element		1	PR-N0U, 4A0/4A3/4A4
	05/02-10/03PDX	black	-GA		
	05/02-10/03PDY	flannel grey	-GB		
	05/02-10/03PDZ	sunshine beige	-GC		
(3)	3B0 885 405 CT	seat cover (leather/leatherette) with heater element		1	PR-N0X, 4A0/4A3/4A4
	05/02-10/03LGL	black	-VA		
	05/02-10/03LGM	flannel grey	-VB		
	05/02-10/03LGN	sunshine beige	-VD		
6	535 885 483 B	upholstery wire	2,8X520	X	
(6)	1J0 881 883 E	upholstery wire for longitudinal seam	2X520	X	
(6)	N 901 626 06	upholstery wire	2,8X368	X	

Model	Year	MG	SG	Illustration	Restrictions	UPD	22:13	11.12.2006		ETKA
PA	2005	8	85	885-25		597	USA			




Pos	Part Number	Name	Remarks	Qty	Model
		seat F 3B-4-160 001>>*	rear		sedan
(1)	3B5 885 319 S	padding for seat		1	PR-N0C/NOX N5N
2	3B5 886 373	grommet		2	
(3)	3B0 885 405 CT	seat cover (leather/leathe- rette) with heater element		1	PR-N0X
	11/03-06/05LGM	flannel grey	-LP		
	11/03-06/05RSE	anthracite	-LM		
	11/03-06/05RSF	beige	-LT		
(3)	3B0 885 405 HP	seat cover (cloth) with heater element		1	PR-N5N
	11/03-06/05RKA	anthracite	-GT		
	11/03-06/05RKB	flannel grey	-GU		
	11/03-06/05RRV	beige	-GV		
(3)	3B0 885 405 HS	seat cover (leatherette)		1	PR-N0C
	11/03-06/05SEM	anthracite	-BH		
	11/03-06/05SEN	flannel grey	-BK		
	11/03-06/05SEP	beige	-BL		


Model	Year	MG	SG	Illustration	Restrictions	UPD	22:13	11.12.2006		ETKA
PA	2005	8	85	885-40		597	USA			

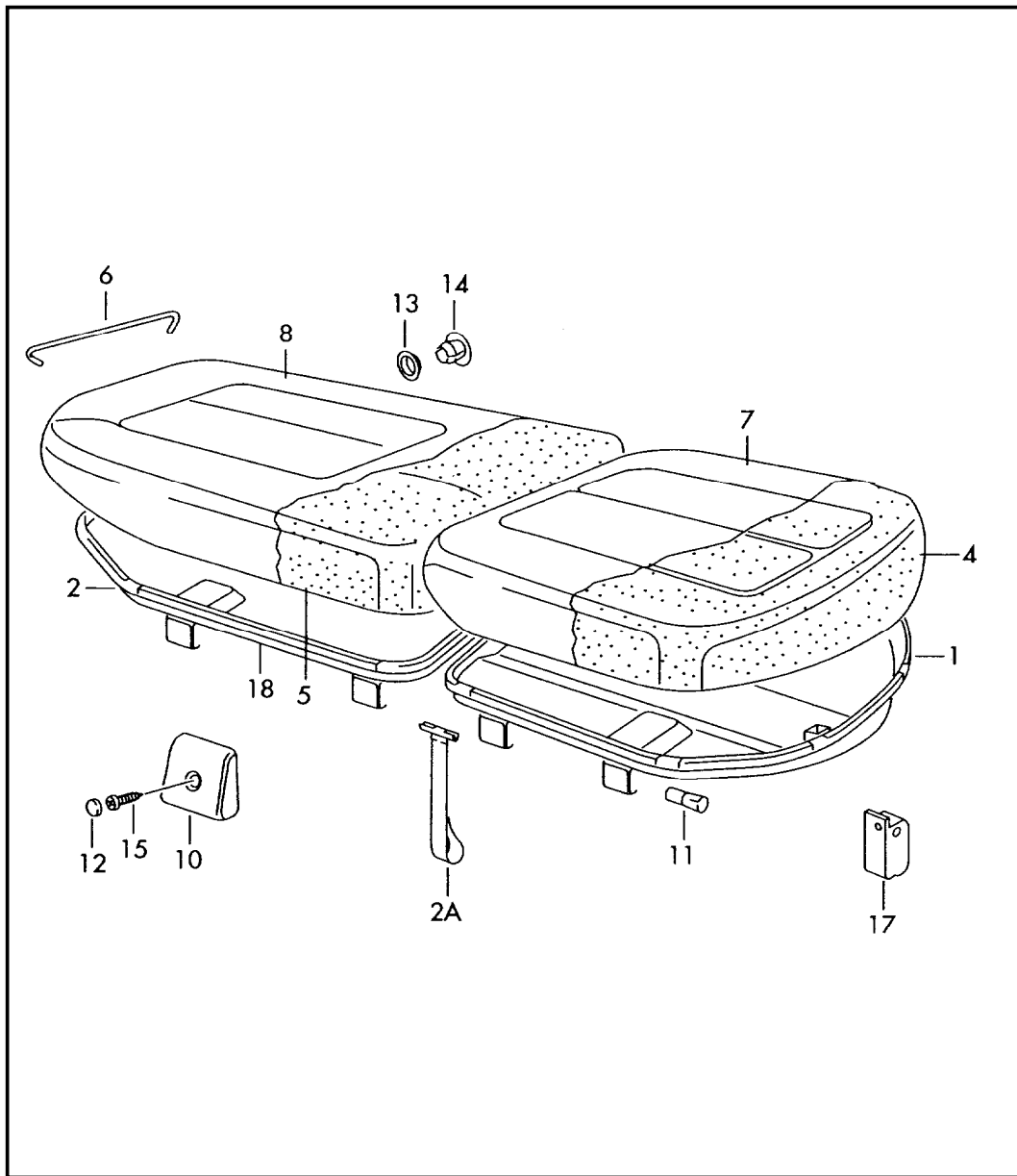


Pos	Part Number	Name	Remarks	Qty	Model
		seat, divided F >> 3B-4-160 000*	rear		wagon
1	3B9 885 321 K	seat well F >> 3B-3-250 000*	left	1	
(1)	3B9 885 321 P	seat well F 3B-3-250 001>>*	left	1	
2	3B9 885 322 P	seat well	right		
2A	3B9 885 093 B	loop		1	
	05/02-10/0371N	anthracite			
(4)	3B9 885 375 R	padding for seat	left	1	PR-NOU/NOX
(5)	3B9 885 376 R	padding for seat	right	1	PR-NOU/NOX
(7)	3B0 885 405 BN	seat cover (cloth) with heater element	left	1	PR-NOU
	05/02-10/03PDX	black	-GA		
	05/02-10/03PDY	flannel grey	-GB		
	05/02-10/03PDZ	sunshine beige	-GC		
(7)	3B0 885 405 BE	seat cover (leather/leathe- rette) with heater element	left	1	PR-NOX
	05/02-10/03LGL	black	-VA		
	05/02-10/03LGM	flannel grey	-VB		
	05/02-10/03LGN	sunshine beige	-VD		
(8)	3B0 885 406 AF	seat cover (cloth) with heater element	right	1	PR-NOU
	05/02-10/03PDX	black	-GA		
	05/02-10/03PDY	flannel grey	-GB		
	05/02-10/03PDZ	sunshine beige	-GC		
(8)	3B0 885 406 AD	seat cover (leather/leathe- rette) with heater element	right	1	PR-NOX
	05/02-10/03LGL	black	-VA		
	05/02-10/03LGM	flannel grey	-VB		
	05/02-10/03LGN	sunshine beige	-VD		
(10)	3B9 885 749 D	hinge cover		4	


Model	Year	MG	SG	Illustration	Restrictions	UPD	22:13	11.12.2006		ETKA
PA	2005	8	85	885-40		597	USA			

Pos	Part Number	Name	Remarks	Qty	Model	Pos	Part Number	Name	Remarks	Qty	Model
	05/02-10/03B41	satin black	-BJ, FP, GA, JJ, VA, XR, YY, ZA,								
	05/02-10/03U71	flannel grey	-FQ, GB, JC, RN, TX, VB, ZH								
	05/02-07/0289H	sunshine beige	-GC, JD, NH, TY, VD, XS, YT, ZJ,								
	08/02-10/037H7	sunshine beige	-GC, JD, NH, TY, VD, XS, YT, ZJ,								
(11)	3B9 885 539	pin	49X6	4							
12	357 867 169	cap		4							
	05/02-10/03B41	satin black	-BJ, FP, GA, JJ, VA, XR, YY, ZA,								
	05/02-10/03U71	flannel grey	-FQ, GB, JC, RN, TX, VB, ZH								
	08/02-10/037H7	sunshine beige	-GC, JD, NH, TY, VD, XS, YT, ZJ,								
13	1J0 886 935	lock ring		6							
14	1J0 886 933	sleeve		6							
	05/02-10/03B41	satin black	-BJ, FP, GA, JJ, VA, XR, YY, ZA,								
	05/02-10/03U71	flannel grey	-FQ, GB, JC, RN,								
	05/02-07/0289H	sunshine beige	-GC, JD, NH, TY, VD, XS, YT, ZJ,								
	08/02-10/037H7	sunshine beige	-GC, JD, NH, TY, VD, XS, YT, ZJ,								
15	N 901 458 01	tapping screw, fill. hd.	4,2X13	4							


Model	Year	MG	SG	Illustration	Restrictions	UPD	22:13	11.12.2006		ETKA
PA	2005	8	85	885-45		597	USA			

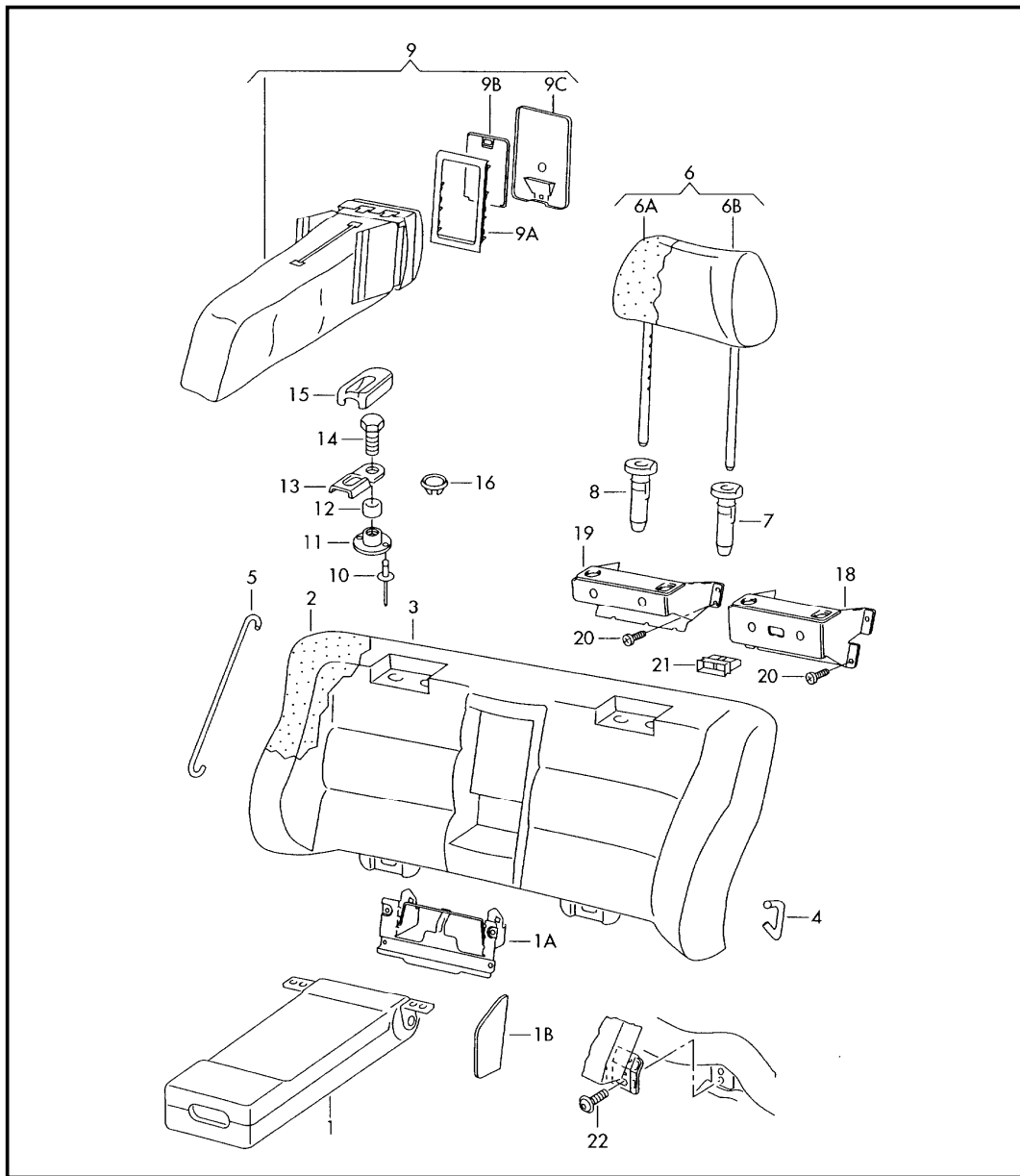


Pos	Part Number	Name	Remarks	Qty	Model
		seat, divided F 3B-4-160 001>>*	rear		wagon
(1)	3B9 885 321 P	seat well	left	1	
(2)	3B9 885 322 P	seat well	right	1	
2A	3B9 885 093 B	loop		1	
	11/03-06/0571N	anthracite			
(4)	3B9 885 375 R	padding for seat	left	1	PR-N0C/NOX/ N5N
(5)	3B9 885 376 R	padding for seat	right	1	PR-N5N/NOX/ NOC
(7)	3B0 885 405 BE	seat cover (leather/leathe- rette) with heater element	left	1	PR-N0X
	11/03-06/05LGM	flannel grey	-LP		
	11/03-06/05RSE	anthracite	-LM		
	11/03-06/05RSF	beige	-LT		
(7)	3B0 885 405 HR	seat cover (cloth) with heater element	left	1	PR-N5N
	11/03-06/05RKA	anthracite	-GT		
	11/03-06/05RKB	flannel grey	-GU		
	11/03-06/05RRV	beige	-GV		
(7)	3B0 885 405 HT	seat cover (leatherette)	left	1	PR-N0C
	11/03-06/05SEM	anthracite	-BH		
	11/03-06/05SEN	flannel grey	-BK		
	11/03-06/05SEP	beige	-BL		
(8)	3B0 885 406 AD	seat cover (leather/leathe- rette) with heater element	right	1	PR-N0X
	11/03-06/05LGM	flannel grey	-LP		
	11/03-06/05RSF	beige	-LT		
	11/03-06/05RSE	anthracite	-LM		
(8)	3B0 885 406 DD	seat cover (cloth) with heater element	right	1	PR-N5N
	11/03-06/05RKA	anthracite	-GT		


Model	Year	MG	SG	Illustration	Restrictions	UPD	22:13	11.12.2006		ETKA
PA	2005	8	85	885-45		597	USA			

Pos	Part Number	Name	Remarks	Qty	Model	Pos	Part Number	Name	Remarks	Qty	Model
	11/03-06/05RKB	flannel grey	-GU								
	11/03-06/05RRV	beige	-GV								
(8)	3B0 885 406 DE	seat cover (leatherette)	right	1	PR-NOC						
	11/03-06/05SEM	anthracite	-BH								
	11/03-06/05SEN	flannel grey	-BK								
	11/03-06/05SEP	beige	-BL								


Model	Year	MG	SG	Illustration	Restrictions	UPD	22:13	11.12.2006		ETKA
PA	2005	8	85	885-60		597	USA			

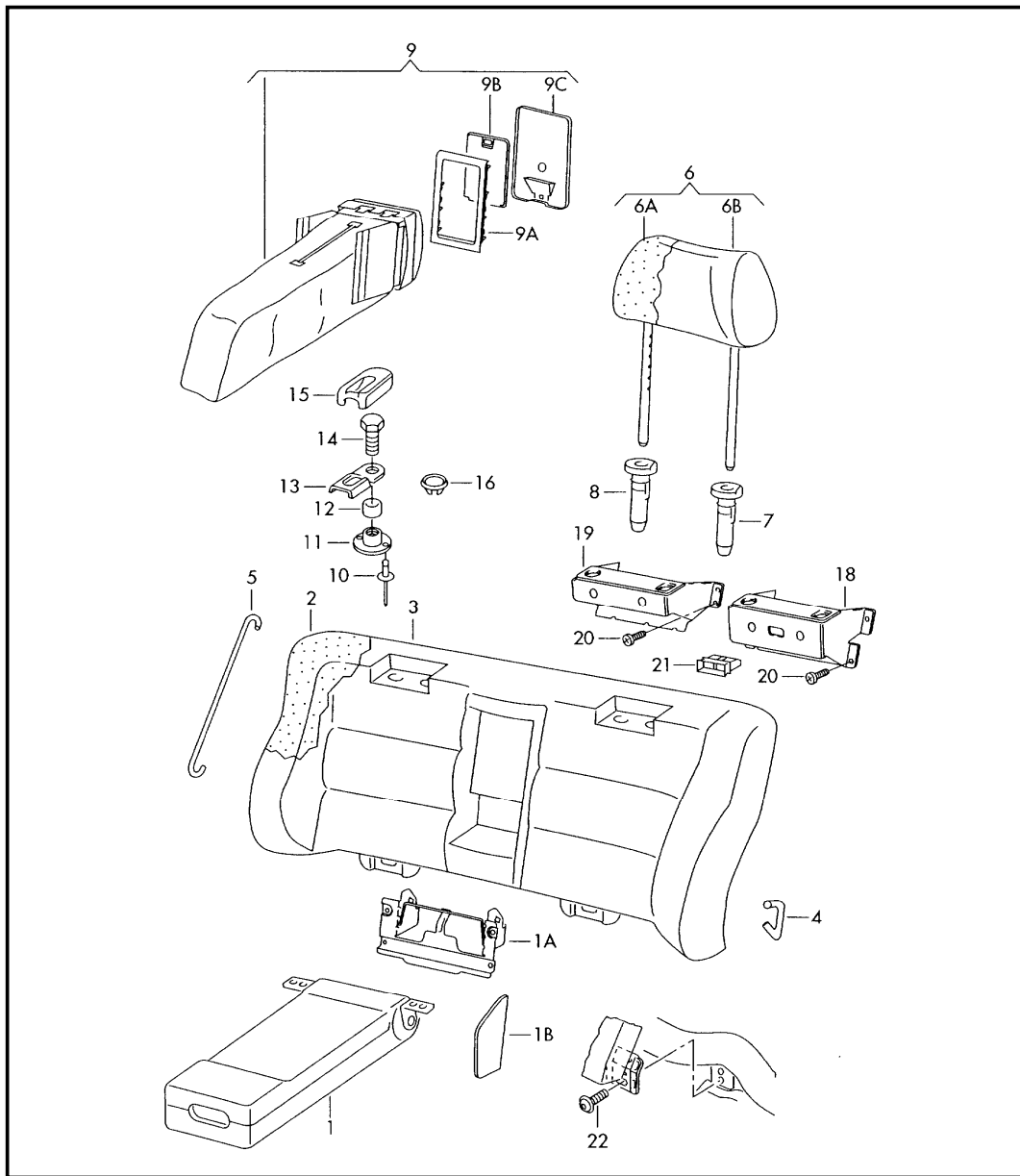


Pos	Part Number	Name	Remarks	Qty	Model
1		backrest F see illustration:	rear >> 3B-4-160 000* 885-90		sedan
1A	3B0 885 585 B	mounting for armrest	center	1	
- +	N 904 786 01	pop-rivet	A4, 8X11X9,5	X	
-	3B0 885 663	cap		1	
(2)	3B5 885 775 C	padding for backrest		1	PR-3C7
(3)	3B0 885 805 ES	backrest cover (cloth) with heater element		1	PR-N0U, 3B3
	05/02-10/03PDX	black	-GA		
	05/02-10/03PDY	flannel grey	-GB		
	05/02-10/03PDZ	sunshine beige	-GC		
(3)	3B0 885 805 FC	backrest cover (leather/leathe- rette) with heater element		1	PR-N0X
	05/02-10/03LGL	black	-VA		
	05/02-10/03LGM	flannel grey	-VB		
	05/02-10/03LGN	sunshine beige	-VD		
-	1JM 898 761	repair kit	-latch-	1	
	05/02-06/023PT	cream beige			
	05/02-06/0295R	anthracite			
4	N 015 261 1	clamp	20X1,8	X	
5	535 885 483 B	upholstery wire	2,8X520	X	
(5)	1J0 881 883 E	upholstery wire for longitudial seam	2X520	X	
(5)	N 901 626 06	upholstery wire	2,8X368	X	
6-9		see illustration:	885-90		
10	+ N 905 763 01	pop-rivet	A4X9X8X1,2	X	"AUS"
11	N 989 514 01	speed nut	A5/16-18UNC	X	"AUS"
12	1H5 858 846 A	spacer bushing		X	"AUS"
13	1J0 858 849	retainer		X	"AUS"
14	N 989 108 01	screw, hex. hd.	5/16"-18UNFX28	X	"AUS"


Model	Year	MG	SG	Illustration	Restrictions	UPD	22:13	11.12.2006		ETKA
PA	2005	8	85	885-60		597	USA			

Pos	Part Number	Name	Remarks	Qty	Model	Pos	Part Number	Name	Remarks	Qty	Model
15	1H0 887 301	cap		1	"AUS"						
	05/02-10/0301C	satin black	-BJ, FP, GA, JJ, VA, XR, YY, ZA,								
	05/02-10/03U71	flannel grey	-FQ, GB, JC, RN, TX, VB, ZH								
	05/02-07/0289H	sunshine beige	-GC, JD, NH, VD,								
	05/02-10/037H7	sunshine beige	-GC, JD, NH, VD,								
16	321 867 164	plug		1	"AUS"						
	05/02-10/0301C	satin black	20MM								
18	3B0 885 963 A	bracket for headrest	left/right	2							
19	3B0 886 261 A	bracket for headrest	center	1							
20	N 013 980 2	tapping screw, fill. hd.	ST4, 8X6, 5-F	X							
21	8D0 886 373	grommet		2							


Model	Year	MG	SG	Illustration	Restrictions	UPD	22:13	11.12.2006		ETKA
PA	2005	8	85	885-65		597	USA			

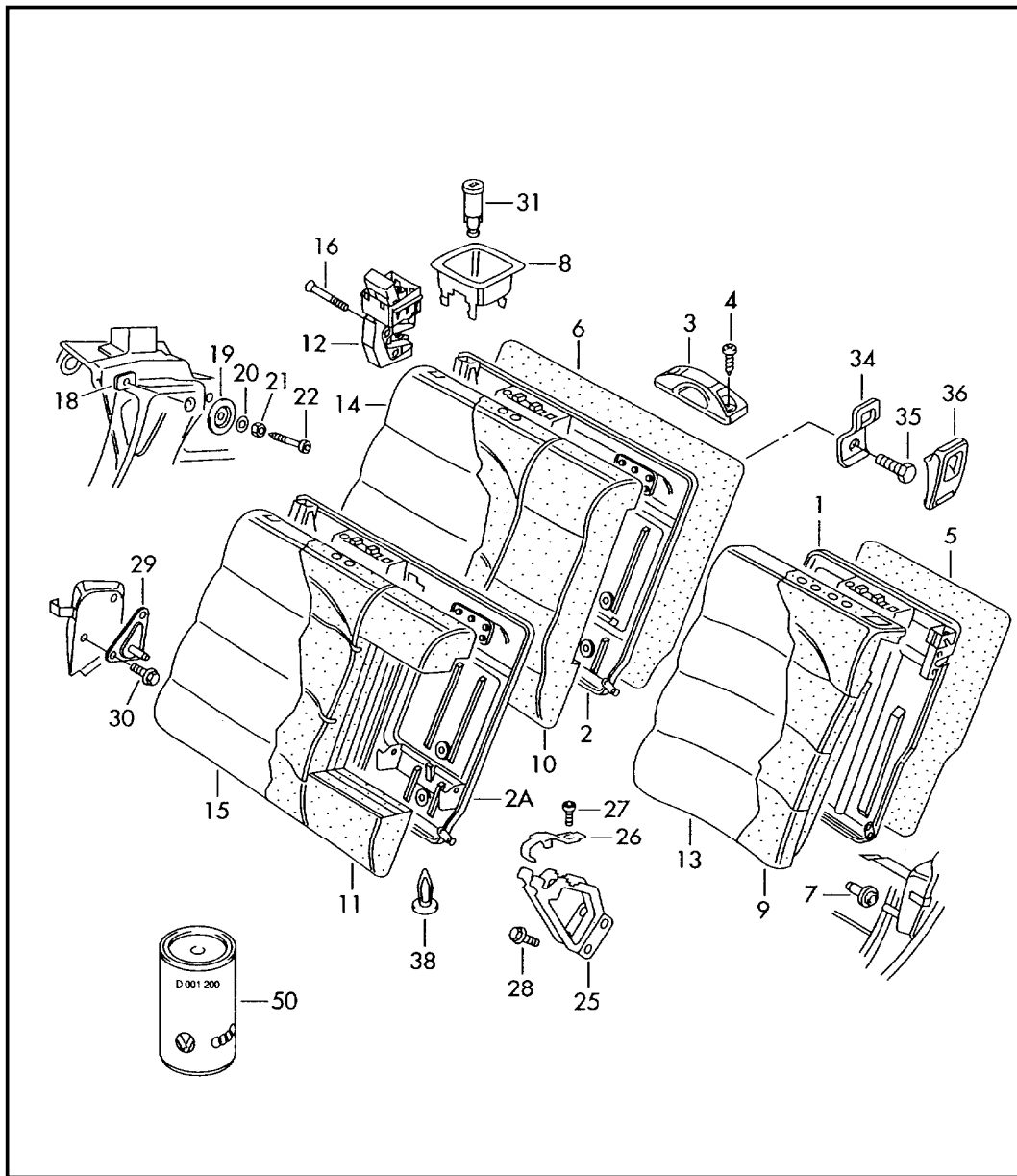


Pos	Part Number	Name	Remarks	Qty	Model
1		backrest F 3B-4-160 001>>*	rear		sedan
		see illustration:	885-95		
1A	3B0 885 585 B	mounting for armrest	center	1	
- +	N 904 786 01	pop-rivet	A4, 8X11X9,5	X	
-	3B0 885 663	cap		1	
(2)	3B5 885 775 C	padding for backrest		1	PR-3C7
(3)	3B0 885 805 FC	backrest cover (leather/leatherette) with heater element		1	PR-N0X
	11/03-05/04LGM	flannel grey	-LP		
	11/03-05/04RSE	anthracite	-LM		
	11/03-05/04RSF	beige	-LT		
(3)	3B0 885 805 GJ	backrest cover (leather/leatherette) with heater element		1	PR-N0X
	06/04-06/05LGM	flannel grey	-LP		
	06/04-06/05RSE	anthracite	-LM		
	06/04-06/05RSF	beige	-LT		
(3)	3B0 885 805 FL	backrest cover (cloth) with heater element		1	PR-N5N
	11/03-05/04RKA	anthracite	-GT		
	11/03-05/04RKB	flannel grey	-GU		
	11/03-05/04RRV	beige	-GV		
(3)	3B0 885 805 GE	backrest cover (cloth) with heater element		1	PR-N5N
	06/04-06/05RKA	anthracite	-GT		
	06/04-06/05RKB	flannel grey	-GU		
	06/04-06/05RRV	beige	-GV		
(3)	3B0 885 805 FN	backrest cover (leatherette)		1	PR-N0C
	11/03-05/04SEM	anthracite	-BH		
	11/03-05/04SEN	flannel grey	-BK		
	11/03-05/04SEP	beige	-BL		


Model	Year	MG	SG	Illustration	Restrictions	UPD	22:13	11.12.2006		ETKA
PA	2005	8	85	885-65		597	USA			

Pos	Part Number	Name	Remarks	Qty	Model	Pos	Part Number	Name	Remarks	Qty	Model
(3)	3B0 885 805 GL	backrest cover (leatherette)		1	PR-N0C	19	3B0 886 261 A	bracket for headrest	center	1	
	06/04-06/05SEM	anthracite	-BH			20	N 013 980 2	tapping screw, fill. hd.	ST4, 8X6, 5-F	X	
	06/04-06/05SEN	flannel grey	-BK			21	8D0 886 373	grommet		2	
	06/04-06/05SEP	beige	-BL								
-	1JM 898 761	repair kit	-latch-	1							
	11/03-06/053PT	cream beige	-BL, GV, LT								
	11/03-06/0595R	anthracite	-BH, BK, GT, GU, LM, LP								
4	N 015 261 1	clamp	20X1, 8	X							
5	535 885 483 B	upholstery wire	2, 8X520	X							
(5)	1J0 881 883 E	upholstery wire for longitudinal seam	2X520	X							
(5)	N 901 626 06	upholstery wire	2, 8X368	X							
6-9		see illustration:	885-95								
10	+ N 905 763 01	pop-rivet	A4X9X8X1, 2	X							
11	N 989 514 01	speed nut	A5/16-18UNC	X							
12	1H5 858 846 A	spacer bushing		X							
13	1J0 858 849	retainer		X							
14	N 989 108 01	screw, hex. hd.	5/16"-18UNFX28	X							
15	1H0 887 301	cap		1							
	11/03-06/057G8	beige	-BL, GV, JG, LT, MZ, NN, QY, VU, XE								
	11/03-06/0571N	anthracite	-BH, BM, FA, GT, JF, LM, MX, NC, NM, QW, RU, VN, VT, XA, 92, 93, 95								
	11/03-06/05U71	flannel grey	-BK, FH, GU, LP, MY, ND, RV, VP, XB, 96								
16	321 867 164	plug		1							
	11/03-06/0501C	satin black	20MM								
18	3B0 885 963 A	bracket for headrest	left/right	2							


Model	Year	MG	SG	Illustration	Restrictions	UPD	22:13	11.12.2006		ETKA
PA	2005	8	85	885-70		597	USA			




Pos	Part Number	Name	Remarks	Qty	Model
		backrest, divided F >> 3B-4-160 000*	rear		
(1)	3B0 885 501 A	backrest frame also use:	left POS:5	1	sedan
(1)	3B9 885 501 A	backrest frame also use:	left POS:5		wagon: fr.wheel drv
(1)	3B0 885 501 A	backrest frame also use:	left POS:5	1	wagon: 4motion
(2A)	3B0 885 502 H	backrest frame for vehicles with center armrest and 3 headrests, rear also use:	right POS:6	1	PR-3C7,3NU/ 3NZ: sedan
(2A)	3B9 885 502 H	backrest frame for vehicles with center armrest and 3 headrests, rear also use:	right POS:6	1	PR-3C7,3NE/ 3NW: wagon: fr.wheel drv
(2A)	3B0 885 502 H	backrest frame for vehicles with center armrest and 3 headrests, rear also use:	right POS:6	1	PR-3C7,3NE/ 3NW: wagon: 4motion
3	3B9 885 557	retainer		2	wagon
	05/02-10/03B41	satin black	-BJ, FP, GA, JJ, VA, XR, YY, ZA,		
	05/02-10/03U71	flannel grey	-FQ, GB, JC, RN, TX, VB, ZH		
	05/02-07/0289H	sunshine beige	-GC, JD, NH, TY, VD, XS, YT, ZJ,		
	05/02-10/037H7	sunshine beige	-GC, JD, NH, TY, VD, XS, YT, ZJ,		
4	+ N 013 935 1	tapping screw, fill. hd.	B6, 3X25	4	wagon
(5)	3B5 885 753	trim panel for rear panel	left		
	05/02-10/031BS	anthracite		1	sedan
	05/02-10/038JS	off-black		1	sedan: 6 cylinder
(5)	3B9 885 753 B	trim panel for rear panel	left	1	wagon
	05/02-10/034ES	black	-BJ, FP, GA, JJ, VA, XR, YY, ZA,		

Model	Year	MG	SG	Illustration	Restrictions	UPD	22:13	11.12.2006		ETKA
PA	2005	8	85	885-70		597	USA			


Pos	Part Number	Name	Remarks	Qty	Model	Pos	Part Number	Name	Remarks	Qty	Model
	05/02-10/035EY	flannel grey	-FQ, GB, JC, RN, TX, VB, ZH				05/02-10/03B41	satin black	-BJ, FP, GA, VA,		
	05/02-10/0385Z	sunshine beige	-GC, JD, NH, TY, VD, XS, YT, ZJ,				05/02-10/03U71	flannel grey	-FQ, GB, VB, RN, TX, JC, ZH		
6	3B5 885 754	trim panel for rear panel	right			(8)	05/02-10/037H7	sunshine beige	-GC, JD, NH, VD,		
	05/02-10/031BS	anthracite		1	sedan		3B9 885 786	escutcheon	right	1	wagon
	05/02-10/038JS	off-black		1	sedan: 6 cylinder		05/02-10/03B41	satin black	-BJ, FP, GA, VA,		
(6)	3B9 885 754 B	trim panel for rear panel	right	1	wagon		05/02-10/03U71	flannel grey	-FQ, GB, VB, RN,		
	05/02-10/034ES	black	-BJ, FP, GA, JJ, VA, XR, YY, ZA,				05/02-10/037H7	sunshine beige	-GC, JD, NH, VD,		
	05/02-10/035EY	flannel grey	-FQ, GB, JC, RN, TX, VB, ZH			9	3B0 885 775 M	padding for backrest	left	1	
	05/02-10/0385Z	sunshine beige	-GC, JD, NH, TY, VD, XS, YT, ZJ,			(11)	3B0 885 776 AF	padding for backrest for vehicles with center armrest and 3 headrests, rear	right	1	PR-3C7
7	8D9 885 678	grommet		2		12	3B0 885 737 C	backrest lock	left	1	
	05/02-10/0301C	satin black					05/02-10/03U71	flannel grey	-FQ, GB, JC, NJ, RN, TX, VB, ZH		
8	3B5 885 747 B	escutcheon		2	sedan	(12)	3B0 885 737 E	backrest lock	left	1	
	05/02-07/0289H	sunshine beige	-GC, JD, NH, VD,				05/02-10/03B41	satin black	-BJ, FP, GA, JJ, VA, XR, YY, ZA,		
(8)	3B5 885 785	escutcheon	left	1	sedan		05/02-10/037H7	sunshine beige	-GC, JD, NH, TY, VD, XS, YT, ZJ, ZS, 54		
	05/02-10/03B41	satin black	-BJ, FP, GA, VA,			(12)	3B0 885 738 C	backrest lock	right	1	
	05/02-10/03U71	flannel grey	-FQ, GB, VB, RN, TX, JC, ZH				05/02-10/03U71	flannel grey	-FQ, GB, JC, NJ, RN, TX, VB, ZH		
(8)	08/02-10/037H7	sunshine beige	-GC, JD, NH, VD,				05/02-07/0289H	sunshine beige	-GC, JD, NH, TY, VD, XS, YT, ZJ,		
	3B5 885 786	escutcheon	right	1	sedan		05/02-10/037H7	sunshine beige	-GC, JD, NH, TY, VD, XS, YT, ZJ,		
	05/02-10/03B41	satin black	-BJ, FP, GA, VA,			(12)	3B0 885 738 E	backrest lock	right	1	
	05/02-10/03U71	flannel grey	-FQ, GB, VB, RN,				05/02-10/03B41	satin black	-BJ, FP, GA, JJ, VA, XR, YY, ZA,		
	08/02-10/037H7	sunshine beige	-GC, JD, NH, VD,			(13)	3B0 885 805 EQ	backrest cover (cloth) with heater element	left	1	PR-N0U, 4A0/4A3/4A4, 3B3
(8)	3B9 885 747 B	escutcheon		2	wagon						
	05/02-02/03B41	satin black	-BJ, FP, GA, VA,								
	05/02-07/0289H	sunshine beige	-GC, JD, NH, VD, XS, ZJ, ZS, YT,								
(8)	3B9 885 785	escutcheon	left	1	wagon						

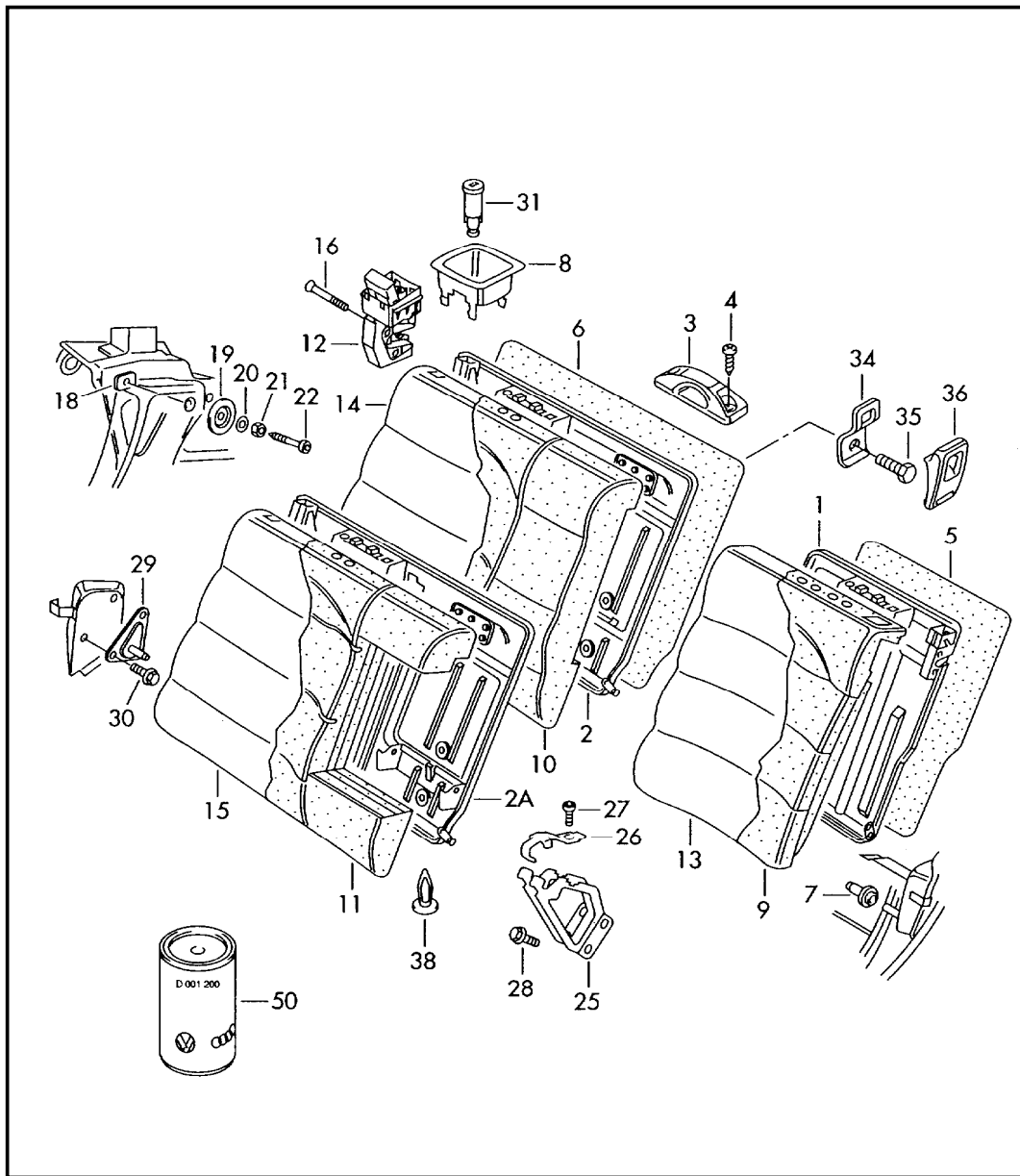
Model	Year	MG	SG	Illustration	Restrictions	UPD	22:13	11.12.2006		ETKA
PA	2005	8	85	885-70		597	USA			

Pos	Part Number	Name	Remarks	Qty	Model	Pos	Part Number	Name	Remarks	Qty	Model
	05/02-10/03PDX	black	-GA			(25)	4B9 886 177 A	central mounting for split backrest		1	wagon: PR-1X1
	05/02-10/03PDY	flannel grey	-GB			(25)	4B9 886 177 A	central mounting for split backrest		1	sedan
	05/02-10/03PDZ	sunshine beige	-GC								
(13)	3B0 885 805 FA	backrest cover(leather/leatherette) with heater element	left	1	PR-N0X,4A0/4A3/4A4	26	8E0 886 193	cover		1	
	05/02-10/03LGL	black	-VA			27	N 103 122 01	innensechsrund-linsenbundschr.	M6X20-R-B	1	
	05/02-10/03LGM	flannel grey	-VB			28	N 102 534 01	bolt, with hex. socket hd. (combi.)	M8X18	4	
	05/02-10/03LGN	sunshine beige	-VD			29	4B9 886 817 A	fitting for bench seat	left	1	
(15)	3B0 885 806 DE	backrest cover(leather/leatherette) with heater element for vehicles with center armrest	right	1	PR-N0X	(29)	4B9 886 818 A	fitting for bench seat	right	1	
	05/02-10/03LGL	black	-VA			30	N 100 052 04	bolt, hex. hd. (combi.)	M8X18	4	
	05/02-10/03LGM	flannel grey	-VB			31	f 107 857 113 JA	lock cylinder without key * to retain the one key * system the key code * number and/or vehicle * ident.number (vin) must * be quoted when ordering		1	
	05/02-10/03LGN	sunshine beige	-VC								
(15)	3B0 885 806 DC	backrest cover (cloth) with heater element for vehicles with center armrest	right	1	PR-N0U,4A0/4A3/4A4	34	443 887 269	bracket		3	wagon
	05/02-10/03PDX	black	-GA			(34)		see illustration:	885-60		sedan
	05/02-10/03PDY	flannel grey	-GB			35	+ N 010 241 18	screw, hex. hd.	M8X22	3	wagon
	05/02-10/03PDZ	sunshine beige	-GC			(35)		see illustration:	885-60	3	sedan
	1JM 898 761	repair kit	-ISOFIX-	1		36	443 887 301 C	cap		3	wagon
	05/02-06/023PT	cream beige	-GC				05/02-10/032ET	slate (grey)	-FQ,GB,JC,RN, TX,VB,ZH		
	05/02-06/0295R	anthracite	-GA,GB				05/02-10/0301C	satin black	-BJ,FP,GA,JJ, JL,NG,RW,TW, VA,XR,YY,ZA, ZR,53		
18	4A9 809 237	threaded plate		2							
19	3B0 885 967	concave washer		2		(36)	6N0 887 301	cap		3	wagon
20	N 907 771 01	washer	13X32X3	1			05/02-10/0392F	petrol (green)	-TZ,XT,YU,ZT		
21	N 021 281 5	hex. nut	M12X1	2			05/02-07/0289H	sunshine beige	-GC,JD,NH,VD, XS,ZJ,ZS,TY, 54		
22	4B9 885 619 C	lock pin		2							
25	3B0 886 177	central mounting for split backrest		1	wagon: PR-1X0		05/02-10/037H7	sunshine beige	-GC,JD,NH,VD, XS,ZJ,ZS,TY, 54		


Model	Year	MG	SG	Illustration	Restrictions	UPD	22:13	11.12.2006		ETKA
PA	2005	8	85	885-70		597	USA			

Pos	Part Number	Name	Remarks	Qty	Model	Pos	Part Number	Name	Remarks	Qty	Model
(36)		see illustration:	885-60	3	sedan						
50	D 001 200	universal adhesive	600G	1							


Model	Year	MG	SG	Illustration	Restrictions	UPD	22:13	11.12.2006		ETKA
PA	2005	8	85	885-75		597	USA			




Pos	Part Number	Name	Remarks	Qty	Model
		backrest, divided F 3B-4-160 001>>*	rear		
1	3B0 885 501 A	backrest frame also use: F >> 3B-4-400 000*	left POS:5	1	sedan
(1)	3B0 885 501 B	backrest frame also use: F 3B-4-400 001>>*	left POS:5	1	sedan
(1)	3B9 885 501 A	backrest frame also use: F >> 3B-4-400 000*	left POS:5	1	wagon: fr.wheel drv
(1)	3B9 885 501 B	backrest frame also use: F 3B-4-400 001>>*	left POS.5	1	wagon: fr.wheel drv
(1)	3B0 885 501 A	backrest frame also use: F >> 3B-4-400 000*	left POS:5	1	wagon: 4motion
(1)	3B0 885 501 B	backrest frame also use: F 3B-4-400 001>>*	left POS.5	1	wagon: 4motion
(2A)	3B0 885 502 H	backrest frame for vehicles with center armrest and 3 headrests, rear also use: F >> 3B-4-400 000*	right POS:6	1	PR-3C7,3NU/ 3NZ: sedan
(2A)	3B0 885 502 M	backrest frame for vehicles with center armrest and 3 headrests, rear also use: F 3B-4-400 001>>*	right POS.6	1	PR-3C7,3NU/ 3NZ: sedan

Model	Year	MG	SG	Illustration	Restrictions	UPD	22:13	11.12.2006		ETKA
PA	2005	8	85	885-75		597	USA			


Pos	Part Number	Name	Remarks	Qty	Model	Pos	Part Number	Name	Remarks	Qty	Model
(2A)	3B9 885 502 H	backrest frame for vehicles with center armrest and 3 headrests, rear also use: F >> 3B-4-400 000*	right POS:6	1	PR-3C7,3NE/ 3NW: VARIANT: fr.wheel drv	(5)	3B9 885 753 B	trim panel for rear panel	left	1	wagon
							11/03-06/055EY	flannel grey	-BK, FH, GU, LP,		
						(5)	3B9 885 753 A	trim panel for rear panel	left	1	wagon
							11/03-06/056BH	anthracite	-BH, BM, FA, GT, JF, LM, MX, NC,		
							11/03-06/059AA	beige	-BL, GV, JG, LT,		
(2A)	3B9 885 502 M	backrest frame for vehicles with center armrest and 3 headrests, rear also use: F 3B-4-400 001>>*	right POS.6	1	PR-3C7,3NE/ 3NW: VARIANT: fr.wheel drv	6	3B5 885 754	trim panel for rear panel	right		
							11/03-06/051BS	anthracite		1	sedan
							11/03-06/058JS	off-black		1	sedan: 6 cylinder
(2A)	3B0 885 502 H	backrest frame for vehicles with center armrest and 3 headrests, rear also use: F >> 3B-4-400 000*	right POS:6	1	PR-3C7,3NE/ 3NW: VARIANT: 4motion	(6)	3B9 885 754 B	trim panel for rear panel	right	1	wagon
							11/03-06/055EY	flannel grey	-BK, FH, GU, LP,		
						(6)	3B9 885 754 A	trim panel for rear panel	right	1	wagon
							11/03-06/059AA	beige	-BL, GV, JG, LT,		
							11/03-06/056BH	anthracite	-BH, BM, FA, GT, JF, LM, MX, NC,		
(2A)	3B0 885 502 M	backrest frame for vehicles with center armrest and 3 headrests, rear also use: F 3B-4-400 001>>*	right POS.6	1	PR-3C7,3NE/ 3NW: VARIANT: 4motion	7	8D9 885 678	grommet		2	
							11/03-06/0501C	satin black			
						(8)	3B5 885 785	escutcheon	left	1	sedan
							11/03-06/05U71	flannel grey	-BK, FH, GU, LP,		
							11/03-06/057G8	beige	-BL, GV, JG, LT,		
							11/03-06/0571N	anthracite	-BH, BM, FA, GT, JF, LM, MX, NC,		
3	3B9 885 557	retainer		2	wagon	(8)	3B5 885 786	escutcheon	right	1	sedan
	11/03-06/05U71	flannel grey	-BK, FH, GU, LP,				11/03-06/05U71	flannel grey	-BK, FH, GU, LP,		
	11/03-06/057G8	beige	-BL, GV, JG, LT,				11/03-06/057G8	beige	-BL, GV, JG, LT,		
	11/03-06/0571N	anthracite	-BH, BM, FA, GT, JF, LM, MX, NC,				11/03-06/0571N	anthracite	-BH, BM, FA, GT, JF, LM, MX, NC,		
4 + N	013 935 1	tapping screw, fill. hd.	B6,3X25	4	wagon						
(5)	3B5 885 753	trim panel for rear panel	left			(8)	3B9 885 785	escutcheon	left	1	wagon
	11/03-06/051BS	anthracite		1	sedan		11/03-06/05U71	flannel grey	-BK, FH, GU, LP,		
	11/03-06/058JS	off-black		1	sedan: 6 cylinder		11/03-06/057G8	beige	-BL, GV, JG, LT,		

Model	Year	MG	SG	Illustration	Restrictions	UPD	22:13	11.12.2006		ETKA
PA	2005	8	85	885-75		597	USA			


Pos	Part Number	Name	Remarks	Qty	Model	Pos	Part Number	Name	Remarks	Qty	Model
	11/03-06/0571N	anthracite	-BH, BM, FA, GT, JF, LM, MX, NC,				11/03-05/04LGM	flannel grey	-LP		
(8)	3B9 885 786	escutcheon	right	1	wagon		11/03-05/04RSE	anthracite	-LM		
	11/03-06/05U71	flannel grey	-BK, FH, GU, LP,				11/03-05/04RSF	beige	-LT		
	11/03-06/0571N	anthracite	-BH, BM, FA, GT, JF, LM, MX, NC,			(13)	3B0 885 805 GG	backrest cover (leather/leatherette) with heater element	left	1	PR-N0X
	11/03-06/057G8	beige	-BL, GV, JG, LT,				06/04-06/05LGM	flannel grey	-LP		
9	3B0 885 775 M	padding for backrest	left	1			06/04-06/05RSE	anthracite	-LM		
(11)	3B0 885 776 AF	padding for backrest for vehicles with center armrest and 3 headrests, rear	right	1	PR-3C7	(13)	06/04-06/05RSF	beige	-LT		
						(13)	3B0 885 805 FJ	backrest cover (cloth) with heater element	left	1	PR-N5N
(12)	3B0 885 737 C	backrest lock	left	1			11/03-05/04RKA	anthracite	-GT		
	11/03-03/04U71	flannel grey	-BK, FH, GU, LP,				11/03-05/04RKB	flannel grey	-GU		
	11/03-03/047G8	beige	-BL, GV, JG, LT,				11/03-05/04RRV	beige	-GV		
	11/03-03/0471N	anthracite	-BH, BM, FA, GT, JF, LM, MX, NC,			(13)	3B0 885 805 GC	backrest cover (cloth) with heater element	left	1	PR-N5N
(12)	3B0 885 737 E	backrest lock	left	1			06/04-06/05RKA	anthracite	-GT		
	04/04-06/05U71	flannel grey	-BK, FH, GU, LP,				06/04-06/05RKB	flannel grey	-GU		
	04/04-06/057G8	beige	-BL, GV, JG, LT,				06/04-06/05RRV	beige	-GV		
	04/04-06/0571N	anthracite	-BH, BM, FA, GT, JF, LM, MX, NC,			(13)	3B0 885 805 FM	backrest cover (leatherette)	left	1	PR-N0C
12	3B0 885 738 C	backrest lock	right	1			11/03-05/04SEM	anthracite	-BH		
	11/03-03/04U71	flannel grey	-BK, FH, GU, LP,				11/03-05/04SEN	flannel grey	-BK		
	11/03-03/047G8	beige	-BL, GV, JG, LT,				11/03-05/04SEP	beige	-BL		
	11/03-03/0471N	anthracite	-BH, BM, FA, GT, JF, LM, MX, NC,			(13)	3B0 885 805 GK	backrest cover (leatherette)	left	1	PR-N0C
(12)	3B0 885 738 E	backrest lock	right	1			06/04-06/05SEM	anthracite	-BH		
	04/04-06/05U71	flannel grey	-BK, FH, GU, LP,				06/04-06/05SEN	flannel grey	-BK		
	04/04-06/057G8	beige	-BL, GV, JG, LT,				06/04-06/05SEP	beige	-BL		
	04/04-06/0571N	anthracite	-BH, BM, FA, GT, JF, LM, MX, NC,			(15)	3B0 885 806 DE	backrest cover (leather/leatherette) with heater element	right	1	PR-N0X
(13)	3B0 885 805 FA	backrest cover (leather/leatherette) with heater element	left	1	PR-N0X		11/03-05/04LGM	flannel grey	-LP		
							11/03-05/04RSE	anthracite	-LM		
							11/03-05/04RSF	beige	-LT		

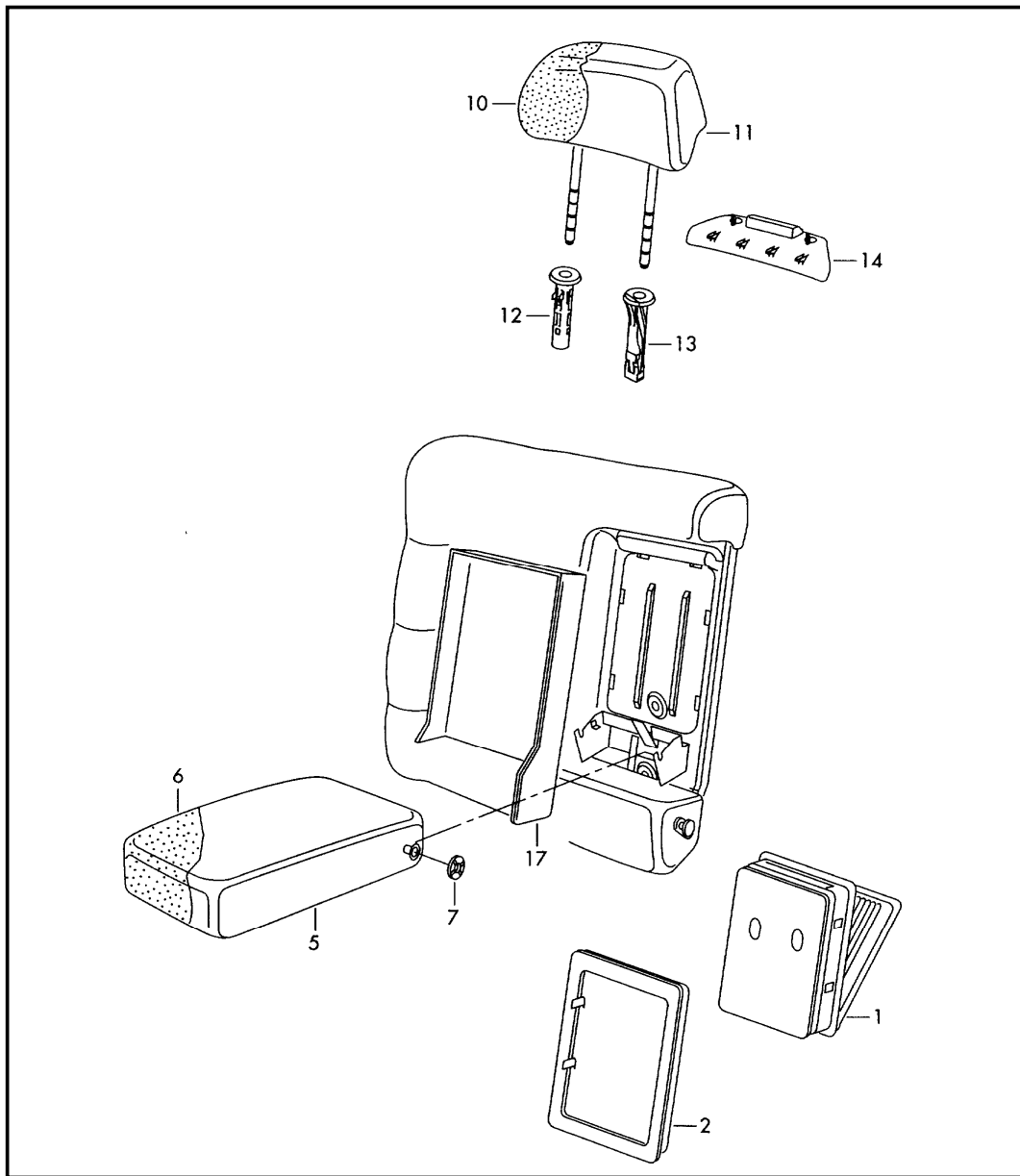
Model	Year	MG	SG	Illustration	Restrictions	UPD	22:13	11.12.2006		ETKA
PA	2005	8	85	885-75		597	USA			

Pos	Part Number	Name	Remarks	Qty	Model	Pos	Part Number	Name	Remarks	Qty	Model
(15)	3B0 885 806 EK	backrest cover(leather/leatherette) with heater element	right	1	PR-N0X	22	4B9 885 619 C	lock pin		2	
	06/04-06/05LGM	flannel grey	-LP			25	3B0 886 177	central mounting for split backrest F >> 3B-4-400 000		1	wagon: fr.wheel drv
	06/04-06/05RSE	anthracite	-LM								
	06/04-06/05RSF	beige	-LT			25	3B0 886 177 A	central mounting for split backrest F 3B-4-400 001>>		1	wagon: fr.wheel drv
(15)	3B0 885 806 DT	backrest cover (leatherette)	right	1	PR-N0C	(25)	4B9 886 177 A	central mounting for split backrest F >> 3B-4-400 000		1	wagon: 4motion
	11/03-05/04SEM	anthracite	-BH								
	11/03-05/04SEN	flannel grey	-BK								
	11/03-05/04SEP	beige	-BL								
(15)	3B0 885 806 EL	backrest cover (leatherette)	right	1	PR-N0C	(25)	4B9 886 177 C	central mounting for split backrest F 3B-4-400 001>>		1	wagon: 4motion
	06/04-06/05SEM	anthracite	-BH								
	06/04-06/05SEN	flannel grey	-BK								
	06/04-06/05SEP	beige	-BL			(25)	4B9 886 177 A	central mounting for split backrest F >> 3B-4-400 000		1	sedan
(15)	3B0 885 806 DS	backrest cover (cloth) with heater element	right	1	PR-N5N	(25)	4B9 886 177 C	central mounting for split backrest F 3B-4-400 001>>		1	sedan
	11/03-05/04RKA	anthracite	-GT								
	11/03-05/04RKB	flannel grey	-GU			26	8E0 886 193	cover		1	
	11/03-05/04RRV	beige	-GV			27	N 103 122 01	innensechsrund-linsenbundschr. F >> 3B-4-400 000	M6X20-R-B	1	
(15)	3B0 885 806 EH	backrest cover (cloth) with heater element	right	1	PR-N5N	(27)	N 908 163 01	innensechsrund-linsenschraube F 3B-4-400 001>>	M6X18-W	1	
	06/04-06/05RKA	anthracite	-GT								
	06/04-06/05RKB	flannel grey	-GU			28	N 102 534 01	bolt, with hex. socket hd. (combi.)	M8X18	4	
	06/04-06/05RRV	beige	-GV			29	4B9 886 817 A	fitting for bench seat	left	1	
-	1JM 898 761	repair kit	-latch-	1		(29)	4B9 886 818 A	fitting for bench seat	right	1	
	11/03-06/053PT	cream beige	-BL, GV, LT			30	N 100 052 04	bolt, hex. hd. (combi.)	M8X18	4	
	11/03-06/0595R	anthracite	-BH, BK, GT, GU, LM, LP			31	f 107 857 113 JA	lock cylinder without key * to retain the one key * system the key code * number and/or vehicle * ident.number (vin) must * be quoted when ordering		1	
18	4A9 809 237	threaded plate		2							
19	3B0 885 967	concave washer		2							
20	N 907 771 01	washer	13X32X3	1							
21	N 021 281 5	hex. nut	M12X1	2		34	443 887 269	bracket		3	wagon


Model	Year	MG	SG	Illustration	Restrictions	UPD	22:13	11.12.2006		ETKA
PA	2005	8	85	885-75		597	USA			

Pos	Part Number	Name	Remarks	Qty	Model	Pos	Part Number	Name	Remarks	Qty	Model
(34)		see illustration:	885-60		sedan						
35	+ N 010 241 18	screw, hex. hd.	M8X22	3	wagon						
(35)		see illustration:	885-65	3	sedan						
(36)	6N0 887 301	cap		3	wagon						
	11/03-06/057G8	beige	-BL, GV, JG, LT,								
	11/03-06/0571N	anthracite	-BH, BM, FA, GT, JF, LM, MX, NC,								
	11/03-06/05U71	flannel grey	-BK, FH, GU, LP,								
	11/03-06/0592F	petrol (green)	-JH, NQ, QZ, 94								
(36)		see illustration:	885-65	3	sedan						
50	D 001 200	universal adhesive	600G	1							


Model	Year	MG	SG	Illustration	Restrictions	UPD	22:14	11.12.2006		ETKA
PA	2005	8	85	885-90		597	USA			




Pos	Part Number	Name	Remarks	Qty	Model
		armrest headrests F	rear		
		>> 3B-4-160 000*			
(2)	3B0 885 217	frame		1	
	05/02-10/03B41	satin black	-BJ, FP, GA, JJ, JL, NG, RW, TW, VA, XR, YY, ZA, ZR, 53		
	05/02-10/03U71	flannel grey	-FQ, GB, JC, RN, TX, VB, ZH		
	05/02-07/0289H	sunshine beige	-GC, JD, NH, TY, VD, XS, YT, ZJ, ZS, 54		
	05/02-10/037H7	sunshine beige	-GC, JD, NH, TY, VD, XS, YT, ZJ, ZS, 54		
-	3B0 885 119	cup holder		1	PR-N0N/N5E/
(5+6)	3B0 885 081 AE	armrest (cloth)		1	PR-N0N
	05/02-12/0268A	black	-RW		
(5+6)	3B0 885 081 AN	armrest (cloth)	as required use: 3B0 885 119	1	PR-N0N
	01/03-10/0368A	black/black	-RW		
	01/03-10/0383A	flannel grey	-RN		
(5+6)	3B0 885 081 AM	armrest (leather)	as required use: 3B0 885 119	1	PR-N0X
	05/02-10/0388E	black	-VA		
	05/02-10/0385J	flannel grey	-VB		
	05/02-10/0389R	sunshine beige	-VD		
(5+6)	3B0 885 081 AQ	armrest (cloth)	as required use: 3B0 885 119	1	PR-N0U
	01/03-10/038N4	black	-GA		
	05/02-10/038P5	flannel grey	-GB		
	05/02-10/039K7	sunshine beige	-GC		
-	3B0 885 663	cap		1	
7	1H0 886 985	stop washer		2	

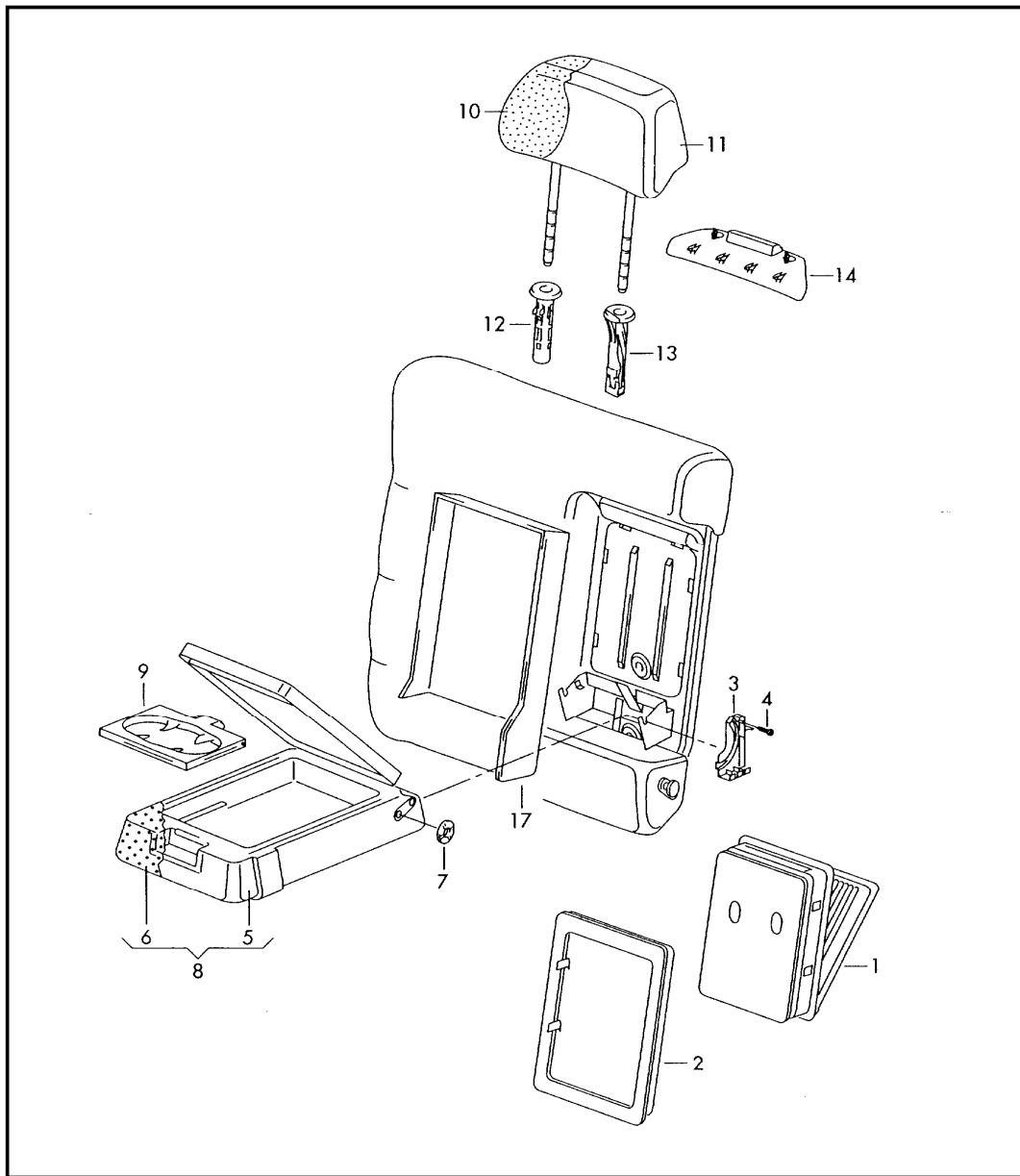
Model	Year	MG	SG	Illustration	Restrictions	UPD	22:14	11.12.2006		ETKA
PA	2005	8	85	885-90		597	USA			

Pos	Part Number	Name	Remarks	Qty	Model	Pos	Part Number	Name	Remarks	Qty	Model
(10)	3B0 885 905 L	headrest, ajustable	left a. right	2	PR-3NW/3NZ, 3Q6	12	1J0 886 920 B	guide for headrest, detachable	left/right	2	PR-3ND/3NH/3NW/3NZ
(10)	3B0 885 905 M	headrest, ajustable	left a. right	2	PR-3ND		05/02-10/03B41	satin black	-BJ, FP, GA, JJ, JL, NG, RW, TW, VA, XR, YY, ZA, ZR, 53		
(10)	3B0 885 905 H	headrest, ajustable	center	1	PR-3NW/3NZ						
(10)	3B0 885 905 N	headrest, ajustable	center	1	PR-3ND						
(11)	3B0 885 921 G	cover for headrest (cloth)	left a. right	2	PR-N0U		05/02-10/03U71	flannel grey	-FQ, GB, JC, RN, TX, VB, ZH		
	05/02-10/038N4	black	-GA				05/02-07/0289H	sunshine beige	-GC, JD, NH, TY, VD, XS, YT, ZJ, ZS, 54		
	05/02-10/038P5	flannel grey	-GB								
	05/02-10/039K7	sunshine beige	-GC				05/02-10/037H7	sunshine beige	-GC, JD, NH, TY, VD, XS, YT, ZJ, ZS, 54		
(11)	3B0 885 921 AG	cover for headrest (leather)	left a. right	2	PR-N0X	(12)	3B0 886 919	guide for headrest, detachable	center	1	PR-3NW/3NZ
	05/02-10/03LGL	black	-VA				05/02-10/03B41	satin black	-BJ, FP, GA, JJ, JL, NG, RW, TW, VA, XR, YY, ZA, ZR, 53		
	05/02-10/03LGM	flannel grey	-VB								
	05/02-10/03LGN	sunshine beige	-VD				05/02-10/03U71	flannel grey	-FQ, GB, JC, NJ, RN, TX, VB, ZH		
(11)	3B0 885 921 AG	cover for headrest (leather)	center	1	PR-N0X, 3ND		05/02-10/03U71	flannel grey	-FQ, GB, JC, NJ, RN, TX, VB, ZH		
	05/02-10/03LGL	black	-VA				05/02-07/0289H	sunshine beige	-GC, JD, NH, TY, VD, XS, YT, ZJ, ZS, 54		
	05/02-10/03LGM	flannel grey	-VB								
	05/02-10/03LGN	sunshine beige	-VD				05/02-10/037H7	sunshine beige	-GC, JD, NH, TY, VD, XS, YT, ZJ, ZS, 54		
(11)	3B0 885 921 G	cover for headrest (cloth)	center	1	PR-N0U, 3ND		05/02-10/0392F	petrol (green)	-TZ, XT, YU, ZT		
	05/02-10/038N4	black	-GA								
	05/02-10/038P5	flannel grey	-GB								
	05/02-10/039K7	sunshine beige	-GC								
(11)	3B0 885 921 L	cover for headrest (cloth) for vehicles with center armrest and 3 headrests, rear	center	1	PR-N0U, 3NW/3NZ	(13)	1J0 886 920 D	guide with push button for head restraint, adjustable	left/right	2	PR-3ND/3NH/3NW/3NZ
	05/02-10/038P5	flannel grey	-GB				05/02-10/03B41	satin black	-BJ, FP, GA, JJ, JL, NG, RW, TW, VA, XR, YY, ZA, ZR, 53		
(11)	3B0 885 921 AH	cover for headrest (leather) for vehicles with center armrest and 3 headrests, rear	center	1	PR-N0X, 3NW/3NZ		05/02-10/03U71	flannel grey	-FQ, GB, JC, RN, TX, VB, ZH		
	05/02-10/03LGL	black	-VA				05/02-07/0289H	sunshine beige	-GC, JD, NH, TY, VD, XS, YT, ZJ, ZS, 54		
	05/02-10/03LGN	sunshine beige	-VD			(13)	3B0 886 919 A	guide with push button for head restraint, adjustable	center	1	PR-3NW/3NZ


Model	Year	MG	SG	Illustration	Restrictions	UPD	22:14	11.12.2006		ETKA
PA	2005	8	85	885-90		597	USA			

Pos	Part Number	Name	Remarks	Qty	Model	Pos	Part Number	Name	Remarks	Qty	Model
	05/02-10/03B41	satin black	-BJ, FP, GA, JJ, JL, NG, RW, TW, VA, XR, YY, ZA, ZR, 53				05/02-10/03B41	satin black	-BJ, FP, GA, JJ, JL, NG, RW, TW, VA, XR, YY, ZA, ZR, 53		
	05/02-10/03U71	flannel grey	-FQ, GB, JC, NJ, RN, TX, VB, ZH				05/02-10/03U71	flannel grey	-FQ, GB, JC, RN, TX, VB, ZH		
	05/02-07/0289H	sunshine beige	-CG, JD, NH, TY, VD, XS, YT, ZJ, ZS, 54				05/02-07/0289H	sunshine beige	-CG, JD, NH, TY, VD, XS, YT, ZJ, ZS, 54		
	05/02-10/037H7	sunshine beige	-CG, JD, NH, TY, VD, XS, YT, ZJ, ZS, 54				05/02-10/037H7	sunshine beige	-CG, JD, NH, TY, VD, XS, YT, ZJ, ZS, 54		
(14)	3B0 885 719 C	cover strip for headrest	left a. right	2	PR-3Q6						
	05/02-10/03B41	satin black	-BJ, FP, GA, JJ, JL, NG, RW, TW, VA, XR, YY, ZA, ZR, 53								
	05/02-10/03U71	flannel grey	-FQ, GB, JC, RN, TX, VB, ZH								
	05/02-07/0289H	sunshine beige	-GC, JD, NH, TY, VD, XS, YT, ZJ, ZS, 54								
	05/02-10/037H7	sunshine beige	-GC, JD, NH, TY, VD, XS, YT, ZJ, ZS, 54								
(14)	3B0 885 719 D	cover strip for headrest	center	1							
	05/02-10/03B41	satin black	-BJ, FP, GA, JJ, JL, NG, RW, TW, VA, XR, YY, ZA, ZR, 53								
	05/02-10/03U71	flannel grey	-FQ, GB, JC, RN, TX, VB, ZH								
	05/02-07/0289H	sunshine beige	-GC, JD, NH, TY, VD, XS, YT, ZJ, ZS, 54								
	05/02-10/037H7	sunshine beige	-GC, JD, NH, TY, VD, XS, YT, ZJ, ZS, 54								
	05/02-10/0392F	petrol (green)	-TZ, XT, YU, ZT								
17	3B0 885 943 E	trim for armrest		1							


Model	Year	MG	SG	Illustration	Restrictions	UPD	22:14	11.12.2006		ETKA
PA	2005	8	85	885-95		597	USA			



Pos	Part Number	Name	Remarks	Qty	Model
		armrest headrests F 3B-4-160 001>>*	rear		
3	3B0 885 663	cap		1	
4	N 909 365 01	innensechsrund-blechschaube	3X12	1	
7	1H0 886 985	stop washer		2	
(8)	3B0 885 081 BC	armrest (cloth)		1	PR-N5N
	11/03-06/057AA	anthracite	-GT		
	11/03-06/058AM	flannel grey	-GU		
	11/03-06/059AC	beige	-GV		
(8)	3B0 885 081 BD	armrest (leatherette)		1	PR-N0C
	11/03-06/051NV	anthracite	-BH		
	11/03-06/051RN	flannel grey	-BK		
	11/03-06/051TR	beige	-BL		
(8)	3B0 885 081 AM	armrest (leather)		1	PR-N0X
	11/03-06/0585J	flannel grey	-LP		
	11/03-06/057BX	anthracite	-LM		
	11/03-06/059BC	beige	-LT		
9	3B0 885 119	cup holder		1	PR-4M6
(10)	3B0 885 905 L	headrest, ajustable	left a. right	2	PR-3NW/3NZ, 3Q6
(10)	3B0 885 905 M	headrest, ajustable	left a. right	2	PR-3ND
(10)	3B0 885 905 H	headrest, ajustable	center	1	PR-3NW/3NZ
(10)	3B0 885 905 N	headrest, ajustable	center	1	PR-3ND
(11)	3B0 885 921 AM	cover for headrest (cloth)		3	PR-N5N
	11/03-06/057AA	anthracite	-GT		
	11/03-06/058AM	flannel grey	-GU		
	11/03-06/059AC	beige	-GV		
(11)	3B0 885 921 AG	cover for headrest (leather)		3	PR-N0X
	11/03-06/05LGM	flannel grey	-LP		

Model	Year	MG	SG	Illustration	Restrictions	UPD	22:14	11.12.2006		ETKA
PA	2005	8	85	885-95		597	USA			

Pos	Part Number	Name	Remarks	Qty	Model	Pos	Part Number	Name	Remarks	Qty	Model
(11)	11/03-06/05RSE	anthracite	-LM		PR-N0C,3Q6	(13)	11/03-06/0571N	anthracite	-BH, BM, FA, GT, JF, LM, MX, NC, NM, QW, RU, VN, VT, XA, 92, 93, 95		PR-3ND/3NH/3NW/3NZ
	11/03-06/05RSF	beige	-LT				11/03-06/0592F	petrol (green)	-JH, NQ, QZ, 94		
	3B0 885 921 AR	cover for headrest (leatherette)		3			1J0 886 920 D	guide with push button for head restraint, adjustable	left/right	2	
(11)	11/03-06/051NV	anthracite	-BH		PR-3ND/3NH/3NW/3NZ	(13)	11/03-06/0571N	anthracite	-BH, BM, FA, GT, JF, LM, MX, NC, NM, QW, RU, VN, VT, XA, 92, 93, 95		PR-3NW/3NZ
	11/03-06/051RN	flannel grey	-BK				11/03-06/057G8	beige	-BL, GV, JG, LT, MZ, NN, QY, VU, XE		
	3B7 885 921 F	cover for headrest (leather)	left a. right	2			11/03-06/05U71	flannel grey	-BK, FH, GU, LP, MY, ND, RV, VP, XB, 96		
(11)	11/03-06/051TR	beige	-BL		PR-3ND/3NH/3NW/3NZ	(13)	3B0 886 919 A	guide with push button for head restraint, adjustable	center	1	PR-3NW/3NZ
	3B7 885 921 H	cover for headrest (leather)	center	1			11/03-06/05U71	flannel grey	-BK, FH, GU, LP, MY, ND, RV, VP, XB, 96		
	11/03-06/05RSN	anthracite	-QW				11/03-06/057G8	beige	-BL, GV, JG, LT, MZ, NN, QY, VU, XE		
12	11/03-06/05RSP	beige	-QY		PR-3NW/3NZ	(14)	3B0 885 719 B	cover strip for headrest	left a. right	2	PR-3Q6,3T3
	11/03-06/05RSP	beige	-QY				11/03-06/0571N	anthracite	-BH, BM, FA, GT, JF, LM, MX, NC, NM, QW, RU, VN, VT, XA, 92, 93, 95		
	1J0 886 920 B	guide for headrest, detachable	left/right	2			11/03-06/057G8	beige	-BL, GV, JG, LT, MZ, NN, QY, VU, XE		
(12)	11/03-06/057G8	beige	-BL, GV, JG, LT, MZ, NN, QY, VU, XE		PR-3NW/3NZ	(14)	3B0 885 719 C	cover strip for headrest	left a. right	2	PR-3Q6,3T3
	11/03-06/0571N	anthracite	-BH, BM, FA, GT, JF, LM, MX, NC, NM, QW, RU, VN, VT, XA, 92, 93, 95				11/03-06/05U71	flannel grey	-BK, FH, GU, LP, MY, ND, RV, VP, XB, 96		
	11/03-06/05U71	flannel grey	-BK, FH, GU, LP, MY, ND, RV, VP, XB, 96				11/03-06/0571N	anthracite	-BH, BM, FA, GT, JF, LM, MX, NC, NM, QW, RU, VN, VT, XA, 92, 93, 95		

Model	Year	MG	SG	Illustration	Restrictions	UPD	22:14	11.12.2006		ETKA
PA	2005	8	85	885-95		597	USA			

Pos	Part Number	Name	Remarks	Qty	Model	Pos	Part Number	Name	Remarks	Qty	Model
	11/03-06/05U71	flannel grey	-BK, FH, GU, LP, MY, ND, RV, VP, XB, 96								
	11/03-06/0571N	anthracite	-BH, BM, FA, GT, JF, LM, MX, NC, NM, QW, RU, VN, VT, XA, 92, 93, 95								
	11/03-06/057G8	beige	-BL, GV, JG, LT, MZ, NN, QY, VU, XE								
(14)	3B0 885 719 D	cover strip for headrest	center	1							
	11/03-06/05U71	flannel grey	-BK, FH, GU, LP, MY, ND, RV, VP, XB, 96								
	11/03-06/0592F	petrol (green)	-JH, NQ, QZ, 94								
	11/03-06/057G8	beige	-BL, GV, JG, LT, MZ, NN, QY, VU, XE								
	11/03-06/0571N	anthracite	-BH, BM, FA, GT, JF, LM, MX, NC, NM, QW, RU, VN, VT, XA, 92, 93, 95								
17	3B0 885 943 E	trim for armrest		1							
	11/03-06/0571N	anthracite	-BH, BM, FA, GT, JF, LM, MX, NC, NM, QW, RU, VN, VT, XA, 92, 93, 95								
	11/03-06/057G8	beige	-BL, GV, JG, LT, MZ, NN, QY, VU, XE								
	11/03-06/05U71	flannel grey	-BK, FH, GU, LP, MY, ND, RV, VP, XB, 96								



ETKA

Model	Year	MG	SG	Illustration	Restrictions	UPD	22:14	11.12.2006
PA	2005	8	98	898-00R		597	USA	

Pos	Part Number	Name	Remarks	Qty	Model
	>>3B0 898 011	1 set of mounting parts for rear view mirror comprising:		1	
	>>1JM 898 761	repair kit	-latch-	1	
	05/02-06/023PT	cream beige comprising:			
	>>1JM 898 761	repair kit	-latch-	1	
	05/02-06/0295R	anthracite comprising:			
	>>8D5 898 015	guide with cable	left/right rear	1	
		comprising:			
	>>8D5 898 200	1 set of ball end piece	left/right rear	1	
		comprising:			
	>>1J4 898 031	repair kit for seat comprising:		1	
	>>3B5 898 373	1 set of mounting parts for child's seat comprising:		1	
	>>3D0 898 501	1 set of securing parts for floor mat		1	
	05/02-07/03B41	satin black comprising:			
	>>3D0 898 501	1 set of securing parts for floor mat		1	
	05/02-07/03U71	flannel grey comprising:			
	>>3D0 898 501	1 set of securing parts for floor mat		1	
	05/02-07/037H7	sunshine beige comprising:			
	>>3D0 898 501	1 set of securing parts for floor mat		1	
	05/02-07/0392F	petrol (green) comprising:			
	>>3D0 898 501 B	1 set of securing parts for floor mat		1	
	08/03-10/03B41	satin black comprising:			



ETKA

Model	Year	MG	SG	Illustration	Restrictions	UPD	22:14	11.12.2006
PA	2005	8	98	898-00R		597	USA	

Pos	Part Number	Name	Remarks	Qty	Model
	>>3D0 898 501 B	1 set of securing parts for floor mat		1	
	08/03-06/05U71	flannel grey comprising:			
	>>3D0 898 501 B	1 set of securing parts for floor mat		1	
	11/03-06/057G8	beige comprising:			
	>>8D5 898 652 A	1 set of rubber stop comprising: comprising:		1	
	>>8D5 898 671	1 set of mounting - wind defl. comprising:	left/right	1	
	3B9 898 749	1 set of mounting parts for child's seat		1	
	05/02-06/05B41	satin black comprising:			
	3B9 898 749	1 set of mounting parts for child's seat		1	
	05/02-06/05Q70	light beige comprising:			
	3B9 898 749	1 set of mounting parts for child's seat		1	
	05/02-06/05U71	flannel grey comprising:			
-	>>1J0 898 943	repair kit for wire mat		2	
-	>>1J0 898 943 A	repair kit for lumbar support		2	