

# VW JETTA (NEW STYLE) 1999-03

## VW JETTA (NEW STYLE) 1999-03

### SECTION INDEX

A/C/HEATER/VENTILATION.....	1224
A/C REFRIGERANT CAPACITIES.....	1224
ABS/BRAKES.....	1226
AIR BAG SYSTEM.....	1226
AIR CLEANER.....	1230
BACK WINDOW.....	1238
CENTER CONSOLE.....	1233
CLEAR COAT IDENTIFICATION.....	1222
COOLING.....	1223
COVL. & DASH.....	1233
ELECTRICAL.....	1232
EMISSION SYSTEM.....	1231
ENGINE UNDER COVER.....	1229
ENGINE/TRANS.....	1228
ENGINE/TRANS MOUNTS.....	1229
EXHAUST.....	1231
FRONT BUMPER.....	1222
FRONT DOOR.....	1235
FRONT DRIVE AXLE.....	1227
FRONT FENDER.....	1225
FRONT INNER STRUCTURE.....	1225
FRONT LAMPS.....	1223
FRONT SEAT.....	1234
FRONT STEERING LINKAGE/GEAR.....	1227
FRONT SUSPENSION.....	1227
FUEL TANK.....	1241
GRILLE.....	1222
HOOD.....	1223
INFORMATION LABELS.....	1222
INSTRUMENT PANEL.....	1233
LIFTGATE.....	1240
LUGGAGE LID.....	1239
PAINT CODE LOCATION.....	1222
QUARTER GLASS.....	1239
REAR BODY.....	1241
REAR BUMPER.....	1242
REAR DOOR.....	1236
REAR LAMPS.....	1242
REAR SEAT.....	1234
REAR SUSPENSION.....	1240
ROCKER/PILLARS/FLOOR.....	1234
ROOF.....	1237
SEAT BELTS.....	1234
SIDE BODY.....	1238
SPECIAL CAUTIONS.....	1222
STEERING PUMP.....	1228
STEERING WHEEL/COLUMN.....	1228
SUNROOF.....	1237
TURBOCHARGER/INTERCOOLER.....	1230
UNDERHOOD DIMENSIONS.....	1225
WHEEL.....	1226
WINDSHIELD.....	1232

### SPECIAL CAUTIONS

#### AIR BAGS

Refer to Procedure Explanation 29 for Supplemental Restraint/Air Bag Special Cautions.

#### ELECTRICAL

Ignition must be in off position before any electrical repair or washing of engine is performed. Obtain radio anti-theft security code before performing any electrical repair.

#### SUSPENSION

Manufacturer advises that some new fasteners must be used whenever old fasteners are loosened or removed.

#### WELDING

Before initiating any repair involving the use of an electric welder, the ignition must be in the off position and both battery terminals as well as ABS card disconnected.

### PAINT CODE LOCATION

Paint code located on left door jamb.

### CLEAR COAT IDENTIFICATION

All colors are clear coat.

### INFORMATION LABELS

<b>Label, Air Bag Warning</b>	99-01 4D0 010 142 A	4.85
	02-03 N.A.	0.00
<b>Label, A/C</b>	99-01 1JM 010 252 L	1.85
	02-03 N.A.	0.00
<b>Label, Fuel Type</b>		
Unleaded Fuel	99-01 1H0 010 092 N	1.90
	02-03 N.A.	0.00
Diesel Fuel	99-01 1H0 010 092 R	1.10
	02-03 N.A.	0.00
<b>Label, Tire Pressure</b>		
Gas	99-01 1J0 010 285 J	1.60
	02-03 N.A.	0.00
Diesel	99-00 1J0 010 251 R	.73
	01 1J0 010 273 A	2.05
	02-03 N.A.	0.00

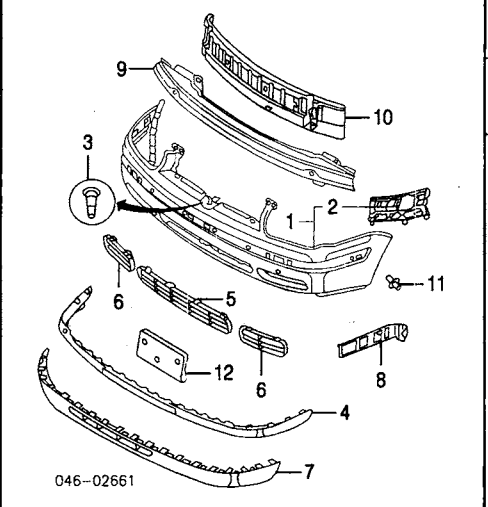
### FRONT BUMPER

Use Procedure Explanations 1 and 28 with the following text.

Refinish Bumper Cover.....	2.2
Refinish Cover Moulding.....	.8
R&I Bumper Assy.....	#1.0
O/H Bumper Assy (Includes R&I).....	#1.6

#Includes R&I Grille

NOTE: All Parts in this section are included in overhaul unless noted otherwise.

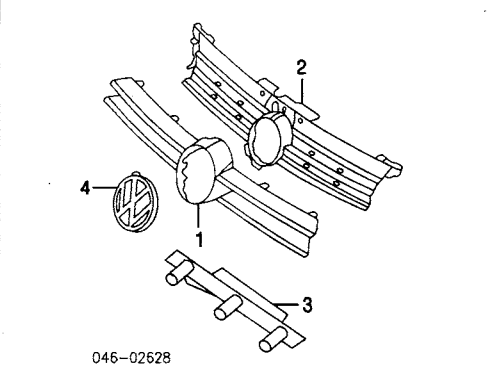


<b>1 Cover Assy, Bumper (P)</b>	1J5 807 217 J GRU	#1.6	246.25
(P) Paint to Match			
#Includes R&I Grille			
<b>2 Support, Outer</b>	R 1J5 807 724 A	.2	6.35
	L 1J5 807 723 A	.2	6.35
#Included w/Bumper Cover Assy			
<b>3 Bolt, Mounting (7)</b>	Sedan N 907 750 01	.38	
	Wagon 6N0 807 199	1.40	
<b>4 Moulding, Cover (P)</b>	1J5 807 719 F GRU	.3	65.00
(P) Paint to Match			
<b>5 Grille, Ctr Cover</b>	Sedan 1J5 853 677 B B41	.2	16.50
	Wagon 1J5 853 677 C B41	.2	24.15
<b>6 Grille, Ctr Cover</b>	Sedan R 1J5 853 666 B B41	.2	7.30
	L 1J5 853 665 B B41	.2	8.75
	Wagon R 1J5 854 662 C B41	.2	6.35
	L 1J5 853 665 B B41	.2	8.75
<b>7 Spoiler</b>	Sedan 1J5 805 903 B B41	.4	55.40
	Wagon 1J5 807 719 F GRU	.4	65.00
<b>8 Guide, Support</b>	R 1J5 807 184 B	#.1	6.55
	L 1J5 807 183 B	#.1	6.55
#w/Front Cover Removed, Not Included in O/H			
<b>9 Bar, Reinforcement</b>	Sedan 1J0 805 551 C	#.4	107.75
	Wagon 1J0 805 551 C	#.4	107.75
#w/Front Cover Removed, Includes R&R Impact Absorber, Not Included in O/H			
<b>10 Absorber, Impact</b>	Sedan 1J0 807 248 A	#.2	47.20
#w/Front Cover Removed, Not Included in O/H			
<b>11 Nut, Speed (8)</b>	N 015 439 1		.58
<b>12 Bracket, License</b>	Sedan 1J5 807 287 B41	.2	12.55

### GRILLE

#### SEDAN 1999-00 (TO 10-00)

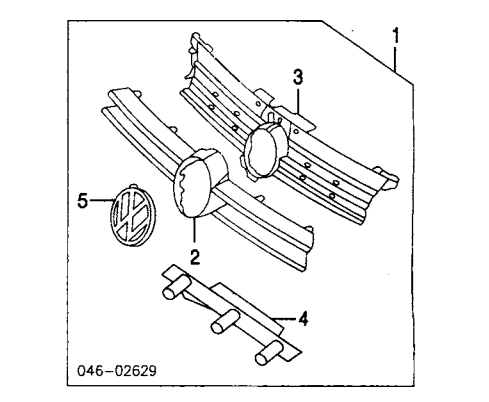
Refinish Grille.....	.7
R&I Grille.....	.4



<b>1 Grille (P)</b>	1J5 853 653 C GRU	#.5	51.30
(P) Paint to Match			
<b>2 Frame, Outer</b>	1J5 853 655 A 01C	#.5	39.75
<b>3 Duct, Grille Air</b>	1J5 853 562 01C	#.5	2.90
#R&R Complete, Includes R&R Emblem			
<b>4 Emblem, Grille (Adhesive)</b>	1J5 853 601 FDY	.2	24.50

#### SEDAN 2000-03 (FROM 10-00)

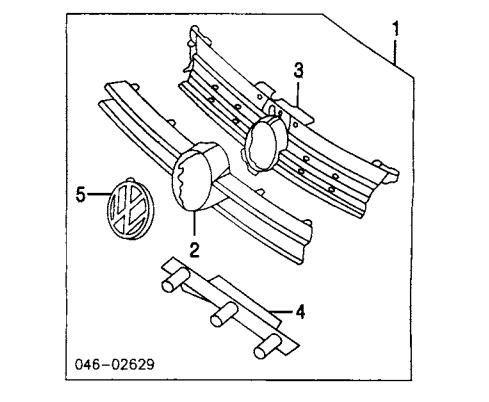
Refinish Grille.....	.7
R&I Grille.....	.4



<b>1 Grille Assy (P)</b>	1J5 853 651 K GRU	#.5	96.45
<b>2 Grille (P)</b>	1J5 853 653 E GRU	#.5	51.30
(P) Paint to Match			
<b>3 Frame, Outer</b>	1J5 853 655 C 01C	#.5	39.75
<b>4 Duct, Grille Air</b>	1J5 853 562 01C	#.5	2.90
#R&R Complete, Includes R&R Emblem			
<b>5 Emblem, Grille (Adhesive)</b>	1J5 853 601 FDY	.2	24.50
#Included w/Grille Assy			

#### WAGON

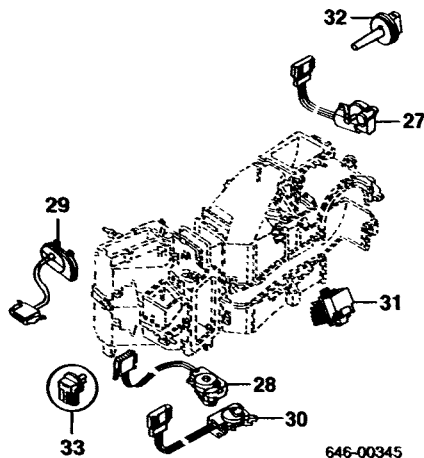
Refinish Grille.....	.7
R&I Grille.....	.4







Auto A/C #Includes Evaporator Core #Includes R&I Instrument Panel	LJ1 820 007 A	m #5.3	374.20
15 Fan & Motor	LJ1 819 021 B	m 5	232.90
16 Resistor	LJ0 819 022 A	m	62.65
17 Cover, Pollen	6N1 815 645 A	m	4.40
18 Frame, Filter Housing	LJ0 819 648	m	2.75
19 Housing, Filter	LJ1 819 640 B	m 3	17.25
20 Filter, Pollen	LJ0 819 644	m 3	26.50
21 Gasket, Housing	1H0 819 165	m	3.20
22 Core, Heater	LJ1 819 031 A	m #6.6	168.10
#Includes R&I Instrument Panel & Evaporator Housing			
23 Duct, Vent	LJ1 819 063 A	m	12.25
24 Motor, Adjustment Man A/C	LJ0 907 511	m	133.70
25 Connector, Vent	LJ0 815 825 A	m	1.45
26 Vent, Footwell	LJ1 819 151 D	m	7.85



646-00345

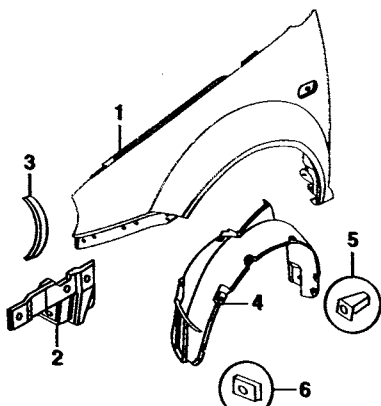
27 Motor, Auto A/C Adj	LJ1 907 511 A	m	133.70
28 Motor, Auto A/C Temp	LJ1 907 511 C	m	133.70
29 Motor, Defrost Flap	8D2 920 511 C	m	131.50
30 Motor, Auto A/C Vent	LJ1 907 511 D	m	133.70
31 Regulator, Auto A/C Temp	LJ0 907 521	m	164.15
32 Sensor, Intake Duct Temp	LJ0 907 543	m	22.10
33 Sensor, Temp	1H0 907 543 A	m	22.10

**FRONT FENDER**

Use Procedure Explanations 7 and 28 with the following text.

Refinish Fender Outside	R/L	2.0
Add to Edge	R/L	5
R&I Fender	R/L	#2.4

#Includes R&I Front Bumper Cover & R&I/R&R Fender Liner

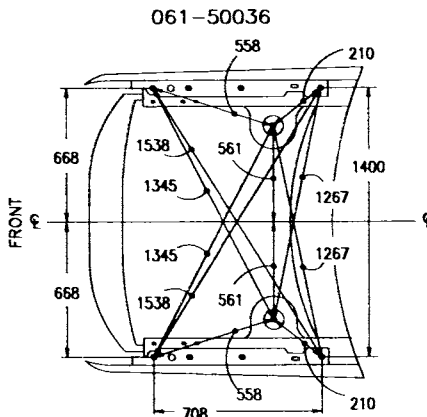


646-00346

1 Fender			
Sedan	R L J5 821 022 A	#2.6	189.80
	L L J5 821 021 A	#2.6	189.80
Wagon	R/L L J5 821 022-1	#2.6	143.65
#Includes R&I Front Bumper Cover & R&I/R&R Fender Liner			
2 Bolt, Fender	R/L L J0 821 136-5		7.60
3 Seal, Fender	R/L L J5 845 571 A		2.50
4 Liner, Fender	R L J0 809 962 B	A	38.70
	L L J0 809 957	A	29.10
5 Nut, Expanding (8/Side)	R/L N 908 338 01		.58
6 Nut, Speed (3/Side)	R/L N 015 439 1		.58

**UNDERHOOD DIMENSIONS**

1999-01



2002-03

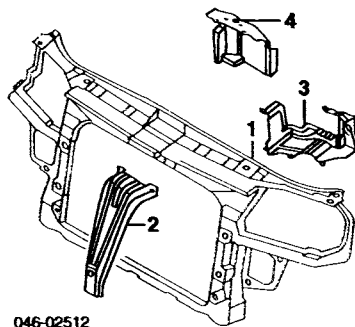
Information not available at time of publication.

**FRONT INNER STRUCTURE**

Use Procedure Explanations 8 and 28 with the following text.

FRONT

Refinish Front Support	1.5
Add to R&R Front Support	
To Air Lamps	A
To R&I/R&R Base Model Mechanical Components	#4
#Includes R&I/R&R A/C Condenser & Receiver/Drier	
Evacuate & Recharge System	1.4
Recover Refrigerant	3



046-02512

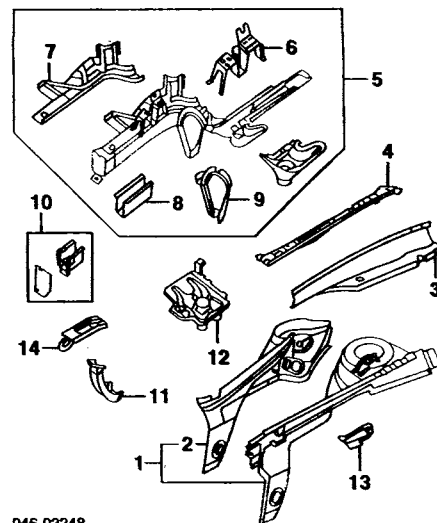
1 Support, Front			
4 Cyl	LJ0 805 588 H	#5.4	176.85
6 Cyl	LJ0 805 588 K	#5.7	247.05
Sedan	LJ0 805 588 M	#5.7	247.05
Wagon			
#Includes R&I Bumper Cover, R&I/R&R Combination Lamps, R&R Hood Latch, Intake Duct, Adjuster Shield Radiator, Cooling Electric Fan, Stroud & Disconnect & Connect Hood Release Cable, Wiring &/or Harness			
2 Bracket, Hood Latch	LJ0 805 567 B	4	13.30
3 Duct, Air Intake	LJ0 805 962 C B41		4.10
4 Shield, Adjuster	L LJ0 805 965 B41		3.10

SIDE

Refinish Front Apron Assy	R/L	1.0
Refinish Front Panel Section	R/L	.5
Refinish Upper Sidemember	R/L	.5
Refinish Sidemember Assy	R/L	1.0

Illustration Located in Next Column

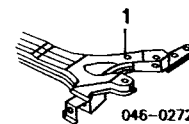
1 Apron Assy, Front			
Sedan	R L J1M 805 116 A	s #9.5	266.30
	L L J1M 805 115 A	s #9.5	221.95
Wagon	R L J0 809 102 C	s #9.5	188.80
	L L J0 809 101 D	s #9.5	193.10
2 Panel, Front Section	R/L L J0 809 106-5	s #4.5	100.90
#Included w/Front Apron Assy			
#Necessary Bolted Parts & Assemblies Removed			
3 Sidemember, Upper	R L J0 810 136 B	s 2.5	49.25



046-02248

4 Plate, Filler			
Sedan	R L J0 810 160 B	s 1.5	49.25
	L L J0 810 159 B	s 1.5	49.25
Wagon	R L J0 809 148 B	s 1.5	67.70
	L L J0 809 147 B	s 1.5	67.70
5 Sidemember Assy			
Sedan	R L J0 803 092 D	s #9.0	330.55
	L L J0 803 091 B	s #9.0	275.50
Wagon	R L J0 803 092 D	s #9.0	330.55
	L L J0 803 091 G	s #9.0	330.55
#Front Apron Assy or Front Panel Section Removed Deduct 3.0			
6 Bolt, Eng Mtg	R L J0 802 068 A	s 3.0	17.45
7 Plate, Cover	R L J0 803 108 A	s 4.5	46.85
	L L J0 804 105 B	s 4.5	96.85
8 Reinf, Frt Member	R L J0 803 106 B	s 2.5	104.10
	L L J0 803 105 A	s 2.5	104.10
9 Retainer, Sub-Frame	R L J0 803 128 C	s 5	78.25
	L L J0 803 127 C	s 5	78.25
#Included w/Sidemember Assy			
10 Extension, Sidemember	R L J0 802 532 D	s #3.0	82.55
	L L J0 802 531 B	s #3.0	82.55
#Included in R&R Sidemember Assy			
11 Plate, Fuel Tube Guide	L J0 804 140 A		12.75
12 Tray, Battery	L J1M 915 333 C		41.20
13 Plate, Hood Strut Mtg	L L J0 810 807		4.75
14 Eye, Towing	L J0 803 611	s 6	18.40

**SUB-FRAME**



046-02724

1 Sub-Frame	LJ0 199 313 J	m #2.6	256.50
#Deduct .5 for Each Lower Control Arm Removed, Not Included in OH			

**ELECTRICAL**

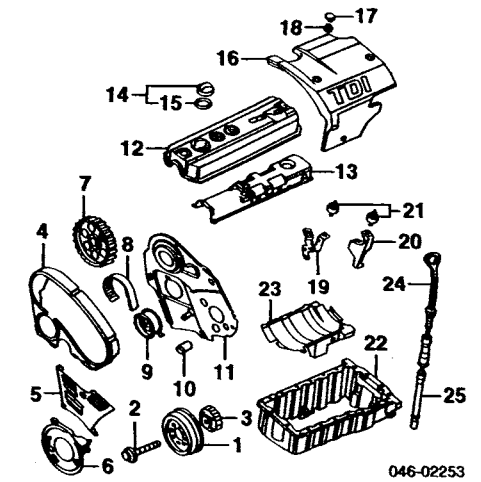
Illustration Located in Next Column

1 Box, Fuse	8D1 941 824	m 2.7	58.20
2 Holder, Relay/Fuse	8L0 941 822	m	112.20
3 Plate, Relay Mounting	8D0 937 503 E	m	9.70
4 Holder, Fuse	4B0 937 530	m	2.25
5 Relay, Fuel	LJ0 906 383 C	m 2	28.10
6 Fuse	N 017 131 12	m	.51
#Order by Application			
7 Holder, Fuse	99-01 1C0 937 617	2.4	41.05
	02-03 L J0 937 617 D	2.4	59.80
8 Cover, Fuse Box	99-01 1C0 937 555 C		10.20
	02-03 L J0 937 555 C		9.25
9 Retainer, Fuse Box	L J0 915 345		13.80
10 Hsg, Flat Contact	L J1 941 379	m	3.85
11 Cover, Housing	99-01 L J0 941 365 B 5B1		4.85
	02-03 L J0 941 089		5.80
	99-01 L J0 941 377 B 5B1		6.65
	02-03 L J0 941 369		11.55
13 Box, Upper Relay	L J0 941 385 A 01C		6.55
14 Box, Lower Relay	L J0 941 393 B B41		6.55
15 Plate, Relay Mtg	L J0 941 391 C 01C		4.85
16 Relay, Temp Sensor	141 951 253 B	m 3	3.90
17 Module, Fan/Relay Cont			

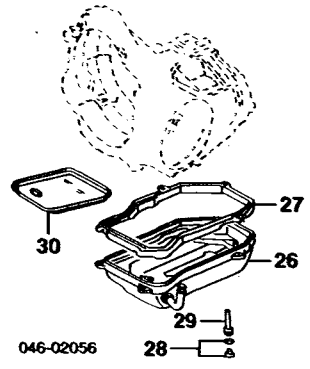








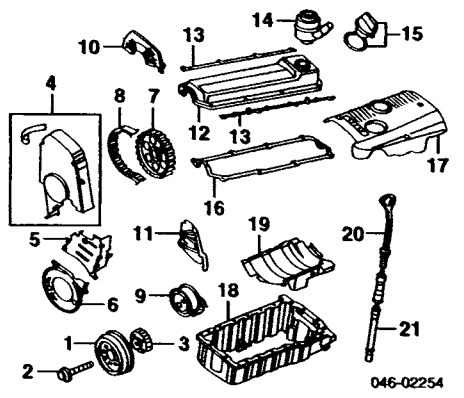
046-02253			
1 Damper, Vibration	038 105 243	m 1.0	297.25
2 Bolt, Damper	038 105 229		2.90
3 Sprocket, Lower Timing	038 105 263 E	m #2	23.55
#w/Lower Timing Cover Removed			
4 Cover, Upper Timing	038 109 107 C	m #1.7	28.60
5 Cover, Center Timing	038 109 147	m #1.7	13.50
6 Cover, Lower Timing	05A 109 175 B	m #1.7	8.40
#R&R Complete			
7 Sprocket, Upper Timing	038 109 111 A	m #2	19.25
#w/Upper Timing Cover Removed			
8 Belt, Timing	99-01 038 109 119 D	m #2.4	76.05
	02-03 038 109 119 M	m #2.4	76.05
#Includes R&R Timing Covers			
9 Pulley, Tensioner	038 109 243 N	m #3	94.50
10 Roller, Relay	058 109 244	m #3	37.60
#R&R Complete, w/Timing Belt & Covers Removed			
11 Plate, Rear Timing Cover	038 109 145 D	m	21.90
12 Cover, Valve	038 103 469 E	m #1.0	103.05
13 Separator, Oil	038 103 495	m #1.0	43.65
#R&R Complete			
14 Cap Assy, Oil Filter	06A 103 485 F		3.50
15 Gskt, Oil Filter Cap	06A 103 483 D		1.80
#Included w/Oil Filter Cap Assy			
16 Cover, Plastic	038 103 925 E		111.85
17 Grommet, Retaining (3)	038 103 638 A		1.90
18 Grommet, Cover	038 103 638 B		2.35
19 Bndt, Front Mtg	038 103 941 E		15.45
20 Bndt, Rear Mtg	038 103 945 B		6.40
21 Bolt, Retaining (3)	028 103 665		4.35
22 Pan, Eng Oil	038 103 601 NA	m #1.3	104.10
23 Baffle, Eng Oil	06B 103 623 C	m #1.3	10.65
#R&R Complete			
24 Sealant, Eng Oil Pan	D 176 404 A2		17.80
25 Dipstick, Eng Oil	038 115 611 B		8.40
25 Tube, Eng Dipstick	06A 103 634		9.10



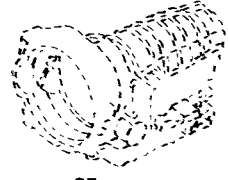
046-02056			
26 Pan, Trans Oil	01M 321 359	m #8	52.00
27 Gskt, Trans Oil Pan	096 321 370	m #8	25.10
#R&R Complete			
28 Plug, Trans Drain	N 904 142 01		2.40
29 Pipe, Drain	096 321 363		2.00
30 Filter, Trans	01M 325 429		38.15

**2.0L ENG**

R&I Engine Assy	m	7.2
Add to R&I Engine Assy		
w/Auto Trans	m	.5



046-02254			
1 Damper, Vibration	06A 105 243 E	m 1.0	200.05
2 Bolt, Damper	06A 105 229		2.25
3 Sprocket, Lower Timing	06A 105 263 E	m	23.55
4 Cover, Upper Timing	06A 109 108 B	m #1.3	21.95
5 Cover, Center Timing	06A 109 147 F	m #1.3	22.10
6 Cover, Lower Timing	06A 109 175 B	m #1.3	8.40
#R&R Complete			
7 Sprocket, Upper Timing	06A 109 105 D	m	20.50
8 Belt, Timing	06A 109 119 C	m	27
9 Pulley, Tensioner	06A 109 479 A	m	86.95
10 Plate, Upper Rear	048 109 173 A	m	5.65
11 Plate, Lower Rear	06A 109 129 A	m	6.65
12 Cover, Valve	99-01 06A 103 475 C	m 1.4	18.85
	02-03 06A 103 429 G	m 1.4	87.45
13 Strip, Valve Cover			
Front	050 103 591	m	7.25
Rear	056 103 591	m	5.55
14 Breather, Oil	99-01 06A 103 465	m	15.40
15 Cap, Oil Filter	06A 103 485 F		3.50
16 Gasket, Valve Cover	051 103 483 A	m	31.70
17 Cover, Plastic	99-01 06A 103 925 S	m .4	68.75
	02-03 06A 103 925 AJ	m	111.85
18 Pan, Eng Oil	038 103 601 NA	m 1.6	104.10
19 Baffle, Eng Oil	06B 103 623 C	m	10.65
20 Sealant, Eng Oil Pan	D 176 404 A2		17.80
21 Dipstick, Eng Oil	06A 115 611 B		10.10
21 Tube, Eng Dipstick	06A 103 634		9.10



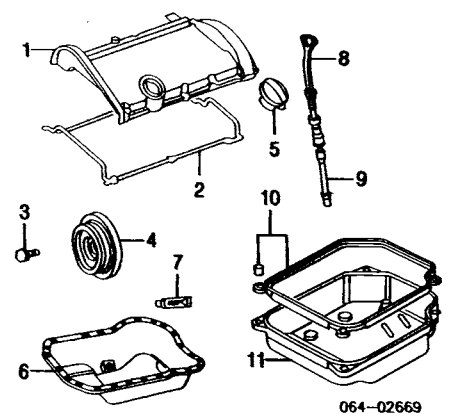
646-00359			
22 Pan, Trans Oil	01M 321 359	m #8	52.00
23 Gskt, Trans Oil Pan	096 321 370	m #8	25.10
#R&R Complete			
24 Filter, Trans	01M 325 429	m	38.15
25 Seal, Trans Filter	01M 325 443	m	5.35

**2.8L ENG**

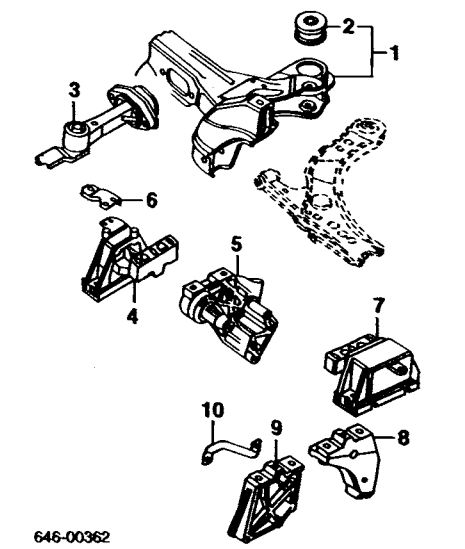
R&I Engine Assy	m	9.4
Add to R&I Engine Assy		
w/Auto Trans	m	.5

Illustration Located in Next Column

1 Cover, Valve	021 103 469 G	m #1.6	87.45
2 Gskt, Valve Cover	021 103 483 D	m #1.6	22.80
#R&R Complete			
3 Bolt, Damper	N 010 087 3		4.50
4 Damper, Vibration	021 105 243 D	m 1.0	373.65
5 Cap, Oil Filter	06A 103 485 F		3.50
6 Pan, Eng Oil	021 103 601 L	m 1.4	118.20
7 Sealant, Eng Oil Pan	D 176 404 A2		17.80
8 Dipstick, Eng Oil	021 115 607 H		9.80
9 Tube, Eng Dipstick	021 115 629 L		33.70
10 Gasket, Trans Oil Pan	096 321 370		25.10
11 Pan, Trans Oil	01M 321 359		52.00



**ENGINE/TRANS MOUNTS**



646-00362			
1 Sub-Frame-See Front Inner Structure Section			
2 Mount, Support-Serviced w/Sub-Frame			
3 Support, Rear			
4 Cyl			
1.8L, 2.0L Eng			
Man Trans	1J0 199 851 AA	.9	52.50
Auto Trans	1J0 199 851 N	.9	35.55
1.9L Eng	1J0 199 851 N	.9	35.55
6 Cyl	1J0 199 851 P	.9	65.60
4 Mount, Upper Eng/Trans			
4 Cyl	R 1J0 199 262 BF	1.1	100.55
6 Cyl	R 1J0 199 262 BG	1.1	161.60
5 Mount, Lower Eng/Trans			
4 Cyl	R 038 199 207 H	1.1	80.00
6 Cyl	99-01 R 1J0 199 354	1.1	113.15
	02-03 R 1J0 199 354 F	1.1	75.25
6 Bracket, Mount	R 1J0 199 358		9.00
7 Mount, Trans			
4 Cyl			
Man Trans	1J0 199 555 AH	1.8	51.30
Auto Trans	1J0 199 555 AJ	1.8	51.30
6 Cyl			
Man Trans	1J0 199 555 AH	1.8	51.30
Auto Trans	1J0 199 555 AN	1.8	51.30
8 Bndt, Auto Trans Mount	1J0 199 117 N		49.60
9 Bndt, Man Trans Mount	1J0 199 117 P		49.60
10 Support, Trans	1J0 199 359 D	.2	10.90

**ENGINE UNDER COVER**

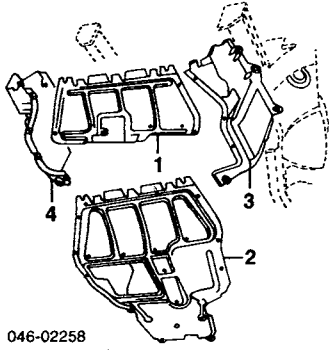
Illustration Located in Next Column

Cover, Eng Under			
1 Gas			
4 Cyl	1J0 825 237 R	.3	33.85
6 Cyl	99-01 1J0 825 237 P	.3	33.85
	02-03 1J0 825 237 R	.3	33.85
2 Diesel			
Man Trans	1J0 825 236 G	.3	221.60
Auto Trans	1J0 825 236 F	.3	221.60
3 Cover, Side Eng	1J0 825 245 J	.2	14.50
4 Cover, Drive Belt			



# VW JETTA (NEW STYLE) 1999-03

## ENGINE UNDER COVER Cont'd



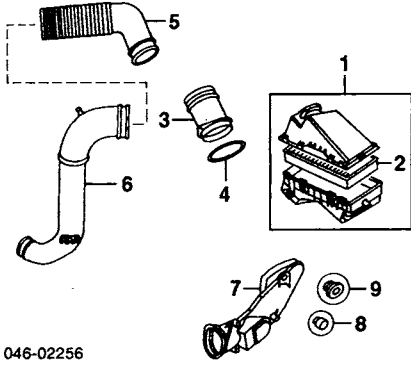
046-02258

Gas				
4 Cyl	99-01 1J0 825 250 J	2	33.85	
	02-03 1J0 825 250 F 01C	2	33.85	
6 Cyl	1J0 825 250 K	2	35.90	
Diesel	1J0 825 250 G	2	33.85	

## AIR CLEANER

### 4 CYL

R&I Air Cleaner Assy ..... 5

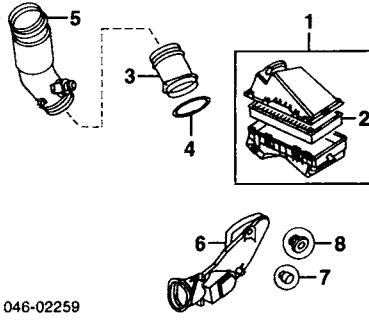


046-02256

<b>1 Cleaner Assy, Air</b>				
Sedan				
1.8L Eng	8J0 133 837 L	5	94.35	
1.9L Eng	1J0 129 607 AE	5	63.55	
2.0L Eng	1J0 129 607 AC	5	71.75	
Wagon	1J0 129 607 AC	5	71.75	
<b>2 Element, Cleaner</b>				
1.8L Eng	1J0 129 620 A	3	27.35	
1.9L, 2.0L Eng	1J0 129 620	3	12.00	
<i>Included w/Air Cleaner Assy</i>				
<b>3 Sensor, Air Flow</b>				
1.8L Eng	06A 906 461 D	m	5	210.10
1.9L Eng	06A 906 461	m	5	346.65
2.0L Eng	06A 906 461 G	m	5	328.30
	028 129 646			2.00
<b>4 Seal, Air Flow Sensor</b>				
<b>5 Pipe, Connecting</b>				
1.9L Eng	1J0 129 684 J	2	27.70	
2.0L Eng				
w/Cold Climate Spec				
Sedan	99-01 1J0 129 684 K	2	94.80	
	02-03 1J0 129 684 BL	2	96.45	
Wagon	01 1J0 129 684 AS	2	82.10	
	02-03 1J0 129 684 BL	2	96.45	
w/o Cold Climate Spec				
Sedan	99-01 1J0 129 684 G	2	94.80	
	02-03 1J0 129 684 BK	2	96.45	
Wagon	01 1J0 129 684 AT	2	82.10	
	02-03 1J0 129 684 BK	2	96.45	
<b>6 Tube, Intake</b>				
1.9L Eng				
w/Cold Climate Spec	99 1J0 129 654 M	2	153.90	
	00-03 1J0 129 654 T	2	65.60	
w/o Cold Climate Spec	99 1J0 129 654 L	2	100.90	
	00-03 1J0 129 654 S	2	65.60	
<b>7 Tube, Air Inlet</b>				
1.8L Eng	1J0 129 609 C	2	19.60	
2.0L Eng				
w/Cold Climate Spec	1J0 129 609 D	2	59.45	
w/o Cold Climate Spec	1J0 129 609 B	2	21.80	
<b>8 Bumper, Tube</b>	059 129 689		1.90	
<b>9 Grommet, Tube</b>	867 129 669		1.20	

### 6 CYL

R&I Air Cleaner Assy ..... 5

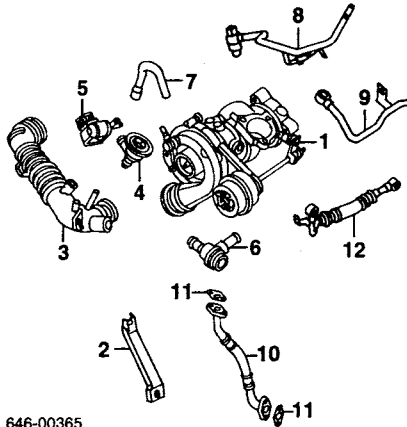


046-02259

<b>1 Cleaner Assy, Air</b>				
w/Cold Climate Spec	1J0 129 607 AH	5	63.55	
w/o Cold Climate Spec	1J0 129 607 T	5	108.95	
<b>2 Element, Cleaner</b>				
w/Cold Climate Spec	1J0 129 620	3	12.00	
w/o Cold Climate Spec	1J0 129 620 A	3	27.35	
<i>Included w/Air Cleaner Assy</i>				
<b>3 Sensor, Air Flow</b>	071 906 461 B	m	5	188.75
<b>4 Seal, Air Flow Sensor</b>	357 129 625			7.00
<b>5 Pipe, Connecting</b>	1J0 129 684 AA	2	82.10	
<b>6 Tube, Air Inlet</b>				
w/Cold Climate Spec	1J0 129 609 D	2	59.45	
w/o Cold Climate Spec	1J0 129 609 C	2	19.60	
<b>7 Bumper, Tube</b>	059 129 689		1.90	
<b>8 Grommet, Tube</b>	867 129 669		1.20	

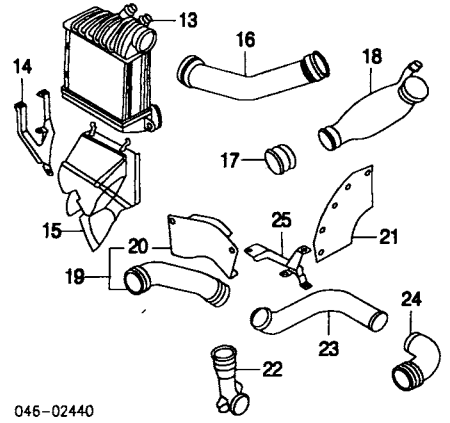
## TURBOCHARGER/INTERCOOLER

### 1.8L ENG



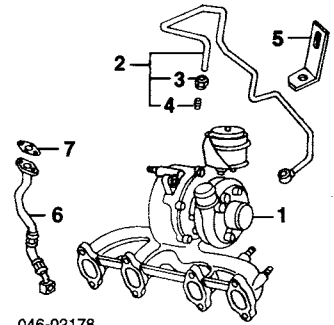
646-00365

<b>1 Turbocharger</b>				
New	06A 145 713 D	m	3.4	1224.00
Remanufactured	06A 145 713 DX	m	3.4	R776.00
<b>2 Bracket, Turbocharger</b>	06A 145 536 B			15.70
<b>3 Duct, Air Intake</b>	99-01 06A 133 354	m	.4	124.15
	02-03 06A 133 354 D	m	.4	87.45
	06A 129 101 A	m	.8	44.15
<b>4 Valve, Pressure</b>	058 906 283 F	m	.8	84.70
<b>5 Valve, Change-Over</b>	06A 145 710 N	m	m	30.90
<b>6 Valve, Cut-Off</b>	06A 145 712 C	m	m	28.70
<b>7 Line, Pressure Control</b>	06A 121 492 F	m	.8	102.60
<b>8 Pipe, Water</b>	06A 145 778 D	m	1.0	70.75
<b>9 Pipe, Oil</b>	06A 145 735 P	m	.9	87.45
<b>10 Line, Oil Return</b>				
<b>11 Gasket, Oil Line</b>				
Upper	058 145 757 B	m	2.05	
Lower	058 145 757 A	m	2.45	
<b>12 Line, Water</b>	06A 121 497	m		93.35
<i>Illustration Located in Next Column</i>				
<b>13 Intercooler</b>	1J0 145 803 G	m	1.8	300.55
<b>14 Bracket, Intercooler</b>	1J0 145 808 C			9.45
<b>15 Duct, Air</b>	1J0 121 467 A			17.45
<b>16 Hose, Pressure</b>	06A 145 708 D	m	.8	51.60
<b>17 Hose, Connector</b>	1J0 145 834 A	m	m	26.00
<b>18 Tube, Air Charge</b>	99-01 1J0 145 840 D	m	.7	136.60
	02-03 06A 145 894 C	m	.7	167.80
<b>19 Pipe Assy, Pressure Outlet</b>	06A 145 790 A	m	.4	105.65
<b>20 Shield, Outlet Pipe</b>	06A 145 867 F			20.45
<i>Included w/Pressure Outlet Pipe Assy</i>				
<b>21 Shield, Pressure Pipe</b>	06A 145 867 E			37.90
<b>22 Duct, Air</b>	06A 145 893 A			76.25
<b>23 Pipe, Pressure</b>	06A 145 731 F	m	.4	76.60
<b>24 Hose, Pressure</b>	06A 145 832 C	m	.6	43.40
<b>25 Bracket, Duct</b>	06A 145 756 A			25.90



046-02440

### 1.9L ENG



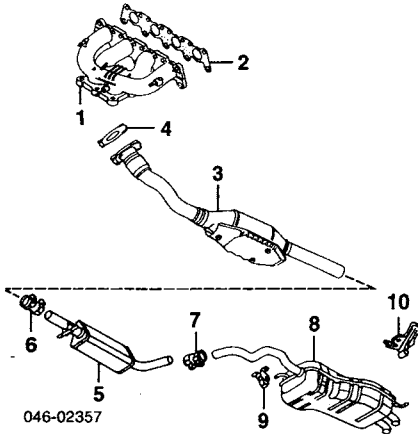
046-02178

<b>1 Turbocharger/Exh Manifold</b>				
New	99-01 038 253 019 A	m	4.0	1318.00
	02-03 038 253 019 C	m	4.0	1318.00
Remanufactured	99-01 038 253 019 AX	m	4.0	R826.00
	02-03 038 253 019 CX	m	4.0	R903.00
<b>2 Pipe Assy, Oil</b>	038 145 771 D	m	1.1	44.10
<b>3 Nut, Union</b>	N 021 022 2	m		8.50
<b>4 Ring, Seal</b>	N 020 829 2	m		5.95
<i>Included w/Oil Pipe Assy</i>				
<b>5 Bracket</b>	038 145 859 B			1.80
<b>6 Line, Oil Return</b>	028 145 736 AJ	m	.9	51.30
<b>7 Gsd, Oil Return Line</b>	028 145 757	m		2.00
<b>8 Intercooler</b>				
1999				
To VIN X037640	1J0 145 805 H	m	1.8	300.55
From VIN X037641	1J0 145 803 G	m	1.8	300.55
2000-03	1J0 145 803 G	m	1.8	300.55
<b>9 Brkt, Cooler Mtg</b>	1J0 145 808 C			9.45
<b>10 Duct, Air Cooler</b>	1J0 121 467 A	m		17.45
<b>11 Hose, Connector</b>	1J0 145 834 A	m	.6	26.00
<b>12 Pipe, Pressure</b>				
1999				
To VIN X037640	1J0 145 770 H	m	.7	63.55
From VIN X037641	1J0 145 770 T	m	.7	66.65
2000-03	1J0 145 770 T	m	.7	66.65
<b>13 Hose, Pressure</b>	1J0 145 838 B	m	.4	51.30
<b>14 Tube, Air Charge</b>				
1999				
To VIN Y085500	1J0 145 840 D	m	.6	136.60
From VIN Y085501	1J0 145 840 G	m	.6	40.00
2001-03	1J0 145 840 G	m	.6	40.00
<b>15 Hose, Connecting</b>	99 1J0 145 828 H	m	.4	29.70
	00-03 1J0 145 828 T	m	.4	47.40
<b>16 Sensor, Thrust</b>	038 906 051	m	.3	193.90

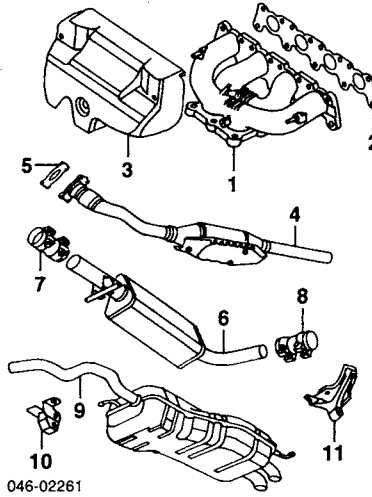
**EXHAUST**

**1.8L ENG**

R&R Exhaust System Complete..... #2.1  
*#Does Not Include R&R Exhaust Manifold*



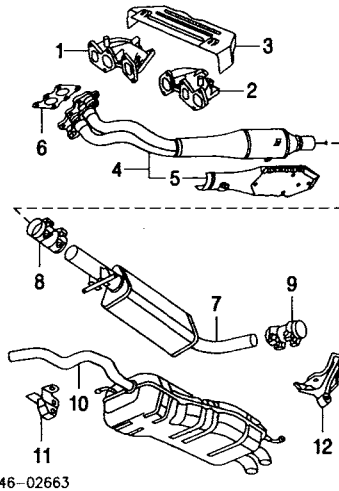
1	Manifold, Exhaust	06A 253 033 AL	m	2.8	265.10
2	Gskt, Exhaust Manifold	058 253 039 G	m		9.60
3	Converter, Catalytic	1J2 253 058 RX		1.6R	1026.00
<i>Order by Application</i>					
4	Gskt, Catalytic Converter	1J0 253 115 A		1.5	8.75
5	Muffler, Front	1J0 253 209 C			183.45
6	Clamp, Front	357 253 141 A			26.60
7	Clamp, Rear	893 253 139 A			17.90
8	Muffler, Rear	1J5 253 609 Q		.9	344.75
9	Brkt, Front Muffler	1J0 253 144			6.45
10	Brkt, Rear Muffler	1J0 253 144 J			16.00



3	Support, Manifold w/Calif Emission	06A 133 229 N			110.45
	w/o Calif Emission	06A 133 229 F			58.05
4	Converter w/Pipe, Catalytic	99-01 1J0 253 058 QX	1.8	F793.00	
		02-03 1J0 253 208 FL	1.8	1300.00	
<i>Order by Application</i>					
5	Gskt, Converter Pipe	1J0 253 115 L			9.25
6	Muffler, Front	1J0 253 209 B	.8		140.55
7	Sleeve, Front Clamp	357 253 141 A			26.60
8	Sleeve, Rear Clamp	191 253 141 F			14.00
9	Muffler, Rear	1J5 253 609 H	.9		166.70
10	Brkt, Front Muffler	1J0 253 144			6.45
11	Brkt, Rear Muffler	1J0 253 144 J			16.00

**2.8L ENG**

R&R Exhaust System Complete..... #2.2  
*#Does Not Include Exhaust Manifold & Shield*



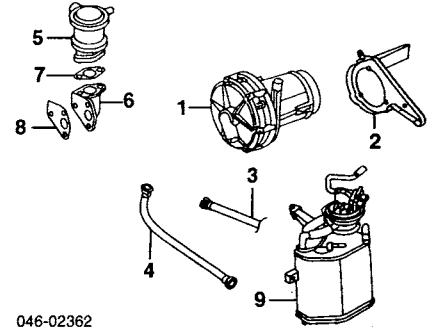
1	Manifold, Exhaust Cyl 1-3	021 253 031 C	m	#2.9	215.80
2	Manifold, Exhaust Cyl 4-6	021 253 032 E	m	#2.9	257.35
<i>R&amp;R Complete</i>					
3	Shield, Manifold Heat	021 253 037 E			21.85
4	Converter/Pipe Assy	1J0 253 208 FL	2.0		1300.00
5	Shield, Heat	7N0 253 243 A			73.80
<i>Included w/Converter/Pipe Assy</i>					
6	Gskt, Converter Pipe (2)	357 253 115 D		.8	7.70
7	Muffler, Front	1J0 253 209 C	.8		183.45
8	Sleeve, Front Clamp	357 253 141 A			26.60
9	Sleeve, Rear Clamp	893 253 139 A			17.90
10	Muffler, Rear	1J5 253 609 R	.9		338.60
11	Brkt, Front Muffler	1J0 253 144			6.45
12	Brkt, Rear Muffler	1J0 253 144 J			16.00

**EMISSION SYSTEM**

**1.8L ENG**

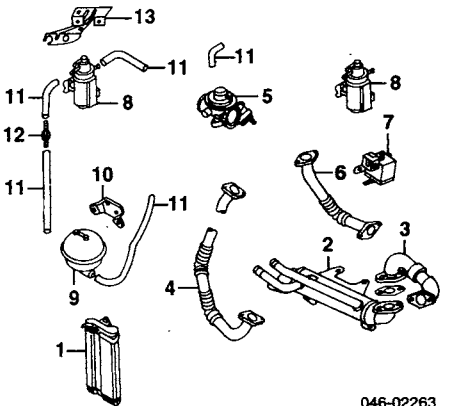
*Illustration Located in Next Column*

1	Pump, Air	078 906 601 D	m	2.2	242.45
---	-----------	---------------	---	-----	--------



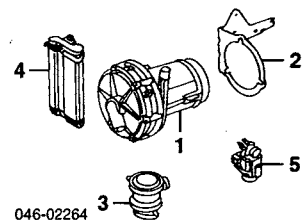
2	Brkt, Air Pump	06A 906 615 D			22.55
3	Hose, Connecting	06A 133 889 F	m	.5	45.15
4	Pipe, Connecting	8L0 133 817	m	.4	27.70
5	Valve, Combination	06A 131 102 A	m	.8	110.35
6	Adapter, Valve	058 131 817	m		25.65
7	Gskt, Uprr Valve	078 131 120 K			2.20
8	Gskt, Side Valve	078 131 120 D			1.80
9	Carister, Vapor	1J0 201 801 J	m	.6	110.30

**1.9L ENG**



1	Carister, Vapor	1J0 201 801 J	m	.5	110.30
2	Cooler, Exhaust Gas	038 131 513	m	1.8	384.75
3	Pipe, Exhaust Cooler	038 131 521 E	m	.6	71.75
4	Pipe, EGR Valve	038 131 521 F	m		92.35
5	Valve, EGR	045 131 501 C	m	.9	172.55
6	Pipe, EGR Valve-Not Applicable				
7	Valve, Change-Over	1J0 906 283 C	m	.7	15.25
8	Converter, Pressure	R 1H0 906 627 A	m	.4	98.15
		L 1H0 906 627	m	.4	118.60
9	Bail, Damper	038 129 807	m		12.60
10	Bracket, Damper	038 103 945 B	m		6.40
11	Hose, Vacuum	N.A.	m		0.00
<i>Out to Fit</i>					
12	Pipe, Connector	06A 133 382 K	m		1.90
13	Plate, Retaining	RL 046 130 405			3.20

**2.0L ENG**



1	Pump, Air	99 06A 959 253	m	.8	336.50
		00-03 06A 959 253 B	m	.8	310.20
2	Brkt, Air Pump	06A 131 085 B	m	.5	34.90
3	Valve, Air Control	06A 131 351	m	.6	78.25
4	Carister, Vapor	1J0 201 801 J	m	.5	110.30
5	Valve, Change-Over	99 191 906 283 A	m	.7	11.30
		00-03 1J0 906 283 B	m	.7	10.50

**2.8L ENG**

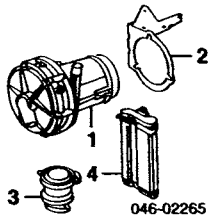
*Illustration Located in Next Column*

1	Pump, Air	021 959 253 C	m	.8	508.00
---	-----------	---------------	---	----	--------

# VW JETTA (NEW STYLE) 1999-03

## EMISSION SYSTEM Cont'd

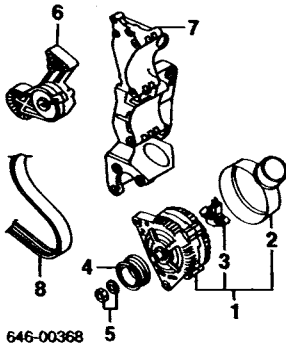
### 2.8L ENG Cont'd



2 Bldg. Air Pump	021 131 085 E	m	.5	40.55
3 Valve, Combination	021 131 101 E	m	.5	113.15
4 Canister, Vapor	1J0 201 801 J	m	.5	110.30

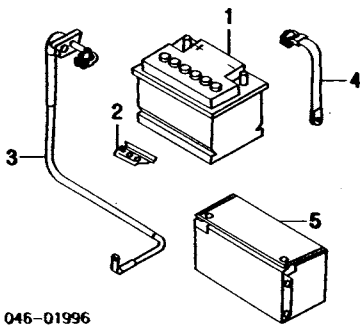
## ELECTRICAL

### ALTERNATOR



1 Alternator Assy (a)				
1.8L, 2.0L Eng	038 903 018 AX	m	.9	R436.05
1.9L Eng	047 903 018 AX	m	1.5	R488.05
2.8L Eng	038 903 018 AX	m	2.4	R436.05
2 Cap, Alternator End (a)	038 903 193 F			11.30
3 Regulator (a)	078 903 803 E	m		96.45
<i>(Included w/Alternator Assy)</i>				
4 Pulley, Alternator (a)	038 903 119 T	m	#2	114.20
<i>(w/Alternator Removed)</i>				
5 Nut, Alt Pulley (a)	028 903 320 C			3.25
<i>(a) Order by Application</i>				
6 Tensioner, Alternator				
1.8L, 2.0L Eng	06A 903 315 E	m	.6	90.60
1.9L Eng	038 903 315 C	m	.6	110.80
2.8L Eng	021 145 259 C	m	.6	124.40
7 Bldg. Comp/Alternator Mtg				
<i>-See A/C Heater/Ventilation Section</i>				
8 Bolt, Drive-Side Cooling Section				

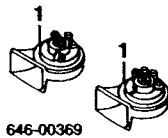
### BATTERY



1 Battery	N.A.			
2 Clamp, Battery	6X0 959 502 A			7.85
<i>Tray, Battery-See Front Inner Structure Section</i>				
3 Cable, Positive				
1.8L, 2.0L Eng	99-01 1J0 971 228 G	.6		32.80
	02-03 1J0 971 228 BG	.6		36.85
1.9L Eng				
Man Trans	1J0 971 228 J	.6		32.80
Auto Trans	1J0 971 228 D	.6		32.80
2.8L Eng				
1999				
To VIN X000115	1J0 971 228 M	.6		22.10
From VIN X000116	1J0 971 228 S	.6		37.60
2000-03	1J0 971 228 S	.6		37.60
4 Cable, Negative	1J0 971 235 AP	.4		42.50

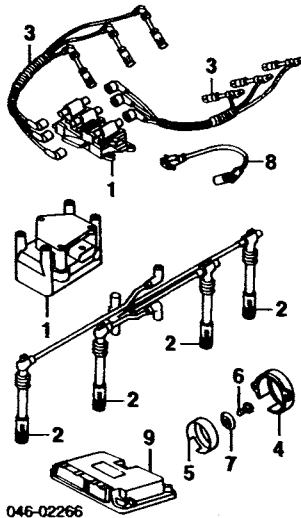
5 Cover, Battery (Order by Application)	1J0 915 418 A			11.75
---	---------------	--	--	-------

### HORN



1 Horn				
High Note	3B0 951 223	.3		71.80
Low Note	3B0 951 221	.3		71.80

### IGNITION

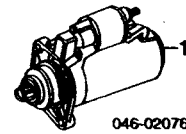


1 Coil, Ignition				
4 Cyl				
1.8L Eng	99-00 068 905 115 E	m	.5	88.70
	01-03 068 905 115 J	m	.5	54.75
2.0L Eng				
Sedan	032 905 106 B	m	.5	129.25
Wagon	06A 905 097	m	.5	169.30
6 Cyl				
1999				
To VIN X700000	021 905 106 B	m	.5	384.75
From VIN X700001	021 905 106 C	m	.5	384.75
2000-03	021 905 106 C	m	.5	384.75
2 Wire, Plug				
4 Cyl				
Sedan				
Cyl 1	99-01 06A 905 430 AF	m	#6	12.95
	02-03 06A 905 430 AK	m	#6	20.70
	99-01 06A 905 430 AC	m	#6	20.45
	02-03 06A 905 430 AL	m	#6	20.70
	99-01 06A 905 430 AD	m	#6	20.45
	02-03 06A 905 430 AE	m	#6	20.70
	99-01 06A 905 430 AE	m	#6	20.45
	02-03 06A 905 430 AN	m	#6	20.70
Wagon				
Cyl 1	06A 905 430 AK	m	#6	20.70
Cyl 2	06A 905 430 AL	m	#6	20.70
Cyl 3	06A 905 430 AM	m	#6	20.70
Cyl 4	06A 905 430 AN	m	#6	20.70
<i>#R&amp;R One or All</i>				
3 Wire, Plug				
6 Cyl				
Cyl 1	021 905 430 DA	m	#6	20.45
Cyl 2	021 905 430 DB	m	#6	20.45
Cyl 3	021 905 430 DC	m	#6	20.45
Cyl 4	021 905 430 DD	m	#6	20.45
Cyl 5	021 905 430 DE	m	#6	20.45
No. 6 Cyl	021 905 430 DF	m	#6	20.45
<i>#R&amp;R One All</i>				
4 Sensor, Hall				
4 Cyl	06A 905 161 B	m		56.60
6 Cyl	06A 905 161 A	m		105.60
5 Rotor, Impulse	06B 905 234 A	m		4.75
6 Screw, Rotor	N 010 242 22			.67
7 Washer, Rotor	078 905 149 A			2.45
8 Sender, Impulse				
4 Cyl	99-01 06A 906 433 C	m	.6	87.15
	02-03 06A 906 433 L	m	.6	87.15
6 Cyl	99-01 038 907 319	m	.5	141.55
	02-03 022 957 147	m	.5	96.45
9 Module, Control (a)				
1.8L Eng	021 906 018 T	m	.8	543.00
1.9L Eng				
Man Trans	038 906 018 EA	m	.8	0695.00
Auto Trans	038 906 018 EB	m	.8	713.00
2.0L Eng	06A 906 018 JD	m	.8	866.00
2.8L Eng				

Man Trans	99 021 906 018 B	m	.8	543.00
	00-01 021 906 018 M	m	.8	543.00
	02-03 06A 906 032 LP	m	.8	447.35
Auto Trans	99 021 906 018 A	m	.8	640.00
	00-01 021 906 018 K	m	.8	543.00
	02-03 021 906 018 AA	m	.8	543.00

*(Order by Application)*

### STARTER

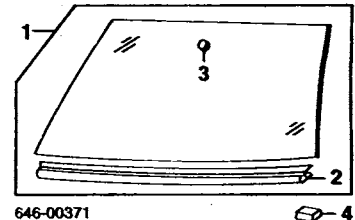


1 Starter				
1.8L Eng				
Man Trans	02A 911 023 L	m	1.3	503.00
Auto Trans	02D 911 023 F	m	1.3	388.35
1.9L Eng				
Man Trans	02A 911 024 D	m	1.5	267.60
Auto Trans	02D 911 023 P	m	1.5	437.05
2.0L Eng				
Man Trans	02A 911 023 L	m	.9	503.00
Auto Trans	02D 911 023 F	m	.9	388.35
2.8L Eng	02A 911 024 E	m	.9	450.20

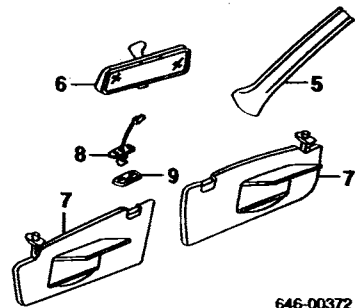
### WINDSHIELD

Use Procedure Explanation 13 with the following list.

R&I Windshield	#2.5
<i>(Includes Clean Up Old Adhesive as Necessary)</i>	



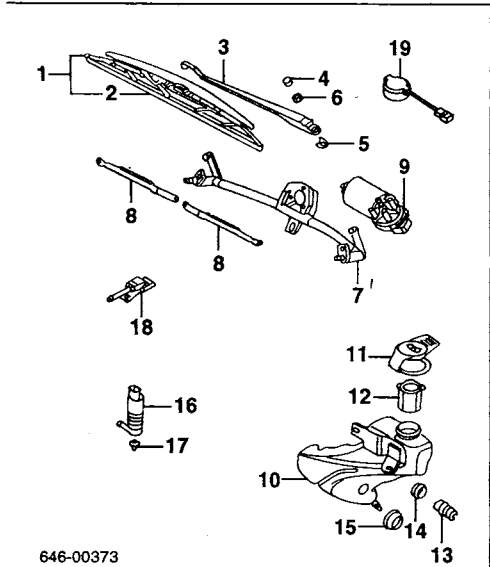
1 Glass Assy, Windshield				
Volkswagen (Tint)				
Sedan				
w/Rain Sensor	1J0 845 011 P	#2.2		277.00
w/o Rain Sensor	99 1J0 845 011 L	#2.2		305.25
	00-03 1J0 845 011 M	#2.2		312.95
Wagon				
Clear	1J0 845 011	#2.2		245.10
Green/Gray	1J0 845 011 B	#2.2		245.10
Green Tint				
w/Shade				
w/Rain Sensor	1J0 845 011 P	#2.2		277.00
w/o Rain Sensor	1J0 845 011 M	#2.2		312.95
w/o Shade	1J0 845 011 L	#2.2		305.25
NAGS				
Green				
w/Rain Sensor	FWD2117GY	#2.2		596.20
w/o Rain Sensor	FWD2115GY	#2.2		515.95
Green/Gray				
w/Rain Sensor	FWD2117GY			718.15
w/o Rain Sensor	FWD2115GY			588.85
<i>(Includes Clean Up Old Adhesive as Necessary)</i>				
2 Moulding, Lower	1J0 853 306			13.05
3 Plate, Rear View Mirror				
w/Rain Sensor	3B0 845 543 A			11.55
w/o Rain Sensor	6N0 845 543			5.05
<i>(Included w/Volkswagen Windshield Glass Assy)</i>				
4 Spacer, Glass	RL 443 845 631 A			1.20



5 Mtdg, Inner Garnish				
Sedan				
Beige	R 1.5 867 234 E 2PK	.3		30.55
	L 1.5 867 233 E 2PK	.3		28.20
Gray	R 1.5 867 234 B 2XP	.3		22.20
	L 1.5 867 233 E 2XP	.3		30.55
Wagon				

Beige	R	1J0 867 352 B	2PK	3	32.20
Gray	R	1J0 867 351 B	2PK	3	32.20
Gray	R	1J0 867 352 B	2XP	3	32.20
Gray	L	1J0 867 351 B	2XP	3	32.20
<b>6 Mirror, Rear View w/Rain Sensor</b>					
Beige		3B0 857 511 J	8YS	2	83.00
Gray		3B0 857 511 J	Y20	2	83.00
<b>w/o Rain Sensor</b>					
Beige		3B0 857 511 G	8YS	2	26.35
Gray		3B0 857 511 G	Y20	2	26.35
<b>Cap, Mirror w/Rain Sensor</b>					
Beige	R	3B0 858 548 A	8YS		4.55
Gray	L	3B0 858 547 A	8YS		4.55
Beige	R	3B0 858 548 A	Y20		4.55
Gray	L	3B0 858 547 A	Y20		4.55
<b>7 Visor, Sun Beige</b>					
Beige	R	3B0 857 552 S	2G5	2	87.45
Gray	L	3B0 857 551 S	2G5	2	87.45
Gray	R	3B0 857 552 AD	2F4	2	87.45
Gray	L	3B0 857 551 S	2F4	2	81.05
<b>8 Bklt, Sun Visor Beige</b>					
Beige	R/L	3B0 857 561 B	8YS		2.50
Gray	R/L	3B0 857 561 B	Y20		2.50
<b>9 Cap, Bklt Beige</b>					
Beige	R/L	3B0 857 563	8YS		1.80
Gray	R/L	3B0 857 563	Y20		1.80

**WIPER SYSTEM**



646-00373

1 Blade Assy, Wiper w/Wear Indicator	R	6N0 955 427 A		.1	12.50
w/o Wear Indicator	L	3A1 955 427		.1	12.50
	R	6N0 955 425 A		.1	20.80
	L	3A1 955 425		.1	16.90
<b>2 Insert, Blade w/Wear Indicator (a) w/o Wear Indicator</b>					
(a) Set of Two	R/L	1J0 998 003		.1	34.10
	R/L	200 955 522		.1	8.45
<i>#Included w/Wiper Blade Assy</i>					
<b>3 Arm, Wiper</b>					
	R	1J1 955 410 A		#2	34.50
	L	1J1 955 409 A		#2	34.50
<i>#Includes R&amp;R/Wiper Blade or Insert</i>					
<b>4 Cap, Wiper Arm</b>					
	R/L	1J0 955 205 A	01C		1.50
<b>5 Washer, Sealing</b>					
	R/L	1J0 955 229			1.10
<b>6 Nut, Wiper Arm</b>					
	R/L	N 900 744 01			.67
<b>7 Frame, Wiper</b>					
		1J1 955 603 B		#7	59.80
<i>#Included in R&amp;R Wiper Motor</i>					
<b>8 Arm, Pivot</b>					
	R/L	1J0 955 325 A			3.70
<b>9 Motor, Wiper</b>					
1999-00		1C0 955 119		.7	135.75
2001		1C0 955 119		.7	135.75
To VIN 1075840		1J1 955 113 C		.7	145.65
From VIN 1075840		1J1 955 113 C		.7	145.65
2002-03		1J1 955 113 C		.7	145.65
2002-03		535 955 121 A			3.20
2002-03		1J1 955 634 A			3.00
<b>10 Reservoir, Washer</b>					
Sedan		1J0 955 453 P		#6	25.65
Wagon		1J0 955 453 P		#6	25.65
2001		1J0 955 453 P		#6	25.65
3.0 Liter Capacity		1J0 955 453 L		#6	40.55
5.5 Liter Capacity		1J0 955 453 L		#6	40.55
w/Level Indicator		1J0 955 453 P		#6	25.65
w/Level Indicator		1J0 955 453 P		#6	25.65
<i>#Includes R&amp;R Switch &amp; Pump</i>					
<b>11 Cap, Reservoir</b>					
		8D0 955 455			3.45
<b>12 Strainer</b>					
		4A0 955 485			1.90
<b>13 Switch, Level</b>					
		7M0 919 376		.6	9.35
<b>14 Seal, Switch</b>					
		7M0 919 382			2.15
<b>15 Grommet, Reservoir</b>					
		171 957 857			1.60
<b>16 Pump, Washer</b>					
		1J5 955 651		.6	29.75
<b>17 Grommet, Pump</b>					
		443 955 465			.38

<b>18 Nozzle, Washer</b>				
Heated	R/L	6E0 955 986	#2	19.65
Non-Heated	R/L	6E0 955 986	#2	2.95
<i>#Included in R&amp;R Hood</i>				
<b>19 Sensor, Rain</b>			1J0 971 411 A	171.40

**COWL & DASH**

Use Procedure Explanations 14 and 28 with the following text.

046-02559

1 Panel, Dash	99-00	1J1 863 911 L		23.95
	01-03	1J1 721 039 T		115.05
2 Panel, Cross		1J0 803 147 G		164.80
3 Frame, Cross Panel		1J0 803 187 B		84.70
4 Cover, Dash Panel		1J0 803 153 A		58.45
5 Weight, Balance	R/L	1J0 802 273 A		30.80

**INSTRUMENT PANEL**

Use Procedure Explanation 14 with the following text.

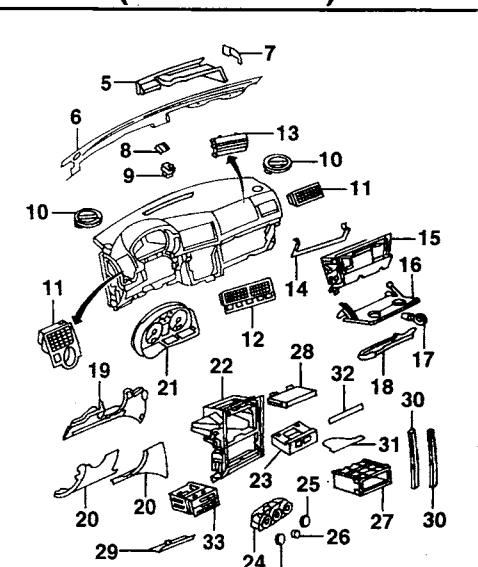
R&I Instrument Panel.....m 4.5

NOTE: All Parts in this section are included in R&R Instrument Panel unless noted otherwise.

646-00374

1 Panel, Instrument		1JM 857 002	23F	m	6.5	370.40
<b>2 Cap, Panel End</b>						
	R	1J1 858 218 A	2AQ		.3	21.10
	L	1J1 857 175	2AQ		.3	28.65
	R	1J1 858 218 A	1QA		.3	28.45
	L	1J1 858 217 B	1QA		.3	28.45
3 Trim, Column Cover		1J0 857 053 A	1QA		#3	23.25
<i>#Instrument Panel Removed, Not Included in R&amp;R Instrument Panel</i>						
<b>4 Reinf, Inst Panel</b>						
		1J1 419 211 L				272.90
		1999-00				116.95
		2001				254.30
		2002-03				254.30
<i>#Order by Application</i>						

Illustration Located in Next Column



Man Trans	1J0 919 951 B	m	.7	296.60
Auto Trans	1J0 919 951 C	m	.7	323.20
Diesel				
Man Trans	1J0 919 951	m	.7	296.60
Auto Trans	1J0 919 951 A	m	.7	323.20

(a) Order by Application

22 Plate, Center Trim w/Side Trim	1J1 858 069 G	01C		.5	80.00
w/o Side Trim	1J1 858 069 H	2AQ		.5	35.75
3B1 907 044 C				.5	432.95
<b>23 Control Unit, Display A/C</b>					
<b>24 Control Unit, Heater w/A/C</b>					
	1J0 820 045 F			.5	78.30
w/o A/C	1J0 819 045 F			.5	41.70
25 Knob, Ctr Control	R/L	1J0 819 129 D	01C		14.80
26 Knob, Inr Control		1J0 819 129 E	01C		14.80
<b>27 Tray, Shelf</b>					
Sedan	1J0 857 058 B	2AQ			30.60
Wagon	1J0 857 058 B	1QA			41.70
28 Holder, Cup	99-00	1J0 858 601			57.95
	01-03	1J0 858 601 D			59.80
<b>29 Cover, Ctr Lower Trim</b>					
Black	1J0 858 035 C	1QA			17.10
Woodgrain	1J0 858 035 A	2WE			83.10
<b>30 Cover, Ctr Side Trim</b>					
Black	R	1J0 853 190 A	2ZS		38.45
	L	1J0 853 189 A	2ZS		38.45
Woodgrain	R	1J0 853 190	2WE		104.60
	L	1J0 853 189	2WE		104.60
		1J0 857 725 B			9.25
<b>31 Plate, Connecting</b>					
<b>32 Cover, Cup Holder Trim</b>					
Black	1J0 858 607	1QA			7.00
Woodgrain	1J0 858 607 A	2WE			42.00
<b>33 Radio/Cassette w/CD Player w/o CD Player</b>					
	1JM 035 157 D			.6	518.00
	1JM 035 157 C			.6	370.00
<i>#Order by Application</i>					

**CENTER CONSOLE**

Use Procedure Explanation 14 with the following text.

R&I Front Center Console..... #1.6

*#Includes R&I Rear Center Console*

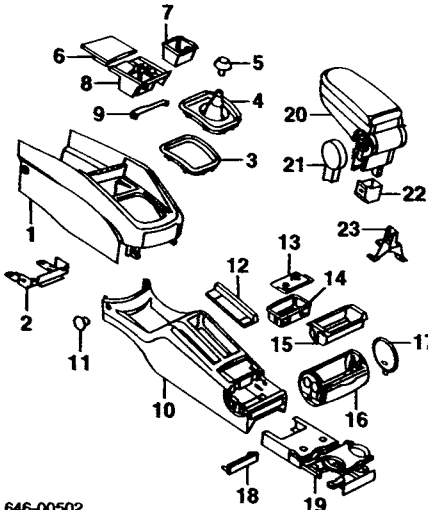
R&I Rear Center Console..... 1.0

Illustration Located in Next Column

<b>1 Console, Front Center</b>					
Beige	1J1 863 201 E	R48		#2.0	50.20
Black	1J1 863 201 E	A94		#2.0	50.20
Gray	1J1 863 201 E	70E		#2.0	50.20
<i>#Includes R&amp;I Rear Center Console</i>					
<b>2 Bklt, Console Retaining</b>					
	1J0 863 531 A				2.70
<b>3 Retainer, Shift Boot</b>					
Man Trans	1J0 863 279	B41			2.05
Auto Trans	1J0 864 220 C				4.50
<b>4 Boot, Shift</b>					
<b>5 Knob, Shift</b>					
Leather	1J0 711 113 A	E74			94.40
Leatherette	1J0 711 113	FEU			37.95
<b>6 Cover, Ashtray</b>					
Black	1J1 857 351 C	1QA			8.00
Platinum/Black	1J1 857 351 B	2ZS			30.70
<i>#Order by Application</i>					
<b>7 Insert, Ashtray</b>					
	1J0 857 311 A	01C			19.95
<b>Insert, Storage Container</b>					
	1J0 857 232 B	300			3.50
<b>8 Ashtray</b>					
Container, Storage w/o Ashtray	1J0 857 961 E	01C			38.25
	1J0 857 979				3.95
<b>9 Bklt, Ashtray</b>					
	1J0 857 979				3.95
<b>10 Console, Rear Center Beige</b>					
	1J0 863 323 P	R48		1.5	37.90

# VW JETTA (NEW STYLE) 1999-03

## CENTER CONSOLE Cont'd



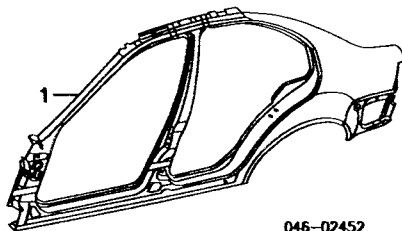
646-00502

	Black	1.0 863 323 P A94	1.5	37.90
	Gray	1.0 863 323 P 7DE	1.5	37.90
11	Cap, Rear Console			
	Beige	1.0 863 276 B 4TE		1.10
	Black	1.0 863 276 B 2QL		1.10
	Gray	1.0 863 276 B 3SG		1.10
12	Cover, Rear Console			
	Beige	1.0 863 328 B Q70		3.35
	Black	1.0 863 328 B B41		3.35
	Gray	1.0 863 328 B U71		1.80
13	Lining, Console Tray			
	Beige	1.0 863 328 C Q70		1.80
	Black	1.0 863 328 C B41		1.80
	Gray	1.0 863 328 C U71		1.80
14	Tray, Rear Console			
	Beige	1.0 858 373 C 4TE		21.55
	Black	1.0 858 373 C 2QL		12.25
	Gray	1.0 858 373 C 7DE		3.25
		1.0 857 335 A 01C		4.05
15	Insert, Rear Ashtray			
16	Ashtray, Rear			
	Beige	1.0 857 962 H R48		25.40
	Black	1.0 857 962 H A94		25.40
	Gray	1.0 857 962 H 7DE		25.40
17	Cover, Ashtray Side			
	Beige	R/L 1.0 863 359 E 4TE		4.10
	Black	R/L 1.0 863 359 E A94		3.35
	Gray	R/L 1.0 863 359 E 3SG		4.10
18	Cover, Rear			
	Beige	1.0 863 289 A R48		1.80
	Black	1.0 863 289 A A94		1.80
	Gray	1.0 863 289 A 7DE		1.80
19	Holder, Cup			40.50
20	Armrest, Rear Console			331.40
		390 864 209 S G.LY		
*Beige listed, Order by Application				
21	Cover, Armrest			
	Beige	R 1.0 864 280 A R48		10.55
		L 1.0 864 279 A 4TE		21.25
	Black	R 1.0 864 280 A 2QL		14.30
		L 1.0 864 279 A 2QL		14.30
	Gray	R 1.0 864 280 A 7DE		10.55
		L 1.0 864 279 A 7DE		10.55
22	Adapter, Armrest			13.30
23	Bracket, Armrest			17.20

## ROCKER/PILLARS/FLOOR

Use Procedure Explanations 14, 15 and 28 with the following text.

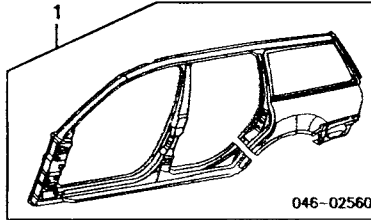
## ROCKER/PILLARS SEDAN



046-02452

1 Panel Assy, Side Body-See Side Body Section

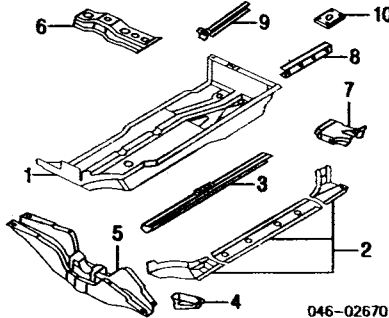
## ROCKER/PILLARS WAGON



046-02560

1 Panel Assy, Side Body-See Side Body Section

## FLOOR

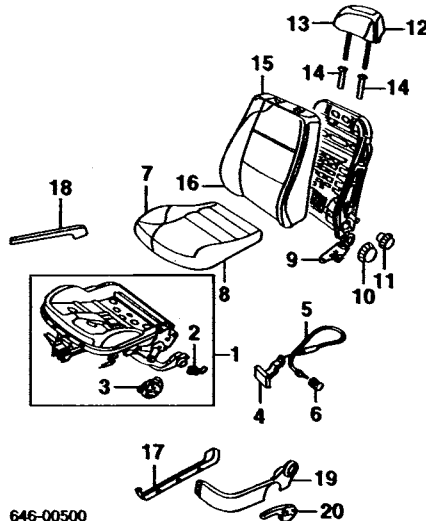


046-02670

1	Pen, Front Floor	R/L 1.0 803 206-5	#8.5	234.55
*Corner Reinft also Required				
**Side Body Panel or Rocker Panel Removed Deduct 1.5				
2	Panel, Floor Pan	R 1.0 802 208 B		62.05
		L 1.0 802 207 B		62.05
3	Plate, Mounting	R 1.0 802 198		16.35
		L 1.0 802 197		15.35
4	Reinft, Corner			
	Sedan	R 1.0 803 080 B		28.70
		L 1.0 803 079 B		28.70
		R 1.0 802 117 B		42.75
5	Crossmember, Front			
6	Support, Seat	R 1.0 803 232 A		75.50
		L 1.0 803 231 A		75.50
7	Brkt, Seat Support	R 1.0 802 182		11.90
		L 1.0 802 181		13.45
8	Channel, Outer Seat	R/L 1.0 802 280-99		5.45
9	Channel, Inner Seat	R/L 1.0 803 252-1		19.45
10	Plate, Floor Pan	R/L 443 803 377 D		4.95

## FRONT SEAT

R&L Front Seat Assy..... R/L 5



646-00500

1	Frame Assy, Seat			
	w/Sport Seats	R/L 1.4 881 108-7	1.2	400.15
	w/o Sport Seats	R 1.4 881 106 GK	1.2	295.25
		L 1.4 881 105 GK	1.2	181.70
*Order by Application				
2	Roller, Seat Guide			
	Passenger Side	99-01 R 1.0 882 240 B		10.20
		L 1.0 882 242		10.20

		02-03 R 1.0 882 240 C		11.25
		L 1.0 882 241 C		10.20
	Driver Side	99-01 R 1.0 882 241 C		10.20
		L 1.0 882 239 C		11.25
		02-03 R 1.0 882 241 C		10.20
		L 1.0 882 239 C		11.25
		R 1.0 881 054 D		69.40
		L 1.0 881 053 D		69.40

3 Adjuster, Height

4 Handle, Fore/Alt Adjust

5 Cable, Fore/Alt Adjust

6 Clip, Cable

7 Cushion, Seat

GL Model

GLS Model

GLX Model

8 Cover, Seat

Cloth

Leather

#R&R One Side Complete, Includes R&R Seat Frame

9 Frame, Backrest

10 Knob, Seat Back

11 Knob, Lumbar Support

12 Cushion, Headrest

13 Headrest

14 Guide, Headrest

Outer

Inner

15 Cushion, Backrest

16 Cover, Backrest

Cloth

Leather

\*Order by Application

Module, Side Air Bag-See Air Bag System Section

#R&R One Side Complete, Includes R&R Backrest Frame

17 Cover, Outer Channel

18 Cover, Inner Channel

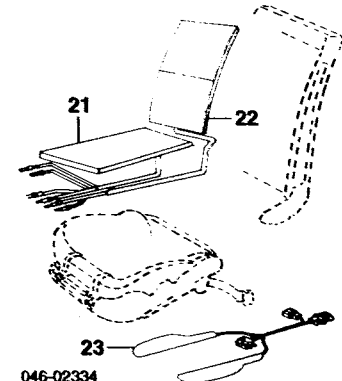
19 Cover, Trim

Outer

Inner

\*Order by Application

20 Handle, Height Adjust



046-02334

21	Element, Seat Heater			
	Cloth	R/L 1.0 963 555 B		67.95
	Leather	R/L 1.0 963 555 D		478.05
22	Element, Backrest Heater			
	Cloth	R/L 1.0 963 557 C		103.45
	Leather	R/L 1.0 963 557 D		478.05
23	Element, Side Heater	R/L 1.0 963 556 B		69.05

## REAR SEAT

R&L Rear Seat (Complete)	5
R&L Rear Cushion	2

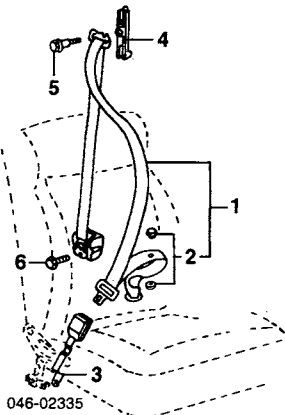
## SEAT BELTS

### FRONT

Illustration Located in Next Column

1	Belt Assy, Seat			
	Beige	R 1.4 857 706 T HCR	.6	136.20
		L 1.4 857 705 T HCR	.6	136.20
	Black	R 1.4 857 706 T HCP	.6	136.20
		L 1.4 857 705 T HCP	.6	136.20
	Gray	R 1.4 857 706 T HCQ	.6	136.20
		L 1.4 857 705 T HCQ	.6	136.20

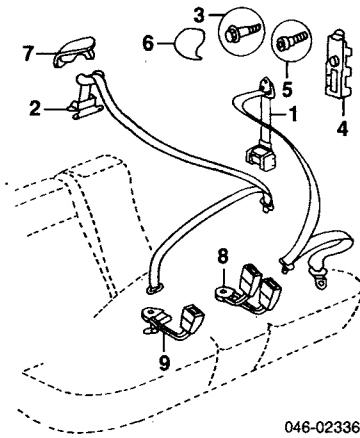
NOTE: All Parts in this section are included in R&R Trim Panel unless noted otherwise.



046-02335

2 Knob, Belt (a) (a) Included w/Seat Belt Assy	RVL 443 857 847 B 4PK		3.35
3 Buckle, Belt Beige	R 1J4 858 472 G FCR	3	73.80
	L 1J4 858 471 G FCR	3	73.80
Black	R 1J4 858 472 G FCN	3	73.80
	L 1J4 858 471 G FCN	3	73.80
Gray	R 1J4 858 472 G FCP	3	73.80
	L 1J4 858 471 A FCP	3	73.80
4 Adjuster, Belt	R 1J0 857 819 C		20.50
	L 1J0 857 819 G		20.50
5 Bolt, Upper Belt	N 989 903 01		4.50
6 Bolt, Lower Belt	111 857 799		2.25
*As Required			

REAR



046-02336

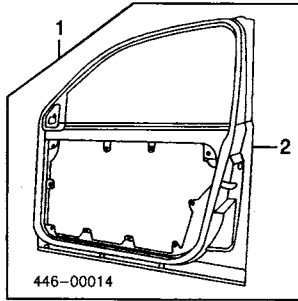
1 Belt, Outer Seat Beige	R 1J5 857 806 C HCR	#4	83.10
	L 1J5 857 805 C HCR	#4	35.90
Black	R 1J5 857 806 C HCP	#4	35.90
	L 1J5 857 805 C HCP	#4	35.90
Gray	R 1J5 857 806 C HCQ	#4	23.00
	L 1J5 857 805 C HCQ	#4	35.90
2 Belt, Center Belt Beige	99-01 1J0 857 807 B HCR	#4	24.55
	02-03 1J0 857 807 D HCR	#4	24.55
Black	99-01 1J0 857 807 B HCP	#4	24.55
	02-03 1J0 857 807 D HCP	#4	24.55
Gray	99-01 1J0 857 807 B HCQ	#4	24.55
	02-03 1J0 857 807 D HCQ	#4	24.55
*w/Rear Seat Removed			
3 Bolt, Upper Belt	RVL N 989 903 01		4.50
4 Adjuster, Outer Belt	RVL 1J0 857 819 C		20.50
5 Bolt, Adjuster	RVL N 014 739 2		.52
6 Cover, Upper Belt	RVL 1J0 858 189 C 8YS		12.25
*Order by Application			
7 Cover, Center Belt Beige	1J0 857 785 C Q70		1.80
Black	1J0 857 785 C B41		1.80
Gray	1J0 857 785 C U71		1.80
8 Buckle, Left Belt Beige	99-01 1J0 857 488 B FCR	#2	46.00
	02-03 1J0 857 488 C FCR	#2	40.25
Black	99-01 1J0 857 488 B FCN	#2	23.55
	02-03 1J0 857 488 C FCN	#2	40.25
Gray	99-01 1J0 857 488 B FCP	#2	33.65
	02-03 1J0 857 488 C FCP	#2	40.25
9 Buckle, Right Belt Beige	1J0 857 495 C FCR	#2	28.55
Black	1J0 857 495 C FCN	#2	28.55
Gray	1J0 857 495 C FCP	#2	28.55
*w/Rear Seat Removed			

FRONT DOOR

Use Procedure Explanations 16 and 28 with the following text.

SHEET METAL

Refinish Door Outside	R/L	2.0
Add for Jambes & Interior	R/L	1.0
Add for Jambes	R/L	.5
R&I Door Assy	R/L	1.0

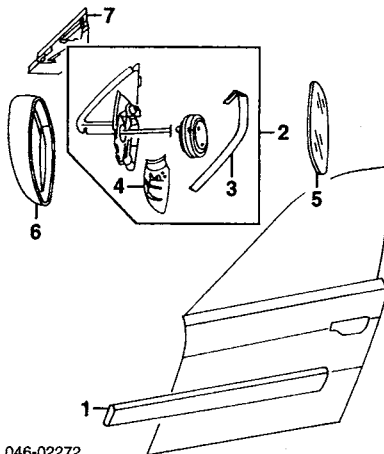


446-00014

1 Shell Assy, Door	R 1J4 831 056 H	#5.0	515.00
	L 1J4 831 055 H	#5.0	515.00
*Includes R&I Mirror			
2 Panel, Door Repair			
Sedan	R 1J4 831 112 D	#7.0	84.10
	L 1J4 831 111 D	#7.0	84.10
Wagon	R/L N.A.	#7.0	0.00
*Included w/Door Shell Assy			
*Includes R&I Mirror & R&R Door Glass			

EXTERIOR TRIM

Refinish Side Moulding	R/L	.5
Refinish Mirror Cap	R/L	.5
R&I Mirror Assy	R/L	#.6
*Includes R&I Trim Panel		

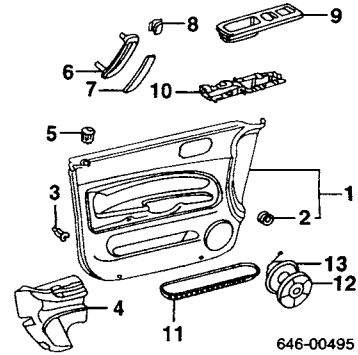


046-02272

1 Moulding, Side (P) Adhesive	R 1J4 853 516 G GRU	2	78.40
	L 1J4 853 515 G GRU	2	78.40
(P) Paint to Match			
2 Housing Assy, Mirror Man Remote Heated	R 1J1 857 508 J 01C	#4	73.25
	L 1J1 857 507 H 01C	#4	73.25
Pwr Remote (Heated) w/Memory	R 1J1 857 508 M 01C	#4	154.30
	L 1J1 857 507 E 01C	#4	154.30
w/o Memory	R 1J1 857 508 K 01C	#4	102.60
	L 1J1 857 507 D 01C	#4	102.60
*w/Trim Panel Removed			
3 Bezel, Mirror Cap	R 3B1 857 602 01C		5.00
	L 3B0 857 601 01C		5.00
4 Trim, Lower Mirror	R 3B1 857 604 01C		5.00
	L 3B0 857 603 01C		5.00
*Included w/Mirror Housing Assy			
5 Glass, Mirror Man Remote	R 3B1 857 522 A	3	35.85
	L 3B1 857 521 A	3	35.85
Pwr Remote	R 1J1 857 522 J	3	21.80
	L 1J1 857 521 D	3	35.85
6 Cap, Mirror (P)	R 3B0 857 538 B GRU		32.60
	L 3B0 857 537 B GRU		32.60
(P) Paint to Match			
7 Seal, Mirror	R/L 1J0 857 934-3		11.85

INTERIOR TRIM

R&I Trim Panel	R/L	.3
----------------	-----	----



646-00495

1 Panel Assy, Trim			
Cloth Insert	R 1J4 867 012 DJ HRX	.6	259.55
	L 1J4 867 011 CR HRX	.6	259.55
Leather Insert	R 1J4 867 012 EV JLT	.6	259.55
	L 1J4 867 011 FJ JLT	.6	259.55
*Order by Application			
2 Clip, Panel (a) (6/Side)	R/L 3B0 868 243		1.50
(a) Included w/Trim Panel Assy			
3 Nut, Speed	R/L 357 827 998		.58
4 Pad, Impact	R 1J4 868 102 D		14.00
	L 1J4 868 101 D		14.00
5 Escutcheon	R/L 3B0 867 109 01C		.52
6 Handle, Grab Beige	R 1J0 867 180 A R48	#.1	10.25
	L 1J0 867 179 A R48	#.1	10.25
Black	R 1J0 867 180 A A94	#.1	8.55
	L 1J0 867 179 A A94	#.1	10.25
Gray	R 1J0 867 180 A 7DE	#.1	10.25
	L 1J0 867 179 A 7DE	#.1	10.25
7 Insert, Grab Handle			
w/Wood Inlay	R 1J0 867 172 B FER	#.1	76.95
	L 1J0 867 171 B FER	#.1	76.95
w/o Wood Inlay	R 1J0 867 172 A R48	#.1	4.30
	L 1J0 867 171 A R48	#.1	4.30
*Order by Application			
#R&R One Side Complete, w/Trim Panel Removed			
8 Clamp, Handle	R/L N 907 468 01		.33
9 Plate, Upper Switch w/Wood Inlay	L 3B1 867 171 F FEQ	.3	76.95
	L 3B1 867 171 E A94	.3	10.25
Switch, Drivers Master	1J4 959 857 B		55.05
Switch, Passenger Window	3B0 959 855 B 01C		33.25
Switch, Power Lock	R 1J0 962 125 A 01C		16.65
Switch, Mirror	L 1J1 959 565 C 01C		29.40
10 Handle, Grab	L 1J1 867 179 A B41		10.25
11 Insert, Storage Box Beige	R 1J0 868 134 B Q70	.2	6.70
	L 1J0 868 133 A Q70	.2	6.70
Black	R 1J0 868 134 B B41	.2	6.15
	L 1J0 868 133 A B41	.2	6.15
Gray	R 1J0 868 134 B U71	.2	6.15
	L 1J0 868 133 A U71	.2	6.15
12 Cover, Speaker Beige	R/L 3B0 868 149 Q70	.1	4.55
Black	R/L 3B0 868 149 B41	.1	4.70
Gray	R/L 3B0 868 149 U71	.1	4.70
13 Speaker, Radio Std Sound System	R/L 1J0 035 411 G	#.2	95.95
Monsoon Sound System	R/L 1C0 035 411 G	#.2	71.80
*Not Included in R&R Trim Panel			
Shield, Moisture - See Glass & Parts Section			
*Serviced w/Window Regulator			

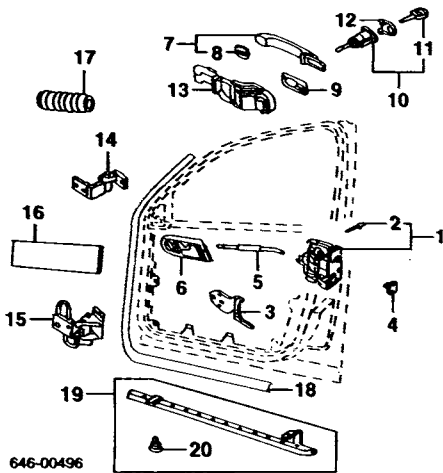
HARDWARE

Refinish Outside Handle	R/L	.4	
Refinish Cylinder Cap	R/L	#.2	
*Included in Refinish Outside Handle			
Refinish Upper Hinge	R/L	.2	
Refinish Lower Hinge	R/L	.2	
R&I Outside Handle	R/L	#.7	
*Includes R&I Trim Panel			
Illustration Located in Next Column			
1 Latch Assy	R 3B1 837 016 BH	#.3	83.15
	L 3B1 837 015 AK	#.3	124.65
*w/Trim Panel & Regulator Removed			
2 Cable, Latch Release	R/L 1J3 837 069 B		13.95
*Included w/Latch Assy			
3 Retainer, Latch	R/L 1J0 837 868-7		2.00
4 Striker	R/L 3B0 837 033 AA	2	9.25
5 Cable, Inside Handle	R/L 1J4 837 085 F		8.20
6 Handle, Inside Man Windows	R 1J0 837 114 N B41		19.45
	L 1J0 837 113 N B41		19.45
Pwr Windows	R 1J1 837 114 G B41		19.45
	L 3B1 837 113 L B41		20.20
7 Handle Assy, Outside (P) (P) Paint to Match	R/L 3B0 837 207 G GRU	#.4	35.90

# VW JETTA (NEW STYLE) 1999-03

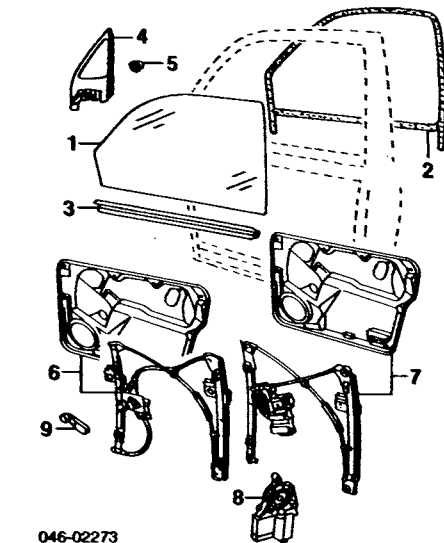
## FRONT DOOR Cont'd

### HARDWARE Cont'd



8 Gskt, Front Handle]	RL 3B0 837 209 A 01C	#.4	.32
*Included w/Outside Handle Assy			
9 Gskt, Rear Handle	RL 3B0 837 211 01C	#.4	1.90
10 Cyl Assy, Lock (a)	R 1J0 837 168 D	#.4	85.25
	L 107 837 168 KD	#.4	85.25
(a) Order by Application			
#R&R One Side Complete, w/Trim Panel Removed			
11 Key]]	3B0 837 219 AK INB		50.95
*Included w/Lock Cylinder Assy			
12 Cap, Cylinder (P)	R 3B4 839 879 A GRU	3.30	
	L 3B0 837 879 A GRU	5.65	
(P) Paint to Match			
13 Support, Outside Handle	R 3B0 837 886 D	25.05	
	L 3B0 837 886 D	25.05	
14 Hinge, Upper	R 1J0 831 402 A	#.3	12.65
	L 1J0 831 401 C	#.3	13.45
15 Hinge, Lower	R 4B0 831 412 B	#.3	57.45
	L 4B0 831 411 B	#.3	62.00
#w/Door Removed			
16 Absorber, Sound]]	RL 3Z3 863 950	15.85	
*Order by Application			
17 Bellows, Door	RL 8D0 959 845 F	3.45	
18 W/Strip, Door Opening	R 1J5 867 366 E FKM	.4	52.30
	L 1J5 867 365 F FKM	.4	52.30
	R 1J5 867 366 E FKL	.4	52.30
	L 1J5 867 365 F FKM	.4	52.30
19 W/Strip Assy, Lower	R 1J4 837 696 B B41	2	44.15
	L 1J4 837 697 B B41	2	44.15
20 Clip]]	RL 3B0 839 723		.52
*Included w/Lower Weatherstrip Assy			

### GLASS & PARTS



1 Glass, Front Door	R 1J4 845 202 G	1.0	47.10
Volkswagen (Tint)			
	L 1J4 845 201 G	1.0	47.10
2 Guide, Outer Window	RL FD20611-2GTN	1.0	461.60
	R 1J4 837 432 A B41	#1.3	42.70

L 1J4 837 431 A B41	#1.3	42.70
#Includes R&R Door Glass		
3 Seat/Moldg, Inner Belt	R 1J4 837 472 B B41	12.85
L 1J4 837 471 B B41		13.40
4 Trim, Inner]]	R 1J0 837 974 Q 01C	38.05
Sid Speaker System		
	L 1J0 837 973 AC 01C	36.75
Monsoon Speaker System		
	R 1J0 837 974 AE 01C	59.80
	L 1J0 837 973 AE 01C	59.75

*Order by Application		
5 Clip (2/Side)	RL 3B0 837 732	1.80
6 Regulator, Main Window	R 1J4 837 730 N	1.2
	L 1J4 837 729 N	1.2
7 Regulator, Pwr Window	R 1J4 837 462 F	#1.4
	L 1J4 837 461 F	#1.4
8 Motor, Regulator	R 1C1 959 802 A 017	#1.4
	L 1C1 959 801 A 01G	#1.4

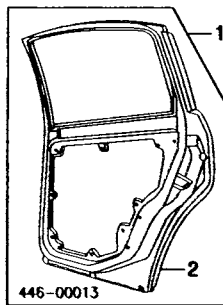
#R&R One Side Complete		
9 Handle, Regulator	RL 1H0 837 581 D 070	9.45
	Black	10.00
	Gray	9.45

## REAR DOOR

Use Procedure Explanations 16 and 28 with the following text.

### SHEET METAL

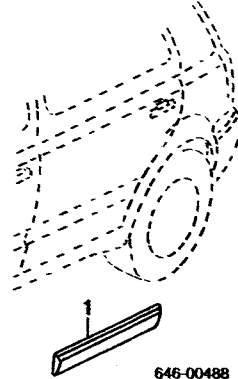
Refinish Door Outside	RL	2.0
Add for Jambos & Interior	RL	1.0
Add for Jambos	RL	.5
R&I Door Assy	RL	.8



1 Shell Assy, Door	R 1J5 833 056 F	4.5	420.65
Sedan	L 1J5 833 055 F	4.5	420.65
Wagon	R 1J9 833 056 E	4.5	419.75
	L 1J9 833 055 E	4.5	419.75
2 Panel, Door Repair]]	R 1J5 833 112 D	#6.0	84.10
Sedan	L 1J5 833 111 D	#6.0	84.10
Wagon	RL N.A.	#6.0	0.00
*Included w/Door Shell Assy			
#Includes R&R Door Glass			

### EXTERIOR TRIM

Refinish Side Moulding	RL	.5
------------------------	----	----

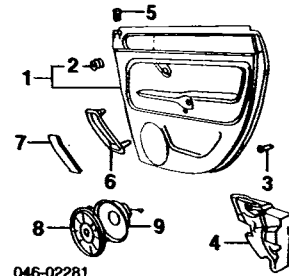


1 Moulding, Side (P)	R 1J4 853 754 B GRU	2	63.05
Adhesive	L 1J4 853 753 B GRU	2	63.05
(P) Paint to Match			

### INTERIOR TRIM

R&I Trim Panel	RL	.3
----------------	----	----

NOTE: All Parts in this section are included in R&R Trim Panel unless noted otherwise.

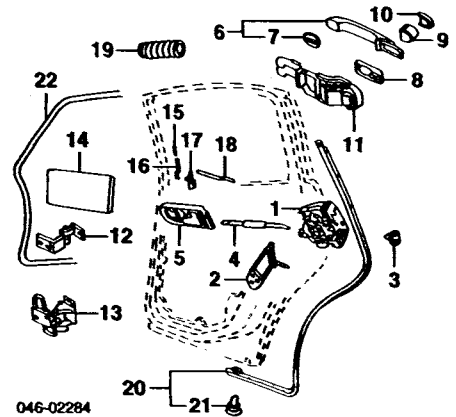


1 Panel Assy, Trim]]	R 1J5 967 212 AF HFZ	.6	209.85
Cloth Insert	L 1J5 967 211 AF HFZ	.6	209.85
Leather Insert	R 1J9 967 212 BG LIX	.6	612.00
	L 1J9 967 211 BG LIX	.6	612.00

*Beige listed, Order by Application			
2 Clip, Panel (a) (6/Side)	RL 3B0 868 243		1.50
(a) Included w/Trim Panel Assy			
3 Nut, Speed	RL 357 827 998		.58
4 Pad, Impact	R 1J4 968 302 A		7.15
	L 1J4 968 301 A		7.15
5 Escutcheon	RL 3B4 867 109 01C		.52
6 Handle, Grab	R 1J4 867 180 A F48	#1	10.25
Beige	L 1J4 867 179 A F48	#1	10.25
Black	R 1J4 867 180 A A94	#1	10.25
Gray	L 1J4 867 179 A A94	#1	10.25
	R 1J4 867 180 A 7DE	#1	10.25
	L 1J4 867 179 A 7DE	#1	10.25
7 Insert, Grab Handle	R 1J0 867 172 B FER	#1	76.95
w/Wood Inlay	L 1J0 867 171 B FER	#1	76.95
w/o Wood Inlay	R 1J0 867 172 A F48	#1	4.30
	L 1J0 867 171 A F48	#1	4.30
#R&R One Side Complete, w/Trim Panel Removed			
Switch, Window	RL 3B0 959 855 B 01C	2	16.25
8 Cover, Speaker]]	RL 3B0 868 149 070	.1	4.55
*Order by Application			
9 Speaker, Radio	RL 1J0 035 411 G	#2	95.95
Sid Sound System	RL 1C0 035 411 E	#2	112.15
*Not Included in R&R Trim Panel			
Shield, Moisture]]-See Glass & Parts Section			
*Serviced w/Window Regulator			

### HARDWARE

Refinish Outside Handle	RL	.4
Refinish Button Cap	RL	#.2
#Included in Refinish Outside Handle		
Refinish Upper Hinge	RL	.2
Refinish Lower Hinge	RL	.2
R&I Outside Handle	RL	#.7
#Includes R&I Trim Panel		

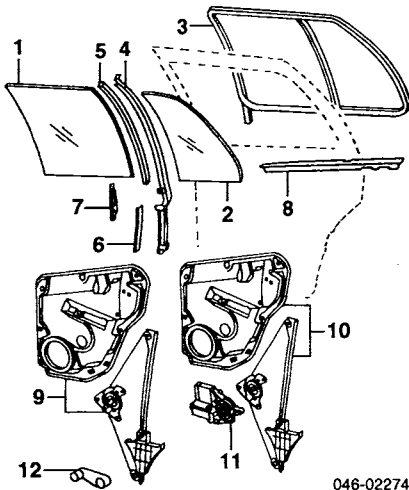


1 Latch	R 3B4 839 016 AE	#.3	120.05
	L 3B4 839 015 AE	#.3	120.05
#w/Trim Panel & Regulator Removed			
2 Retainer, Latch	R 1J4 839 768 B		2.00
	L 1J4 839 767 B		2.00
3 Striker	RL 3B0 837 033 AA		9.25
4 Cable, Inside Handle	R 1J4 839 086 H		7.85
	L 1J4 839 085 J		8.20
5 Handle, Inside	99 R 3B0 839 114 AE B41		44.85
	L 3B0 839 113 AM B41		44.85
	00 R 3B0 839 114 AM B41		43.45
	L 3B0 839 113 AM B41		44.85
	01-02 R 3B0 839 114 BK B41		44.85
	L 3B0 839 113 BK B41		44.85
	03 R 3B0 839 114 AM B41		43.45
	L 3B0 839 113 AM B41		44.85
Pwr Windows	R 1J4 839 114 C B41		46.00
Sid Sound System	R 1J4 839 114 C B41		46.00

# VW JETTA (NEW STYLE) 1999-03

L 1J4 839 113 C B41	44.85
Monsoon Sound System 99-01 R 3B0 839 114 BB 2AQ	118.00
L 3B0 839 113 BB 2AQ	118.00
01-02 R 3B0 839 114 BU B41	44.85
L 3B0 839 113 BU B41	44.85
03 R 3B0 839 114 BB 2AQ	118.00
L 3B0 839 113 BB 2AQ	118.00
6 Handle Assy, Outside	
Black	R/L 3B0 837 207 B 3FZ #4 41.45
Paint to Match	R/L 3B0 837 207 G GRU #4 35.90
7 Gskt, Front Handle	R/L 3B0 837 209 A 01C #4 .92
<i>#Included w/Outside Handle Assy</i>	
8 Gskt, Rear Handle	R/L 3B0 837 211 01C #4 1.90
<i>#R&amp;R One Side Complete, w/Trim Panel Removed</i>	
9 Button, Release	R/L 3B4 839 167 3.90
10 Cap, Button (P)	R/L 3B4 839 879 A GRU 3.30
<i>(P) Paint to Match</i>	
11 Support, Outside Handle	R 3B0 837 886 D 25.05
L 3B0 837 885 D	25.05
12 Hinge, Upper	R 1J0 831 402 A #3 12.65
L 1J0 831 401 C	#3 13.45
13 Hinge, Lower	R 1J4 833 412 C #3 32.10
L 1J4 833 411 C	#3 32.10
<i>#w/Door Removed</i>	
14 Absorber, Sound	R/L 323 863 950 15.85
<i>#Order by Application</i>	
15 Knob, Lock	R/L 3B0 837 187 B 01C 1.20
16 Rod, Lock Knob	R/L 1J4 834 184-3 1.50
17 Pivot, Lock	R/L 3B0 839 833 D 2.75
18 Rod, Latch	R 1J4 839 812 B 1.90
L 1J4 839 811 B	1.90
19 Bellows, Door	R/L 8D0 959 845 E 3.45
20 W/Strip Assy, Otr Door	R 1J5 839 698 B B41 4 59.45
L 1J5 839 697 B B41	4 59.45
21 Clip	R/L 3B0 839 723 .52
<i>#Included w/Outer Door Weatherstrip Assy</i>	
22 W/Strip, Door Opening	
Beige/Black	R 1J5 867 368 G FKM 2 52.30
L 1J5 867 367 G FKM	2 52.30
Gray/Black	R 1J5 867 368 G FKL 2 52.30
L 1J5 867 367 G FKL	2 52.30

## GLASS & PARTS



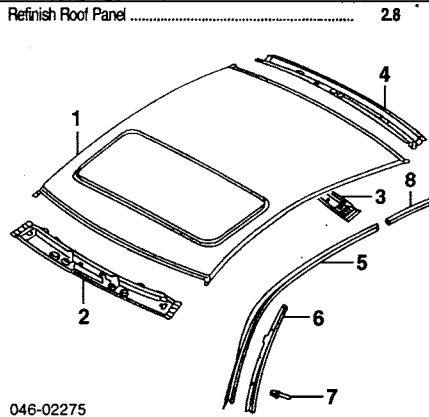
046-02274

1 Glass, Moveable		
Volkswagen (Tint)	R 1J5 845 026 G 1.0 39.90	
L 1J5 845 025 G	1.0 39.90	
NAGS (Green)	R/L FD20613-4GT 1.0 551.55	
2 Glass, Stationary		
Volkswagen (Tint)	R 1J5 845 216 C #1.2 18.35	
L 1J5 845 215 C	#1.2 16.35	
NAGS (Green)	R/L FV20615-6GTN #1.2 323.55	
3 Guide, Outer Window	R 1J5 839 432 C B41 #1.2 81.05	
L 1J5 839 431 C B41	#1.2 81.05	
<i>#R&amp;R Complete, Includes R&amp;R Moveable Glass</i>		
4 Channel, Divider	R 1J5 839 410 A 03C 20.50	
L 1J5 839 409 A 03C	20.50	
5 Guide, Upr Channel-Not Applicable		
6 Guide, Lwr Channel	R/L 1J0 839 434-3 3.00	
7 Insert, Channel	R 1J4 839 416 A 03C 9.65	
L 1J4 839 415 A 03C	9.65	
8 Seal/Mldg, Inner Belt	R 1J5 839 472 D B41 18.00	
L 1J5 839 471 D B41	18.00	
Regulator, Window		
9 Manual	R 1J5 839 730 D 1.2 92.30	
L 1J5 839 729 D	1.2 92.30	
10 Power	R/L 1J5 839 462-1 #1.4 123.40	
11 Motor, Regulator	99-01 R 1J4 959 812 C 013 #1.4 219.80	
L 1J4 959 811 C 013	#1.4 219.80	
02-03 R 1C0 959 812 A 017 #1.4 219.80		
L 1C0 959 811 A 017	#1.4 219.80	
<i>#R&amp;R One Side Complete</i>		
12 Handle, Regulator		
Beige	R/L 1H0 837 581 D Q70 9.45	
Black	R/L 1H0 837 581 D B41 10.00	
Gray	R/L 1H0 837 581 D U71 9.45	

## ROOF

Use Procedure Explanations 17 and 28 with the following text.

### SHEET METAL/EXTERIOR TRIM



046-02275

1 Panel, Roof			
Sedan	1J5 817 101 C 20.0 676.00		
w/Sunroof	1J5 817 111 D 18.5 568.00		
Wagon			
w/Sunroof	1J9 817 101 E 20.0 548.00		
w/o Sunroof	1J9 817 111 F 18.5 513.00		
2 Header, Front	1J0 817 121 A 1.5 65.65		
3 Reinf, Center	1J0 817 117 A 1.0 104.60		
4 Header, Rear			
Sedan	1J5 817 161 A 1.5 59.95		
Wagon	1J9 817 163 C 1.5 57.75		
5 Moulding, Roof			
Sedan	R 1J5 853 706 H B41 .4 41.75		
L 1J5 853 705 H B41	.4 41.75		
Wagon	R 1J9 853 706 F B41 .4 98.95		
L 1J9 853 705 H B41	.4 98.95		
6 Strip, Retainer	R 1J0 854 734 C 7.70		
L 1J0 854 733 C	8.05		
7 Rivet (6/Side)	99-01 R/L N 900 978 02 .58		
02-03 R/L N 907 878 02	.45		
8 Strip, Cover			
Sedan	R 1J5 853 710 C 20.20		
L 1J5 853 709 C	20.20		
Wagon	R 1J9 853 710 C 38.55		
L 1J9 853 709 C	38.55		
9 Antenna, Radio			
Sedan	1J0 035 505 E #3 75.50		
Wagon	1J9 035 550 S #3 47.20		
<i>#w/Headliner Removed</i>			

### INTERIOR TRIM

R&L Headliner			
w/Sunroof	3.8		
w/o Sunroof	3.4		

046-02718

1 Absorber, Sound	1J0 867 811 B 16.90
<i>#As Required</i>	
2 Headliner Assy (a)	
w/Sunroof	
w/Rain Sensor	99-01 1J5 867 501 AA 5PL 3.8 289.10

w/o Rain Sensor	02-03 1J5 867 501 AE 5PL 3.8 218.95
	99-01 1J5 867 501 Q 5PL 3.8 289.10
w/o Sunroof	02-03 1J5 867 501 AH 5PL 3.8 218.95
	1J5 867 501 P 5PL 3.4 218.95
<i>(a) Beige listed, Order by Application</i>	
3 Reinf, Dome Lamp	
w/Sunroof	3B0 867 599 2.15
w/o Sunroof	3B0 867 599 A 1.80
<i>#Included w/Headliner Assy</i>	

### ROOF LUGGAGE RACK WAGON

R&L Luggage Rail	R/L 3
------------------	-------

046-02572

1 Rail, Luggage	R 1J9 860 026 B 03C .3 124.15
L 1J9 860 025 B 03C	.3 124.15
2 Mounting Kit	R/L 1J9 860 565 52.95
3 Cover, Center	R 1J9 860 148 B B41 7.00
L 1J9 860 147 B B41	7.00
4 Cover, End	
Front	R 1J9 860 146 B B41 .1 7.00
L 1J9 860 145 B B41	.1 7.00
Rear	R 1J9 860 150 B B41 .1 8.05
L 1J9 860 149 B B41	.1 8.05

### SUNROOF

#### ROCKWELL GOLDE/MERITOR

R&L Sunroof Assy	#1.5
O/H Sunroof Assy (Includes R&L)	#3.5
<i>#w/Headliner Removed</i>	
<b>NOTE: All Parts in this section are included in overhaul unless noted otherwise.</b>	

046-02378

1 Glass Assy, Sunroof	8D0 877 071 A 1.5 338.50
2 Gasket, Glass	8D0 877 297 D 67.30
<i>#Included w/Sunroof Glass Assy</i>	
3 Cover Assy, Inner Glass	
Beige	8D0 877 255 B 5PL 285.00
Gray	8D0 877 255 B X09 285.00
4 Brlt, Guide	R/L 8D5 877 165 A 3.00
<i>#Included w/Inner Glass Cover Assy</i>	
5 Trim, Upper Cover	R 8D0 877 792 A 01C 1.75
L 8D0 877 791 A 01C	1.75
6 Trim, Lower Cover	R 8D0 877 794 A 01C 2.55
L 8D0 877 793 A 01C	2.55
7 Frame Assy, Sunroof	8D5 877 049 A #3.5 457.15
<i>#w/Headliner Removed</i>	
8 Channel, Rail	8D0 877 633 B 32.05
9 Guide, Front	R/L 8D5 877 484-3 33.60
10 Guide, Sliding	R/L 8D5 877 152-1 41.25
11 Guide, Rear Lock	R/L 8D5 877 482-1 33.60
12 Spacer	R/L 8D5 877 421 1.85
13 Guide/Cable, Rear	R/L 8D5 888 015 70.75
<i>#Included w/Sunroof Frame Assy</i>	
14 Deflector, Air	8D5 877 655 .3 91.25



# VW JETTA (NEW STYLE) 1999-03

## SUNROOF Cont'd

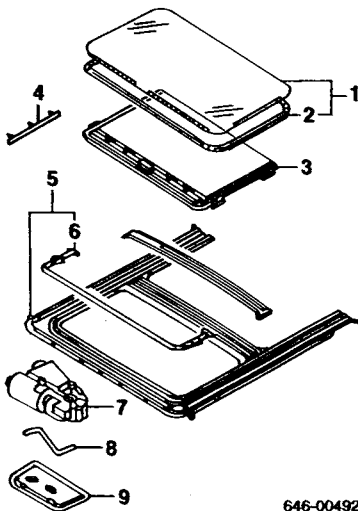
### ROCKWELL GOLDEN/MERITOR Cont'd

15 Mfg Kit, Deflector	805 898 671		17.45
16 Motor, Sunroof	136 959 591	.6	423.65
17 Handle, Emergency	895 877 849		4.95
18 Cover, Motor			
Beige	1J0 877 829 2PK		14.00
Gray	1J0 877 829 A 2XP		14.00

### WEBASTO BRAND

R&I Sunroof Assy	#1.5
O/H Sunroof Assy (Includes R&I)	#3.5
<i>#In Headliner Removed</i>	

NOTE: All Parts in this section are included in overhaul unless noted otherwise.



646-00492

1 Glass Assy, Sunroof	8D9 877 071 A	1.5	456.10
2 Gasket, Glass	8E0 877 297		55.60
<i>#Included w/Sunroof Glass Assy</i>			
3 Cover, Inner Glass			
Beige	8D0 877 255 C 5PL		285.00
Black	8D0 877 255 C X09		285.00
4 Trim, Cover			
Upper	R 8D9 877 792 A 01C		2.55
	L 8D9 877 791 A 01C		2.55
Lower	R 8D9 877 794 01C		2.55
	L 8D9 877 793 01C		2.55
5 Frame Assy, Sunroof	8L0 877 049 A	#3.5	819.00
<i>#In Headliner Removed</i>			
6 Deflector, Air	8D9 877 651 A	.3	91.25
<i>#Included w/Sunroof Frame Assy</i>			
7 Motor, Sunroof	4E0 959 591 E	.6	423.65
8 Handle, Emergency	895 877 849		4.95
9 Cover, Motor			
Beige	1J0 877 829 2PK		14.00
Gray	1J0 877 829 A 2XP		14.00

## BACK WINDOW

Use Procedure Explanation 19 with the following text.

R&I Back Window Glass	#2.3
<i>#Includes Clean Up Old Adhesive as Necessary</i>	



046-02123

1 Glass, Back Window			
Volkswagen (Tint)	1J5 845 051 C	#2.0	293.70
NAGS (Green)	FB20617GY	#2.0	1239.40
<i>#Includes Clean Up Old Adhesive as Necessary</i>			
Activator, Adhesive	D 181 801 A1		8.05

## SIDE BODY

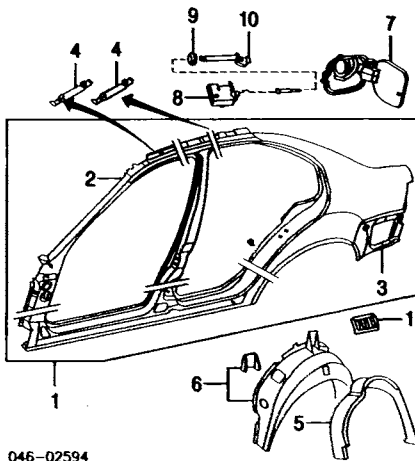
Use Procedure Explanations 14, 15, 20 and 28 with the following text.

### SHEET METAL SEDAN

Refinish Side Body Panel	R/L	5.4
Refinish Front Pillar	R/L	1.0
Refinish Center Pillar	R/L	1.0
Refinish Rocker Panel	R/L	1.6

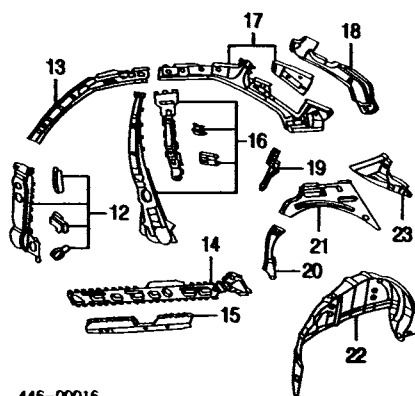
Refinish Quarter Panel Outside	R/L	2.0
Add for Edge	R/L	.5
Add for Pillar	R/L	.5
Refinish Fuel Filler Door		#4
<i>#Included in Refinish Right Side Body Panel &amp; Quarter Panel</i>		
Section Center Pillar	R/L	6.0
Section Rocker Panel	R/L	#8.5
<i>#In Fender &amp; Doors Removed, w/Quarter Panel Removed Deduct 1.5, Deduction Includes Common Surfaces</i>		
R&R Both Quarter Panels		24.7
R&R Roof & Both Quarter Panels		
w/Sunroof		37.5
w/o Sunroof		36.0
R&R Rear Body Panel & Both Quarter Panels		28.7
R&R Roof, Both Quarters & Rear Body Panel		
w/Sunroof		41.5
w/o Sunroof		40.0
Add to R&R Quarter Panel		
To R&I Back Glass		.3

NOTE: For sectioning methods refer to Manufacturer's Body Repair Manual.



046-02594

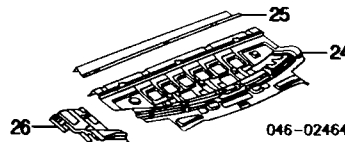
1 Panel Assy, Side Body	R 1J5 809 606 E	s #31.0	239.40
	L 1J5 809 605 E	s #30.5	239.40
<i>#In Fenders, Doors &amp; Windshield Removed, Deduct 6.8 w/Roof Removed, Deduction Includes Common Surfaces &amp; Included Operations</i>			
2 Panel, Front	R 1J4 809 836 A	s 7.5	335.45
	L 1J4 809 835 A	s 7.5	335.45
3 Panel, Outer Quarter	R 1J5 809 844 A	#15.0	383.20
	L 1J5 809 843 A	#14.0	383.20
<i>#Included w/Side Body Panel Assy</i>			
<i>#Deduct 5.0 w/Roof Removed, Deduction Includes Common Surfaces &amp; Included Operations</i>			
4 Plate, Nut (Side)	R/L 1J0 810 767 A		.73
5 Liner, Wheelhouse	R 1J0 810 972 K	.4	28.85
	L 1J0 810 971 E	.4	37.55
6 Wheelhouse, Rear Ctr	R 1J5 809 424 H	4.5	141.35
	L 1J5 809 423 C	4.5	74.80
7 Door, Fuel Filler	R 1J0 809 857 E GRU	.3	40.50
8 Motor, Fuel Door	R 1J0 810 773 B		19.70
9 Seal	R 3B0 810 911 A		1.20
10 Sleeve, Exhaust	R 1J0 810 899		10.00
11 Vent, Air Exhaust	R/L 1H0 819 465 E	#2	34.30
<i>#In Bumper Assy Removed</i>			



446-00016

12 Reinf, Frt Lower Pillar	R/L 1J9 809 204-3	s 1.5	84.85
13 Reinf, Inner Upper	R 1J0 809 436 D	s 1.5	53.85
	L 1J0 809 437 D	s 1.5	52.50
14 Plate, Sidemember	R 1J4 810 600 A	s 2.5	46.10
	L 1J4 810 599 C	s 2.5	43.25
15 Reinf, Inner Rocker	R 1J4 810 608 A	s	21.15
	L 1J4 810 607 A	s	21.15

16 Reinf, Center Pillar	R 1J4 809 220 D	s #4.5	208.25
	L 1J4 809 219 D	s #4.5	208.25
<i>#In Necessary Bolted Parts &amp; Assemblies Removed, Includes R&amp;I Section of Inner Upper Reinforcement &amp; Rear Inner Panel as per Manufacturer Recommended Procedure</i>			
17 Panel, Rear Inner	R 1J5 809 428 C	2.0	69.05
	L 1J5 809 427 B	2.0	67.10
18 Reinf, Rear Pillar	R 1J5 809 264 B	1.5	23.15
	L 1J5 809 263 B	1.5	23.15
19 Reinf, Striker	R/L 1J5 809 612-1		23.95
20 Panel, Inr Lower Side	L 1J0 810 422 A	.5	7.20
	L 1J0 810 421 A	.5	7.75
21 Panel, Inr Upper Side	R 1J5 809 406 A	1.0	114.86
	L 1J5 809 405 B	1.0	114.86
22 Whitew, Rear Inner	R 1J5 803 422 F	2.5	205.20
	L 1J5 803 421 F	2.5	205.20
23 Channel, Water Drain	R 1J5 809 642 D		43.05
	L 1J5 809 641 D		43.05

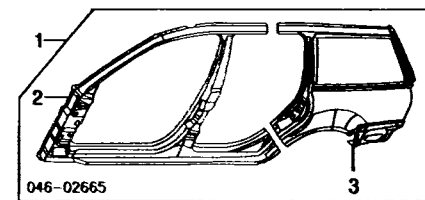


24 Panel, Package Shelf	1J5 813 511 C		171.00
25 Crossmember, Shelf	1J5 813 528 A		42.95
26 Plate, Filler	R 1J5 809 440 E		7.75
	L 1J5 809 439 E		7.75

### SHEET METAL WAGON

Refinish Side Body Assy	R/L	6.0
Refinish Rear Quarter Panel	R/L	2.2
Add to Edge Panel	R/L	.5
Add for Pillar	R/L	.5
Refinish Fuel Door		#4
<i>#Included in Refinish Right Side Body Panel Assy or Right Rear Quarter Section</i>		
Refinish Front Pillar Section	R/L	1.0
Refinish Center Pillar Section	R/L	1.0
Refinish Rocker Panel Section	R/L	1.8
Section Front Pillar	R/L	7.5
Section Center Pillar	R/L	6.0
Section Rocker Panel	R/L	#8.5
<i>#In Fender &amp; Doors Removed, w/Quarter Panel Removed Deduct 1.5, Deduction Includes Common Surfaces</i>		
R&R Both Rear Quarter Panels		28.5
R&R Roof & Both Rear Quarter Panels		
w/Sunroof		42.5
w/o Sunroof		40.0
R&R Rear Body Panel & Both Rear Quarter Panels		34.0
R&R Roof, Both Rear Quarter Panels & Rear Body Panel		
w/Sunroof		47.8
w/o Sunroof		45.5
Add to R&R Quarter Panel		
To R&I Quarter Glass	R/L	.2

NOTE: For sectioning methods refer to Manufacturer's Body Repair Manual.



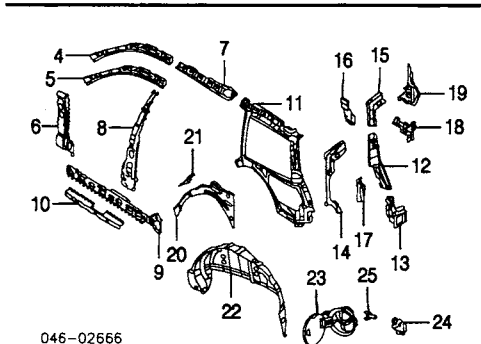
046-02665

1 Panel Assy, Side Body	R 1J9 809 606 G	25.0	471.80
	L 1J9 809 605 G	25.5	471.80
2 Pillar, Front	R/L 1J5 809 836-5	12.0	234.85
3 Panel, Rear Quarter	R 1J9 809 844 A	#15.0	383.20
	L 1J9 809 843 A	#15.0	383.20

*#Included w/Side Body Panel Assy*  
*#Deduct 4.5 w/Roof Removed, Deduction Includes Common Surfaces & Included Operations*

Illustration Located in Next Column

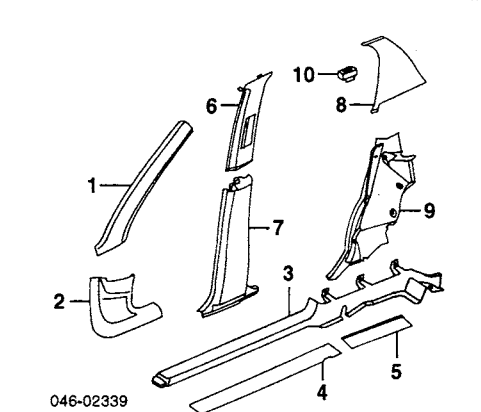
4 Reinf, Upper Inner Pillar	01 R 1J9 809 426 B	s 2.5	69.05
	L 1J9 809 427 B	s 2.5	69.05
	02-03 R/L 1J9 809 040-39	s 2.5	69.05
5 Reinf, Upper Outer Pillar	01 R 1J0 809 436 D	s	53.85
	L 1J0 809 437 D	s	52.50
6 Reinf, Hinge Pillar	01 R/L 1J9 809 204-3	s	84.85
7 Reinf, Pillar/Roof	R/L 1J9 809 430-29	s 1.5	41.90
8 Reinf, Center Pillar	01 R 1J4 809 220 D	s #4.5	208.25
	L 1J4 809 219 D	s #4.5	208.25
<i>#In Necessary Bolted Parts &amp; Assemblies Removed, Includes R&amp;I Section of Inner Upper Reinforcement &amp; Rear Inner Panel as per Manufacturer Recommended Procedure</i>			
9 Reinf, Inner Rocker Pnl	01 R 1J4 810 600 A	s	46.10



046-02666

10	Reinf, Front Sidemember	01 R	L 1J4 810 599 C	s	43.25
			L 1J4 810 608 A	s	21.15
			L 1J4 810 607 A	s	21.15
11	Reinf, Quarter Panel	R	L 1J9 809 406 E	s	165.15
		L	L 1J9 809 405 E	s	165.15
12	Pillar, Rear Upper	R	L 1J9 808 324 C		20.70
		L	L 1J9 808 323 C		20.70
13	Pillar, Rear Lower	R	L 1J9 810 078 A		20.70
		L	L 1J9 810 077 A		20.70
14	Reinf, Rear Pillar	R	L 1J9 809 308 C	s	30.0
		L	L 1J9 809 307 C	s	30.0
15	Extension, Rear Pillar	R/L	L 1J9 810 392-1		52.95
16	Plate, Rear Extension	R/L	L 1J9 809 882-1	6.0	17.30
17	Reinf, Strut	R/L	L 1J9 809 666-5		2.75
18	Reinforcement, Rear Roof	R	L 1J9 810 544 A		17.30
		L	L 1J9 810 543 A		17.30
19	Reinf, C Pillar	R	L 1J9 809 418 A		24.15
		L	L 1J9 809 417 A		24.15
20	Panel, Rear Inner Side	01 R	L 1J0 810 422 A	#2.5	7.20
		L	L 1J0 810 421 A	#2.5	7.75
21	Reinforcement, Rear Striker	01 R	L 1J4 809 612 A	s #3.0	40.55
		L	L 1J4 809 611 A	s #3.0	40.55
<b>#R&amp;R Both One Side 4.5</b>					
22	Wheelhouse, Rear	01 R	L 1J5 803 422 F		205.20
		L	L 1J5 803 421 F		205.20
		02-03 R	L 1J9 803 422 G		283.65
		L	L 1J9 803 421 D		283.65
23	Door, Fuel	R	L 1J0 809 857 E GRU	3	40.50
24	Motor, Fuel Door	R	L 1J0 810 773 B		19.70
25	Sleeve, Guide	R	L 1J0 810 899		10.00

**INTERIOR TRIM SEDAN**



046-02339

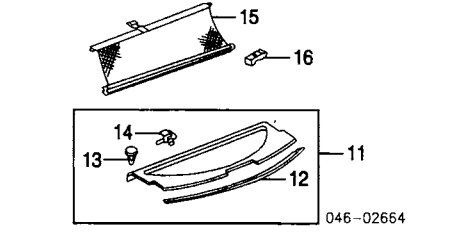
1	Midg, Inner Gamish-See Windshield Section				
2	Trim, Inner Cowl				
	Beige	R	L 1J1 863 484 D Q70	2	4.60
		L	L 1J1 863 483 H Q70	2	4.60
	Black	R	L 1J1 863 484 G B41	2	4.60
		L	L 1J1 863 483 H B41	2	4.60
	Gray	R	L 1J1 863 484 D U71	2	4.60
		L	L 1J1 863 483 E U71	2	5.80
3	Plate, Scuff				
	Beige	R	L 1J4 853 374 G Q70	#3	27.65
		L	L 1J4 853 373 G Q70	#3	27.65
	Black	R	L 1J4 853 374 G B41	#3	26.95
		L	L 1J4 853 373 G B41	#3	27.65
	Gray	R	L 1J4 853 374 G U71	#3	27.65
		L	L 1J4 853 373 G U71	#3	30.65
<b>#w/Center Pillar Lower Trim Removed</b>					
4	Strip, Frt Protective	R/L	L 1J4 853 805 6DA		2.25
5	Strip, Rear Protective	R	L 1J4 853 806 D 6DA		1.75
		L	L 1J4 853 805 D 6DA		1.75
6	Trim, Ctr Pillar Upper				
	Beige	R	L 1J5 867 244 H 2PK	4	22.20
		L	L 1J5 867 243 H 2PK	4	22.20
	Gray	R	L 1J5 867 244 H 2XP	4	22.20
		L	L 1J5 867 243 H 2XP	4	22.20
7	Trim, Ctr Pillar Lower				
	Beige	R	L 1J4 867 298 B Q70	#5	10.25
		L	L 1J4 867 297 B Q70	#5	10.25
	Black	R	L 1J4 867 298 B B41	#5	10.25
		L	L 1J4 867 297 B B41	#5	10.25
	Gray	R	L 1J4 867 298 B U71	#5	10.25
		L	L 1J4 867 297 B U71	#5	10.25

**#Includes R&R Upper Center Pillar Trim**

8	Trim, Upper Quarter				
	Beige	R	L 1J5 867 288 AP 2PK	.3	38.85
		L	L 1J5 867 287 AP 2PK	.3	38.85
	Gray	R	L 1J5 867 288 AP 2XP	.3	38.85
		L	L 1J5 867 287 AP 2XP	.3	38.85
9	Trim, Lower Quarter				
	Beige	R	L 1J5 867 766 D Q70	#3	23.60
		L	L 1J5 867 765 D Q70	#3	23.60
	Black	R	L 1J5 867 766 D B41	#3	23.60
		L	L 1J5 867 765 D B41	#3	23.60
	Gray	R	L 1J5 867 766 D U71	#3	23.60
		L	L 1J5 867 765 D U71	#3	23.60

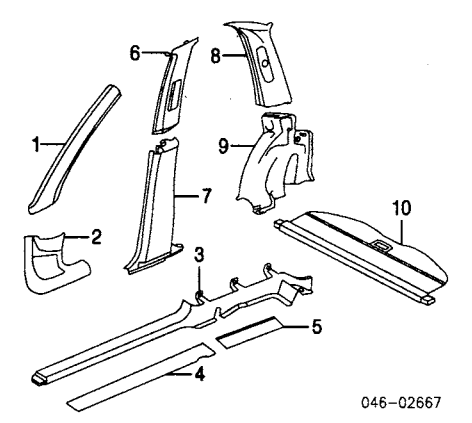
**#w/Rear Seat Assy Removed**

10	Clip, Trim (3/Side)	R/L	6N0 867 276		.82
----	---------------------	-----	-------------	--	-----



11	Shelf Assy, Package				
	Beige	L	L 1J5 863 413 AA 16L	.6	307.80
	Black	L	L 1J5 863 413 AA 14F	.6	307.80
	Gray	L	L 1J5 863 413 AA 15K	.6	307.80
12	Lining, Package Shelf		L 1J5 863 361 A 5VV		8.15
13	Clip (3)		8D0 863 987 A		.67
14	Clamp, Retaining (3)		8D5 863 429		1.20
<b>#Included w/Package Shelf Assy</b>					
15	Shade, Back Glass				
	Beige	L	L 1J5 861 313 5PE		361.55
	Black	L	L 1J5 861 313 9EU		361.55
	Gray	L	L 1J5 861 313 7EJ		361.55
16	Bracket, Shade (3)		L 1J5 861 774		2.00

**INTERIOR TRIM WAGON**



046-02667

1	Midg, Inner Gamish-See Windshield Section				
2	Trim, Inner Cowl				
	Beige	R	L 1J1 863 484 G Q70	2	4.60
		L	L 1J1 863 483 H Q70	2	4.60
	Black	R	L 1J1 863 484 G B41	2	4.60
		L	L 1J1 863 483 H B41	2	4.60
	Gray	R	L 1J1 863 484 G U71	2	4.60
		L	L 1J1 863 483 H U71	2	4.60
3	Plate, Scuff		R 1J4 853 373 G B41	#8	27.65
		L	L 1J4 853 373 F B41	#8	29.90
<b>#Black listed, Order by Application</b>					
<b>#Includes R&amp;R Upper &amp; Lower Center Pillar Trim</b>					
4	Foil, Front	R/L	L 1J4 853 805 6DA		2.25
5	Foil, Rear	R	L 1J4 853 806 D 6DA		1.75
		L	L 1J4 853 805 D 6DA		1.75
6	Trim, Upper Center Pillar				
	Beige	R	L 1J5 867 244 H 2PK	.3	22.20
		L	L 1J5 867 243 H 2PK	.3	22.20
	Gray	R	L 1J5 867 244 H 2XP	.3	22.20
		L	L 1J5 867 243 H 2XP	.3	22.20
	Clip, Pillar	R/L	6N0 867 276		.82
<b>#As Required</b>					
7	Trim, Lower Center Pillar				
	Beige	R	L 1J4 867 298 B Q70	#4	10.25
		L	L 1J4 867 297 B Q70	#4	10.25
	Black	R	L 1J4 867 298 B B41	#4	10.25
		L	L 1J4 867 297 B B41	#4	10.25
	Gray	R	L 1J4 867 298 B U71	#4	10.25
		L	L 1J4 867 297 B U71	#4	10.25
<b>#Includes R&amp;R Rear Upper Pillar Trim</b>					
8	Trim, Lwr Pillar	R/L	L 1J0 867 276 A		.82
8	Trim, Rear Upper Pillar				
	Sedan				
	Beige	R	L 1J5 867 242 B 2PK		54.95
		L	L 1J5 867 241 B 2PK		39.90
	Gray	R	L 1J5 867 242 B 2XP		54.95

	Wagon				
	Beige	R	L 1J5 867 241 B 2XP		39.90
		L	L 1J5 867 241 B 2XP		39.90
	Gray	R	L 1J9 867 288 B 2PK	2	110.45
		L	L 1J9 867 287 B 2PK	2	110.45
	Gray	R	L 1J9 867 288 B 2XP	2	110.45
		L	L 1J9 867 287 B 2XP	2	110.45
9	Trim, Rear Lower Pillar				
	Sedan				
	Beige	R	L 1J5 867 766 D Q70		23.60
		L	L 1J5 867 765 D Q70		23.60
	Black	R	L 1J5 867 766 D B41		23.60
		L	L 1J5 867 765 D B41		23.60
	Gray	R	L 1J5 867 766 D U71		23.60
		L	L 1J5 867 765 D U71		23.60
	Wagon				
	Beige	R	L 1J9 867 766 H Q70	#3	27.65
		L	L 1J9 867 765 H Q70	#3	27.65
	Black	R	L 1J9 867 766 K B41	#3	27.65
		L	L 1J9 867 765 K B41	#3	27.65
	Gray	R	L 1J9 867 766 K U71	#3	26.95
		L	L 1J9 867 765 K U71	#3	26.95
<b>#Order by Application</b>					
<b>#Includes R&amp;R Rear Upper Pillar Trim</b>					
10	Cover, Security				
	Beige		L 1J9 867 871 K 6PD		227.75
	Black		L 1J9 867 871 K 9ET		227.75
	Gray		L 1J9 867 871 K 8LE		245.30

**QUARTER GLASS**

**WAGON**

R&I Quarter Glass..... R/L #2.3

**#Includes Clean Up Old Adhesive as Necessary**

1	Glass, Quarter				
	Volkswagen (Tint)	R	L 1J9 845 298 K	#2.0	110.45
		L	L 1J9 845 297 K	#2.0	110.45
	NAGS (Green)	R/L	FQ21397-8GTY	#2.0	429.90
<b>#Includes Clean Up Old Adhesive as Necessary</b>					
2	Moulding, Lower Glass		R/L N.A.		0.00
3	Moulding, Rear Glass		R/L N.A.		0.00

046-02545

**LUGGAGE LID**

**Use Procedure Explanations 24 and 28 with the following text.**

Refinish Luggage Lid Outside		2.0
Add for Underside		1.0
Refinish Hinge	R/L	.3
R&I Luggage Lid		.8
R&I Lid Inner Trim		.3

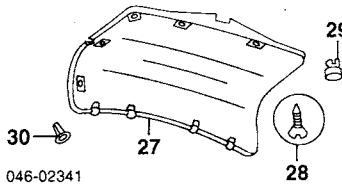
046-02380

1	Lid, Luggage		L 1J5 827 025 T	1.5	385.70
<b>Nameplate (Adhesive)</b>					
	"JETTA"		L 1J5 853 687 A 739	2	8.15
	"VR6"		L 1J0 853 675 C 739	2	8.65
	"TDI"		3B0 853 675 A 739	.2	10.90
	"1.8T"		3B0 853 675 A 739	.2	10.90
3	Housing Assy, Lock Cyl (a)	99-01	107 827 469 FD	#3	112.85
		02-03	L 1J5 827 469 K FCS	#3	112.85
<b>(a) Order by Application</b>					
<b>#w/Lid Inner Trim Removed</b>					
4	Switch, Micro		1JM 962 103		42.80

# VW JETTA (NEW STYLE) 1999-03

## LUGGAGE LID Cont'd

5 Clip	3B0 827 637	1.30	
*Included w/Lock Cylinder Housing Assy			
6 Rod, Pull	1J5 827 516 B	2.50	
7 Hinge, Lid	R 3B5 827 302 A L 3B5 827 301 A	#.4 40.25 #.4 40.25	
*w/Lid Removed, Includes R&R Strut Assy			
8 Strut Assy, Lid	R/L 3B5 827 550 E	2 36.90	
9 Clamp, Strut	R/L 443 823 397	1.40	
*Included w/Lid Strut Assy			
10 Gskt, Hinge	R/L 861 827 365	.73	
11 Handle, Lid	99-01 1J5 827 566 A 02-03 1J5 827 566 B	#.3 23.10 #.3 15.60	
12 Latch, Lid	1J5 827 505 D 01C	#.3 58.50	
*w/Lid Inner Trim Removed			
13 Switch, Alarm System	4A5 959 489 B	28.65	
14 Rod, Handle/Latch	1J5 827 515 C	1.10	
15 Clip, Rod	3B0 827 637	1.30	
16 Striker, Lock	1J5 827 507	2 8.20	
17 Motor, Central Lock	3B0 959 781 C	17.80	
18 Rod, Connecting	3B0 862 247 A	2.15	
19 Bracket, Support	1J5 827 425 E	82.70	
*Lever, Relay-Serviced w/Support Bracket			
21 Spring, Coil-Serviced w/Support Bracket			
22 Lamp Assy, Compartment	3B0 947 415 B	2 13.25	
23 Bulb	N 017 753 2	2 1.30	
*Included w/Compartment Lamp Assy			
24 Bumper, Lid	99-01 R/L 6X0 827 499 A 02-03 R/L 6X0 827 499 A	.1 3.25 .1 3.25	
25 Packing	3B0 827 633 C	2 2.55	
26 Weatherstrip, Lid	1J0 827 705 A	.6 63.05	



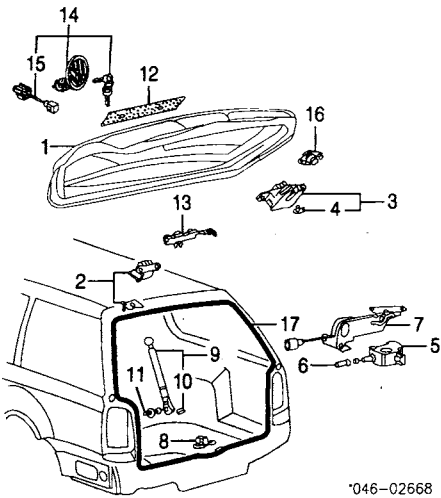
27 Trim, Inner Lid	1J5 867 605 B 8JS	3 36.45
28 Screw, Tapping (8)	N 901 575 01	.82
29 Nut, Speed (8)	1J5 867 613	.58
30 Nut, Expanding (13)	4A0 857 810	.58

## LIFTGATE

Use Procedure Explanations 25 and 28 with the following text.

### SHEET METAL/EXTERIOR TRIM

Refinish Liftgate Outside	2.3
Add for Underside	1.1
Refinish Hinge	R/L 2
R&I Liftgate	.8
Add to R&R Liftgate	
To Transfer Glass	.7

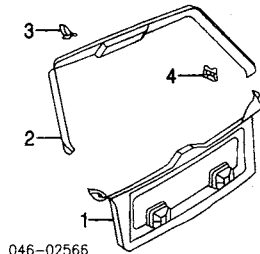


1 Liftgate	1J9 827 025 AD	#4.5 468.20
*Includes R&R Wiper Components		
Emblem (Adhesive)		
*"VW"	1J5 853 601 C 739	2 24.50
Nameplate (Adhesive)		
*"JETTA"	1J5 853 687 A 739	2 8.15
*"2.0"	1E0 853 675 739	2 10.70
*"V6"	1J0 853 675 H GQF	2 17.45
2 Hinge, Lid	R/L 1J9 827 301	#.3 22.15
*w/Liftgate Removed, R&R Both.5		
3 Latch Assy	1J9 827 505 B41	3 41.45
4 Clip, Latch	191 837 199	.33

\*Included w/Latch Assy

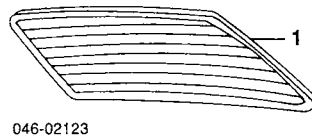
5 Motor, Remote Control	1J9 827 515 B	.38
6 Connector, Remote Control	3B0 959 781 C	17.80
7 Bracket, Remote	3B0 862 247 A	2.15
8 Striker, Rear	1J9 827 567	31.40
9 Strut Assy	1J6 827 517 B	2 20.70
10 Clamp, Strut	R/L 443 823 397	.2 45.75
*Included w/Strut Assy		
11 Pin, Strut (2/Side)	R/L 895 827 439 B	4.95
12 Packing, Moulding	3B0 827 633 C	2.55
13 Handle, Outside	01 1J0 827 566 D	45.35
	02-03 1J0 827 566 E	45.35
14 Housing Assy, Lock Cyl		
Random Code	1J5 827 469 F	.3 115.80
Specific Code	107 827 469 FD	.3 112.85
*Order by Application		
15 Switch, Micro (a)	1J5 962 103	20.70
*(a) Included w/Lock Cylinder Housing Assy		
16 Bumper, Adjuster	R/L 6X0 827 499 A	3.25
17 Weatherstrip, Liftgate	1J0 827 705 A	.4 63.05

## INTERIOR TRIM



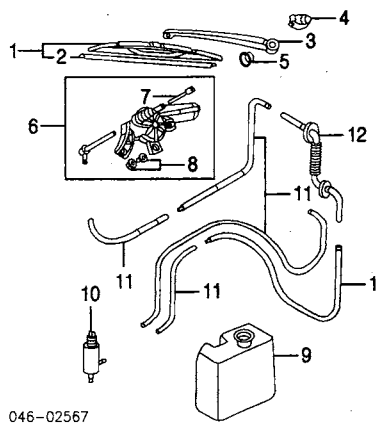
1 Panel, Lwr Liftgate Trim			
Beige	1J9 867 601 K FEH	.3 58.30	
Black	1J9 867 601 K FEE	.3 53.30	
Gray	1J9 867 601 K FEF	.3 58.30	
2 Panel, Upper Liftgate Trim			
Beige	1J9 867 603 C Y50	.2 36.45	
Gray	1J9 867 603 C X30	.2 36.45	
3 Clamp, Retaining (6)	4B0 867 276 A	.52	
4 Clip, Retaining (4)	3B9 867 289	.82	

## GLASS & PARTS



1 Glass, Liftgate			
Volkswagen	1J9 845 051 C	3.0 181.65	
NAGS	FB21399GTY	3.0 675.60	

## WIPER SYSTEM



1 Blade Assy, Wiper	8D9 955 427	.1 7.50
2 Insert, Wiper	200 955 522	.1 8.45
*Included w/Wiper Blade Assy		
3 Arm, Wiper	1J9 955 707	#.2 24.15
*Includes R&R Wiper Blade or Insert		
4 Cap, Wiper Arm	1J6 955 435	1.90
5 Gasket, Wiper Arm	8D9 955 758 A	1.40
6 Motor Assy, Wiper	1J6 955 711 C	1.1 119.70
7 Jet, Spray	3B9 955 985 A	6.15
8 Grommet Set	3B9 998 754	7.90
*Included w/Wiper Motor Assy		
9 Reservoir, Washer-See Windshield Section		

10 Pump, Washer-See Windshield Section		
11 Hose, Washer	N.A.	0.00
*Cut to Fit		
12 Boot, Hose	4B9 971 840	7.95

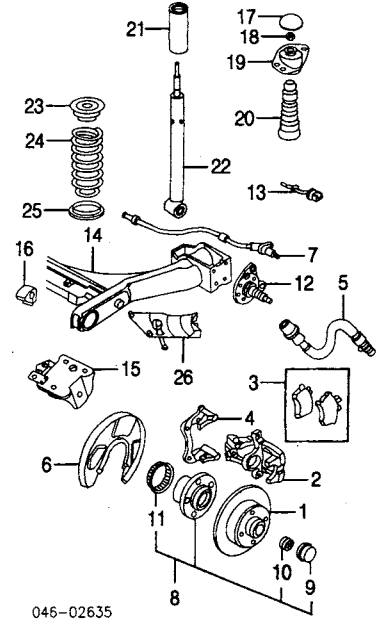
## REAR SUSPENSION

Use Procedure Explanation 23 with the following text.

R&I Suspension/Axle Beam Assy	m 2.0
Check Rear Alignment	m .8
Add to Adjust Front Alignment	m 1.0
Bleed Brake System	m .4

NOTE 1: R&I/R&R Does Not include bleed brake system.

NOTE 2: Refer to Special Cautions Section at the beginning of this vehicle text.



1 Rotor, Brake	R/L 1J0 615 601 C	m #1.1 61.50
*R&R Both Sides 2.0		
2 Caliper, Brake		
1999	R 1J0 615 424 A	m #.5 213.40
	L 1J0 615 423 A	m #.5 213.40
2000		
To VIN Y012499	R 1J0 615 424 A	m #.5 213.40
	L 1J0 615 423 A	m #.5 213.40
From VIN Y012500	R 1J0 615 424 B	m #.5 213.40
	L 1J0 615 423 A	m #.5 213.40
2001-03	R 1J0 615 424 B	m #.5 213.40
	L 1J0 615 423 A	m #.5 213.40
*Includes R&R Caliper Carrier, R&R Both Sides .8, w/Rotor Removed Deduct .3		
3 Pad Set, Brake	1J0 698 451 D	m #1.0 71.75
*Deduct .5 for each Caliper Removed		
4 Carrier, Caliper	R 6Q0 615 426	m .5 80.50
	L 6Q0 615 425	m .5 61.75
5 Hose, Brake	R/L 6X0 611 775	m #.3 10.25
*w/Caliper Removed Deduct .2		
6 Shield, Splash	R 1J0 615 612 D	m #.2 16.35
	L 1J0 615 611 D	m #.2 16.35
*w/Hub Assy Removed		
7 Harness, Rear Sensor-See ABS/Brakes Section		
8 Hub Assy, Rotor	R/L 1J0 598 477	m #1.1 205.20
9 Cap, Nut	R/L 1J0 501 249 C	2.45
10 Nut	R/L N 906 545 01	5.50
11 Rotor, Speed Sensor	R/L 1J0 614 149	m #1.1 17.00
*Included w/Rotor Hub Assy		
*R&R One Side Complete, Includes R&R Rotor, R&R Both Sides 2.0		
12 Axle, Stub	R/L 1J0 501 117 B	m #1.3 95.35
*Includes R&R Rotor, Hub & Splash Shield, R&R Both Sides 2.4		
13 Sensor, Rear Speed-See ABS/Brakes Section		
14 Beam, Rear Axle		
18mm Stabilizer Bar	1J0 500 045	m #4.9 646.00
21mm Dia Stabilizer Bar	1J0 500 045 A	m #4.9 646.00
15 Bkrt, Beam Mounting	R 1J0 501 546 C	m #4.9 18.65
	L 1J0 501 543 D	m #4.9 43.90
16 Bushing, Stabilizer		
18mm Stabilizer Bar	R/L 871 511 423	m #4.9 2.50
21mm Dia Stabilizer Bar	R/L 1J0 511 423	m #4.9 1.90
*R&R Complete, Includes R&R Axle Stubs, Hubs, Rotors & Splash Shields		
17 Cap, Nut	R/L 1J0 512 135 A	6.40
18 Nut	R/L N 104 037 01	1.10
19 Mount, Shock	99-00 R/L 1J0 513 353 C	m #.8 15.95
	01-03 R/L 1J0 513 353 C	m #.8 21.50
20 Stop, Rubber	R/L 1J0 512 131 B	m #.8 23.60
21 Tube, Protective	R/L 1J0 513 425 A	m #.8 4.35
22 Absorber, Shock		
Sedan		

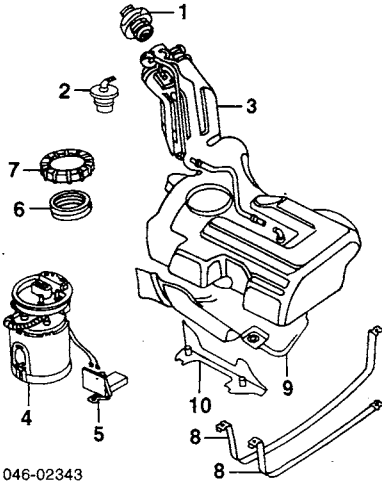
w/Sport Susp	R/L	1J0 513 025 BS	m	#.8	125.40
w/o Sport Susp	R/L	1J0 513 025 BG	m	#.8	97.45
Wagon					
w/Sport Susp	R/L	1J9 513 025 E	m	#.8	124.40
w/o Sport Susp	R/L	1J9 513 025 A	m	#.8	115.05
23 Seat, Upper Spring	R/L	1J0 512 149 B	m	#.8	6.35
24 Spring, Coil	R/L	1J0 511 115 AM	m	#.8	87.90
25 Seat, Lower Spring	R/L	1J0 512 109	m	#.8	3.25
26 Shield, Rear Axle	R	1J0 511 534 A	m	#.8	10.80
	L	1J0 511 533 A	m	#.8	10.80

#R&R One Side Complete, R&R Both Sides 1.4, w/Rear Axle Beam Removed Deduct .5

**FUEL TANK**

R&I Fuel Tank..... 1.4

NOTE: R&I/R&R Does Not include drain and refill.



046-02343

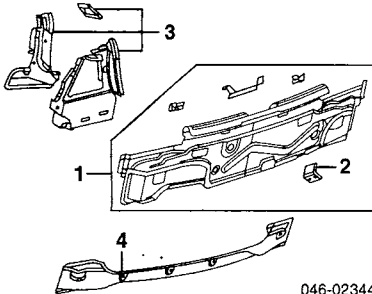
1 Cap, Filler		1J0 201 550 F			14.35
Sedan		1J0 201 550 J			25.60
Wagon		1J0 201 752			8.15
2 Valve, Rolllover		1J0 201 752			8.15
3 Tank, Fuel					
Gas		1J0 201 060 CM	m	1.6	336.50
Diesel		1J0 201 060 BG	m	1.6	336.50
4 Module, Fuel Pump					
Gas		1J0 919 087 J	m	#1.0	333.45
Diesel		1J0 919 183 H	m	#1.0	55.95
5 Sensor, Fuel Gauge					
Gas		8L0 919 673 E	m	#1.0	76.25
Diesel		1J0 919 673 G	m	#1.0	14.80
#Included in R&R Fuel Tank					
6 Seal, Sending Unit		1J0 919 133			8.05
7 Nut, Sending Unit		321 201 375 A			9.75
8 Strap, Fuel Tank Mtg]]		99-01 R 1J0 201 654 D			11.95
		L 1J0 201 653 E			21.80
		02-03 R 1J0 201 656 E			23.15
		L 1J0 201 655 F			22.25
]]Order by Application					
9 Shield, Fuel Tank		1J0 201 307 G			35.90
10 Support, Fuel Tank		1J0 201 429 A			18.30

**REAR BODY**

Use Procedure Explanations 26 and 28 with the following text.

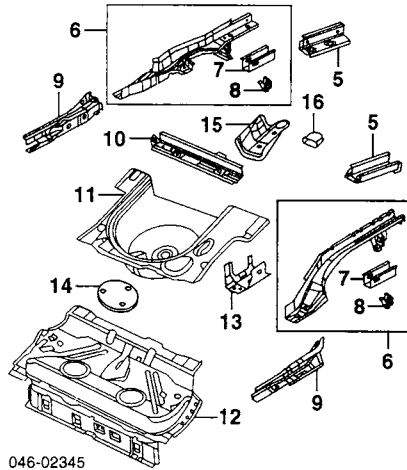
**SHEET METAL SEDAN**

Refinish Rear Body Panels Outside Complete.....	#1.8
#Includes Center Rear Panel, Tail Lamp Panels & Upper Rear Panel	
Add for Edge & Inside .....	.8
Refinish Center Rear Panel.....	1.0
Refinish Tail Lamp Panel.....	R/L .5
Refinish Upper Rear Panel.....	1.0
Refinish Rear Floor Pan.....	1.2



046-02344

1 Panel Assy, Ctr Rear	1J5 813 301 C	#10.0	61.55
#Includes R&R Upper Rear Panel			
2 Brkt, Bumper]]	1J0 813 743		3.10
]]Included w/Center Rear Panel Assy			
3 Panel, Tail Lamp	R 1J5 813 320 F	#3.5	59.20
	L 1J5 813 319 F	#3.5	59.20
#w/Center Rear Panel Removed Deduct 1.0, w/Quarter Panel or Side Body Panel Removed Deduct 1.0			
4 Panel, Upper Rear	1J5 813 309	#4.5	28.20
#w/Bolted Parts & Assemblies Removed, Included in R&R Center Rear Panel Assembly			

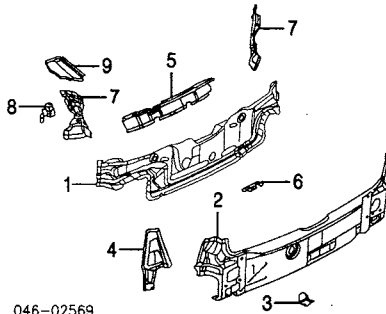


046-02345

5 Plate, Connecting	R 1J5 803 512		26.60
	L 1J5 803 511 A		23.35
6 Sidemember Assy	99-01 R 1J5 803 502 J	s #7.5	233.60
	L 1J5 803 501 A	s #7.5	233.60
	02-03 R 1J6 803 502 G	s #7.5	194.95
	L 1J5 803 501 A	s #7.5	233.60
#w/Rear Floor Pan Removed Deduct 3.5			
7 Plate, Sidemember]]	R/L 1J0 803 404-3	s 2.5	112.85
8 Brkt, Mounting]]	R 1J0 803 216 A		11.70
	L 1J0 803 215 A		11.70
]]Included w/Sidemember Assy			
Plate, Member Cover	R/L 1J0 804 536-5		6.45
9 Sidemember, Front	R 1J0 813 120 B	s 4.5	17.10
	L 1J0 813 119 B	s 4.5	17.10
10 Crossmember, Rear	1J0 803 531	2.0	68.70
11 Pan, Rear Floor	1J5 813 114	#12.5	188.80
#w/Rear Center Panel Removed			
12 Pan, Floor	1J5 813 111 D		130.20
13 Brkt, Exhaust	1J0 803 545		12.40
14 Cover, Access	1J0 803 959		8.15
15 Eye, Towing	1J0 803 616		23.35
16 Cap, Towing Eye	1J0 803 663 B41		1.10

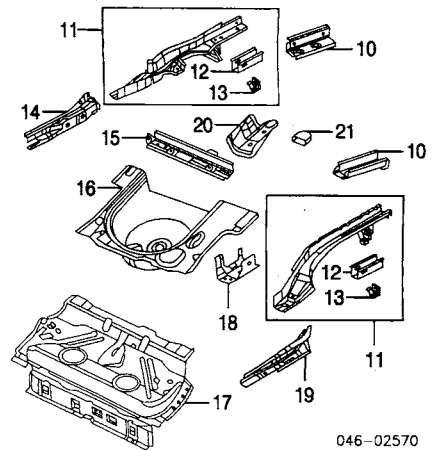
**SHEET METAL WAGON**

Refinish Rear Panel..... 1.5



046-02569

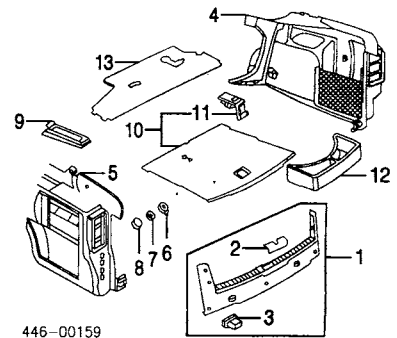
1 Plate, End	1J9 813 305 C	#8.5	69.05
2 Panel, Rear	1J9 813 309 D	#8.5	59.20
#R&R Complete, Deduct 1.5 for Each Quarter Panel Removed, Deduction Includes Common Surfaces & Included Operations			
3 Bracket, Bumper	R 1J0 813 743		3.10
	L 1J9 813 389		.92
4 Plate, Comb Lamp Mounting	R 1J9 813 328 A	1.5	31.75
	L 1J9 813 327 A	1.5	31.75
5 Support, Spare Tire	1J9 803 692 B		13.80
6 Reinforcement, Lock Carrier	1J9 813 323 B		13.80
7 Plate, End	R/L 1J9 813 362-1		20.70
8 Reinforcement, Tie-Down	R/L 1J9 809 808-7		3.25
9 Plate, Connecting	R/L 1J9 813 228-7		24.55



046-02570

10 Plate, Connecting	R 1J5 803 512		26.60
	L 1J5 803 511 A		23.35
11 Sidemember Assy	R 1J6 803 502 G	s #7.5	194.95
	L 8L0 803 501	s #7.5	194.95
#w/Rear Floor Pan Removed Deduct 3.5			
12 Plate, Sidemember]]	R/L 1J0 803 404-3	s 2.5	112.85
13 Brkt, Mounting]]	R 1J0 803 216 A		11.70
	L 1J0 803 215 A		11.70
]]Included w/Sidemember Assy			
Plate, Member Cover	R/L 1J0 804 536-5		6.45
14 Sidemember, Front	R 1J0 813 120 B	s 4.5	17.10
	L 1J0 813 119 B	s 4.5	17.10
15 Crossmember, Rear	1J0 803 531	2.0	68.70
16 Pan, Rear Floor	1J9 813 114 B	#12.5	221.70
#w/Rear Panel & End Plate Removed			
17 Pan, Floor	1J9 813 111 F		160.05
18 Brkt, Exhaust	R 1J0 813 120 B		12.40
19 Cover, Access	1J0 803 959		8.15
20 Eye, Towing	1J6 803 616		23.35
21 Cap, Towing Eye	1J0 803 663 B41		1.10
Mounting, Tow Hook	1J5 804 431 A		59.80

**INTERIOR TRIM SEDAN**



446-00159

1 Trim Assy, Rear Panel	1J5 863 459 N B41	.3	85.25
2 Bezel, Rear Panel]]	1J5 863 651 D		32.00
3 Clip]](6)	357 867 646		.67
]]Included w/Rear Panel Trim Assy			
4 Trim, Lwr Right Side	1J5 867 428 N 8JS	.4	92.30
5 Trim, Lwr Left Side	99-01 1JM 867 427 A 8JS	.4	92.30
	02-03 1JM 867 427 C 8JS	.4	92.30
6 Latch, Trim	1J0 867 467 A B41		2.05
7 Washer	1J0 867 921 B41		1.50
8 Button	1J0 867 468 B41		2.05
9 Cover, CD Changer	1J5 867 140 A B41		3.45
10 Lining Assy, Trunk-See Wheel Section			
11 Plate, Handle]]-See Wheel Section			
]]Included w/Trunk Lining Assy			
12 Insert, Floor	1J5 863 513 C		24.65
13 Lining, Front Trunk	1J5 863 946 C 8JS		17.30

**INTERIOR TRIM WAGON**

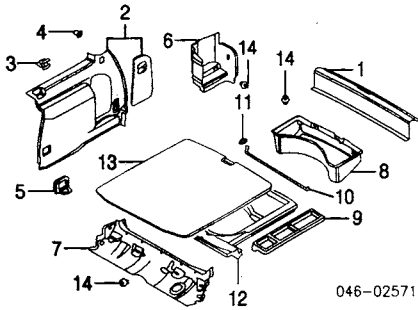
Illustration Located in Next Column

1 Trim, Rear Panel	1J9 863 459 D	.2	115.05
2 Trim, Side			
Beige	R 1J9 867 424 AA KKW	.3	59.80
	L 1J9 867 423 CC KKW	.3	59.80
Black	R 1J9 867 424 AA KKV	.3	59.80
	L 1J9 867 423 BK FEE	.3	55.25

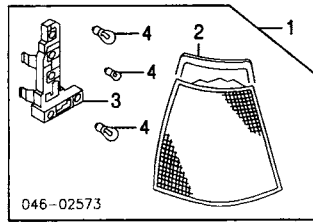
# VW JETTA (NEW STYLE) 1999-03

## REAR BODY Cont'd

### INTERIOR TRIM WAGON Cont'd

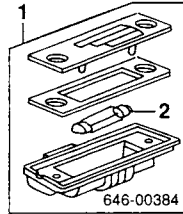


Gray	R 1J9 867 424 T FEF	.3	59.80
	L 1J9 867 423 CC KKV	.3	59.80
3 Clamp, Retainer†	R/L 1J9 867 981		.58
4 Grommet, Panel†	R/L 3E0 867 334		.82
†As Required			
5 Hook, Tie (2/Side)			
Beige	R/L 1J0 864 203 B Q70		16.90
Black	R/L 1J0 864 203 B B41		11.50
Gray	R/L 1J0 864 203 B U71		16.90
6 Storage, Side	R 1J9 867 871 K 6PD		227.75
	L 1J9 867 705 B41		19.30
7 Liner, Trunk			
Beige	1J9 863 946 C 52C		52.95
Black	1J9 863 946 C 51A		52.95
Gray	1J9 863 946 C 53E		52.95
8 Storage, Rear	1J9 863 513 B41		24.65
9 Storage, Lower	L 1J9 858 857 B41		31.80
10 Support, Storage	1J9 827 779 D		5.80
11 Retainer, Support	171 823 395		1.90
12 Storage, Floor			
Beige	1J9 858 856 C HHJ		193.15
Black	1J9 858 856 C B41		188.25
Gray	1J9 858 856 C HHH		193.15
13 Liner, Floor			
Beige	1J9 858 855 E 9PL		415.00
Black	1J9 858 855 E 5EY		425.80
14 Clip, Trim†			
Beige	701 867 299 Q70		.73
Black	701 867 299 01C		.92
Gray	701 867 299 U71		.92
†As Required			



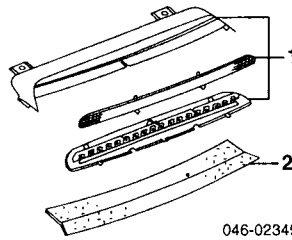
#R&R Both One Side Complete

### LICENSE LAMP



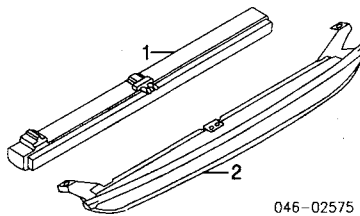
1 Lamp Assy, License	R/L 1J5 943 021	.2	7.15
2 Bulb†	R/L N 017 725 2	.2	1.90
†Included w/License Lamp Assy			

### HIGH MOUNT STOP LAMP SEDAN



1 Lamp, Stop	1J5 945 121 C	.2	54.35
2 Trim, Lamp			
Beige	1J5 945 135 C Q70		16.40
Black	1J5 945 135 C B41		13.30
Gray	1J5 945 135 C U71		16.40

### HIGH MOUNT STOP LAMP WAGON



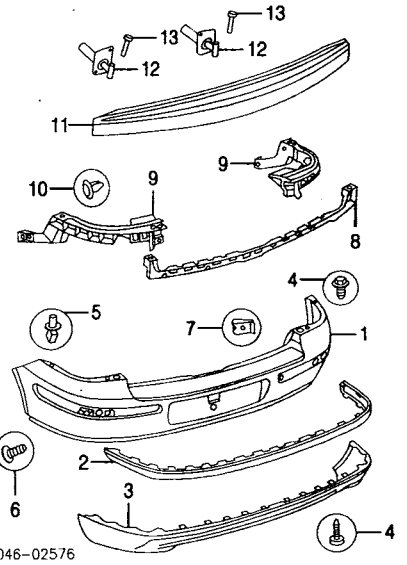
1 Lamp, Stop	1J6 945 131 C	#.2	36.90
2 Housing, Lamp	1J6 945 121	#.2	16.40
#R&R Complete			

### REAR BUMPER

Use Procedure Explanations 27 and 28 with the following text.

Refinish Bumper Cover	2.0
Refinish Cover Moulding	.8
Refinish Rear Spoiler	1.0
R&I Bumper Assy	#1,4
O/H Bumper Assy (Includes R&I)	#2.0
#Includes R&I/R&R Combination Lamps	
2003	

NOTE: All Parts in this section are included in overhaul unless noted otherwise.

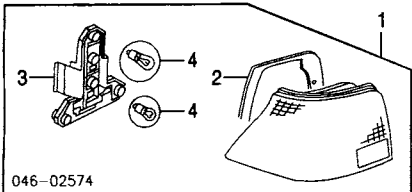


1 Cover, Bumper (P)			
Sedan	1J5 807 417 B GRU	#1.8	264.75
Wagon	1J9 807 417 GRU	#1.8	264.75
#Includes R&I/R&R Combination Lamps			
2 Moulding, Cover (P)	1J5 807 423 A GRU	.3	65.00
(P) Paint to Match			
3 Spoiler	1J5 807 521 A B41	.8	55.40
4 Bolt, Shoulder (8)	6N0 807 199		1.40
5 Clip, Cover	R/L 161 867 299 01C		.73
6 Bolt, Cover (6)	N 907 750 01		.38
7 Nut (3/Side)	R/L N 015 439 1		.58
8 Support, Center	1J5 807 861 B		15.35
9 Guide, Support	R/L 1J5 807 394-3	#.2	6.55
#w/Bumper Removed, Not Included in O/H			
10 Nut, Expansion (5/Side)	R/L N 908 214 01		.58
11 Bar, Reinforcement			
Sedan	1J0 807 311 A	10H	61.55
Wagon	1J5 807 305	10H	364.35
12 Absorber, Impact			
Sedan	R 1J5 807 336 A	#.3	76.95
Wagon	L 1J5 807 335 A	#.3	76.95
Wagon	R/L N.A.	#.3	0.00
#w/Bumper Assy Removed, Not Included in O/H			
13 Bolt, Mtg	R/L N 101 410 01		3.10

### REAR LAMPS

#### COMBINATION LAMP SEDAN

R&I Combination Lamp Assy ..... R/L .4



1 Lamp Assy, Combination	R 1J5 945 112 S	.4	51.30
	L 1J5 945 111 S	.4	51.30
2 Gasket, Mtg†	R/L 1J5 945 191		5.45
3 Holder, Bulb†	R/L 1J5 945 257		16.30
4 Bulb†			
Back-Up/Signal/Stop	R/L N 017 732 2	#.2	1.70
Tail	R/L N 017 718 5	#.2	1.50
†Included w/Combination Lamp Assy			
#R&R One Side Complete			

#### COMBINATION LAMP WAGON

R&I Combination Lamp Assy ..... R/L .4

Illustration Located in Next Column

1 Lamp Assy, Combination	R 1J9 945 096 R	.4	94.40
	L 1J9 945 095 R	.4	94.40
2 Gasket, Mtg†	R/L 1J9 945 191		8.05
3 Holder, Bulb†	R/L 1J9 945 258-7		17.30
4 Bulb†			
Back-Up/Signal/Stop (2/Side)	R/L N 017 732 2	#.2	1.70
Tail	R/L 900 631 104 90	#.2	d1.60
†Included w/Combination Lamp Assy			