

## Product info

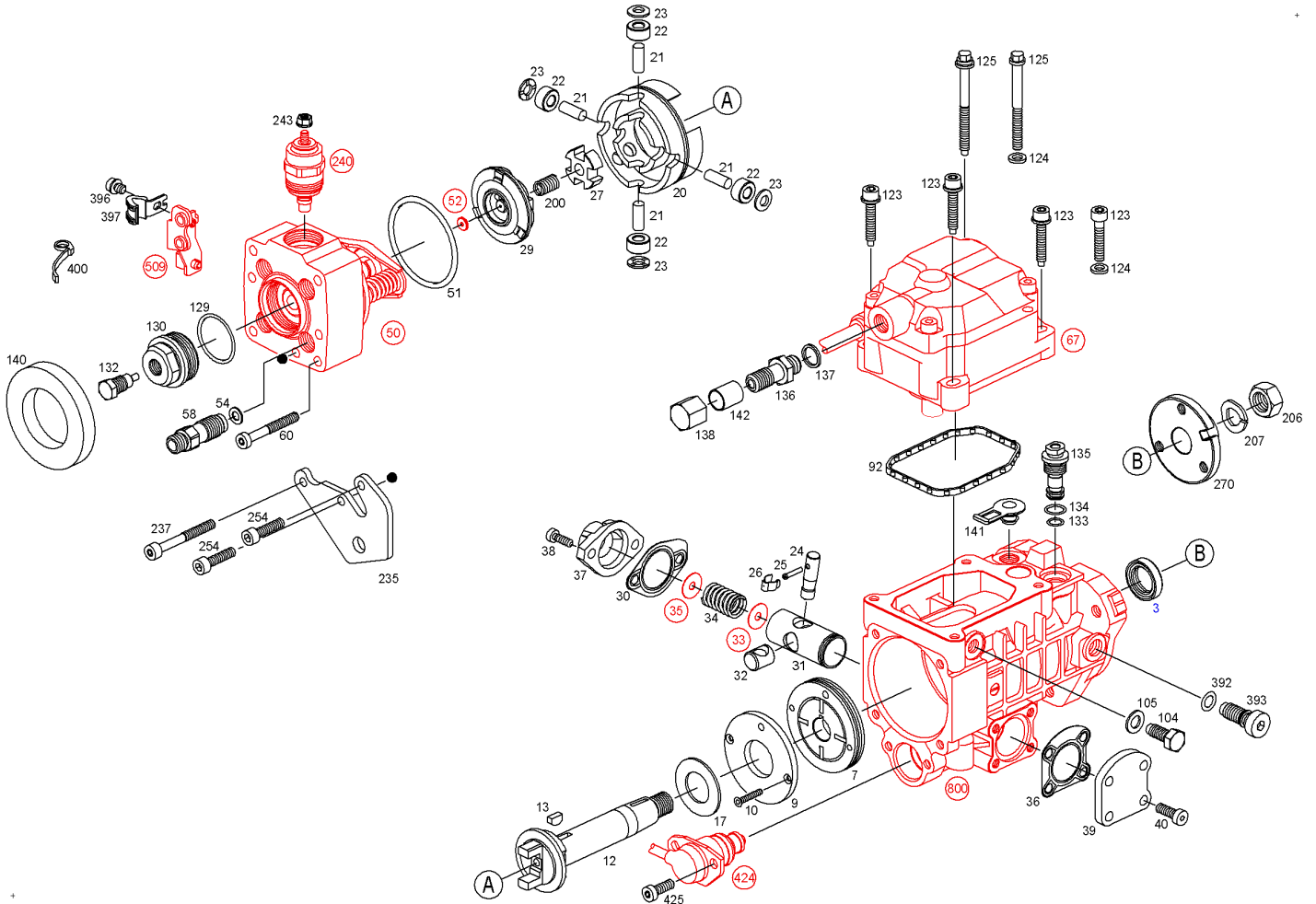
0 986 440 519 - Distributor injection pump - VE4/11E2075R712-2

<b>Description</b>	<b>Value</b>
External number	038 130 107 J
Exchange	0 986 440 519
Designation	Distributor injection pump
Type formula	VE4/11E2075R712-2
ETS index	No spare parts list available; replacement product.
not for	BR
!	Bosch numbers with affixed numbers are variants, see SIS documents

# Replacing Parts

Product

0 460 414 987 - Distributor injection pump - VE4/11E2075R712-2



Position	Order number	Info	Quantity	Designation
3	2 460 283 001	A	1	SHAFT SEALING RING
7	1 467 030 308	A	1	SUPPLY PUMP
9	1 460 134 317	B	1	SUPPORT RING
10	1 463 429 300	B	2	TORX FLAT-HEAD SCREW
12	2 466 100 029	B	1	DRIVE SHAFT
13	1 460 023 302	B	1	WOODRUFF KEY
17	2 460 113 002	B	1	SLIDING DISK
20	2 460 232 030	B	1	ROLLER RING
21	2 463 100 002	B	4	BEARING PIN
22	2 460 300 005	B	4	ROLLER
23	2 460 120 013	B	4	FRICTION WASHER
24	2 463 103 004	B	1	ADJUSTING PIN
25	1 463 120 359	B	1	RETAINING PIN
26	2 461 310 001	B	1	RETAINING BRACKET
27	2 460 140 021	B	1	CROSS DISK

# Replacing Parts

0 460 414 987 - Distributor injection pump - VE4/11E2075R712-2

6/24/2011

11:56:06 AM

29	2 466 110 143	A	1	CAM PLATE
30	1 461 074 328	A	1	SEALING PLATE
31	2 463 104 052	B	1	TIMING-DEVICE PISTON
32	1 463 218 312	B	1	SLIDING PIECE
<b>33</b>	<b>1 460 100 902</b>	<b>B</b>	<b>2</b>	<b>SELECTION GROUP SHIM RING</b>
34	1 464 619 938	A	1	COMPRESSION SPRING
<b>35</b>	<b>1 460 100 902</b>	<b>B</b>	<b>1</b>	<b>SELECTION GROUP SHIM RING</b>
36	1 461 038 319	B	1	SEALING PLATE
37	1 465 530 903	B	1	CLOSING COVER
38	1 463 414 344	B	2	TORX FILLISTER SCREW
39	2 461 038 019	B	1	COVER PLATE
40	1 463 414 344	B	4	TORX FILLISTER SCREW
50	2 468 334 081	B	1	HYDRAULIC HEAD ->FD082
<b>50</b>	<b>2 468 334 092</b>	<b>A</b>	<b>1</b>	<b>HYDRAULIC HEAD, FD083-&gt;</b>
51	2 460 210 012	B	1	O-RING
<b>52</b>		<b>Z</b>	<b>1</b>	<b>SELECTION GROUP SHIM</b>
54	1 460 105 305	A	4	GASKET
58	2 463 370 028	B	4	FITTING
60	1 463 414 312	B	2	TORX FILLISTER SCREW
<b>67</b>	<b>2 467 135 240</b>	<b>B</b>	<b>1</b>	<b>POSITIONER</b>
92	1 460 206 305	B	1	GASKET
104	2 463 452 003	B	1	HEXAGON SCREW
105	1 460 105 307	B	1	GASKET
123	2 912 712 205	B	3	CHEESE HEAD SCREW
123	2 463 433 001	B	3	WASHER-AND-SCREW ASSEMBLY
124	2 916 022 012	B	4	PLAIN WASHER
124	2 916 012 013	B	4	PLAIN WASHER, DIN 433 - 6,4-160 HV
125	2 463 440 005	B	1	WASHER-AND-SCREW ASSEMBLY
125	2 463 440 002	B	1	HEXAGON SCREW
129	1 460 210 349	B	1	O-RING
130	2 463 461 002	B	1	SCREW PLUG
132	2 463 461 001	B	1	BLEEDER SCREW
133	1 460 225 081	B	1	O-RING
134	1 460 225 082	B	1	O-RING
135	2 460 362 002	B	1	CONTROL VALVE
136	2 467 413 025	A	1	OVERFLOW VALVE
137	1 460 105 312	A	1	FLAT SEAL RING
138	2 463 317 004	B	1	CAP NUT
140	1 460 591 315	B	1	PROTECTIVE CAP
141	2 410 508 006	B	1	PROTECTIVE CAP
142	1 410 407 004	B	1	PROTECTION SLEEVE
200	2 464 633 002	B	1	COMPRESSION SPRING
206	2 915 021 004	B	1	HEXAGON NUT, DIN 934 - M14x1,5-8-A
207	2 916 699 137	B	1	SPRING LOCK WASHER, DIN 128 - A14-FSt
235	2 461 021 015	B	1	SUPPORT PLATE
237	1 463 414 305	B	2	TORX FILLISTER SCREW
<b>240</b>	<b>0 330 001 042</b>	<b>B</b>	<b>1</b>	<b>PULLING ELECTROMAGNET</b>

# Replacing Parts

0 460 414 987 - Distributor injection pump - VE4/11E2075R712-2

6/24/2011

11:56:06 AM

243	1 463 314 306	B	1	FLANGE NUT
254	2 910 142 203	B	3	HEX-SOCKET-HEAD CAP SCREW, ISO 4762 - M6x25-8.8
270	2 466 434 005	B	1	COUPLING HALF
392	1 460 210 322	A	1	O-RING
393	1 463 462 308	B	1	SCREW PLUG
396	1 463 433 321	B	1	WASHER-AND-SCREW ASSEMBLY
397	2 461 300 004	B	1	CLAMP
400	2 464 736 001	B	1	CABLE FASTENER
<b>424</b>	<b>0 281 002 649</b>	<b>A</b>	<b>1</b>	<b>SOLENOID-OPERATED VALVE</b>
425	1 463 414 344	B	2	TORX FILLISTER SCREW
<b>509</b>	<b>2 461 332 023</b>	<b>B</b>	<b>1</b>	<b>MOUNTING BRACKET</b>
<b>800</b>	<b>2 465 130 944</b>	<b>A</b>	<b>1</b>	<b>ASSEMBLY OF SERVICE PARTS PUMP HOUSING</b>

## Explanations

A	Wear part
B	Service part
Z	Not a service part

## Replacing Parts

Product 0 460 404 959 - Distributor injection pump - VE4/10E2075R700-1  
1 460 100 902 - SELECTION GROUP

Position	Order number	Info	Quantity	Designation
1	1 460 100 373	B	1	SHIM RING, 0,20 MM
2	1 460 100 342	B	1	SHIM RING, 0,30 MM
3	1 460 100 374	B	1	SHIM RING, 0,40 MM
4	1 460 100 312	B	1	SHIM RING, 0,50 MM
5	1 460 100 336	B	1	SHIM RING, 0,60 MM
6	1 460 100 767	B	1	SHIM RING, 0,70 MM
7	1 460 100 313	B	1	SHIM RING, 0,80 MM
8	1 460 100 768	B	1	SHIM RING, 0,90 MM
9	1 460 100 314	B	1	SHIM RING, 1,00 MM
10	1 460 100 375	B	1	SHIM RING, 1,10 MM
11	1 460 100 315	B	1	SHIM RING, 1,20 MM
12	1 460 100 365	B	1	SHIM RING, 1,30 MM
13	1 460 100 769	B	1	SHIM RING, 1,40 MM
14	1 460 100 316	B	1	SHIM RING, 1,50 MM
15	1 460 100 770	B	1	SHIM RING, 1,60 MM
16	1 460 100 376	B	1	SHIM RING, 1,70 MM
17	1 460 100 317	B	1	SHIM RING, 1,80 MM
18	1 460 100 377	B	1	SHIM RING, 1,90 MM
19	1 460 100 318	B	1	SHIM RING, 2,00 MM
20	1 460 100 848	B	1	SHIM RING, 2,10 MM
21	1 460 100 771	B	1	SHIM RING, 2,20 MM
22	1 460 100 849	B	1	SHIM RING, 2,30 MM
23	1 460 100 772	B	1	SHIM RING, 2,40 MM
24	1 460 100 850	B	1	SHIM RING, 2,50 MM
25	1 460 100 851	B	1	SHIM RING, 2,60 MM
26	1 460 100 852	B	1	SHIM RING, 2,70 MM
27	1 460 100 853	B	1	SHIM RING, 2,80 MM
28	1 460 100 854	B	1	SHIM RING, 2,90 MM
29	1 460 100 855	B	1	SHIM RING, 3,00 MM

### Explanations

B Service part

# Parts set

Product

0 460 404 959 - Distributor injection pump - VE4/10E2075R700-1

