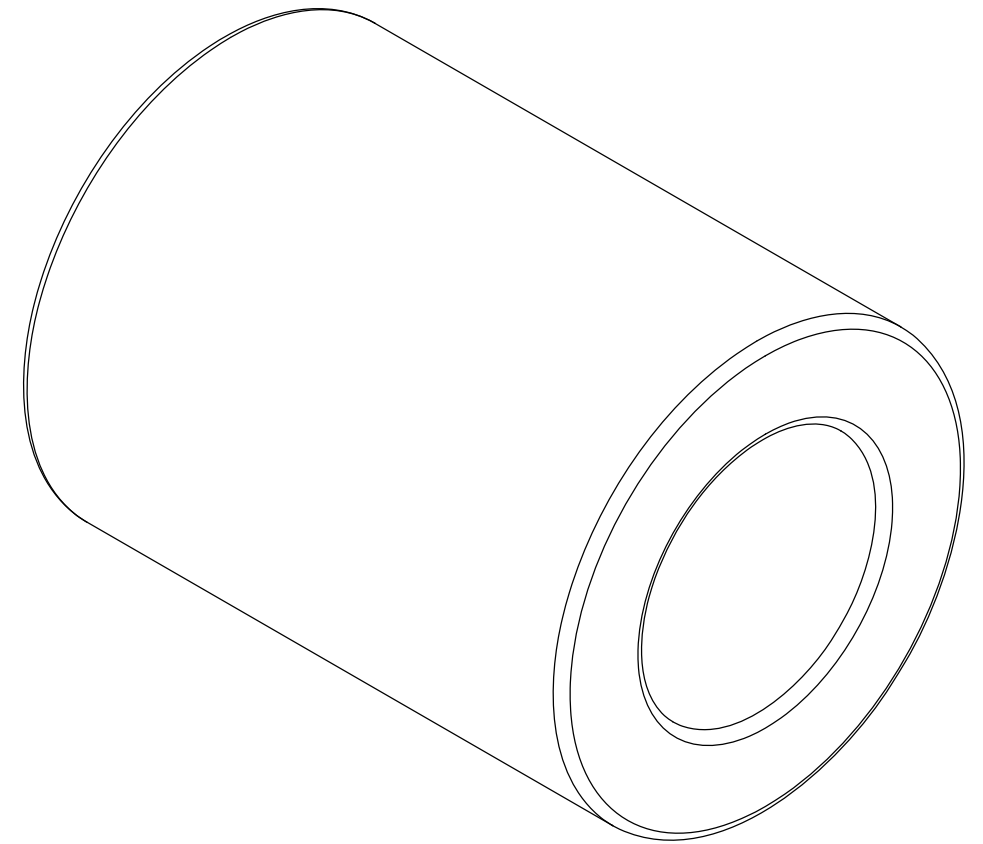
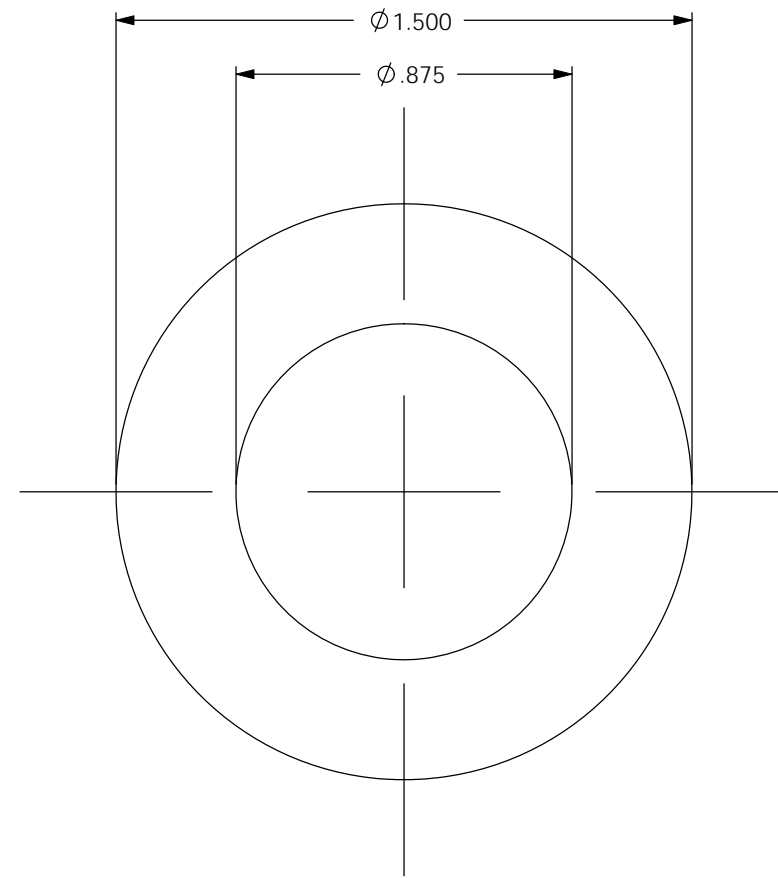


R.03 TYP



ITEM	QTY.	MATERIAL	LENGTH
1	1	CRS 1018, BAR, RND, $\phi 1\ 1/2"$	2"