

## Volkswagen > Jetta > 2005-2008

### Body Exterior

### 60 - Description and Operation

.

## Panorama Sunroof, Adapting

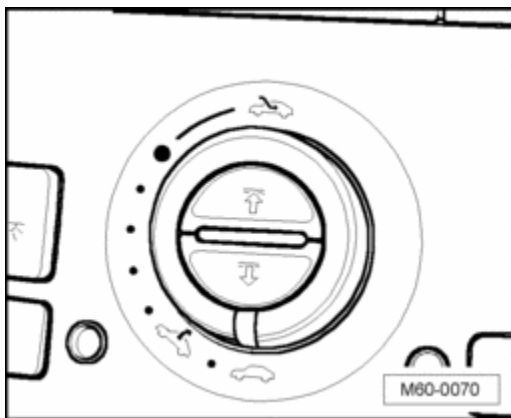
### Note:

- ◆ *After changing the glass sunroof panel, a motor, the tilt mechanism or the sunshade, an adaptation must be performed for that particular drive.*
- ◆ *Pinch protection is switched off when performing an adaptation.*

### Adaptation sunroof motor

The ignition is switched on.

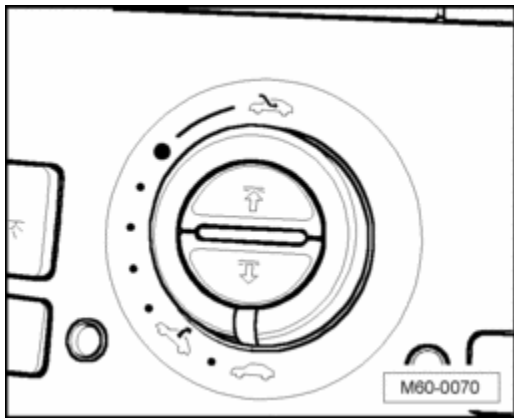
The rotary switch must be in the "Sunroof closed" position.



- Pull the rotary switch - 1 - down and hold it in that position during the entire adaptation process (approx. 20 seconds).
- During the adaptation process, the glass sunroof will first close and then retract by approx. 200 mm.
- After the panel closes again, the adaptation process is completed and the switch can be released.

### Motor adaptation process for the sunshade

The ignition is switched on.



- Press the close sunshade button - **3** - and hold it in this position during the engine adaptation process (approximately 20 seconds).
- During the adaptation process, the sunshade will first close and then retract by approx. 200 mm.
- After the sunshade has been closed again all the way, the adaptation process is completed and the switch can be released.

*Copyright © 2008 Volkswagen of America, Inc. and Bentley Publishers. All rights reserved. Last processed:*