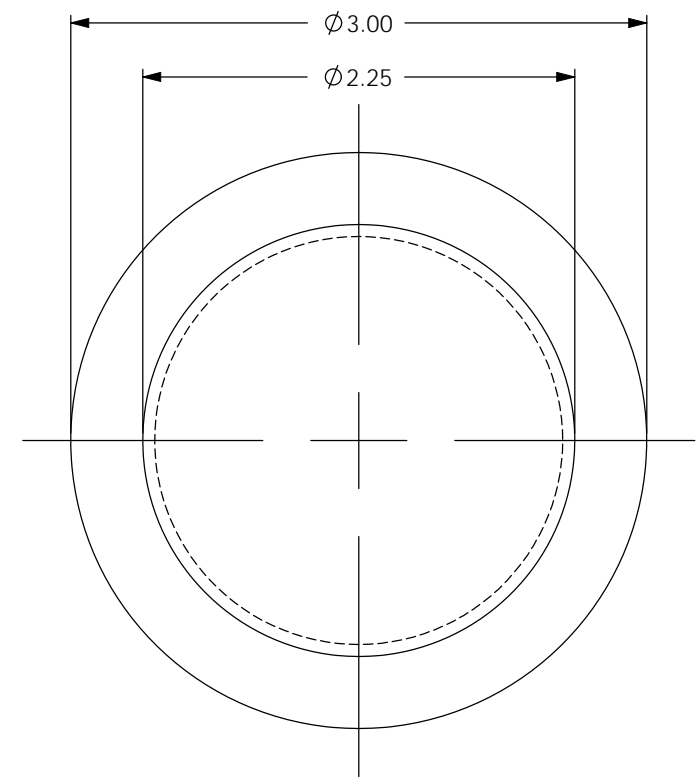
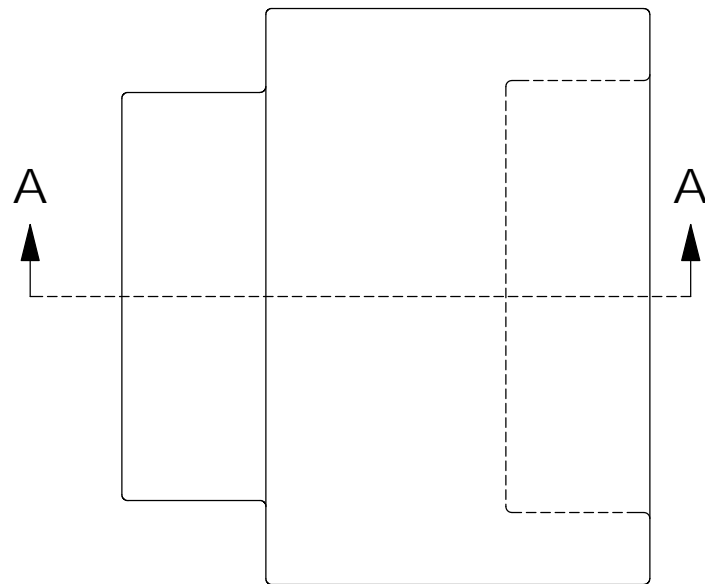
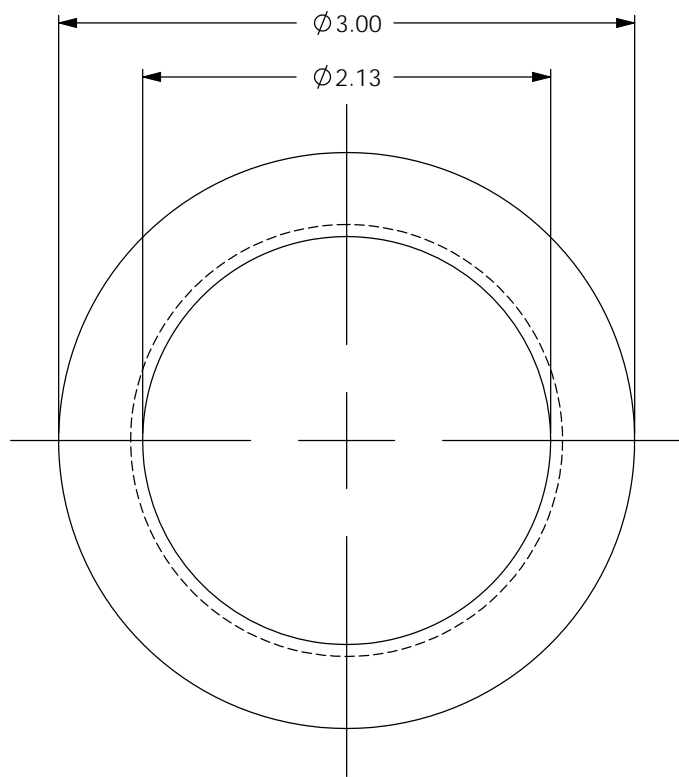
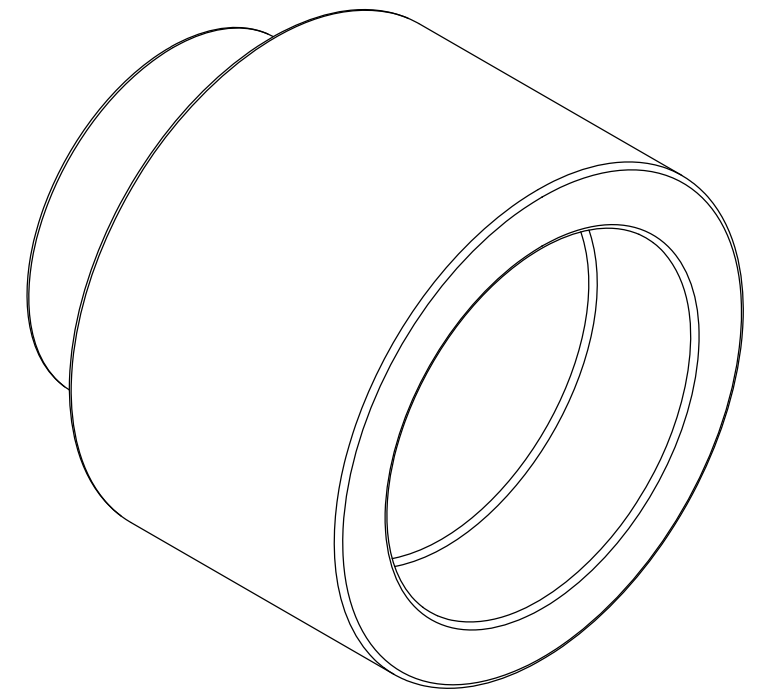


SECTION A-A



ITEM	QTY.	MATERIAL	LENGTH
1	1	CRS 1018, BAR, RND, Ø3"	2 3/4"