



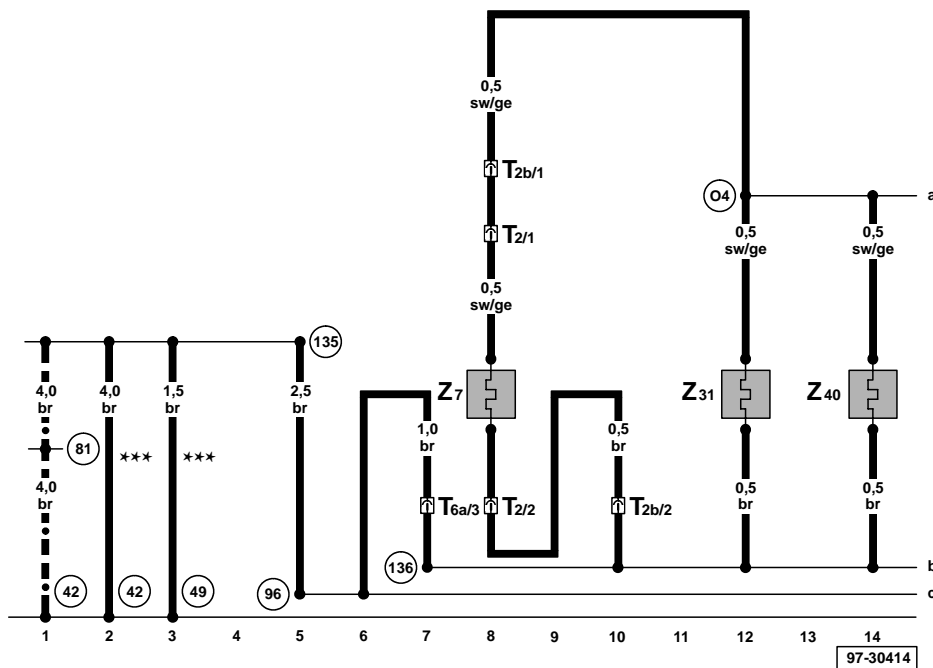
Seat lateral support heater, driver's seat, heated driver's seat backrest

- T2 - 2-pin connector, under driver's seat
- T2b - 2-pin connector, under driver's seat
- T6a - 6-pin connector, green, under driver's seat
- Z7 - Heated driver's seat backrest
- Z31 - Seat lateral support heater, driver's seat
- Z40 - Lateral support heating 2, driver's seat

- (42) - Earth point, next to steering column
- (49) - Earth point, on steering column
- (81) - Earth connection -1-, in dash panel wiring harness
- (96) - Earth connection -1-, in seat heating wiring harness
- (135) - Earth connection -2-, in dash panel wiring harness
- (136) - Earth connection -2-, in seat heating wiring harness
- (O4) - Positive (+) connection (30a), in heated seat wiring harness

*** From May 2000

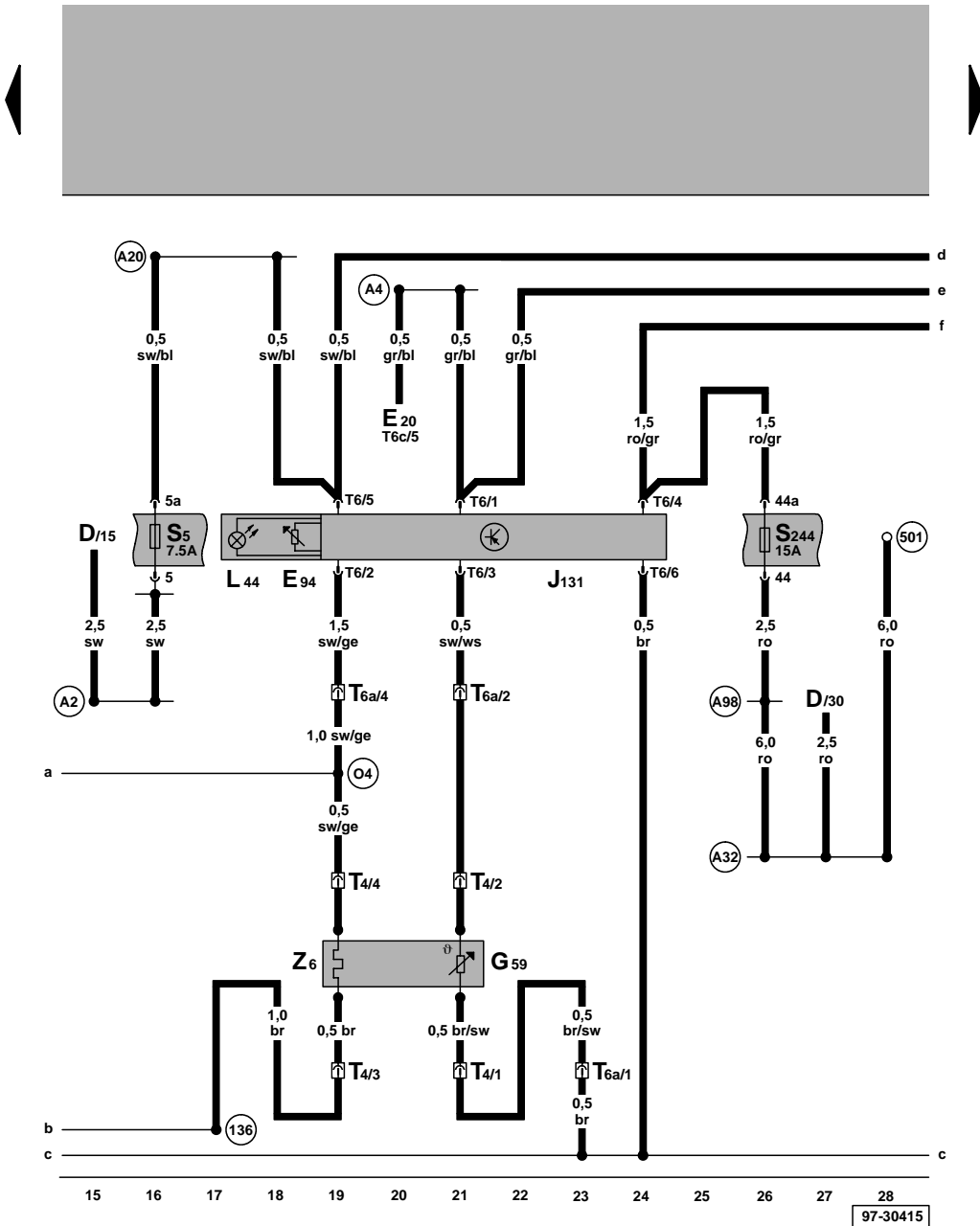
-•- Up to April 2000



ws = white
 sw = black
 ro = red
 br = brown
 gn = green
 bl = blue
 gr = grey
 li = purple
 ge = yellow
 or = orange

97-30414

Heated driver's seat control unit, temperature sensor, heated driver's seat



- D - Ignition/starter switch
- E20 - Switches and instruments, lighting control
- E94 - Heated driver's seat adjuster (01175)
- G59 - Driver's seat temperature sensor
- J131 - Heated driver's seat control unit
- L44 - Seat heating switch light bulb
- S5 - Fuse in fuse box
- S244 - Fuse in fuse box
- T4 - 4-pin connector, under driver's seat
- T6 - 6-pin connector
- T6a - 6-pin connector, green, under driver's seat
- T6c - 6-pin connector
- Z6 - Heated driver's seat

- (136) - Earth connection -2-, in seat heating wiring harness
- (501) - Screw connection -2- (30), on relay plate
- (A2) - Positive (+) connection (15), in dash panel wiring harness
- (A4) - Positive (+) connection (58b), in dash panel wiring harness
- (A20) - Connection (15a), in dash panel wiring harness
- (A32) - Positive (+) connection (30), in dash panel wiring harness
- (A98) - Positive (+) connection-4-(30), in dash panel wiring harness
- (O4) - Positive (+) connection (30a), in heated seat wiring harness

ws = white
 sw = black
 ro = red
 br = brown
 gn = green
 bl = blue
 gr = grey
 li = purple
 ge = yellow
 or = orange

Heated front passenger's seat control unit, temperature sensor, heated front passenger's seat, heated front passenger's seat backrest, seat lateral support heater front passenger's seat

- E95 - Heated front passenger's seat adjuster
- G60 - Front passenger's seat temperature sensor
- J132 - Heated front passenger's seat control unit
- L44 - Seat heating switch light bulb
- T2a - 2-pin connector, under front passenger's seat
- T2c - 2-pin connector, under front passenger's seat
- T4a - 4-pin connector, under front passenger seat
- T6b - 6-pin connector
- T6d - 6-pin connector, green, under front passenger's seat
- Z8 - Heated front passenger's seat
- Z9 - Heated front passenger's seat backrest
- Z33 - Seat lateral support heater, front passenger's seat
- Z41 - Lateral support heating 2, front passenger's seat

- 96 - Earth connection -1-, in seat heating wiring harness
- 145 - Earth connection -3-, in seat heating wiring harness
- 010 - Positive (+) connection -2- (30a), in heated seat wiring harness

ws = white
 sw = black
 ro = red
 br = brown
 gn = green
 bl = blue
 gr = grey
 li = purple
 ge = yellow
 or = orange

