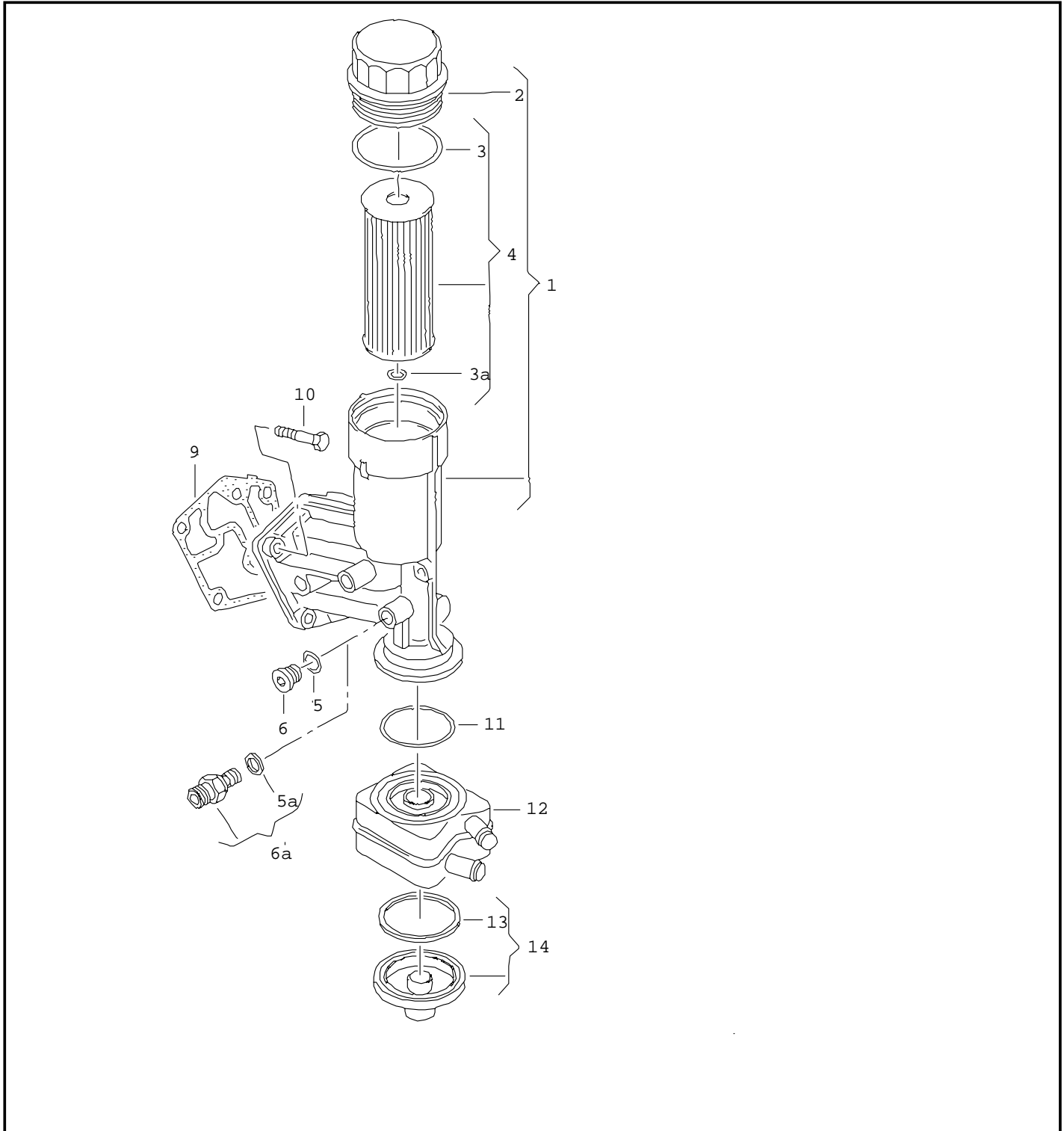




ETKA



Model	Year	MG:	SG:	Illustration	Restrictions	Update		
JEM	05	1	15	115-60	>> 9M-5-149 9	615	23:41	15.04.2005





ETKA



Model	Year	MG:	SG:	Illustration	Restrictions	Update		
JEM	05	1	15	115-60	>> 9M-5-149 9	615	23:41	15.04.2005

Pos	Part Number	Name	Remarks	Qty	Model
		oil filter oil filter bracket	1.9ltr.		dieselmotor+ ALH, BEW
(1)	038 115 389 B	oil filter bracket		1	
2	038 115 433	cover		1	
3	N 907 823 01	round seal	71X3,50	1	
3A	N 900 432 01	round seal	10X2-N	1	
4	074 115 562	filter element with gasket		1	
5	N 013 811 5	sealing washer	A10X13,5	1	
6	N 016 024 1	plug	M10X1	1	
9	b 038 115 441 A	gasket		1	
10	N 907 297 01	screw, hex. hd. F >> 9M-3-160 847	AM7X42	4	ALH
(10)	N 908 152 01	12 point socket head screw F 9M-3-160 484>>	M7X42	4	ALH, BEW
(11)	038 117 070 A	sealing washer	59X5	1	
12	068 117 021 B	oil cooler		1	ALH
(12)	#068 117 021 BX	oil cooler		1	ALH
(12)	028 117 021 K	oil cooler		1	BEW
(13)	038 117 070	gasket	62,8	1	
14	021 117 061 B	cover		1	ALH
(14)	045 117 061 D	cover F >> 9M-4-111 632		1	BEW
(14)	045 117 061 F	cover F 9M-4-111 632>>		1	BEW
		- - - E N D - - -			