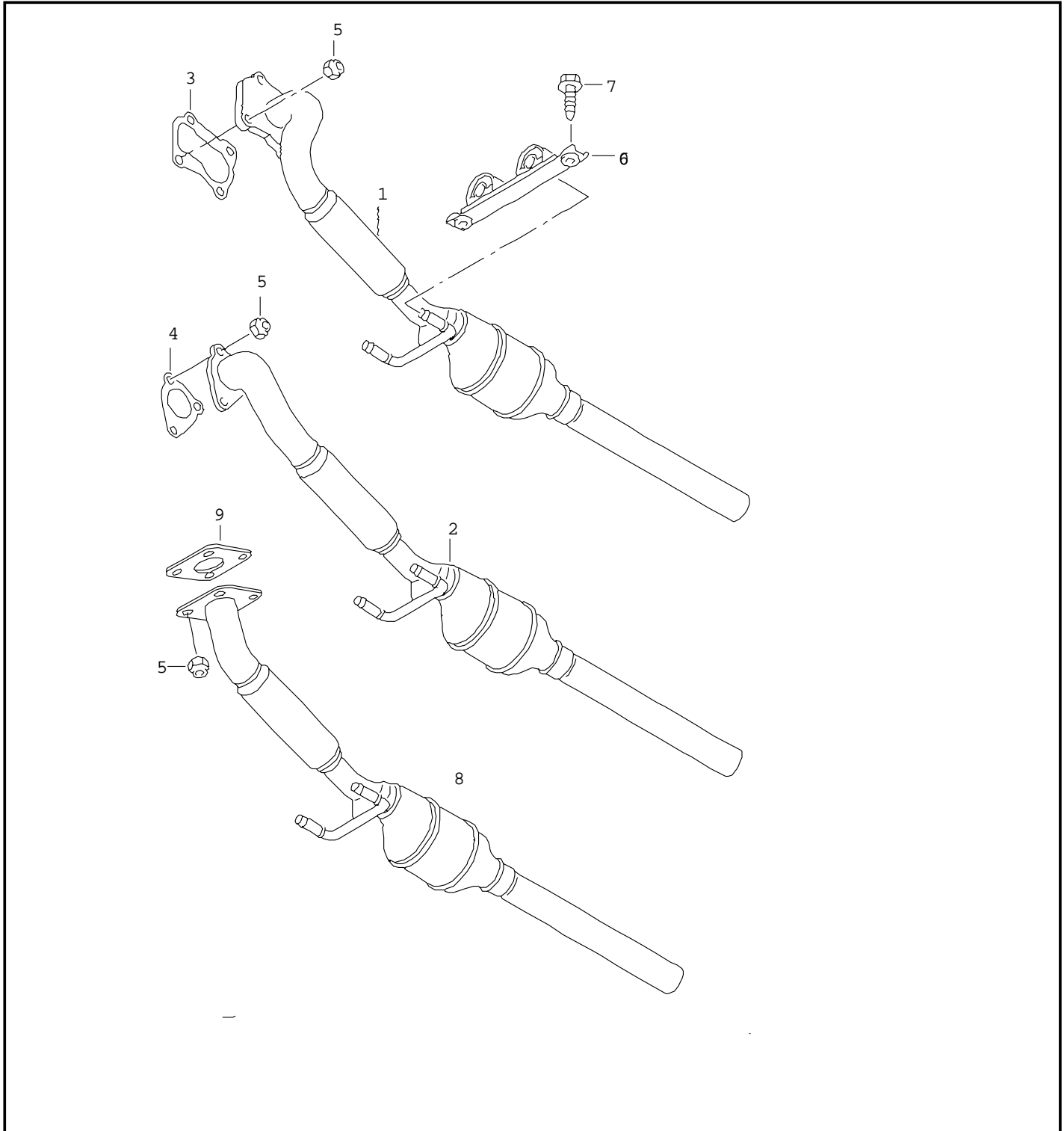




ETKA



Model	Year	MG:	SG:	Illustration	Restrictions	Update		
JEM	05	2	53	253-60	>> 9M-5-149 9	621	23:50	23.04.2005





ETKA



Model	Year	MG:	SG:	Illustration	Restrictions	Update		
JEM	05	2	53	253-60	>> 9M-5-149 9	621	23:50	23.04.2005

Pos	Part Number	Name	Remarks	Qty	Model
		exhaust pipe with catalyst	1.9ltr.		diesel eng.+ ALH, BEW
2	b#1J0 253 058 GX	exhaust pipe with catalyst to be used for:	1J0 253 208 DT	1	ALH
(2)	b#1J0 254 503 HX	exhaust pipe with catalyst		1	manual gearbox+ BEW
(2)	b#1J0 254 503 JX	exhaust pipe with catalyst for vehicles with tiptronic		1	BEW
4	3A0 253 115	gasket		1	
5	N 902 002 01	shouldered hex. nut, self-locking	AM8	3	
6	1J0 253 144 H	bracket		1	
(6)	1J0 253 144 T	bracket		1	BEW
7	N 010 239 11	screw, hex. hd.	M8X18	2	
(7)	b 111 821 145	screw, hex. hd.	M8X18	2	
(7)	+ N 101 016 03	screw, hex. hd.	M8X18	2	
		- - - E N D - - -			