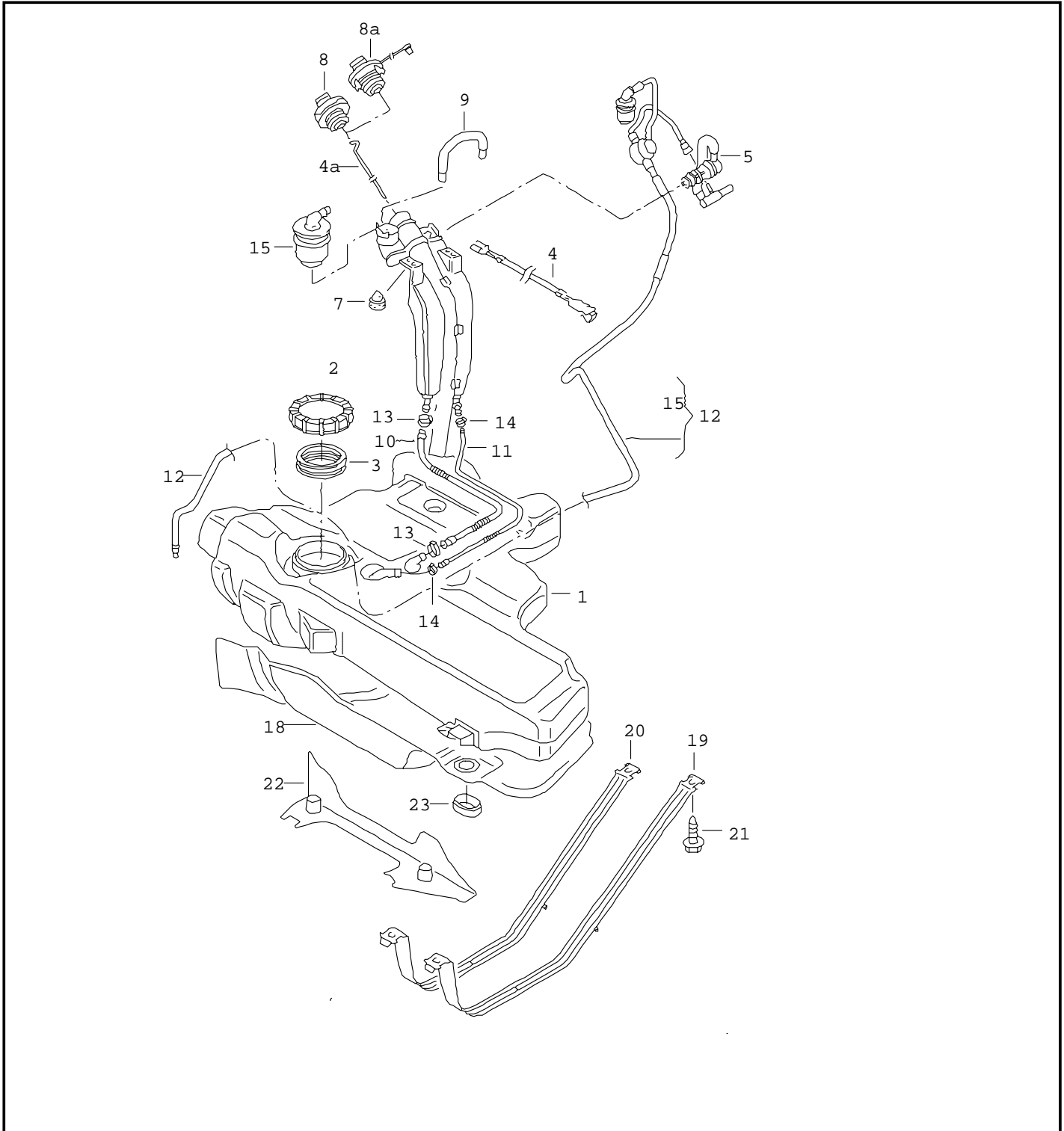




ETKA



Model	Year	MG:	SG:	Illustration	Restrictions	Update		
JEM	05	2	01	201-15	>> 9M-5-149 9	621	23:47	23.04.2005





ETKA



Model	Year	MG:	SG:	Illustration	Restrictions	Update		
JEM	05	2	01	201-15	>> 9M-5-149 9	621	23:47	23.04.2005

Pos	Part Number	Name	Remarks	Qty	Model
1	1J0 201 060 CM	fuel tank fuel tank with narrow fuel filler neck (22mm) for lead-free fuel also use: F >> 9M-4-131 411*	1J0 201 184	1	PR-1E4,1E7 otto engine PR-2LC
(1)	1J0 201 060 DF	fuel tank with narrow fuel filler neck (22mm) for lead-free fuel F 9M-4-131 412>>*		1	otto engine PR-2LC
(1)	1J0 201 021 KM	fuel tank with narrow fuel filler neck (22mm) for lead-free fuel metallic plus		1	otto engine PR-2LE
(1)	1J0 201 060 DH	fuel tank with no narrow fuel filler neck (26mm >)		1	otto engine PR-2LF
(1)	1J0 201 060 BG	fuel tank for vehicles with diesel engine		1	diesel eng.
2	321 201 375 A	union nut F >> 9M-4-092 760*		1	PR-2LB,2LC
(2)	8N0 201 375 A	union nut F 9M-4-092 761>>*		1	PR-2LB,2LC
(2)	1K0 201 375	union nut		1	PR-2LF
3	1J0 919 133	sealing washer		1	diesel eng.
(3)	1J0 919 133 A	sealing washer		1	otto engine PR-2LB,2LC
(3)	1J0 919 133 B	sealing washer		1	otto engine PR-1A3+2LF
(3)	1J0 201 209 A	sealing washer		1	PR-2LE
4	1J0 201 142 A	ground strap		1	
4A	1J0 201 184	ground strap		1	
5	1J0 201 160 G	breather tube bleeder valve		1	gas engine
-	1C0 201 687 A	bracket	11/11MM	1	



E T K A



Model	Year	MG:	SG:	Illustration	Restrictions	Update		
JEM	05	2	01	201-15	>> 9M-5-149 9	621	23:47	23.04.2005

Pos	Part Number	Name	Remarks	Qty	Model
(5)	6X0 201 136	ventilation valve		1	diesel eng.
(6)	1J0 201 250	clip		1	
7	1J0 201 048 B	spacer bushing F >> 9M-3-999 000*		2	
(7)	1J0 201 048 C	spacer bushing F 9M-4-000 001>>		2	
(8A)	1J0 201 550 AF	cap with retaining strap for fuel tank for vehicles with central locking system		1	PR-2W2 PR-2LB+2LC
	7/03 1/05 01C	satın black			
(8A)	1J0 201 550 AA	cap with retaining strap for fuel tank metallic plus		1	
	7/03 1/05 01C	satın black			
(8A)	1J0 201 550 AH	cap with retaining strap for fuel tank		1	
	7/03 1/05 01C	satın black			
9	1J0 201 993 J	breather tube		1	
10	1J0 201 993 L	breather tube		1	
11	1J0 201 995 H	breather tube		1	
12	1J0 201 931 L	breather tube F >> 9M-3-999 000		1	
(12)	1J0 201 931 P	breather tube F 9M-4-000 001>>		1	
13	N 103 206 01	retaining clip	8X18,5	2	
14	N 100 843 01	retaining clip	6X13	2	
15	1J0 201 752	gravity valve		1	diesel eng.
(16)	1JM 201 974 A	heatshield		1	
		also use:			
		speed nut	N 901 326 03	4	
		tapp. screw, cheese hd.	N 101 559 01	4	
(17)	N 105 703 01	bolt, hex. hd. with shoulder to be used for:	M8	3	
			1J0 201 060 DA		



ETKA



Model	Year	MG:	SG:	Illustration	Restrictions	Update		
JEM	05	2	01	201-15	>> 9M-5-149 9	621	23:47	23.04.2005

Pos	Part Number	Name	Remarks	Qty	Model
18	1J0 201 307 G	shield for fuel tank		1	
(18)	1J0 201 307 N	shield for fuel tank metallic plus		1	PR-2LE
19	1J0 201 655 F	strap	left	1	
20	1J0 201 656 E	strap	right	1	
(20)	1J0 201 653 H	strap metallic plus		1	PR-2LE
		to be used for:	1J0 201 060 DA		
21	+ N 019 530 3	bolt, hex. hd. with shoulder	M8X25-PC	4	
(21)	N 105 706 01	bolt, hex. hd. with shoulder to be used for:	M8 1J0 201 653 H	1	
22	1J0 201 429 A	trim for fuel tank		1	
23	1J0 201 048	spacer bushing		1	
24	1J0 201 330 A	breather tube		1	PR-2LE
25	N 906 882 03	bolt, hex. hd. with shoulder	M6	1	PR-2LE
26		see illustration: position:	201-97 1		
(27)	1J0 201 329	fuel line		1	PR-2LE
		- - - E N D - - -			