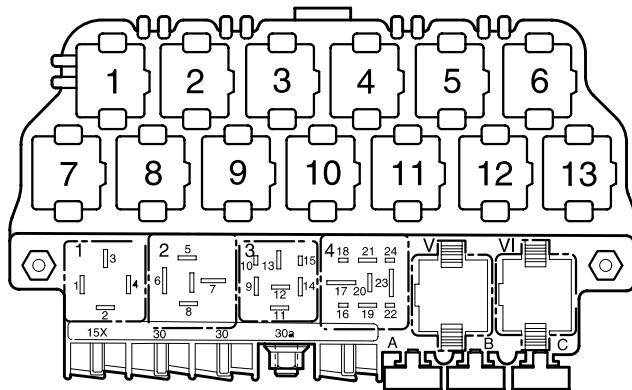


Interior monitoring,

from May 2001

For alternatives to relay and fuse positions as well as multi-pin connector wiring - see "Fitting locations" section.



97-14163

Fuse colours

- 30 A – green
- 25 A – white
- 20 A – yellow
- 15 A – blue
- 10 A – red
- 7.5 A – brown
- 5 A – beige
- 3 A – lilac



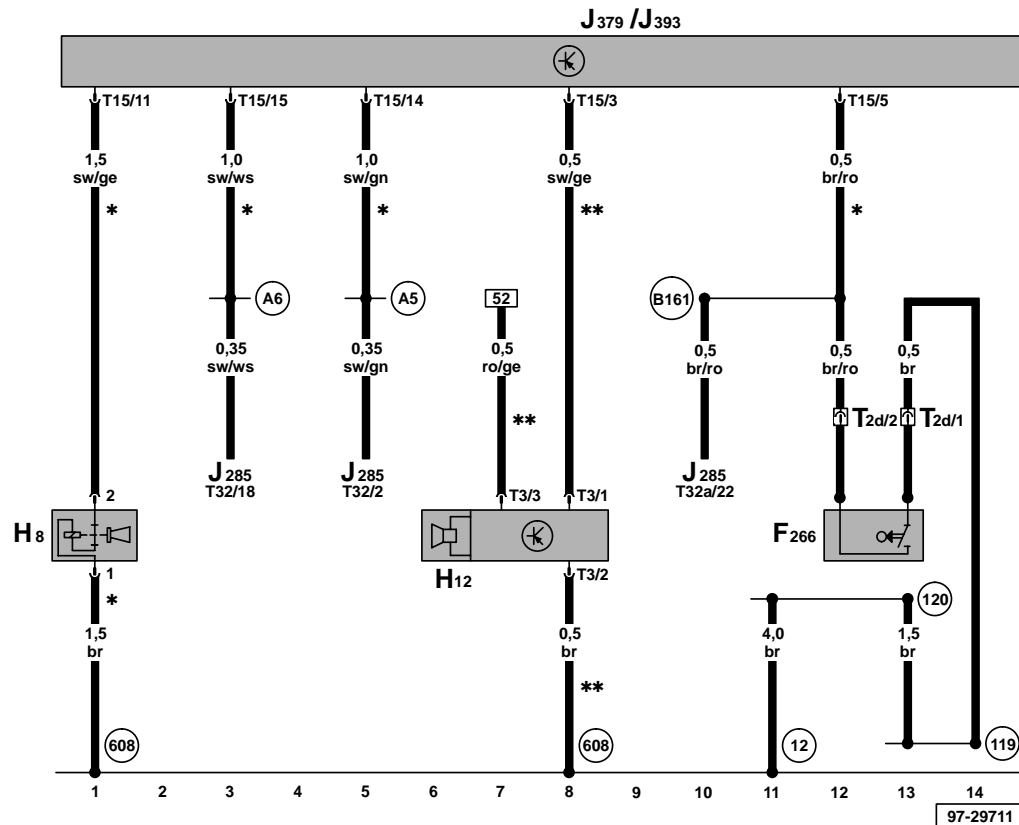
Central locking control unit and anti-theft alarm, convenience system central control unit, anti-theft alarm system horn, bonnet contact switch

- F266 – Bonnet contact switch, in lock
- H8 – Anti-theft alarm system horn
- H12 – Alarm horn**
- J285 – Control unit with display in dash panel insert
- J379 – Central locking control unit and anti-theft alarm, behind dash panel, left
- J393 – Convenience system central control unit, behind dash panel, left
- T2d – 2-pin connector, near headlight, right
- T3 – 3-pin connector
- T15 – 15-pin connector
- T32 – 32-pin connector, blue
- T32a – 32-pin connector, green

- (12) – Earth point, in engine compartment, left
- (119) – Earth connection -1-, in headlight wiring harness
- (120) – Earth connection -2-, in headlight wiring harness
- (608) – Earth point, in plenum chamber, centre
- (A5) – Positive (+) connection (right turn signal), in dash panel wiring harness
- (A6) – Positive (+) connection (left turn signal), in dash panel wiring harness
- (B161) – Connection (ATA), in interior wiring harness

- * – Only in models with anti-theft alarm system
- ** – For some export countries only

ws = white
 sw = black
 ro = red
 br = brown
 gn = green
 bl = blue
 gr = grey
 li = lilac
 ge = yellow
 or = orange



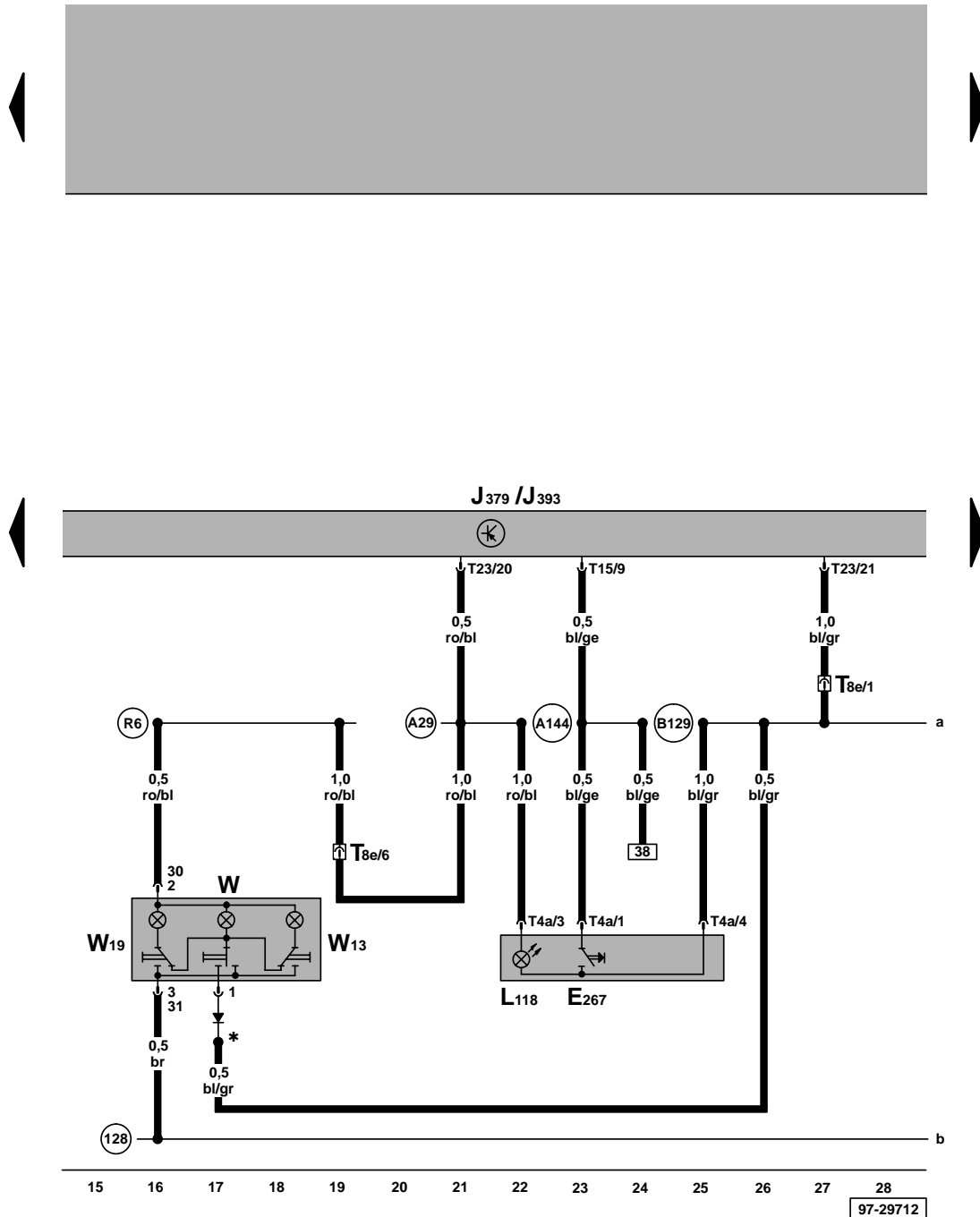
Central locking control unit and anti-theft alarm, convenience system central control unit, interior monitoring deactivation switch, interior light, front, reading lights front

- E267 – Interior monitoring deactivation switch
- J379 – Central locking control unit and anti-theft alarm, behind dash panel, left
- J393 – Convenience system central control unit, behind dash panel, left
- L118 – Deactivation of interior monitoring system switch illumination
- T4a – 4-pin connector
- T8e – 8-pin connector, behind dash panel, left
- T15 – 15-pin connector
- T23 – 23-pin connector
- W – Interior light, front
- W13 – Reading lamp front passenger's side
- W19 – Reading lamp driver's side

- (128) – Earth connection -1-, in interior light wiring harness
- (A29) – Connection (interior light), in dash panel wiring harness
- (A144) – Connection (interior monitoring) in dash panel wiring harness
- (B129) – Connection (interior light, 31), in interior wiring harness
- (R6) – Positive (+) connection -1-, in interior light wiring harness

* – Diode in connector housing

ws = white
 sw = black
 ro = red
 br = brown
 gn = green
 bl = blue
 gr = grey
 li = lilac
 ge = yellow
 or = orange



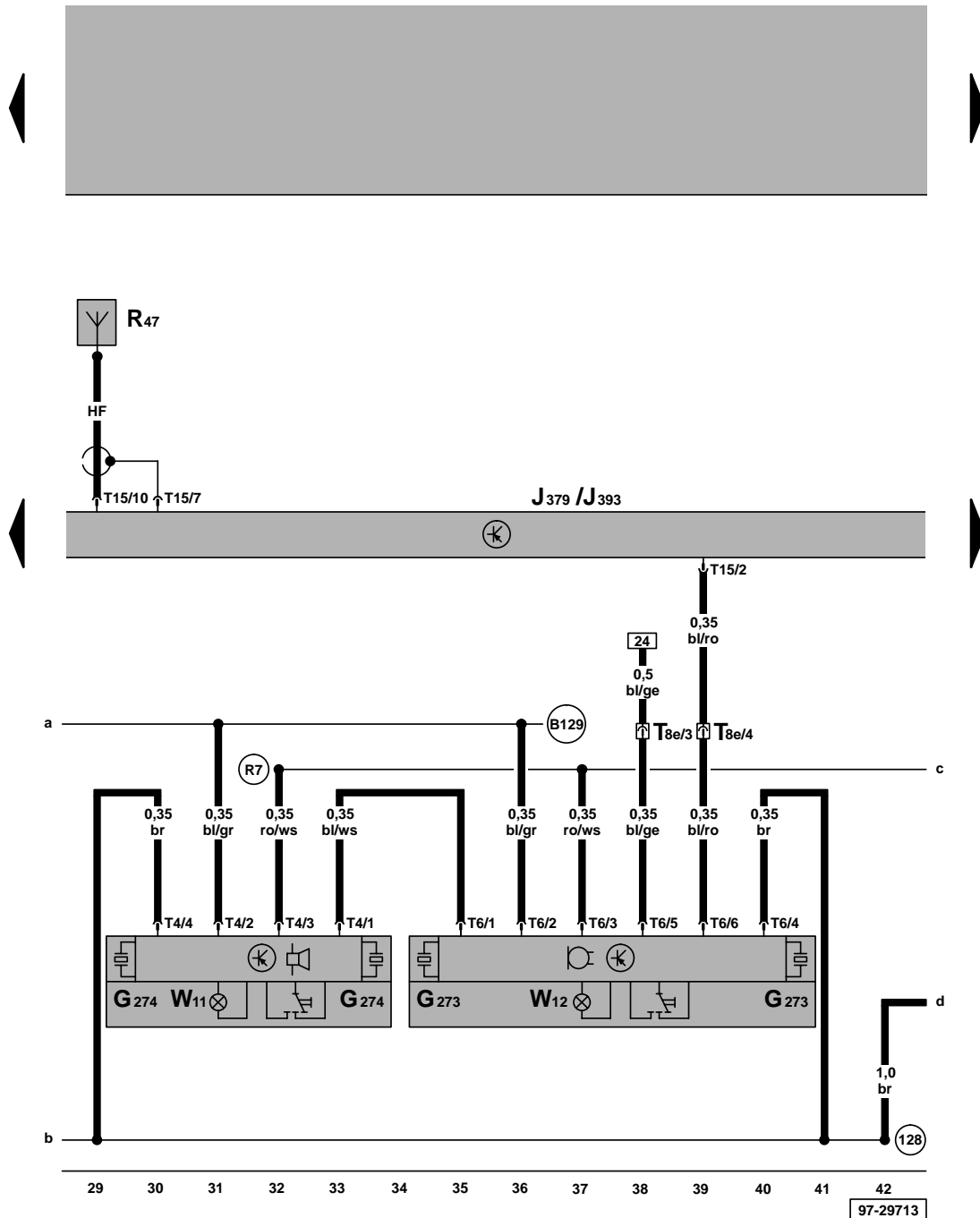
97-29712

Central locking control unit and anti-theft alarm, convenience system central control unit, transmitter and sensor for interior monitoring, reading lights rear

- G273– Interior monitoring sensor
- G274– Interior monitoring transmitter
- J379 – Central locking control unit and anti-theft alarm, behind dash panel, left
- J393 – Convenience system central control unit, behind dash panel, left
- R47 – Central locking and anti-theft alarm system aerial
- T4 – 4-pin connector
- T6 – 6-pin connector
- T8e – 8-pin connector, behind dash panel, left
- T15 – 15-pin connector
- W11 – Reading lamp, rear left
- W12 – Reading lamp, rear right

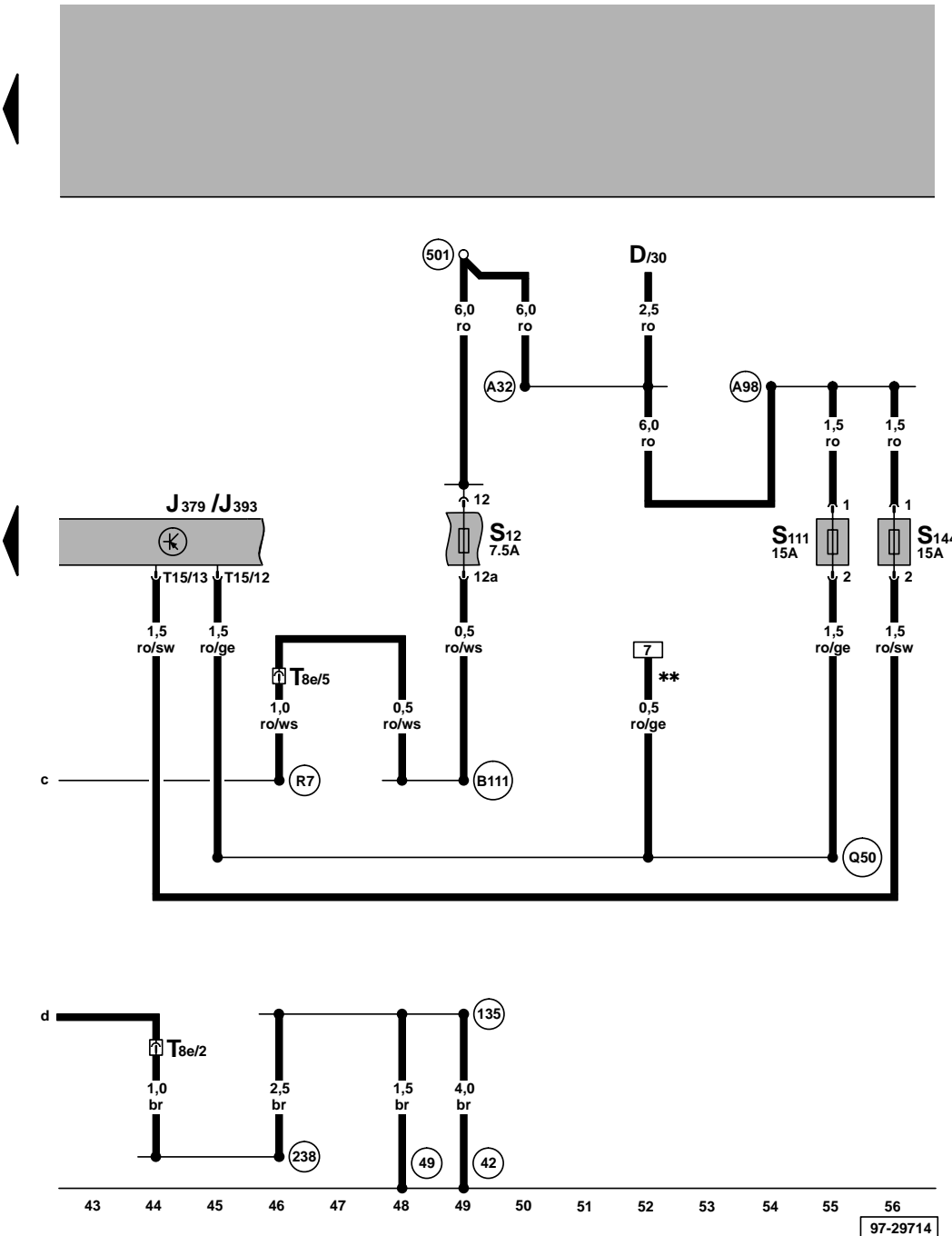
- (128) – Earth connection -1-, in interior light wiring harness
- (B129) – Connection (interior light, 31), in interior wiring harness
- (R7) – Positive (+) connection -2-, in interior light wiring harness

ws = white
 sw = black
 ro = red
 br = brown
 gn = green
 bl = blue
 gr = grey
 li = lilac
 ge = yellow
 or = orange



97-29713

Central locking control unit and anti-theft alarm, convenience system central control unit



- D – Ignition/starter switch
- J379 – Central locking control unit and anti-theft alarm, behind dash panel, left
- J393 – Convenience system central control unit, behind dash panel, left
- S12 – Fuse in fuse box
- S111 – Anti-theft alarm system fuse
- S144 – Anti-theft alarm system central locking fuse
- T8e – 8-pin connector, behind dash panel, left
- T15 – 15-pin connector

- (42) – Earth point, next to steering column
- (49) – Earth connection, on steering column
- (135) – Earth connection -2-, in dash panel wiring harness
- (238) – Earth connection -1-, in interior wiring harness
- (501) – Screw connection -2- (30), on relay plate
- (A32) – Positive (+) connection (30), in dash panel wiring harness
- (A98) – Positive (+) connection-4-(30), in dash panel wiring harness
- (B111) – Positive (+) connection -1- (30a), in interior wiring harness
- (Q50) – Connection (30a), in anti-theft alarm system wiring harness
- (R7) – Positive (+) connection -2-, in interior light wiring harness

** – For some export countries only

ws = white
 sw = black
 ro = red
 br = brown
 gn = green
 bl = blue
 gr = grey
 li = lilac
 ge = yellow
 or = orange