

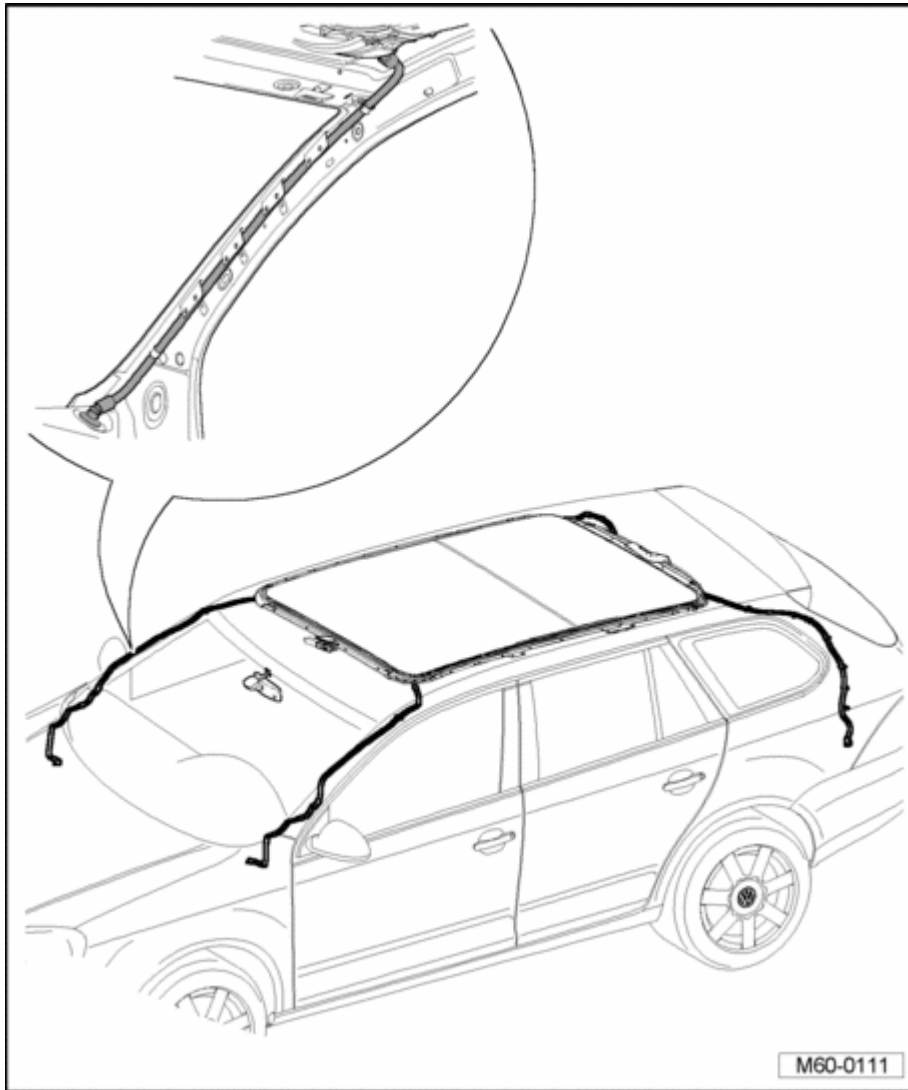
Water Drain Hoses for Panorama Sunroof, Cleaning

Note:

- ◆ For cleaning, an assisting tool is recommended, such as a speedometer drive shaft inner cable, approx. 2300 mm (90.5 in.) long.

Front Water Drain Hoses

Route water drain hoses at front on A-pillar and end at facing wall crossmember. Cleaning takes place from the panorama sunroof cut-out.



Rear Water Drain Hoses

The rear water drain hoses run through the D-pillars and end in the rear wheel housings. Start cleaning from the wheelhousing outward, wheelhousing liner must be removed to do so.

