
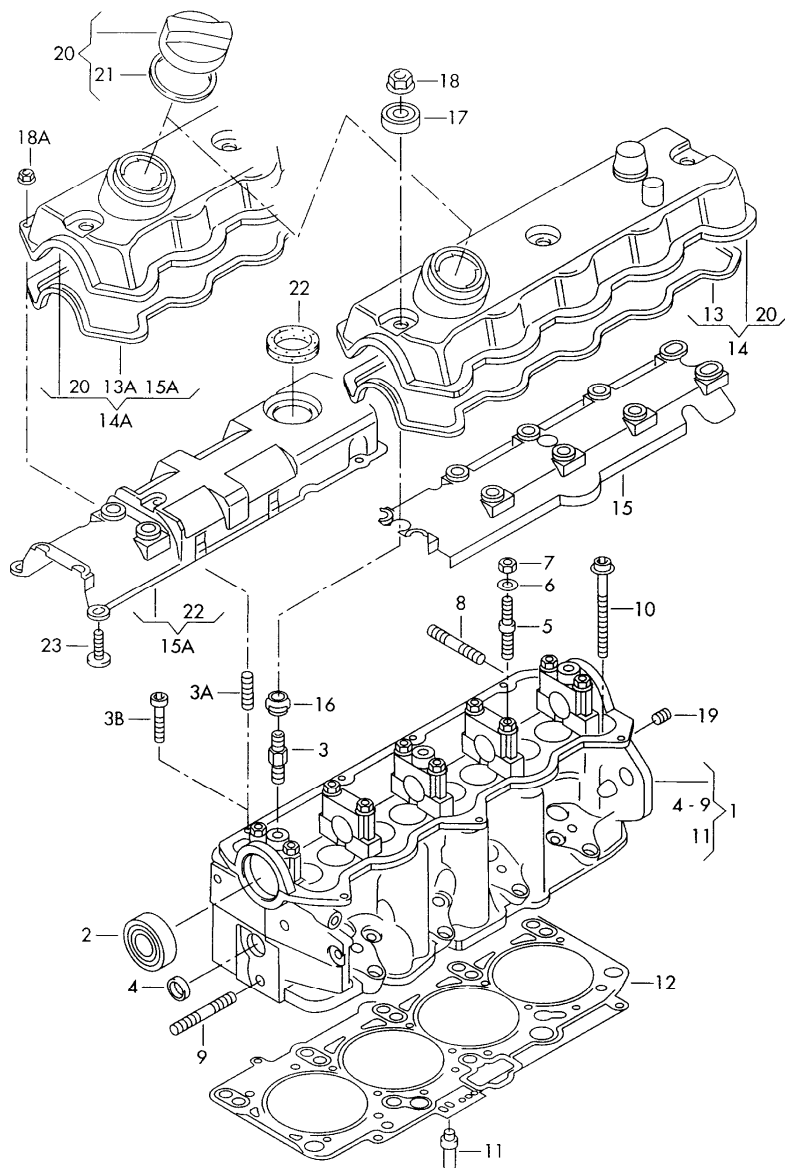


Model	Year	MG	SG	Illustration	Restrictions	UPD	14:45	09.05.2007		ETKA
JEM	1999	1	03	103-56	9M-X-000 001 >>	597	USA			



Pos	Part Number	Name	Remarks	Qty	Model
		cylinder head	1.9ltr.		diesel eng.+
		cylinder head cover			ALH
4	N 011 914 2	sealing cap	24	1	
(4)	N 011 914 3	sealing cap		1	
(4)	N 011 919 1	sealing cap	B25	X	
5	056 103 397	stud	M8X56	10	
6	+ N 011 558 11	washer	8,4X15X1,6	10	
7	+ N 011 008 8	hex. nut	M8	10	
8	N 901 889 02	stud	M8X35	8	
9	N 014 634 1	stud	M10AXM8X68-C	1	
10	068 103 384 A	screw, cheese hd.	M12X115	10	
11	037 103 419 B	valve guide	36,5MM/7MM	8	
12	b 038 103 383 H	cylinder head gasket	1,55MM 1 hole	1	
(12)	b 038 103 383 J	cylinder head gasket	1,63MM 2 holes	1	
(12)	b 038 103 383 K	cylinder head gasket	1,71MM 3 holes	1	
13A		not a spare part	replacement: 038 103 469 E		
14A	038 103 469 E	cylinder head cover		1	
15A	038 103 495	oil separator		1	
19	N 016 024 1	plug	M10X1	1	
(20)	06B 103 485 B	sealing cap		1	
21	b 06A 103 483 D	gasket		1	
22	b 038 103 487	gasket		1	