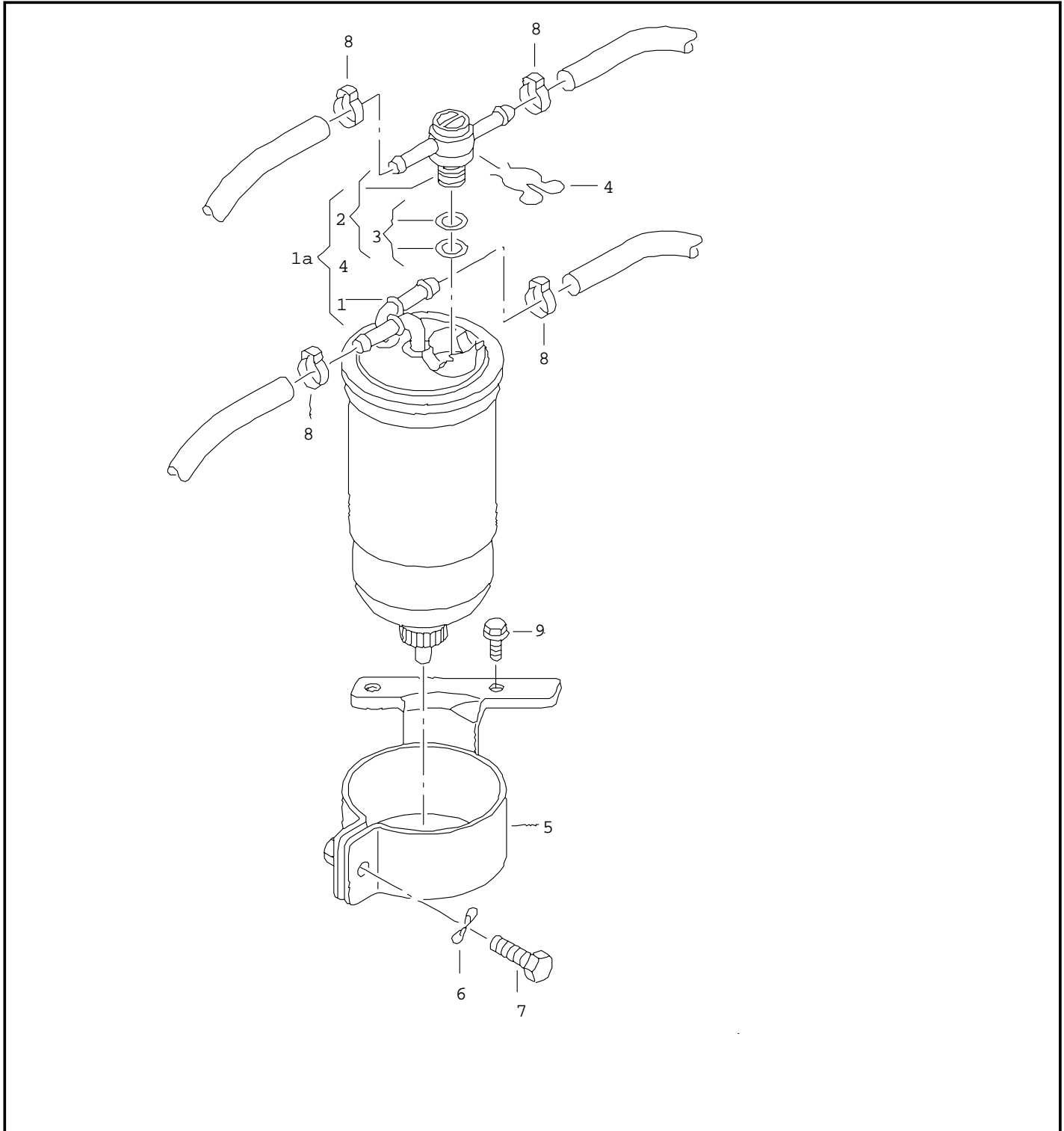




ETKA



Model	Year	MG:	SG:	Illustration	Restrictions	Update		
JEM	05	1	27	127-30	>> 9M-5-149 9	615	23:43	15.04.2005





ETKA



Model	Year	MG:	SG:	Illustration	Restrictions	Update		
JEM	05	1	27	127-30	>> 9M-5-149 9	615	23:43	15.04.2005

Pos	Part Number	Name	Remarks	Qty	Model
		fuel filter	1.9ltr.		diesel eng.: ALH, BEW
1	b 1J0 127 401 A	fuel filter		1	
2	1J0 127 247 A	valve		1	
3	1J0 198 247	1 set of round seals		1	
4	1J0 127 250	spring clip		1	
(5)	1J0 127 225 B	bracket for fuel filter		1	ALH
(5)	1M0 127 225	bracket for fuel filter		1	BEW
(7)	N 044 180 1	fillister hd. screw	M6X55	1	
8	N 102 922 01	spring clip	A14X12	4	
9	N 100 095 03	bolt, hex. hd. (combi.)	M6X18	2	
9	N 090 261 2	bolt, hex. hd. (combi.)	M6X20-Z1	1	BEW
		- - - E N D - - -			